



US00D983529S

(12) **United States Design Patent**
Choi et al.

(10) **Patent No.:** **US D983,529 S**
(45) **Date of Patent:** **** Apr. 18, 2023**

(54) **BRUSH HEAD**

(71) Applicant: **KONINKLIJKE PHILIPS N.V.**,
Eindhoven (NL)
(72) Inventors: **Seongwon Choi**, Bothell, WA (US);
Brendan John Hutchieson, Bothell,
WA (US)

(73) Assignee: **KONINKLIJKE PHILIPS N.V.**,
Eindhoven (NL)

(**) Term: **15 Years**

(21) Appl. No.: **29/767,008**

(22) Filed: **Jan. 20, 2021**

(51) **LOC (14) Cl.** **04-02**

(52) **U.S. Cl.**
USPC **D4/101**

(58) **Field of Classification Search**
USPC D4/100–138, 199; D24/176, 181, 152
(Continued)

(56) **References Cited**

U.S. PATENT DOCUMENTS

D653,035 S * 1/2012 Gebski D4/101
D688,045 S * 8/2013 Key D4/101
(Continued)

FOREIGN PATENT DOCUMENTS

CN 306584089 * 6/2021
CN 306725957 * 8/2021
CN 306790102 * 8/2021

OTHER PUBLICATIONS

Brushmo Brush, announced Oct. 2020 [online], [site visited Jan. 31, 2022]. Available from internet, URL: <https://www.amazon.com/Brushmo-Replacement-Toothbrush-Compatible-Phillips/dp/B08L5KXK9P/> (Year: 2020).*

(Continued)

Primary Examiner — Cynthia Ramirez
Assistant Examiner — Tamara L Hahn

(57) **CLAIM**

The ornamental design for a brush head, as shown and described.

DESCRIPTION

FIG. 1 is a perspective view showing a brush head design; FIG. 2 is a front elevational view thereof; FIG. 3 is a rear elevational view thereof; FIG. 4 is a right side elevational view thereof; FIG. 5 is a left side elevational view thereof; FIG. 6 is a top plan view thereof; FIG. 7 is a bottom plan view thereof; FIG. 8 is a perspective view showing a brush head design; FIG. 9 is a front elevational view thereof; FIG. 10 is a rear elevational view thereof; FIG. 11 is a right side elevational view thereof; FIG. 12 is a left side elevational view thereof; FIG. 13 is a top plan view thereof; FIG. 14 is a bottom plan view thereof; FIG. 15 is a perspective view showing a brush head design; FIG. 16 is a front elevational view thereof; FIG. 17 is a rear elevational view thereof; FIG. 18 is a right side elevational view thereof; FIG. 19 is a left side elevational view thereof; FIG. 20 is a top plan view thereof; FIG. 21 is a bottom plan view thereof; FIG. 22 is a perspective view showing a brush head design; FIG. 23 is a front elevational view thereof; FIG. 24 is a rear elevational view thereof; FIG. 25 is a right side elevational view thereof; FIG. 26 is a left side elevational view thereof; FIG. 27 is a top plan view thereof; FIG. 28 is a bottom plan view thereof; FIG. 29 is a perspective view showing a brush head design; FIG. 30 is a front elevational view thereof; FIG. 31 is a rear elevational view thereof; FIG. 32 is a right side elevational view thereof; FIG. 33 is a left side elevational view thereof; FIG. 34 is a top plan view thereof; FIG. 35 is a bottom plan view thereof;

(Continued)

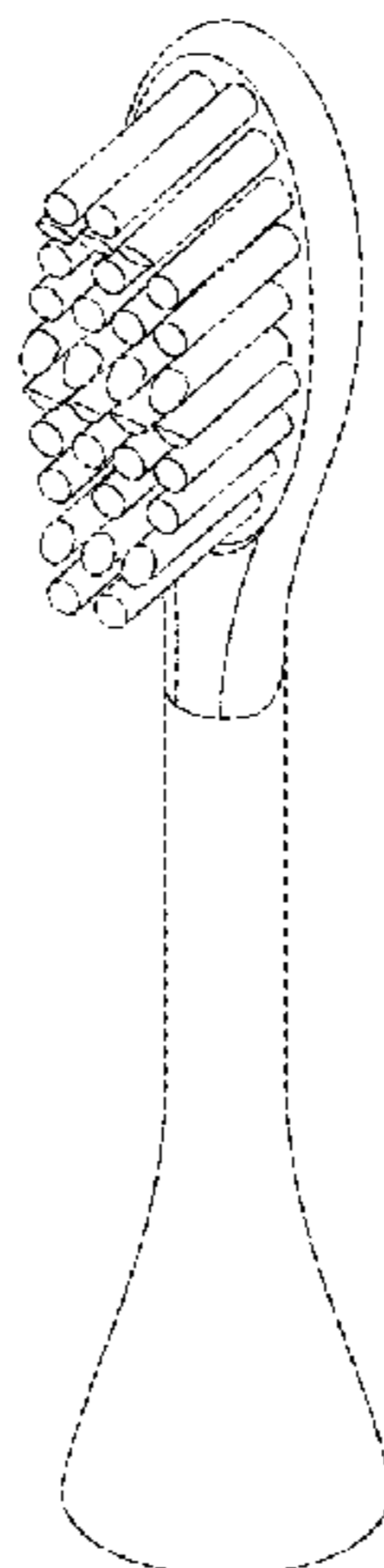


FIG. 36 is a perspective view showing a brush head design;
 FIG. 37 is a front elevational view thereof;
 FIG. 38 is a rear elevational view thereof;
 FIG. 39 is a right side elevational view thereof;
 FIG. 40 is a left side elevational view thereof;
 FIG. 41 is a top plan view thereof; and,
 FIG. 42 is a bottom plan view thereof.
 The broken lines in the drawings depict portions of the brush head that form no part of the claimed design.

D805,306 S *	12/2017	Massee	D4/101
D919,301 S *	5/2021	Zhao	D4/101
D935,192 S *	11/2021	He	D4/101
D935,193 S *	11/2021	He	D4/101
D949,573 S *	4/2022	Zhao	D4/111
D953,748 S *	6/2022	Liao	D4/110
D960,581 S *	8/2022	Hallein	D4/101

1 Claim, 12 Drawing Sheets

(58) **Field of Classification Search**

CPC A46B 2200/1066; A46B 2200/1073; A46B
 2200/1086; A46B 2200/3093; A46B
 5/0095; A46B 13/023; A46B 9/04; A61C
 17/16; A61C 17/222

See application file for complete search history.

(56) **References Cited**

U.S. PATENT DOCUMENTS

D747,609 S *	1/2016	Watkins	D4/101
D794,336 S *	8/2017	Zavalloni	D4/101

OTHER PUBLICATIONS

Apical Brush, announced Oct. 2021 [online], [site visited Jan. 31,

2022]. Available from internet, URL: <https://www.amazon.com/>

Replacement-Toothbrush-Compatible-Rechargeable-Precision/dp/

B09H5Q3MWB/ (Year: 2021).*

Top the Way Brush, announced Aug. 2018 [online], [site visited Jan.

31, 2022]. Available from internet, URL: <https://www.amazon.com/>

dp/B078RFTG46/ (Year: 2018).*

* cited by examiner

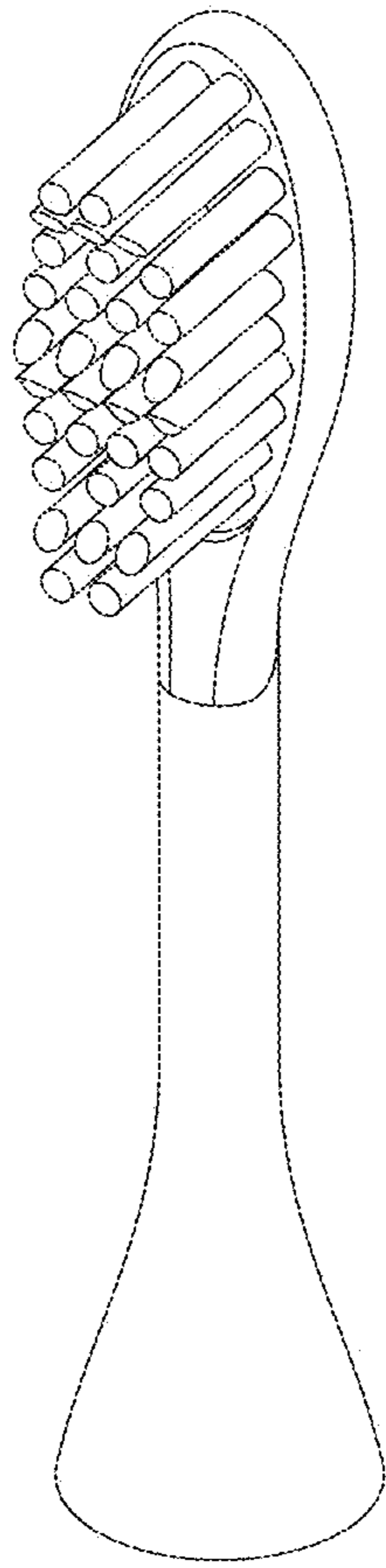


FIG. 1

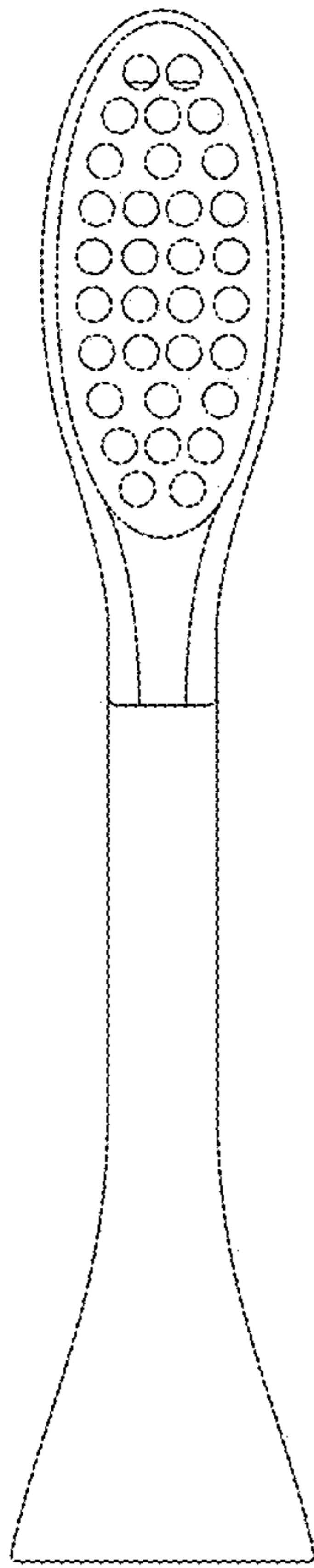


FIG. 2

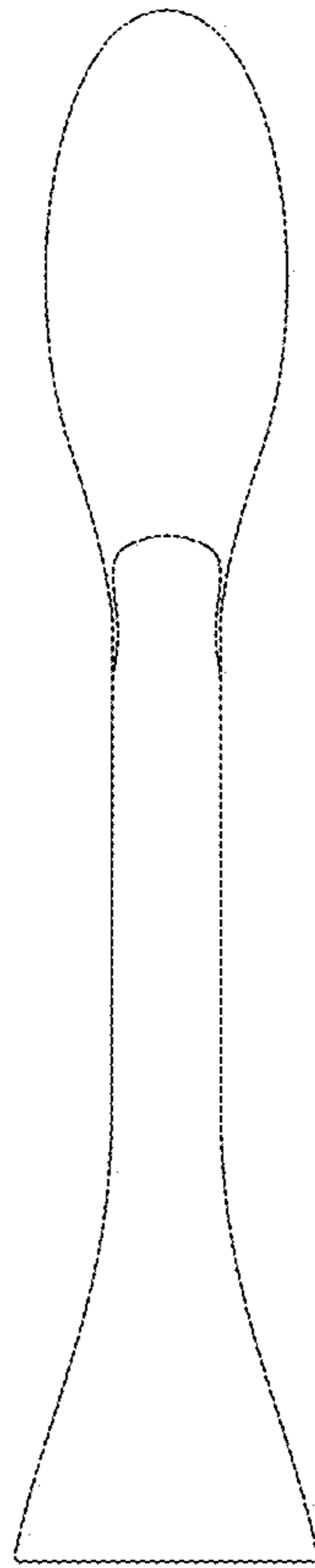


FIG. 3

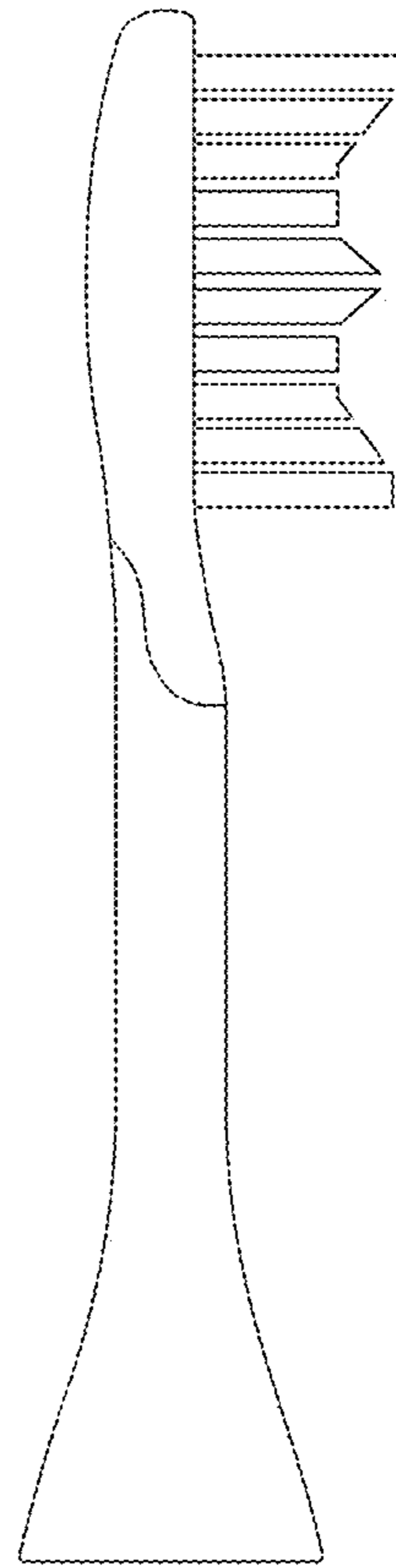


FIG. 4

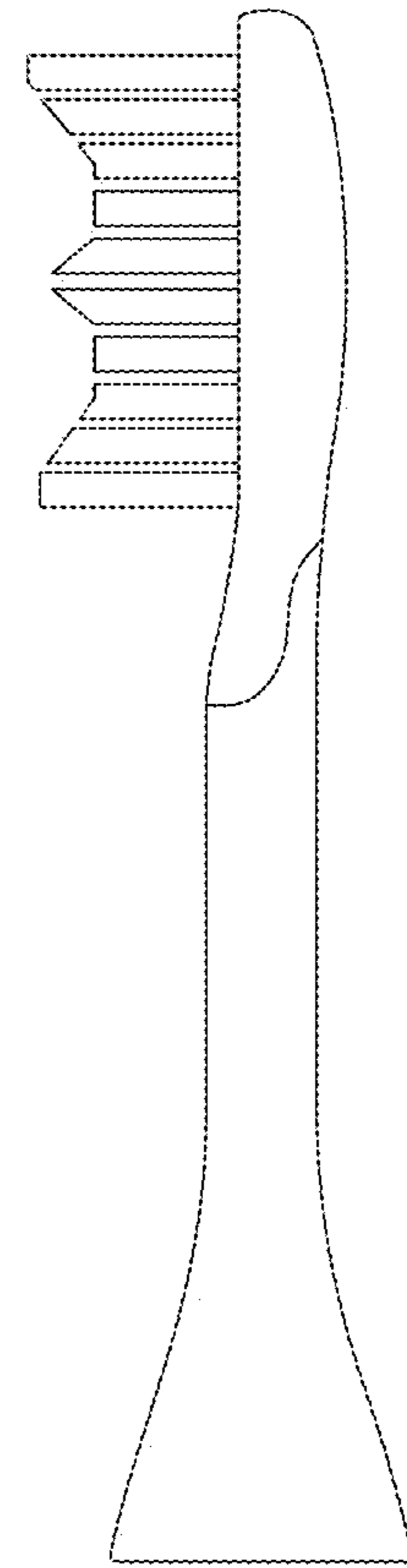


FIG. 5

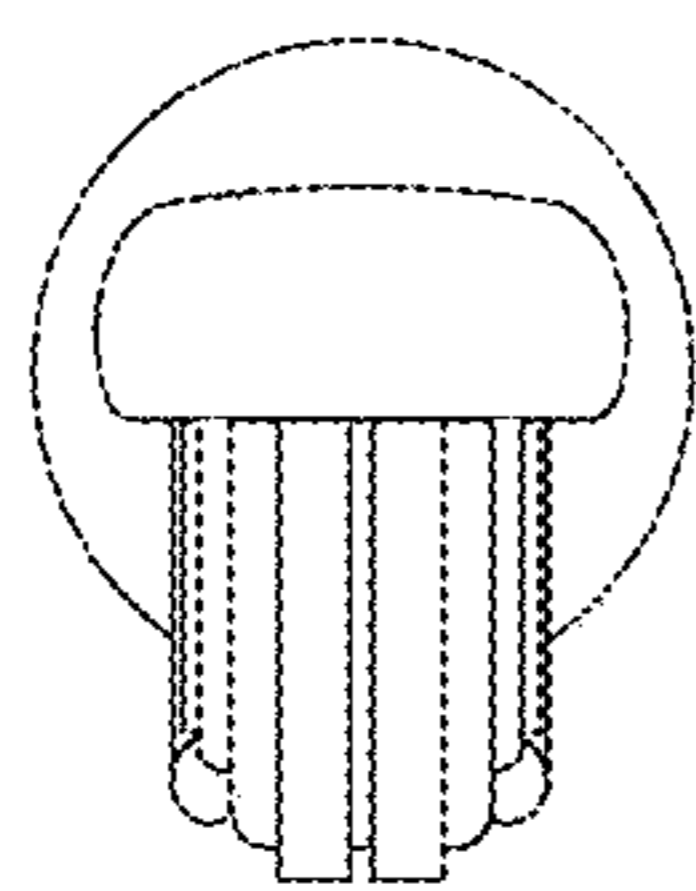


FIG. 6

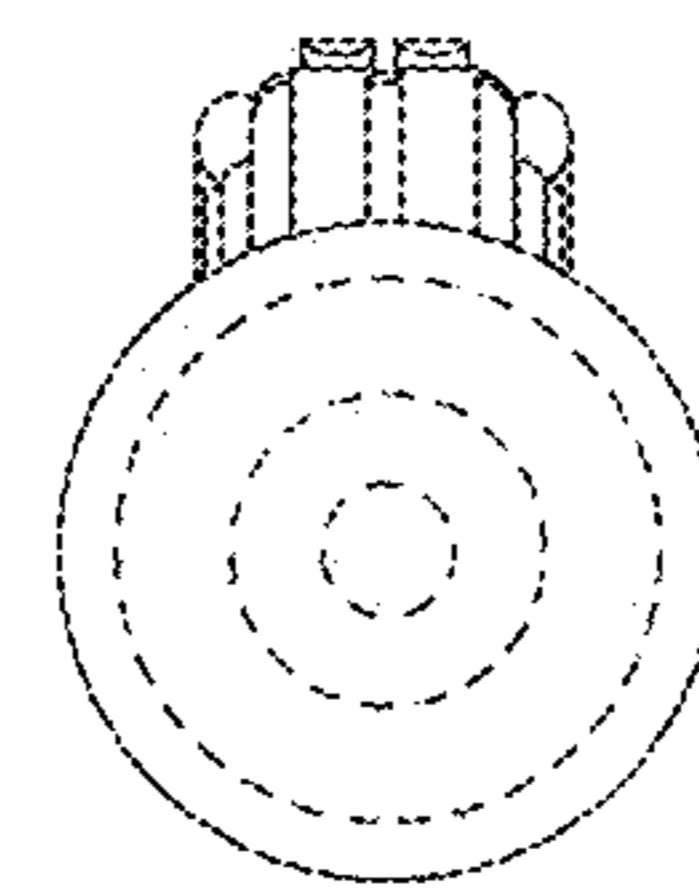


FIG. 7

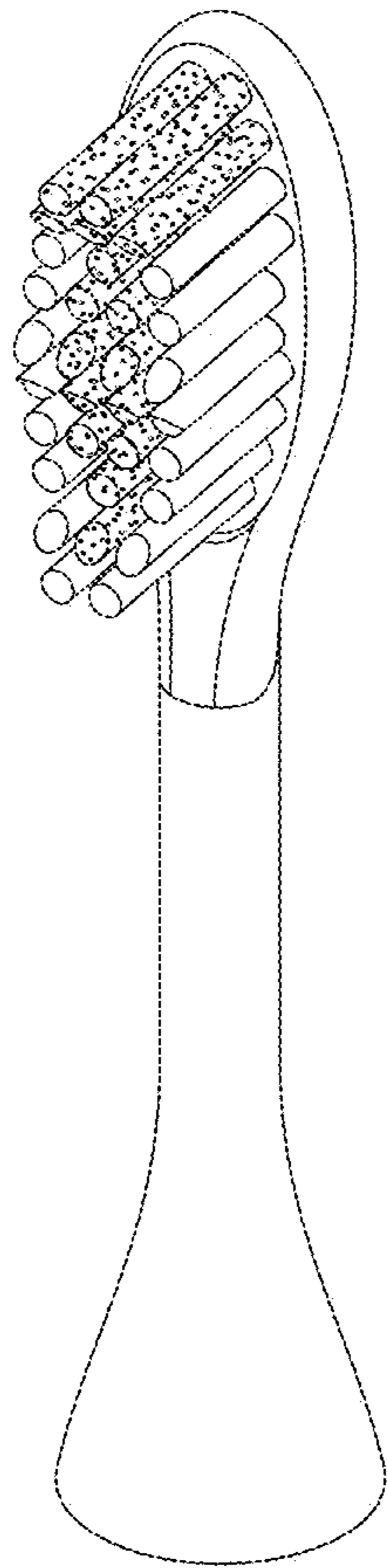


FIG. 8

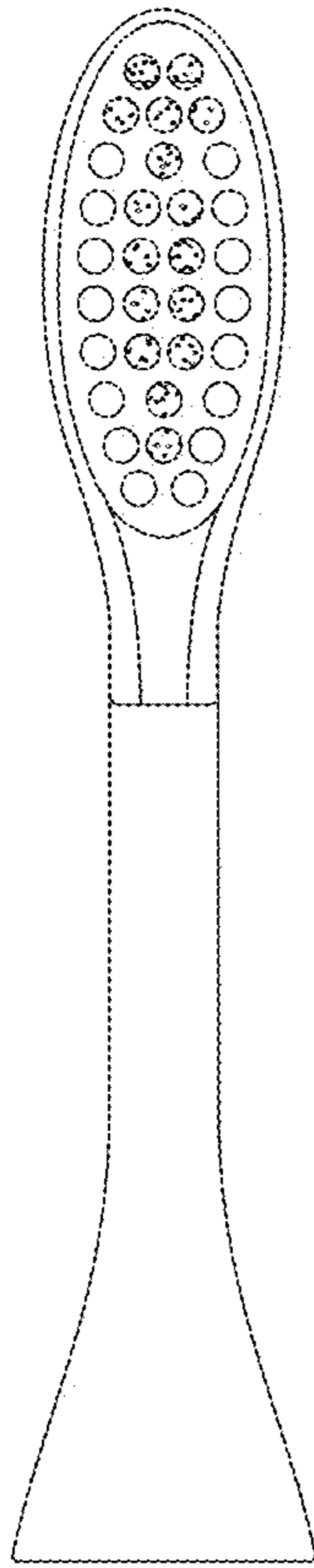


FIG. 9

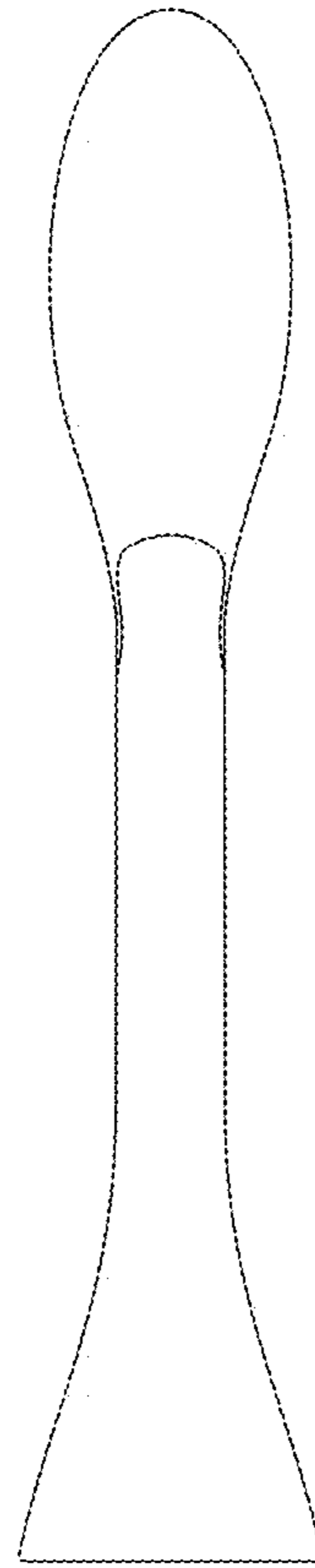


FIG. 10

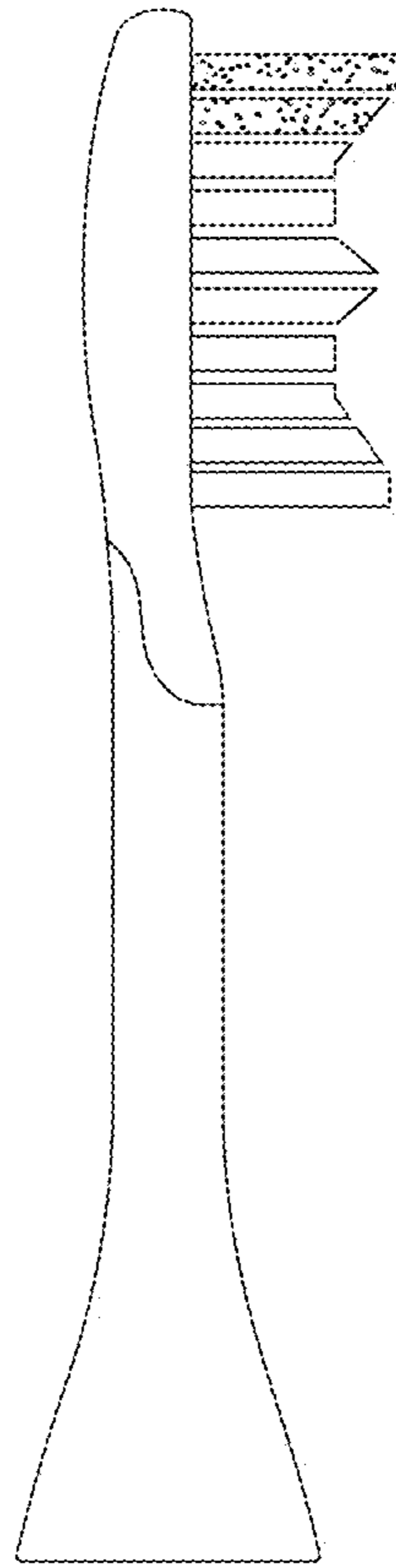


FIG. 11

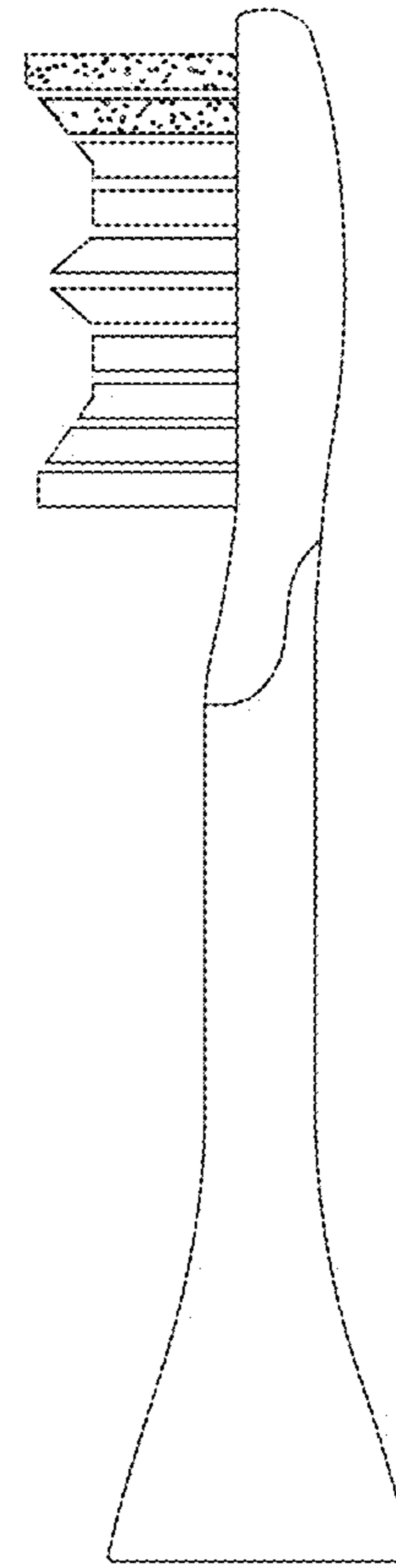


FIG. 12

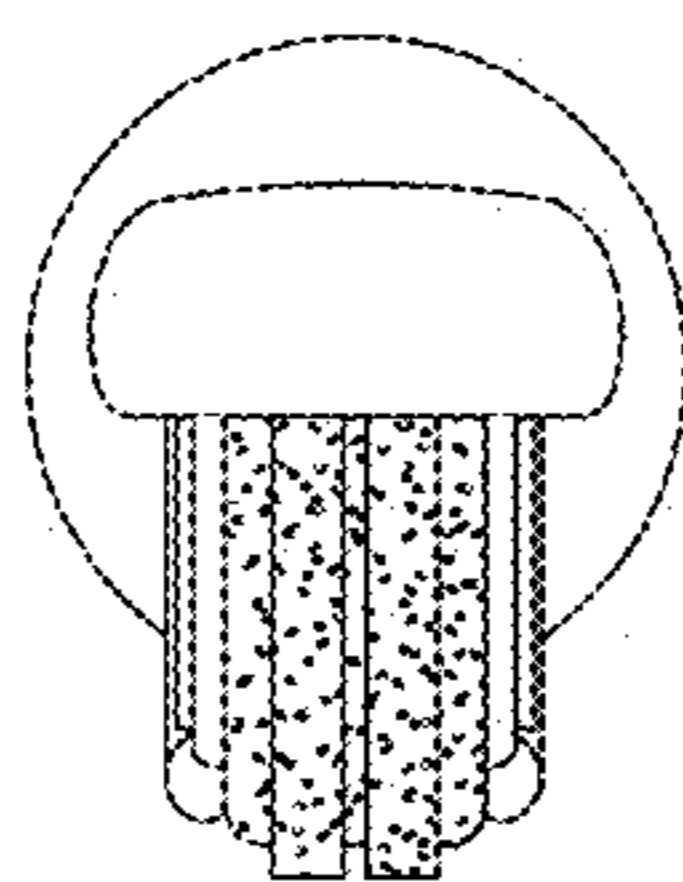


FIG. 13

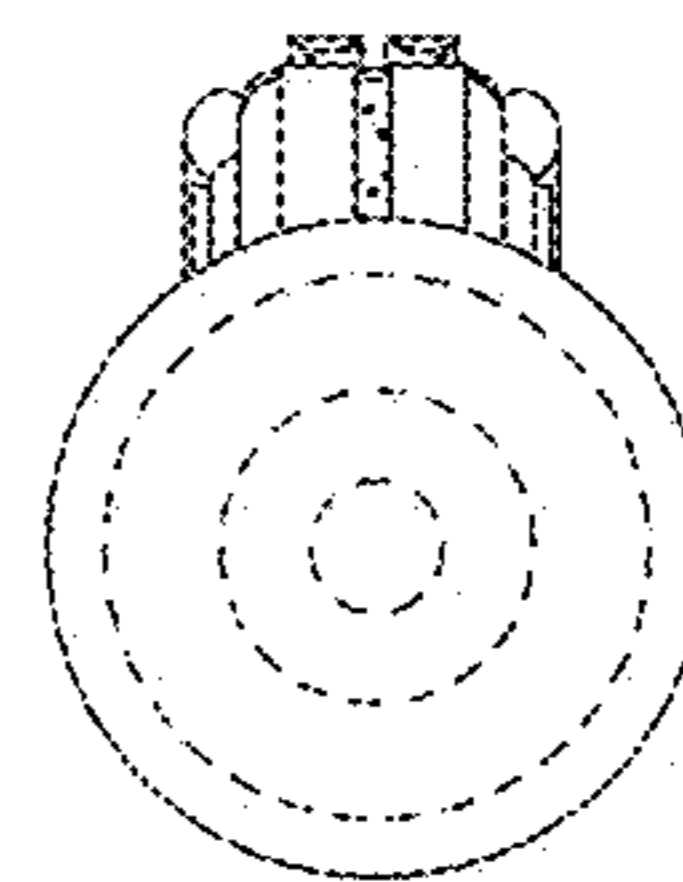


FIG. 14

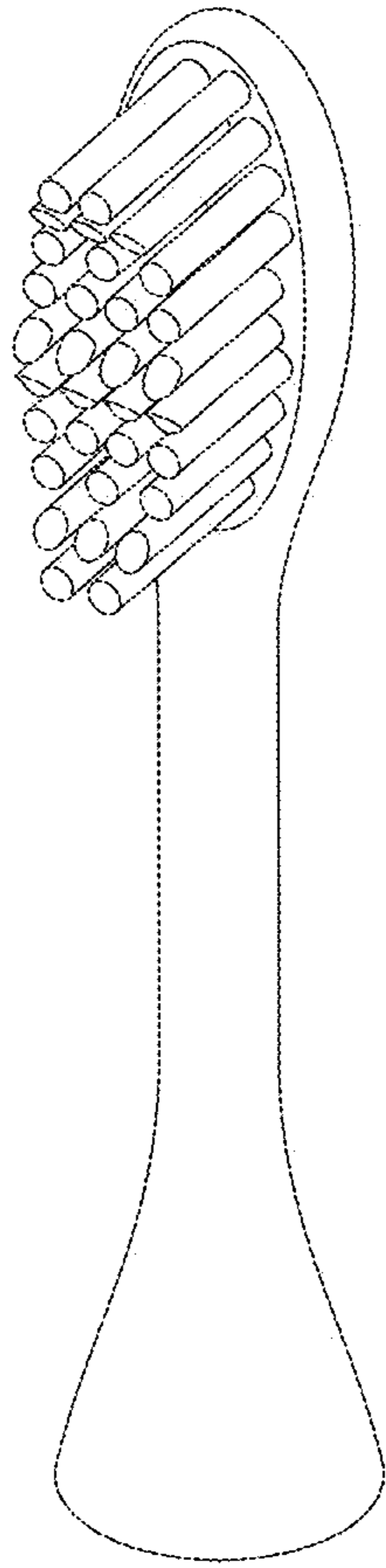


FIG. 15

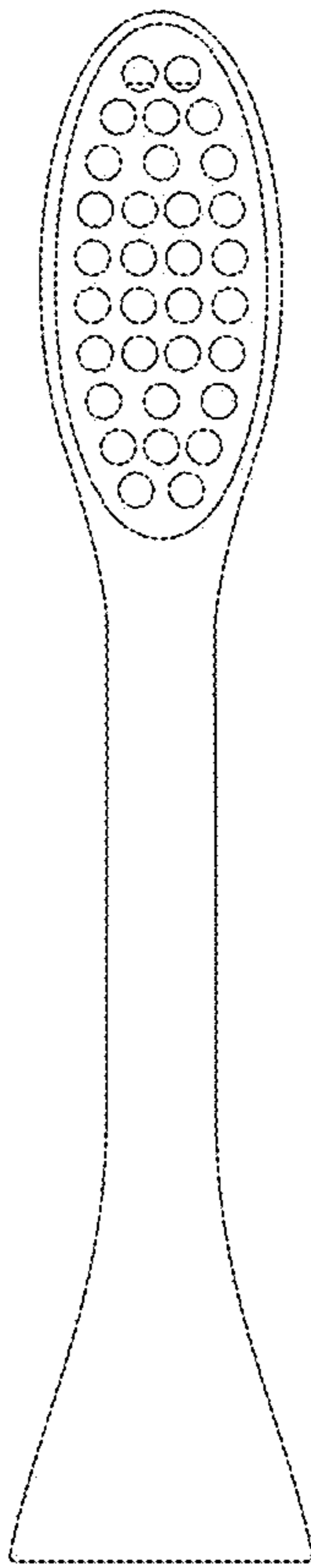


FIG. 16

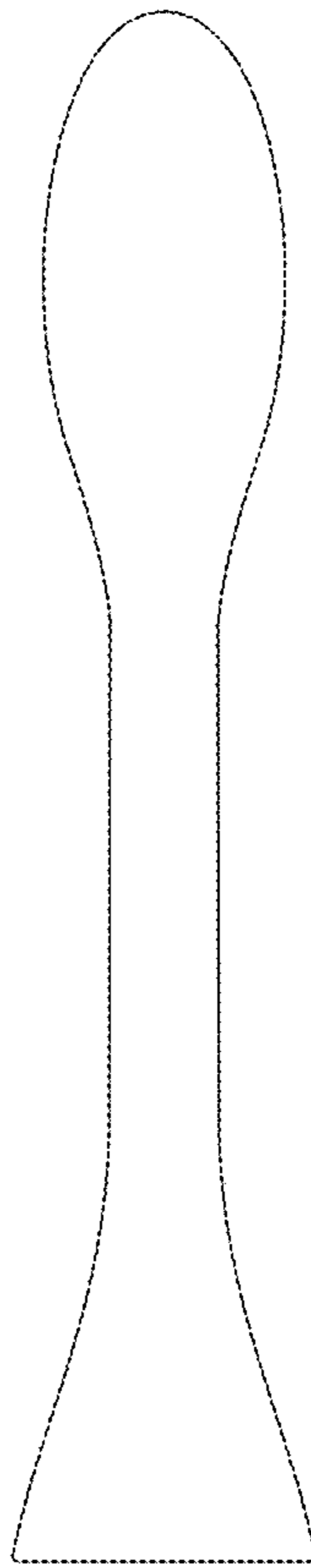


FIG. 17

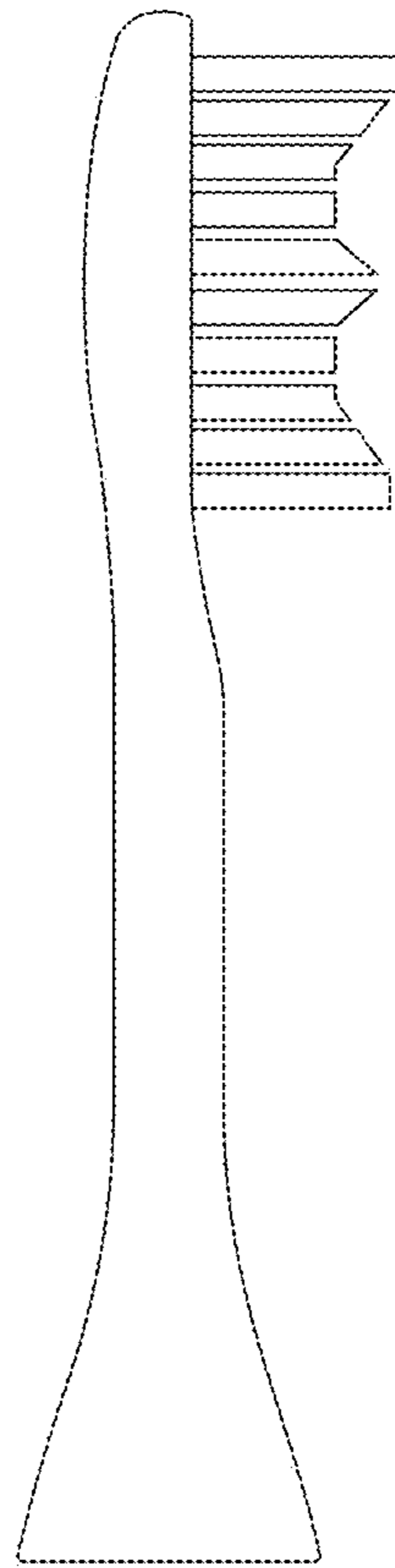


FIG. 18

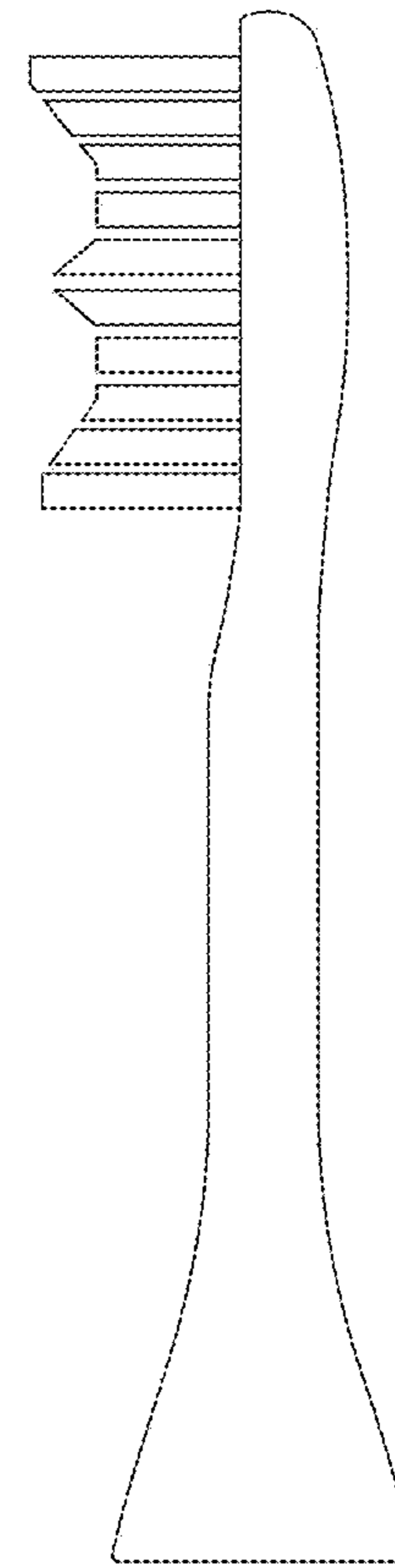


FIG. 19

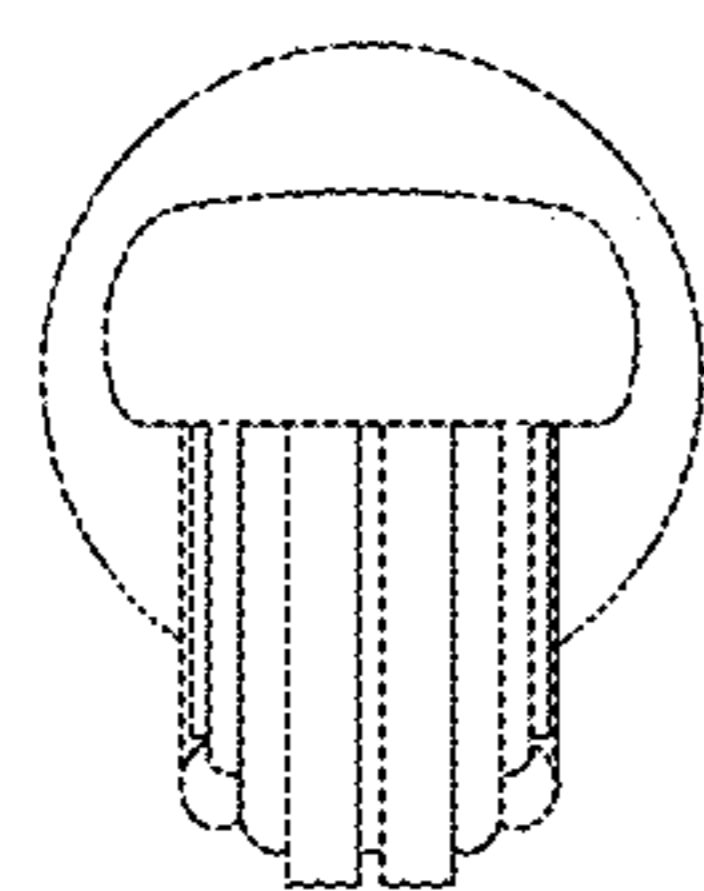


FIG. 20

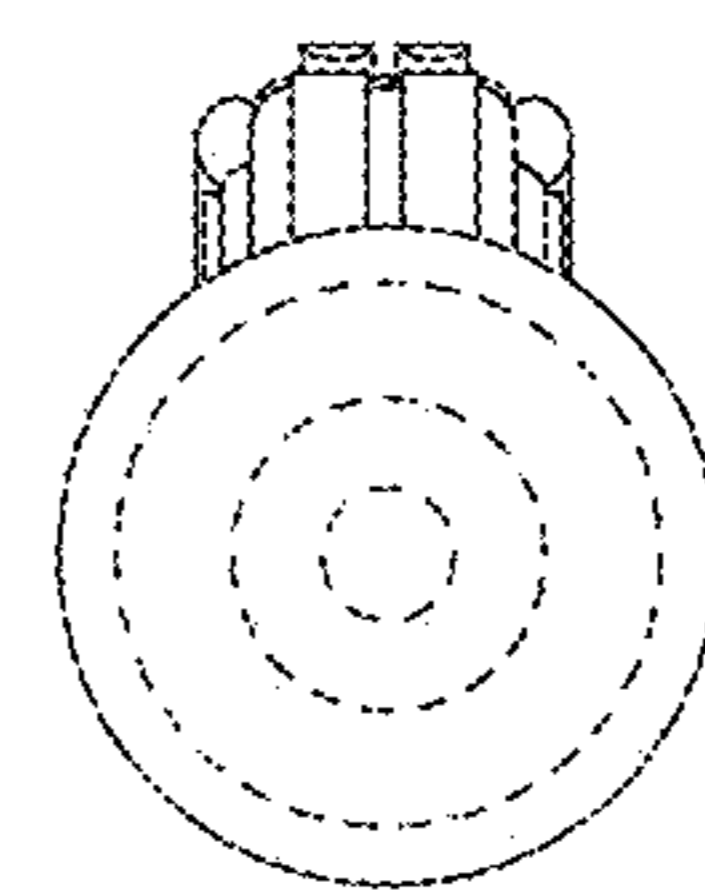


FIG. 21

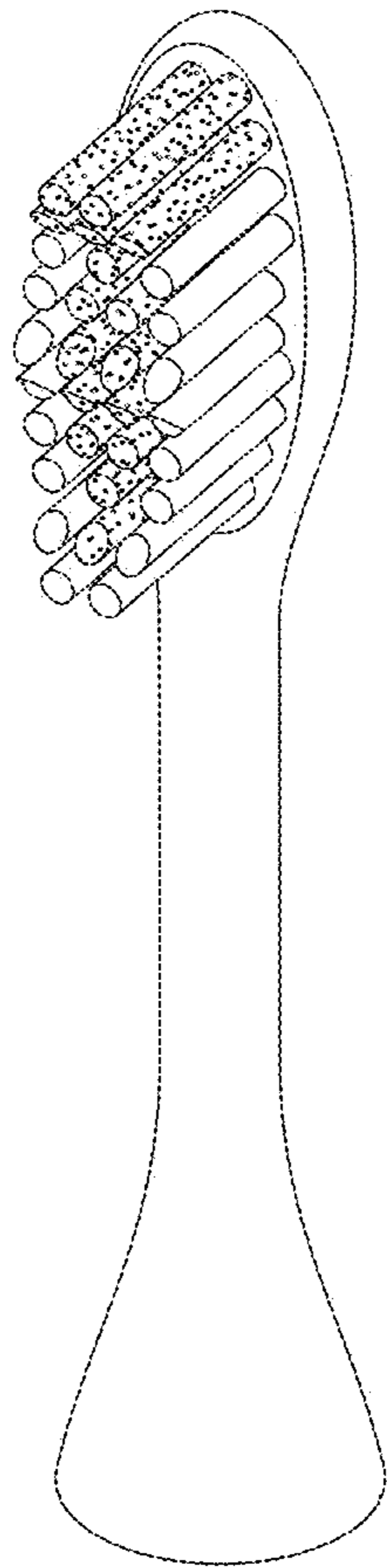


FIG. 22

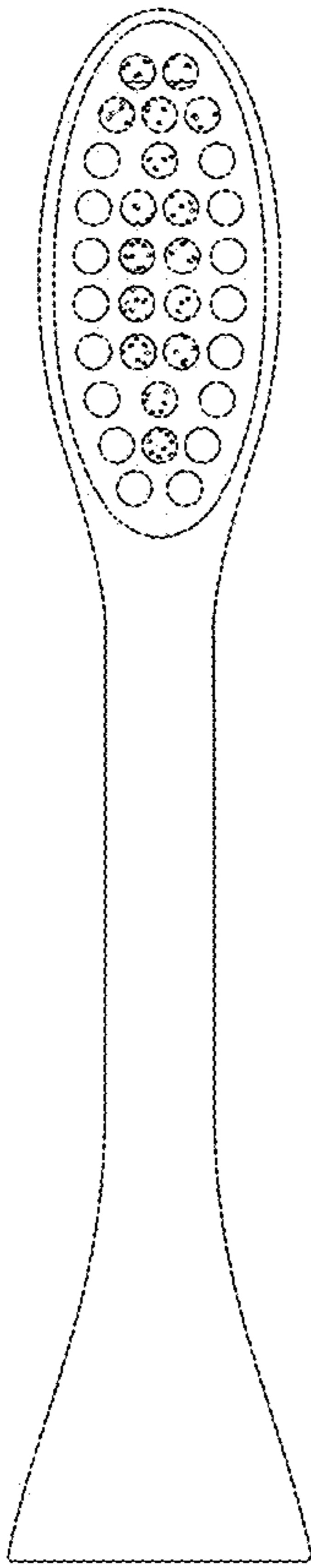


FIG. 23

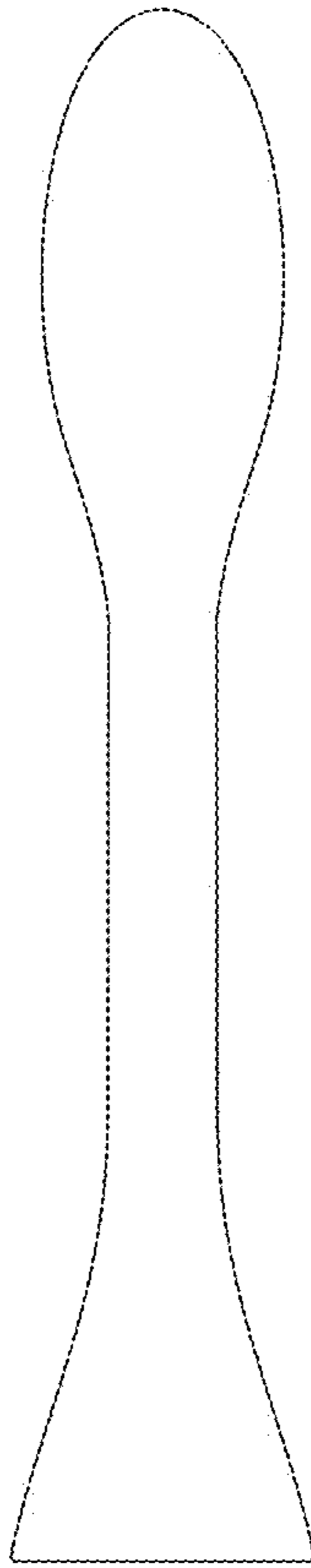


FIG. 24

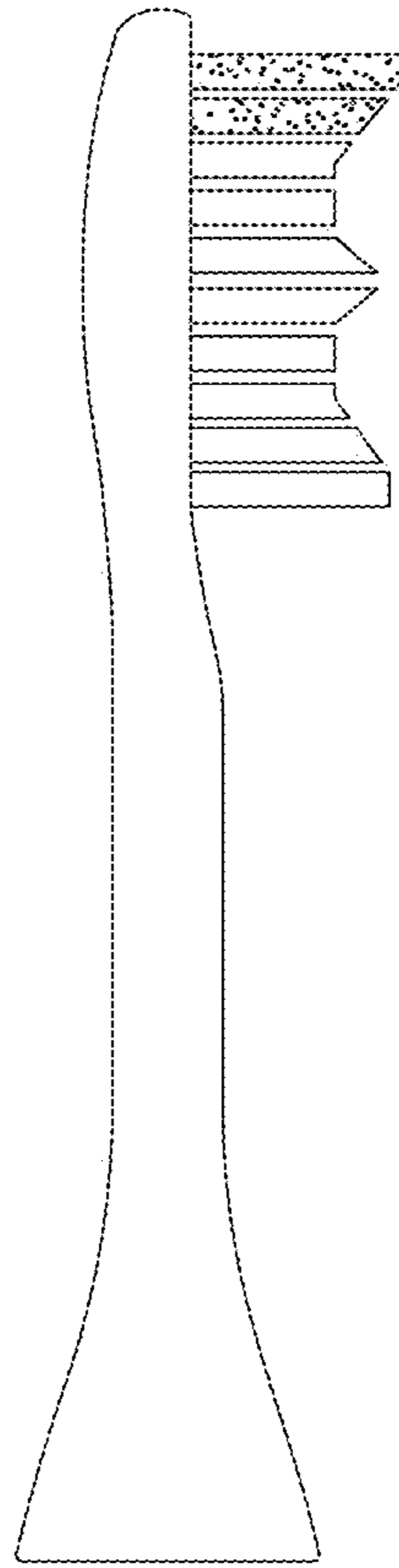


FIG. 25

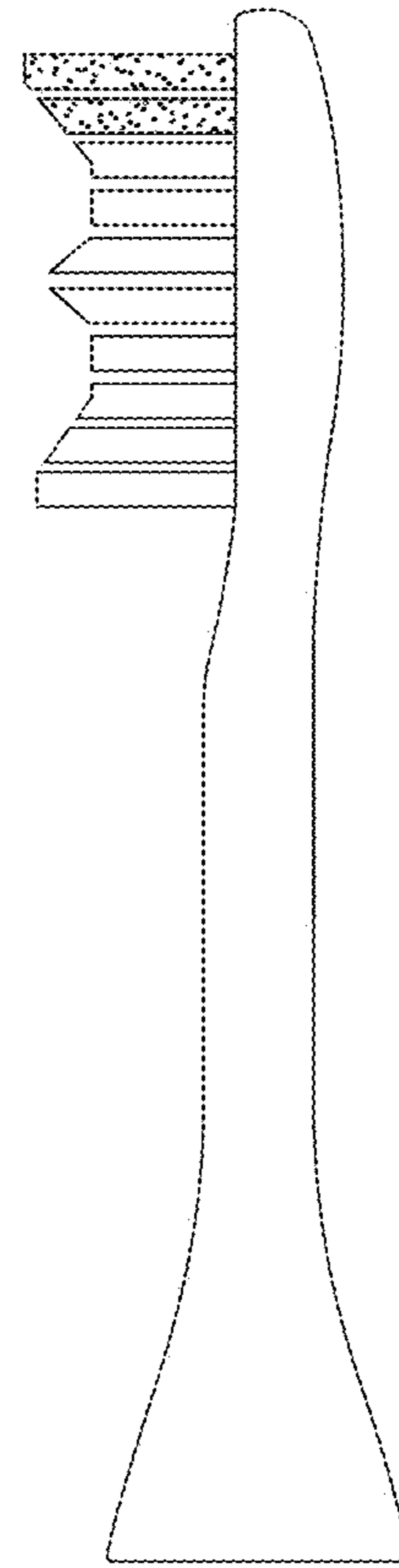


FIG. 26

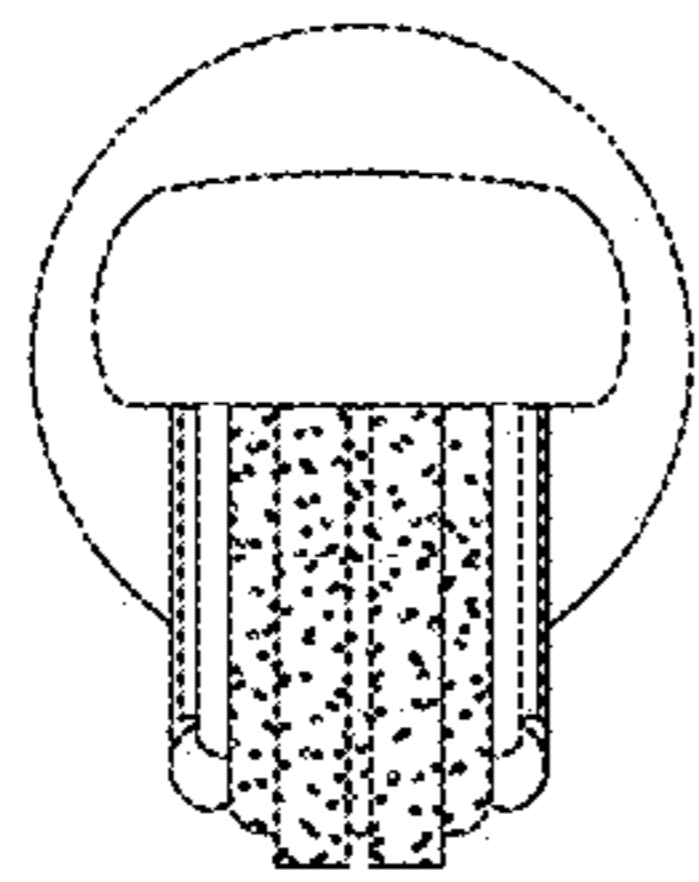


FIG. 27

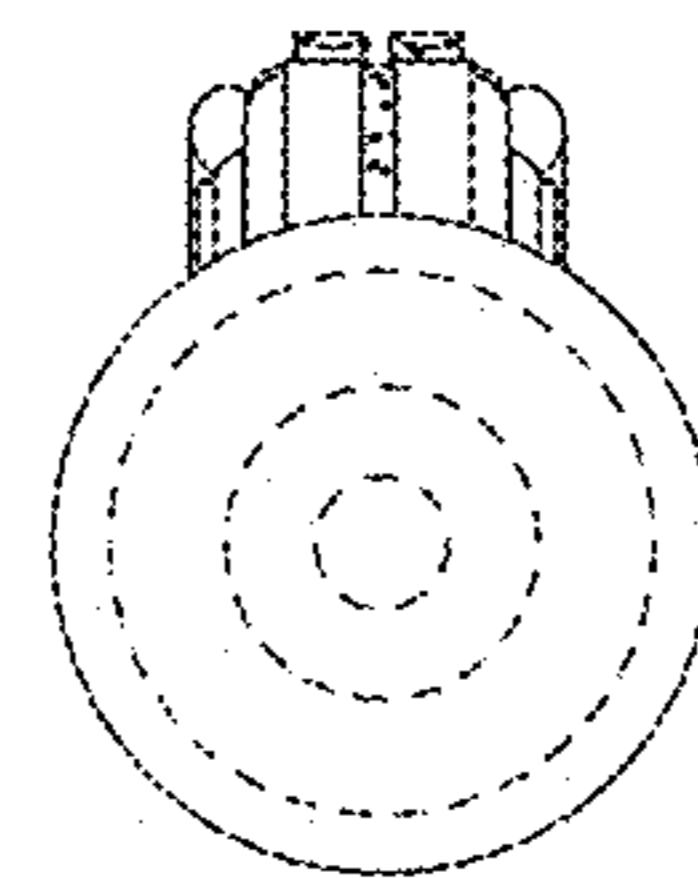


FIG. 28

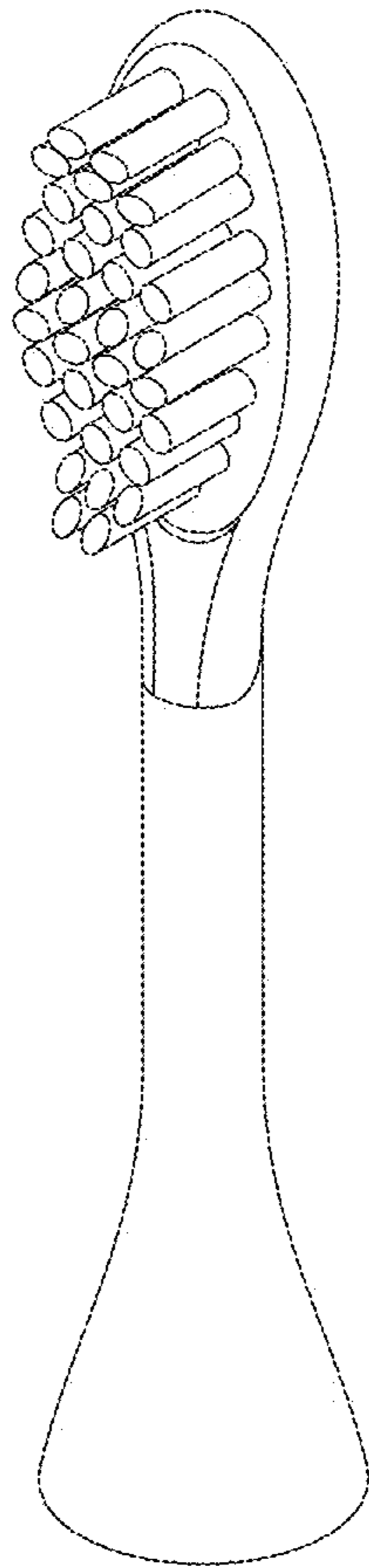


FIG. 29

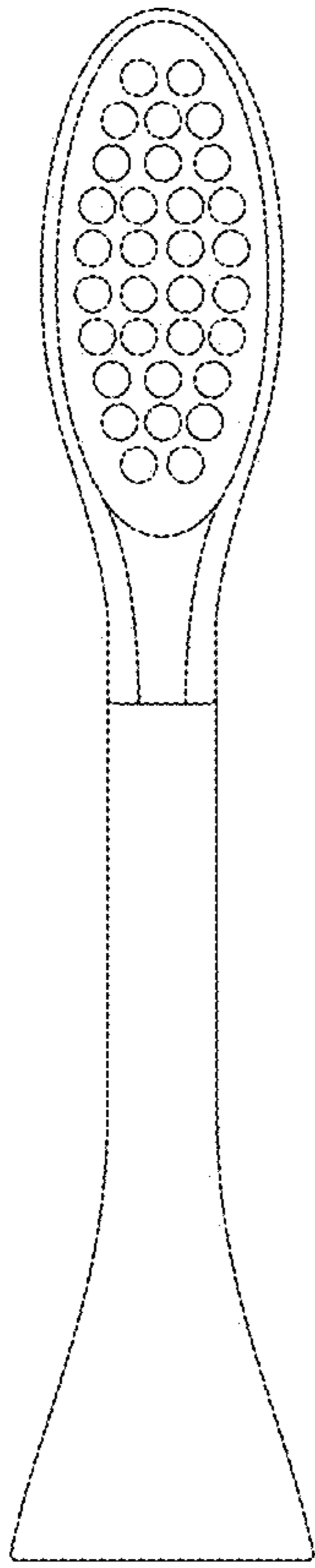


FIG. 30

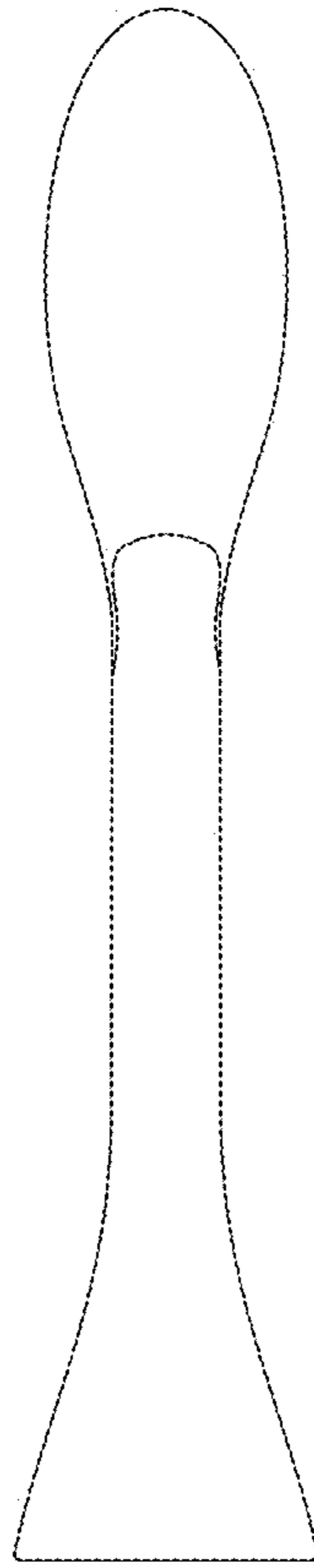


FIG. 31

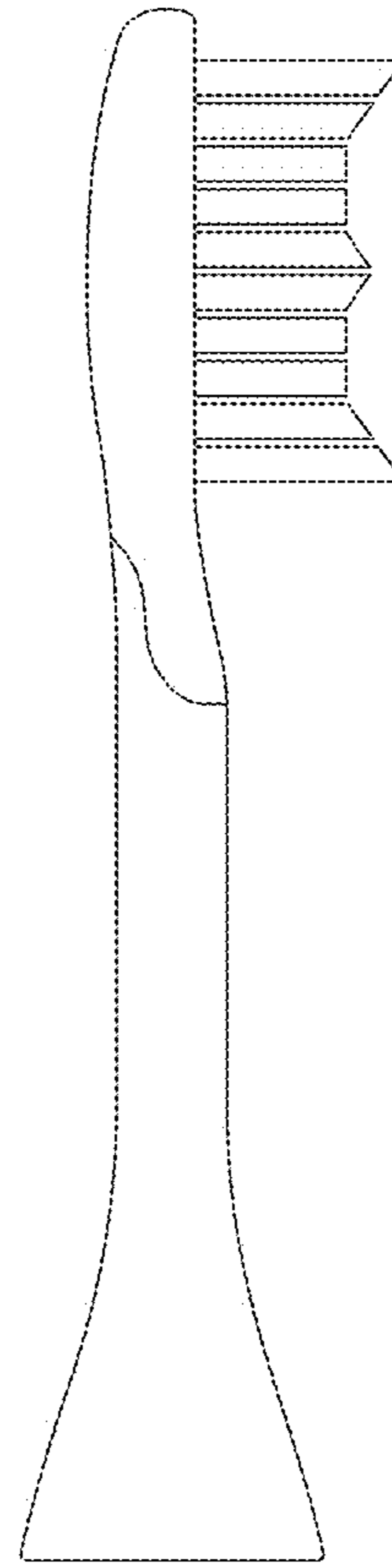


FIG. 32

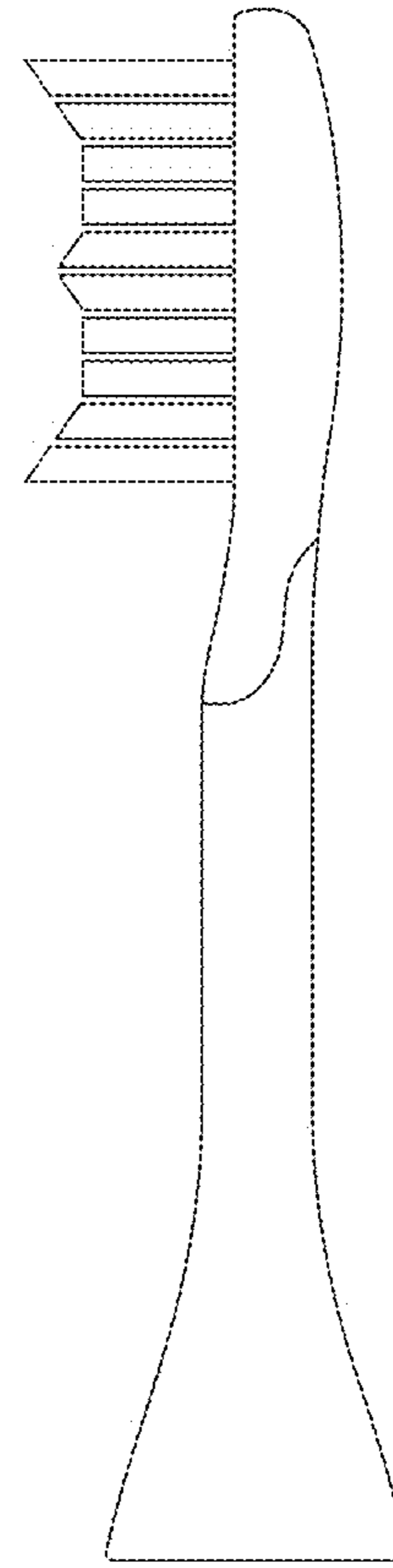


FIG. 33

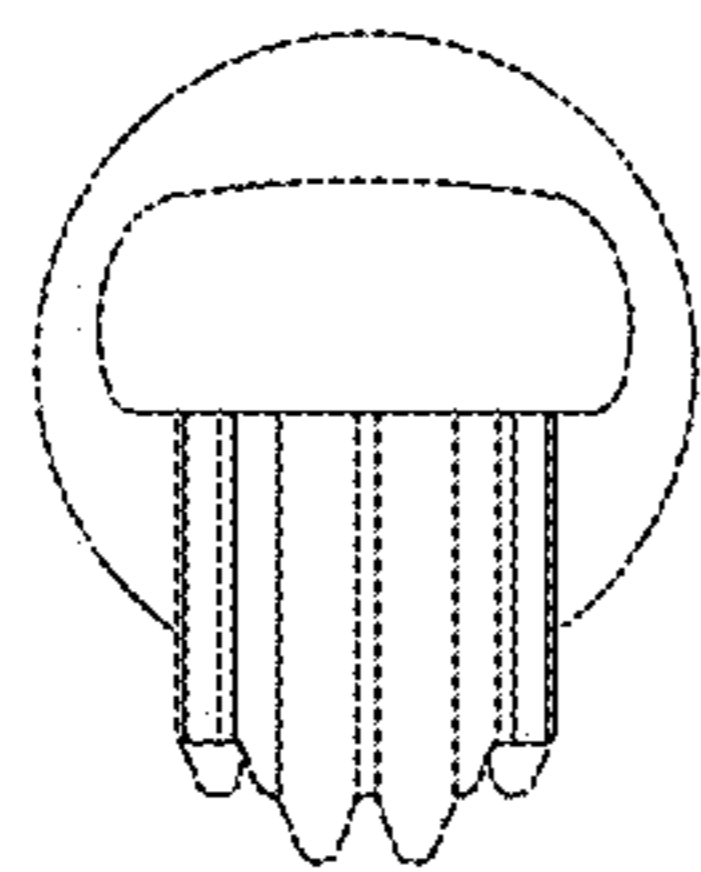


FIG. 34

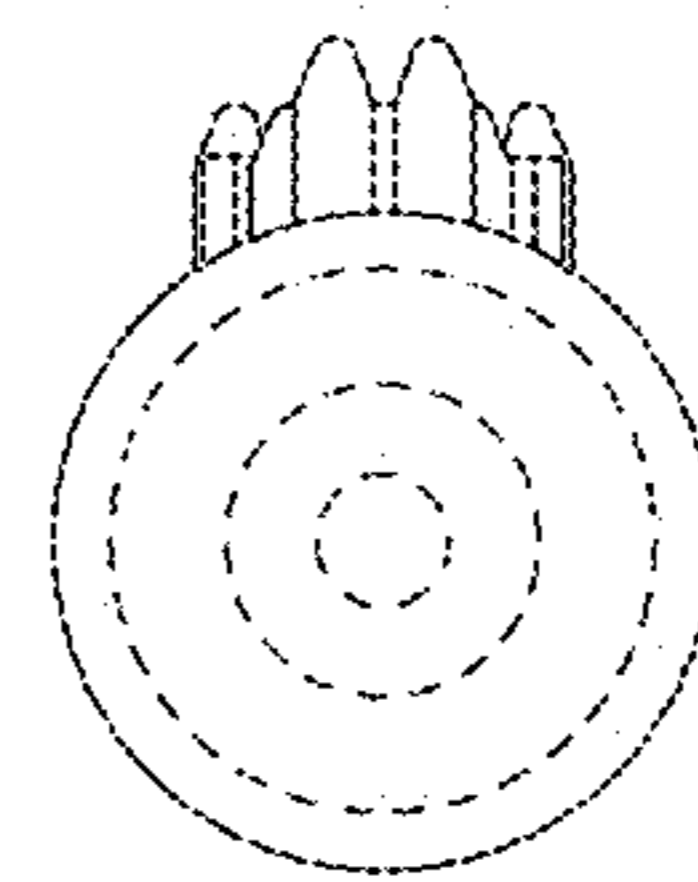


FIG. 35

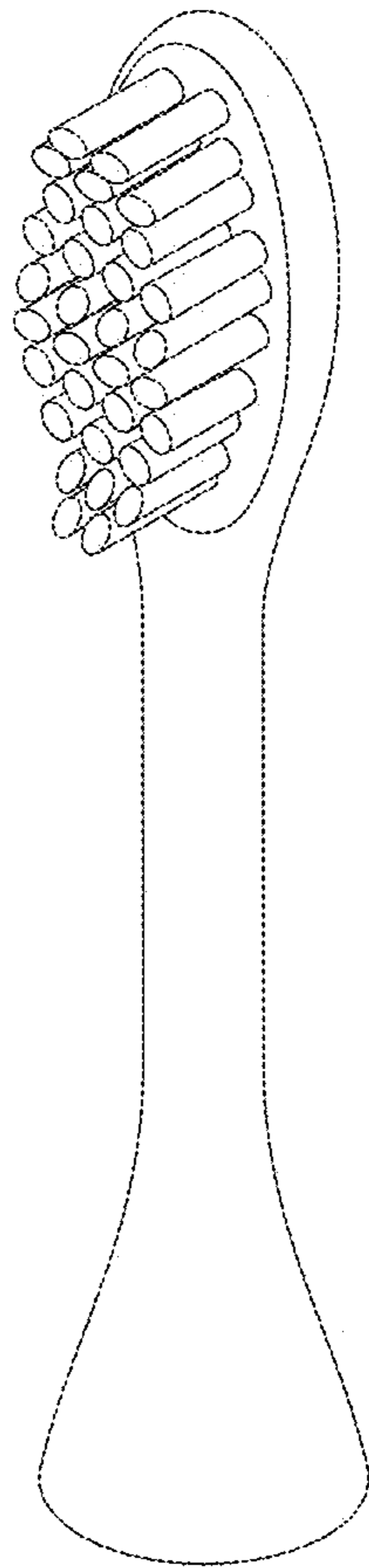


FIG. 36

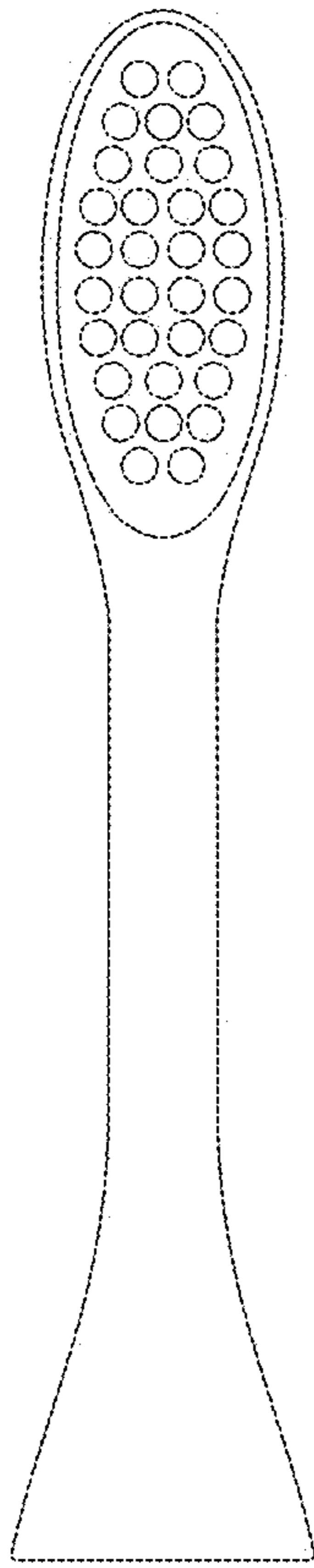


FIG. 37

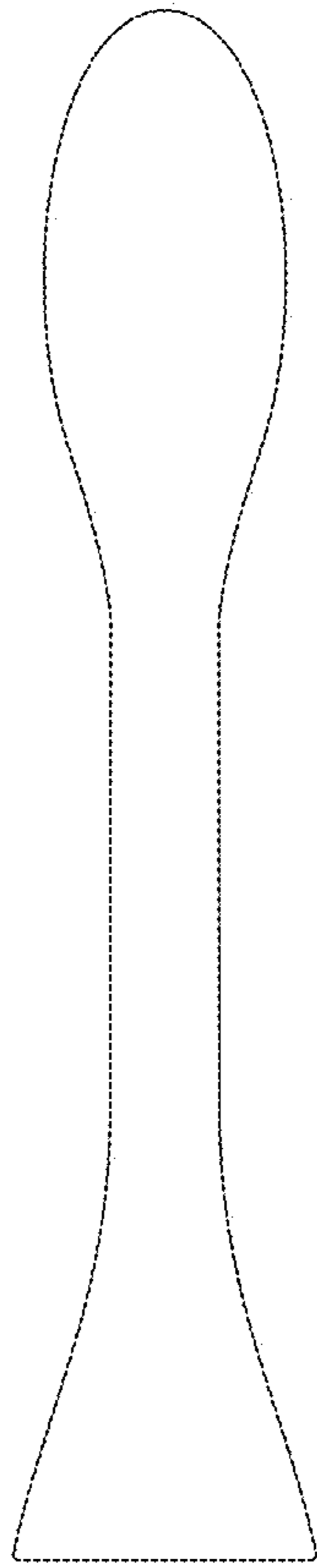


FIG. 38

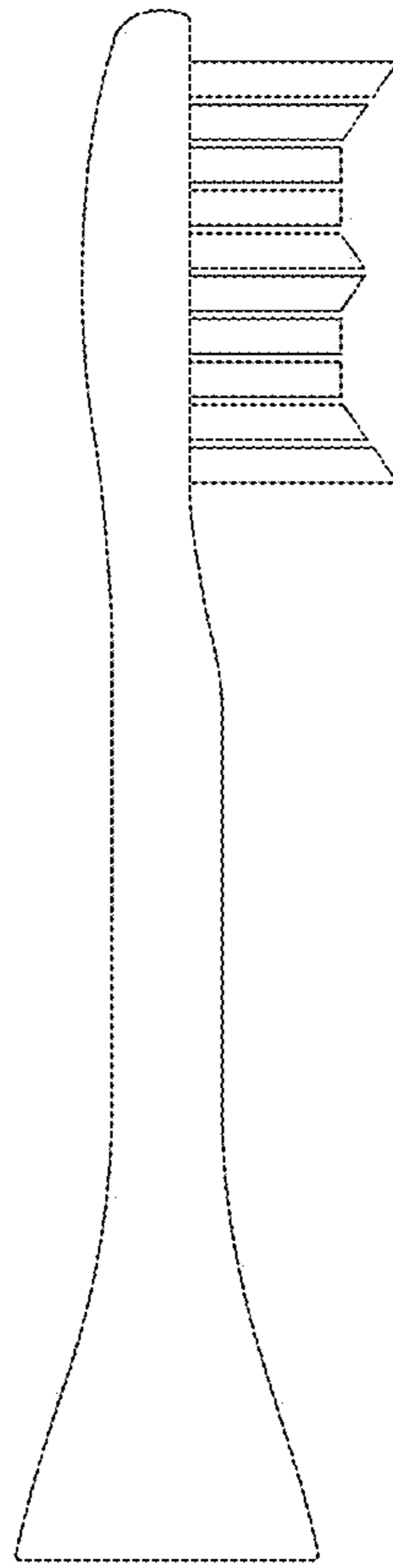


FIG. 39

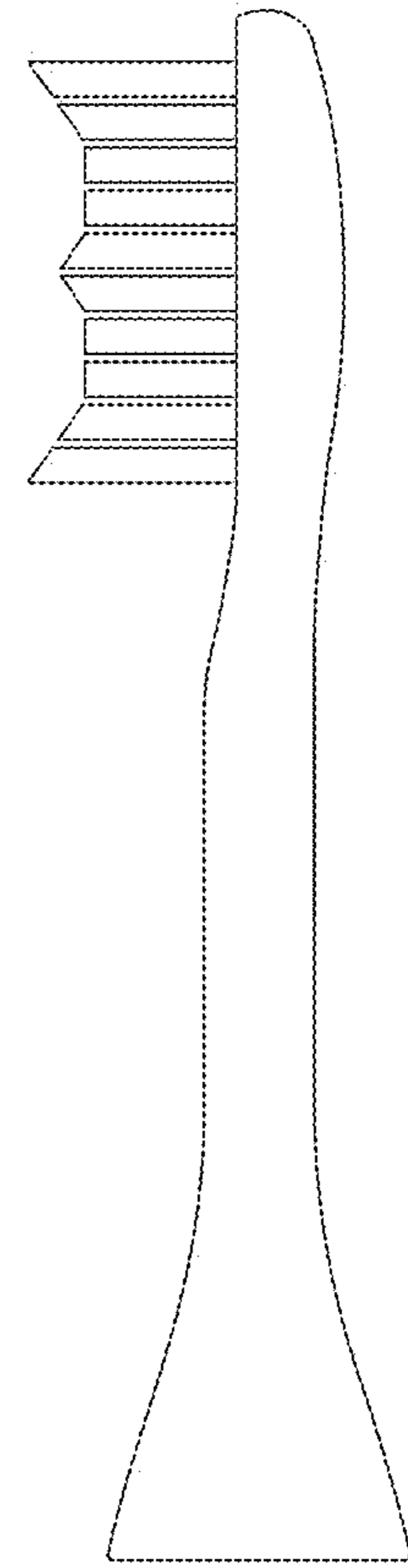


FIG. 40

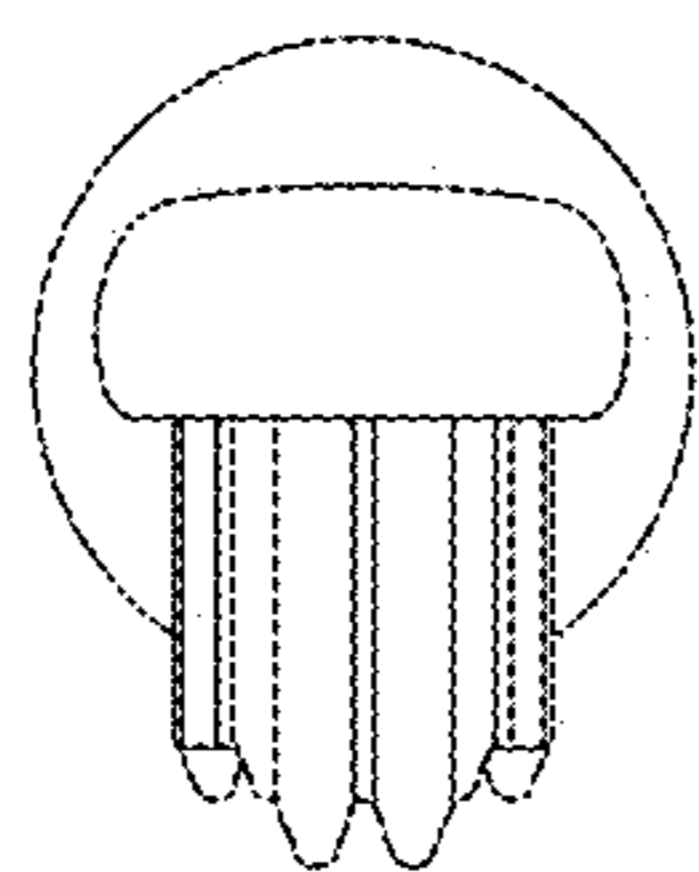


FIG. 41

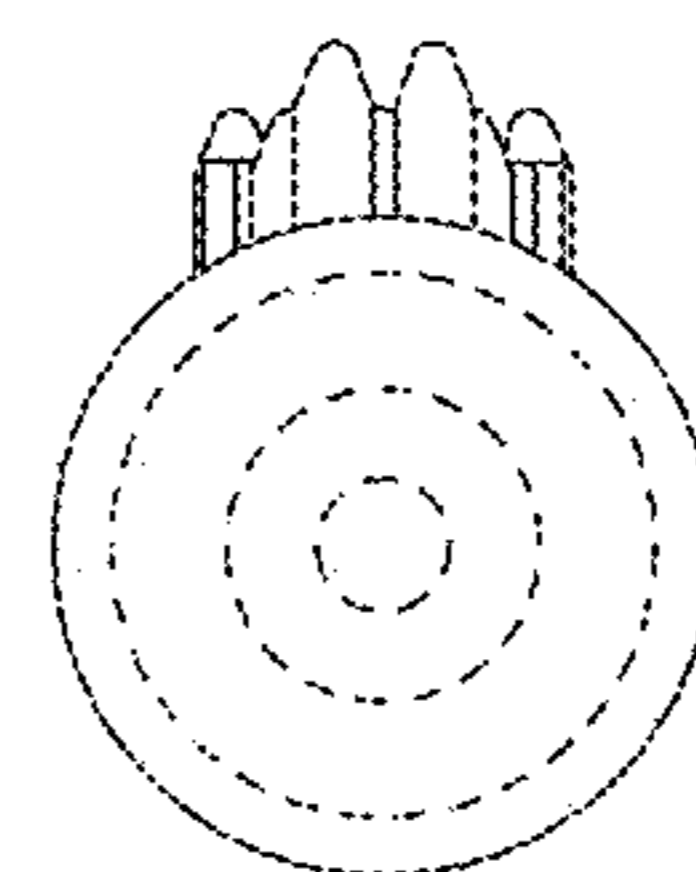


FIG. 42