



US00D983527S

(12) **United States Design Patent**
Huang

(10) **Patent No.:** **US D983,527 S**

(45) **Date of Patent:** **** Apr. 18, 2023**

(54) **PURSE ORGANIZER**

(71) Applicant: **Xiamin Huang**, Guangdong (CN)

(72) Inventor: **Xiamin Huang**, Guangdong (CN)

(**) Term: **15 Years**

(21) Appl. No.: **29/808,093**

(22) Filed: **Sep. 16, 2021**

(51) **LOC (14) Cl.** **03-01**

(52) **U.S. Cl.**
USPC **D3/319**

(58) **Field of Classification Search**
USPC D3/232–233, 245–246, 283–284,
D3/303–305, 315, 318–319, 902
CPC .. A45C 13/02; A45C 3/00; A45C 3/06; A45C
3/08; A45C 7/0086; A45C 2013/026;
A45C 7/0063

See application file for complete search history.

(56) **References Cited**

U.S. PATENT DOCUMENTS

2,911,024	A	*	11/1959	Miceli	A45C 13/02
						D3/319
3,533,459	A	*	10/1970	Ody	A45C 13/02
						150/113
D263,899	S	*	4/1982	Lynn	D3/303
D265,149	S	*	6/1982	Romano	D3/319
D408,146	S	*	4/1999	Briganti	D3/319
D580,162	S	*	11/2008	Crook	D3/232
D595,957	S	*	7/2009	Meyers	D3/232
D600,918	S	*	9/2009	Carlevale	D3/318
D609,002	S	*	2/2010	Sammons	D3/232
D618,913	S	*	7/2010	Helmhout	D3/318
D621,620	S	*	8/2010	Alessandri	D3/318
D697,307	S	*	1/2014	Crook	
D712,661	S	*	9/2014	McDonnell	D3/319

D734,026	S	*	7/2015	Givens	D3/233
D765,976	S	*	9/2016	Wood	D3/304
D785,335	S	*	5/2017	Halliday	D3/319
D893,193	S	*	8/2020	Zhu	
D900,477	S	*	11/2020	Huang	D3/319
D900,478	S	*	11/2020	Huang	D3/319

OTHER PUBLICATIONS

“Purse Organizer Insert, Felt Purse Organizer with Zipper and Sewn Bottom Insert, Fit Speedy Neverfull Gracefull, Tote, Handbag, 5 Sizes (Medium, Brush Pink)”, first available Nov. 13, 2020, Amazon.com, site visited Aug. 24, 2022: https://www.amazon.com/Organizer-Insert-Neverfull-Gracefull-Handbag/dp/B08NDNJ9KH/ref=cm_cr_arp_d_product_top?ie=UTF8&th=1 (Year: 2020).*

* cited by examiner

Primary Examiner — Sheryl Lane
Assistant Examiner — Samantha Lynne Brodowski
(74) *Attorney, Agent, or Firm* — True Shepherd, LLC;
Andrew Cheng

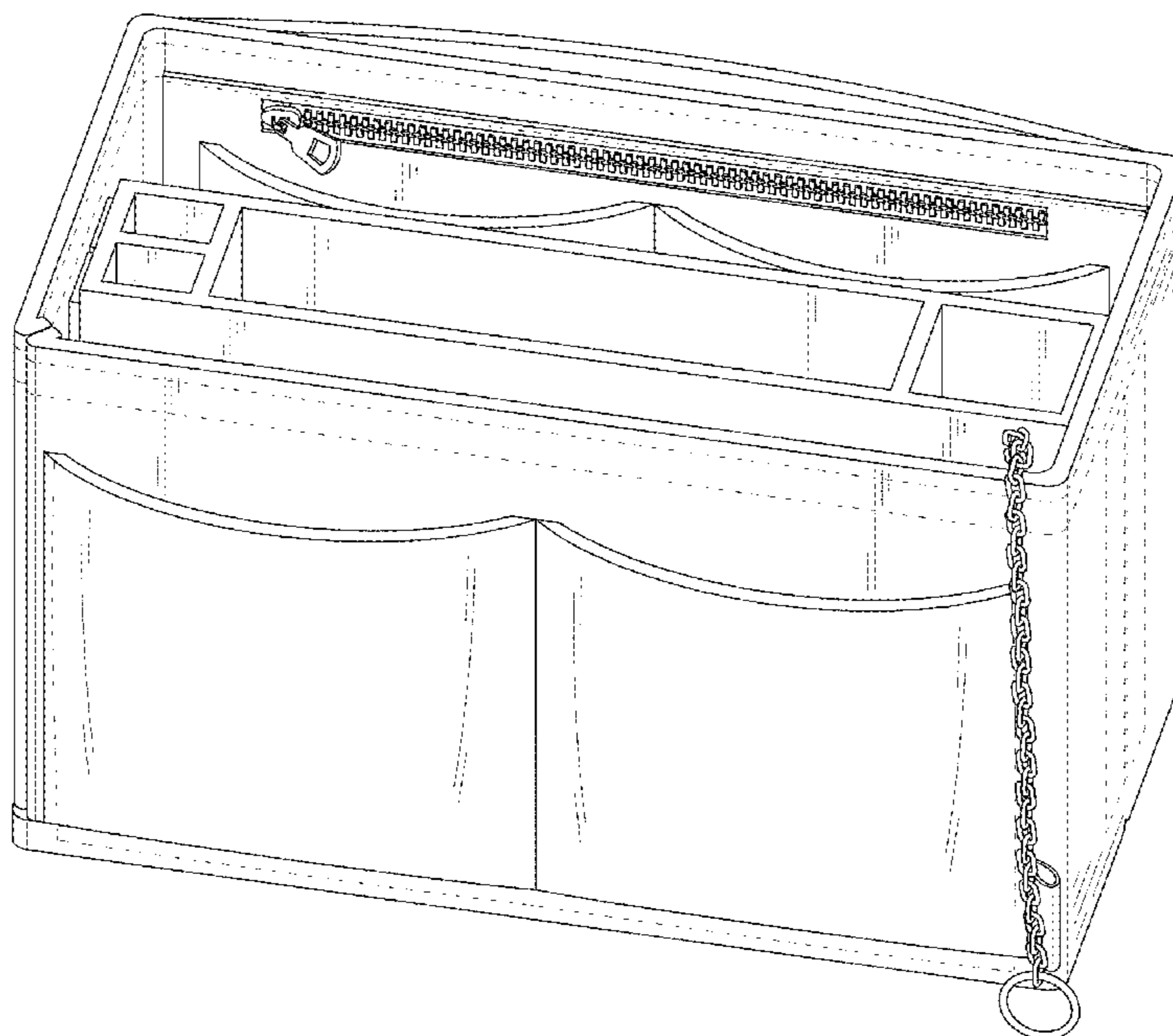
(57) **CLAIM**

The ornamental design for a purse organizer, as shown and described.

DESCRIPTION

FIG. 1 is a front, right and top perspective view of a purse organizer, showing my design.
FIG. 2 is a front elevation view thereof.
FIG. 3 is a rear elevation view thereof.
FIG. 4 is a left side elevation view thereof.
FIG. 5 is a right side elevation view thereof.
FIG. 6 is a top plan view thereof; and,
FIG. 7 is a bottom plan view thereof.
The broken lines illustrate stitching and form a part of the claimed design.

1 Claim, 7 Drawing Sheets



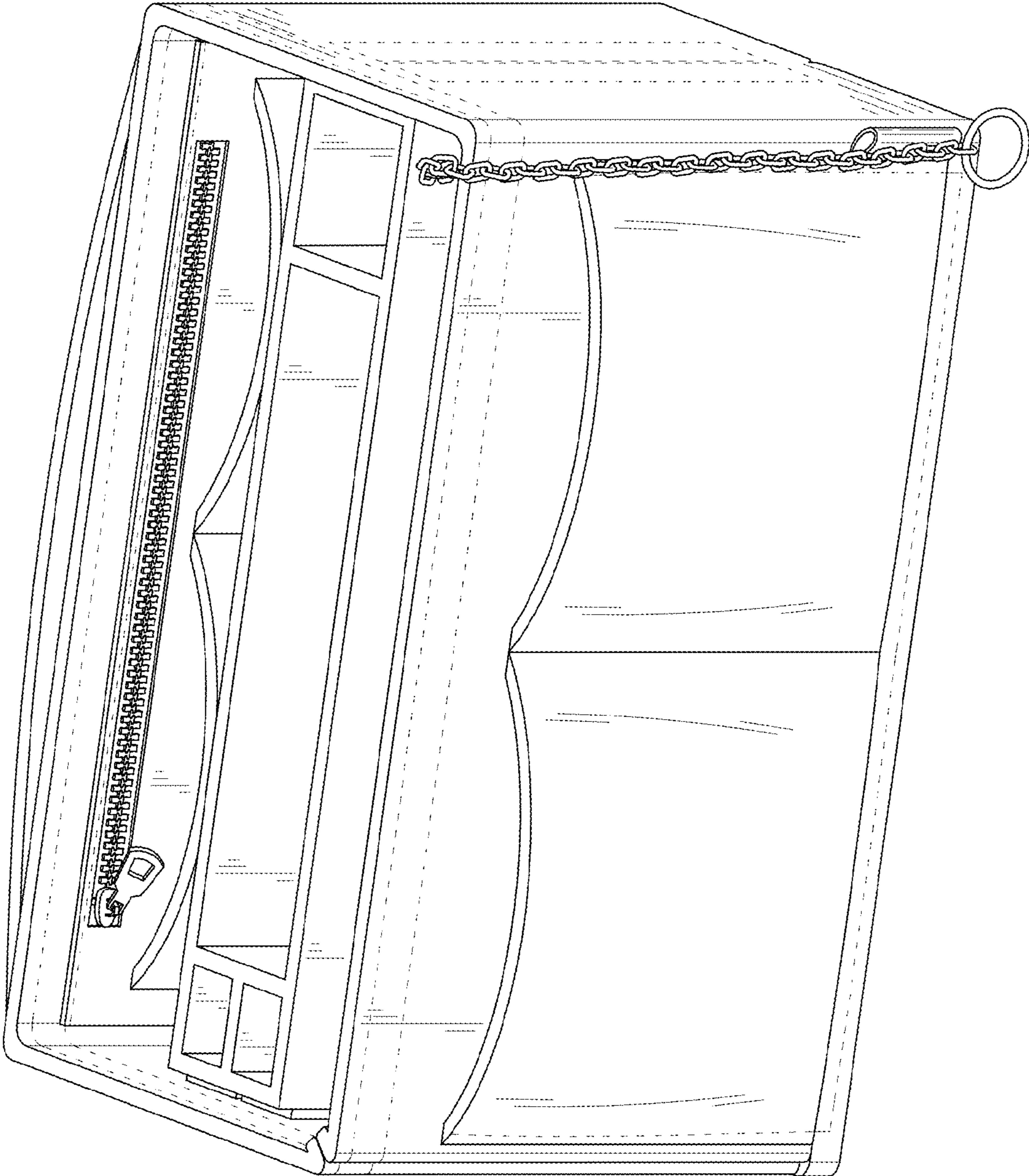


FIG.1

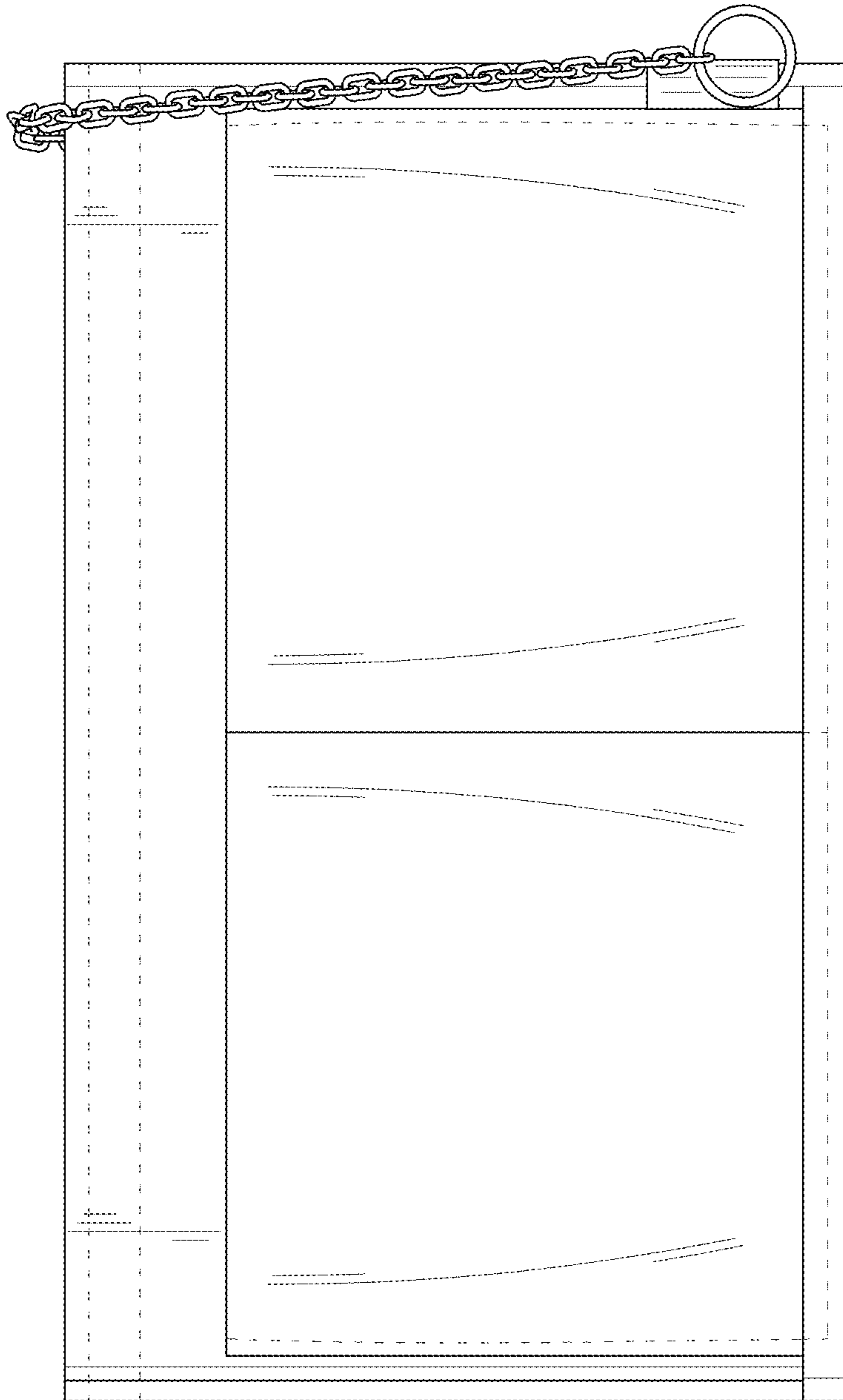


FIG. 2

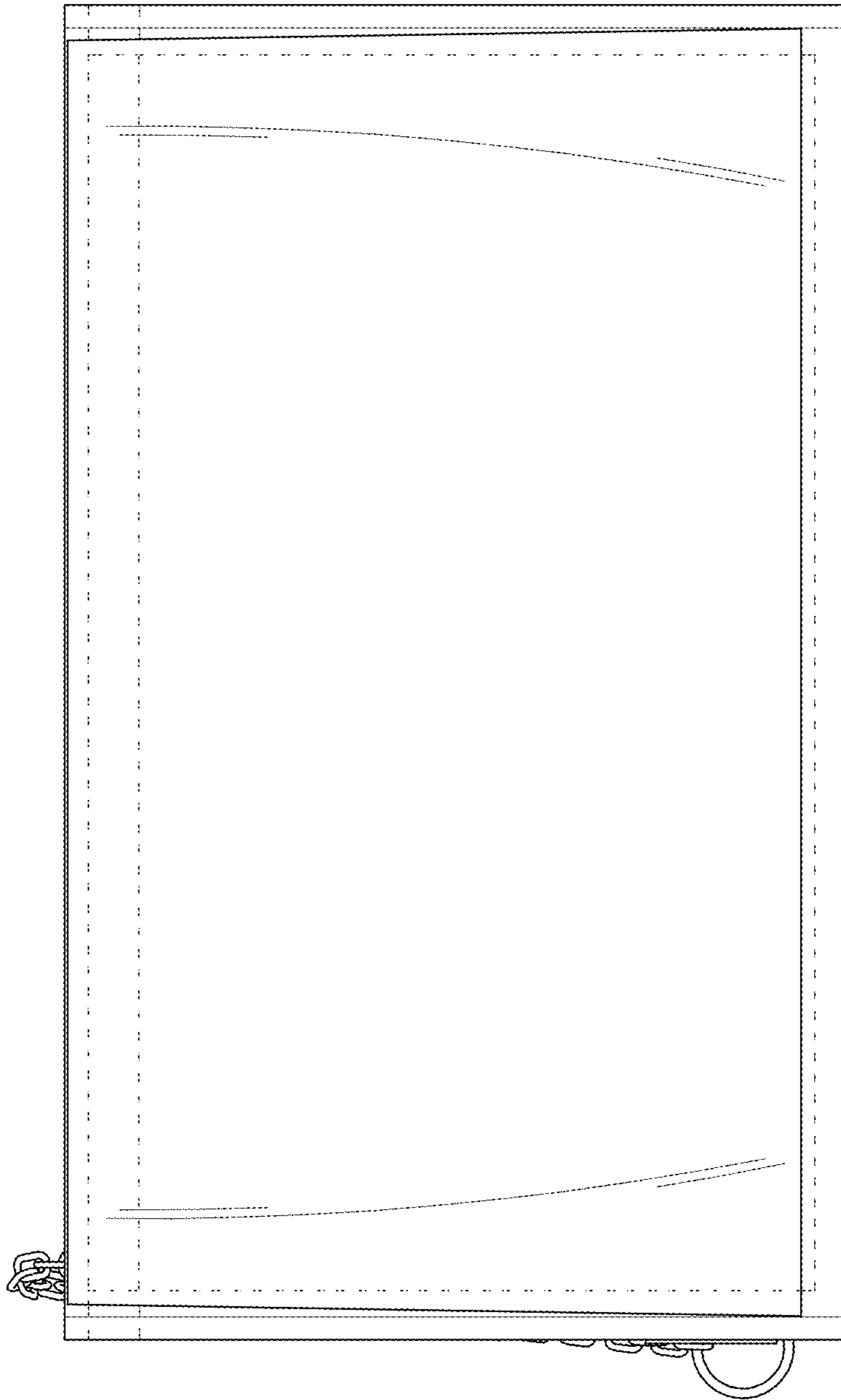


FIG. 3

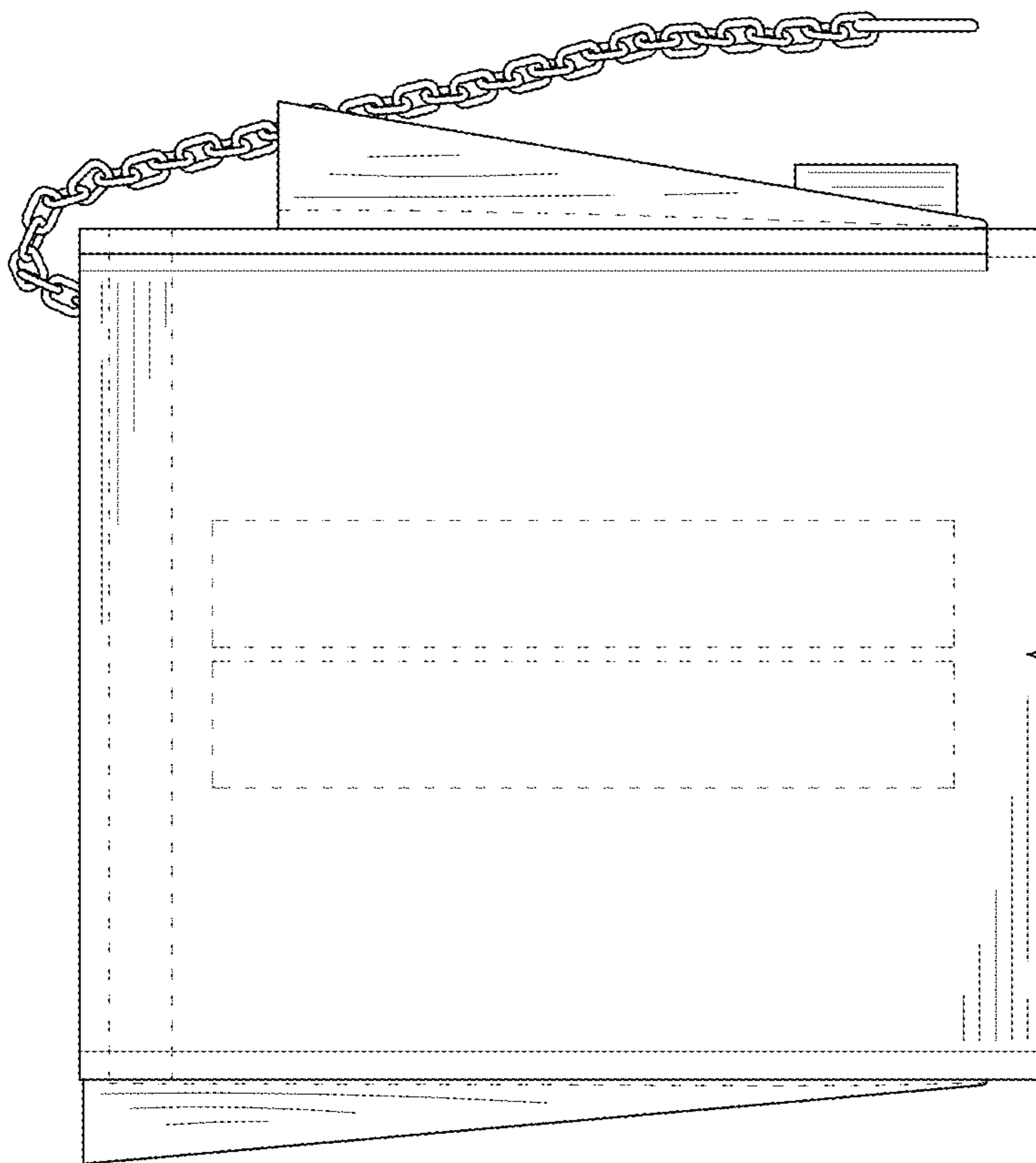


FIG. 4

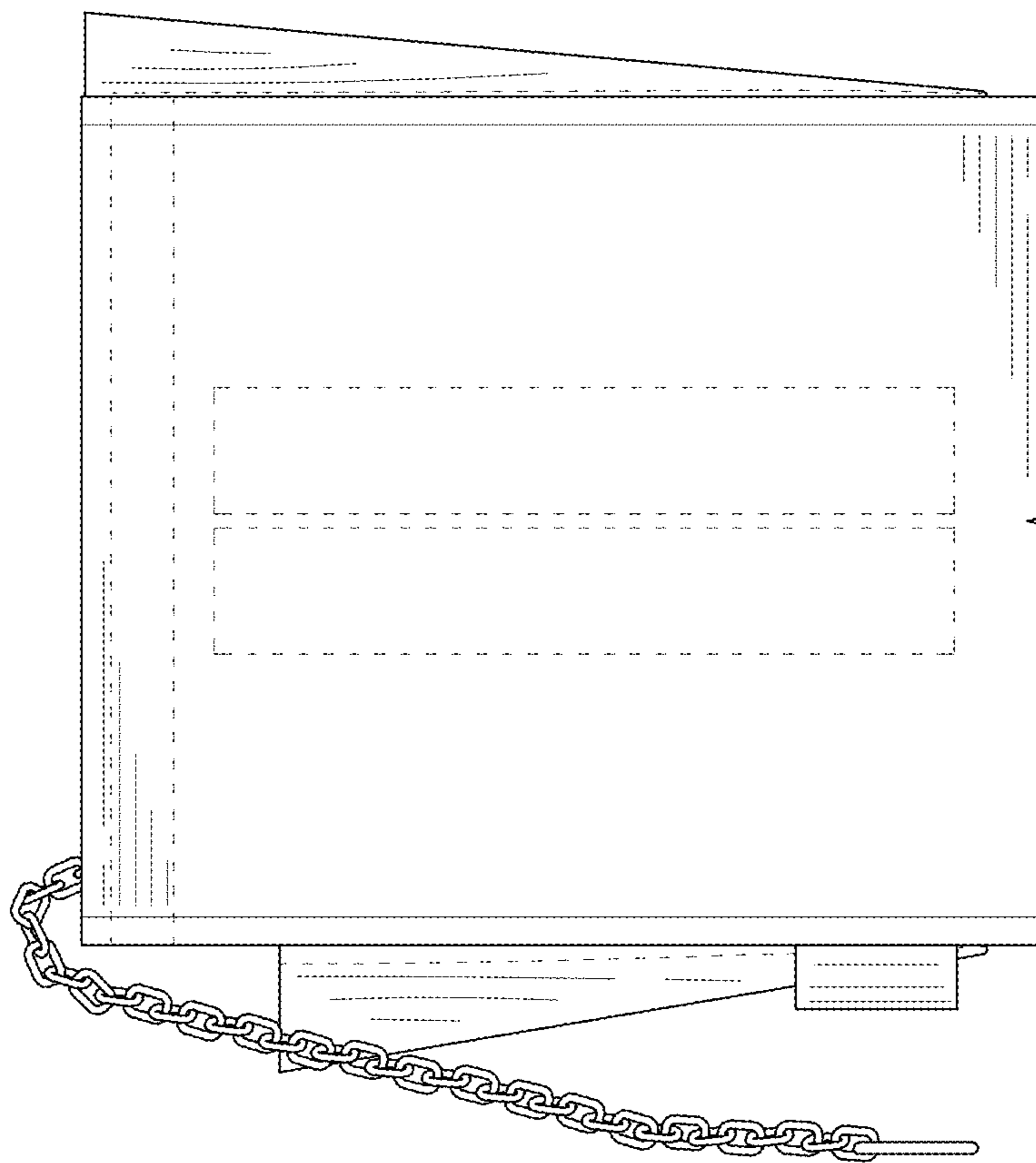


FIG. 5

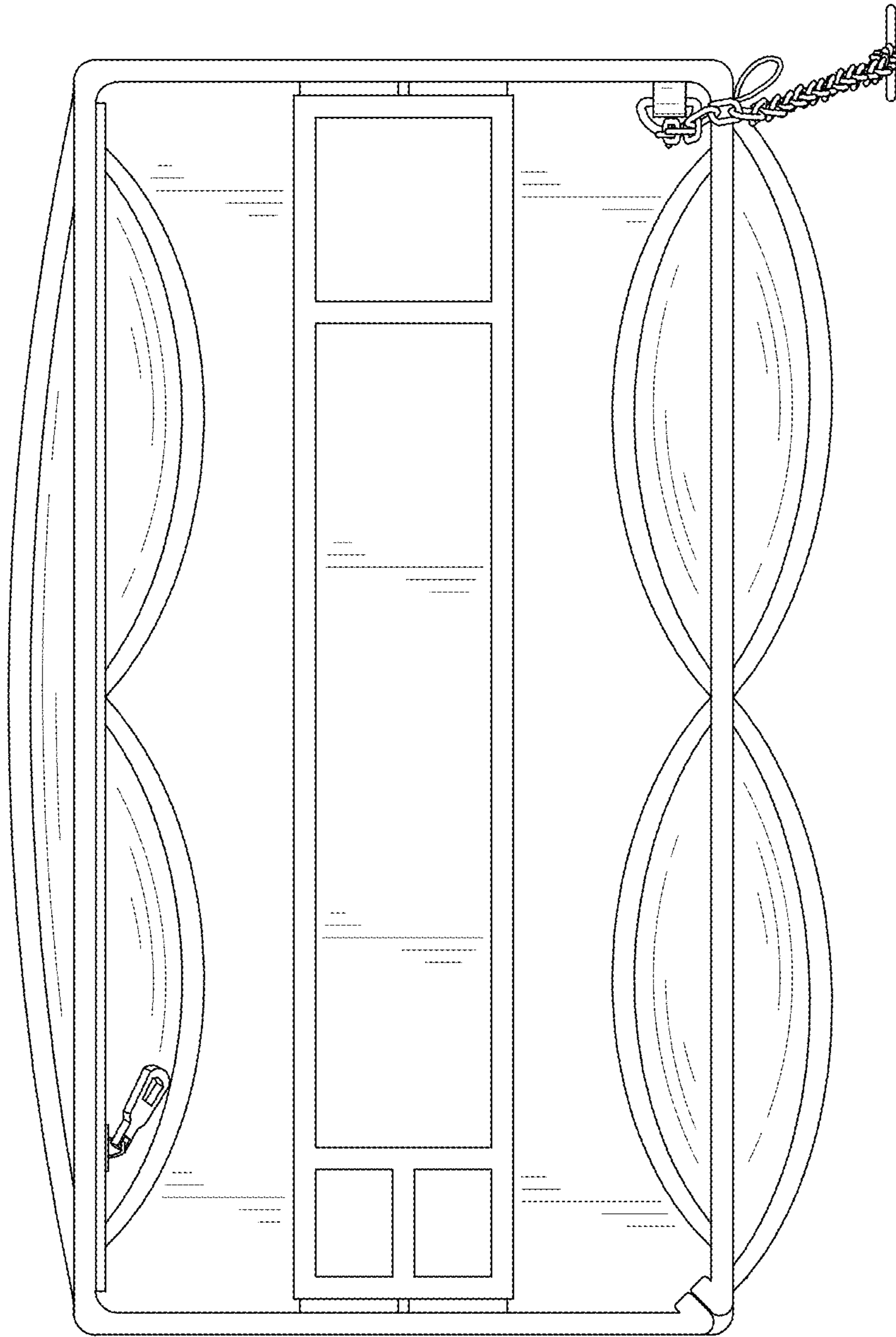


FIG. 6

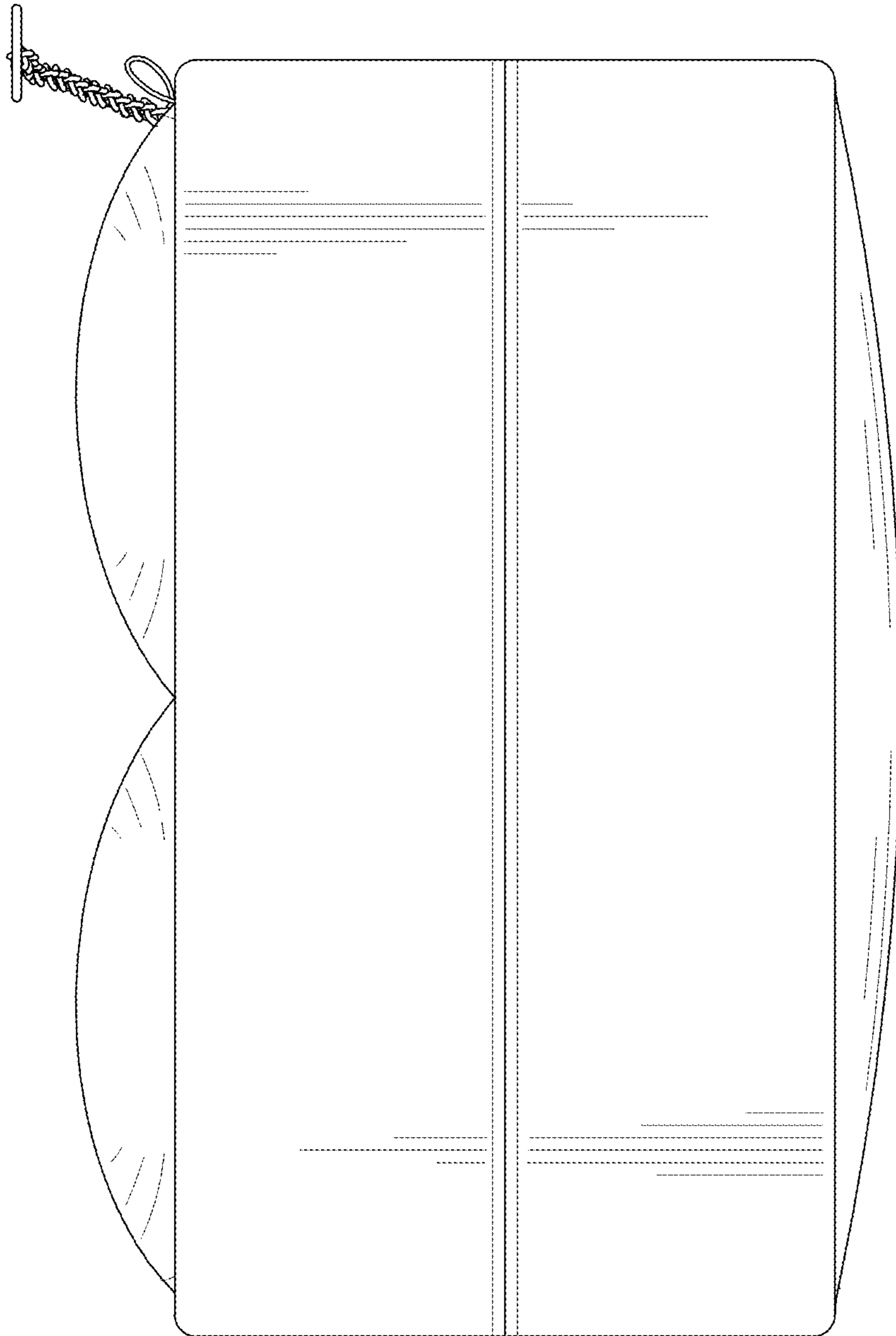


FIG. 7