



US00D983525S

(12) **United States Design Patent**
McBride

(10) **Patent No.:** **US D983,525 S**

(45) **Date of Patent:** **** Apr. 18, 2023**

(54) **BIN**

(71) Applicant: **InterDesign, Inc.**, Solon, OH (US)

(72) Inventor: **Sara Czukal McBride**, Wickliffe, OH (US)

(73) Assignee: **InterDesign, Inc.**, Solon, OH (US)

(**) Term: **15 Years**

(21) Appl. No.: **29/825,539**

(22) Filed: **Feb. 2, 2022**

Related U.S. Application Data

(63) Continuation of application No. 29/763,306, filed on Dec. 22, 2020.

(51) **LOC (14) Cl.** **03-01**

(52) **U.S. Cl.**
USPC **D3/304; D3/307**

(58) **Field of Classification Search**
USPC D3/304–314; D6/513–515, 518, 520, D6/553; D7/637–641
CPC . B65D 1/00; B65D 1/22; B65D 21/00; B65D 81/3813
See application file for complete search history.

(56) **References Cited**

U.S. PATENT DOCUMENTS

2,773,624 A	12/1956	Knieriem
3,813,256 A	5/1974	Feinberg
D235,195 S	5/1975	Sauey, Jr. et al.
D277,797 S	2/1985	Chabot
D323,296 S	1/1992	Schoenthaler
D335,309 S	5/1993	Evenson
D336,698 S	6/1993	Conaway et al.

(Continued)

FOREIGN PATENT DOCUMENTS

JP D1654063 * 3/2020

OTHER PUBLICATIONS

MDesign Plastic Deep Food Storage Organization Container Bin w/ Handles, first available Sep. 22, 2016, amazon.com [online], site visited Aug. 8, 2022, Available at URL: <https://www.amazon.com/mDesign-Plastic-Kitchen-Refrigerator-Organizing/dp/B01LXA84FB?th=1> (Year: 2016).*

(Continued)

Primary Examiner — Jeffrey D Asch

Assistant Examiner — Caitlin A Laverty

(74) *Attorney, Agent, or Firm* — Calfee, Halter & Griswold LLP

(57) **CLAIM**

I claim the ornamental design for a bin, as shown and described.

DESCRIPTION

FIG. 1 is a front/left/top perspective view of a bin (the front/right/top perspective view being a mirror image thereof);

FIG. 2 is a rear/right/bottom perspective view thereof (the rear/left/bottom perspective view being a mirror image thereof);

FIG. 3 is a front elevational view thereof (the rear elevational view being a mirror image thereof);

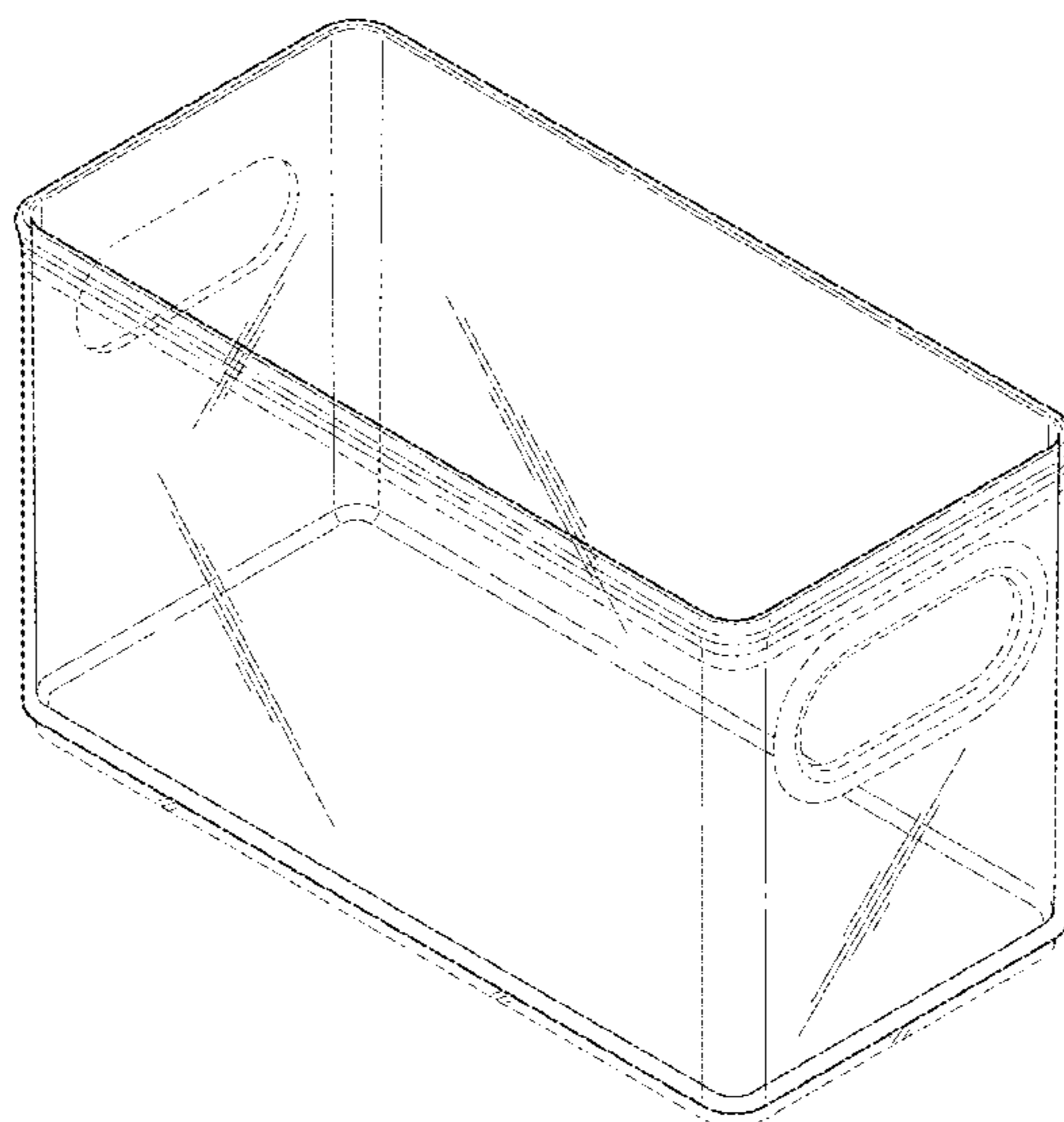
FIG. 4 is a right side elevational view thereof (the left side being a mirror image thereof);

FIG. 5 is a top plan view thereof; and,

FIG. 6 is a bottom plan view thereof.

The broken lines represent portions of the bin (bin openings, the bottom, and lines where surfaces meet) that form no part of the claimed design. Some broken line features that would be visible behind the transparent surfaces in FIGS. 1 and 2 are omitted for a clear disclosure of the interior surface configuration. Actual appearance of exterior surfaces is as set forth in elevational views.

1 Claim, 4 Drawing Sheets



(56)

References Cited

U.S. PATENT DOCUMENTS

5,277,360 A 1/1994 DeMott
 D363,662 S 10/1995 Plater
 D375,836 S 11/1996 Conti
 D391,079 S 2/1998 Conti
 D391,687 S 3/1998 McMahan
 D420,219 S 2/2000 Elvin-Jensen
 D423,587 S 4/2000 Conley
 D424,117 S 5/2000 Steinbeck
 D425,703 S 5/2000 Ohayon
 D487,347 S 3/2004 Felsenthal
 D509,655 S 9/2005 Barnes
 D511,091 S * 11/2005 Liwag D9/418
 D530,918 S 10/2006 Snell
 D530,921 S 10/2006 Snell
 D538,536 S * 3/2007 Kopenhagen D3/305
 D542,033 S * 5/2007 Kopenhagen D3/305
 D542,532 S 5/2007 Kopenhagen
 D547,064 S 7/2007 Snell
 D551,453 S 9/2007 Snell
 D555,904 S 11/2007 Snell
 7,438,197 B2 10/2008 Yamauchi
 D639,561 S 6/2011 Hardy et al.
 D700,435 S 3/2014 Gold
 D709,289 S 7/2014 Kraemer
 D710,442 S 8/2014 Stravitz
 D712,148 S 9/2014 Ghiorghie
 D713,146 S 9/2014 Ghiorghie
 8,820,620 B2 9/2014 Vincent
 D732,827 S * 6/2015 Suomela D3/304
 D747,102 S 1/2016 Kraemer
 D751,318 S 3/2016 Kraemer
 D764,169 S 8/2016 Bougay et al.
 D770,771 S 11/2016 Lisso et al.
 D772,575 S 11/2016 Stelmarski
 D775,831 S 1/2017 Duvigneau
 D780,264 S * 2/2017 Greenspon D19/90
 D787,928 S 5/2017 Fleming
 D805,894 S 12/2017 Lee
 D806,391 S 1/2018 Ghiorghie
 D809,797 S 2/2018 Kraemer
 D825,923 S * 8/2018 Suomela D3/304
 D842,606 S 3/2019 Kraemer
 D842,607 S 3/2019 Kraemer
 D854,830 S * 7/2019 Criste D3/302
 D855,260 S 7/2019 Estrup
 D862,994 S 10/2019 Kraemer
 D863,485 S 10/2019 VanNatta
 D866,973 S 11/2019 Snell
 D878,050 S 3/2020 Kraemer
 D878,051 S 3/2020 Kraemer
 D887,141 S 6/2020 Mazor
 D888,429 S 6/2020 Vega
 D893,874 S 8/2020 Kraemer
 D895,970 S 9/2020 Kraemer
 D900,476 S * 11/2020 McBride D3/319
 D902,594 S 11/2020 Kraemer
 D907,365 S * 1/2021 Roe D3/307
 D912,985 S 3/2021 Kraemer
 D915,073 S 4/2021 Kraemer
 D919,974 S 5/2021 Kraemer
 D921,361 S 6/2021 Kraemer
 D925,228 S 7/2021 Hazelton
 D925,229 S 7/2021 Kraemer
 D935,775 S 11/2021 Tsai
 D936,364 S 11/2021 Zheng
 D944,013 S * 2/2022 Kraemer D3/307
 D945,771 S 3/2022 Dai
 D945,772 S 3/2022 Dai
 D951,638 S 5/2022 Zhang

D961,928 S * 8/2022 McBride D3/304
 D961,929 S * 8/2022 McBride D3/304
 D961,931 S * 8/2022 McBride D3/307
 2006/0016812 A1 1/2006 Cheng

OTHER PUBLICATIONS

InterDesign Linus Plastic Countertop, Closet, and Vanity Organizer, available no later than Jan. 21, 2018 based on customer photo review, amazon.com [online], [site visited Aug. 8, 2022], Available at URL: https://www.amazon.com/InterDesign-Linus-Bathroom-Vanity-Organizer/dp/B007RG86BU?ref_ast_sto_dp&th=1 (Year: 2018).*

Smartstore Clear Compact Plastic Modular Bins & Lids—The Container Store—<https://www.containerstore.com/s/storage/plastic-bins-baskets/smartstore-clear-compact-plastic-modular-bins-and-lids/12d?p=0&ps=32&productId=11010331>—Date accessed: Feb. 2, 2022.

Premier Clear Stacking Totes—The Container Store—<https://www.containerstore.com/s/storage/plastic-bins-baskets/premier-clear-stacking-totes/12d?p=0&ps=32&productId=11014293>—Date accessed: Feb. 2, 2022.

MDesign Set of 2 Plastic Storage Box—Amazon.co.uk: Home & Kitchen—<https://www.amazon.co.uk/mDesign-Set-Plastic-Storage-Box/dp/B07KYWC9J2>—Date accessed: Feb. 2, 2022.

Aqua Mini Latch Boxes—The Container Store—<https://www.containerstore.com/s/craft-hobby/aqua-mini-latch-boxes/1d?p=0&ps=32&productId=11011056>—Date accessed: Feb. 2, 2022.

IDesign Linus Pantry Bins—The Container Store—<https://www.containerstore.com/s/idesign-linus-pantry-bins/d?q=bin&productId=10032358>—Date accessed: Feb. 2, 2022.

The Home Edit Narrow Pantry Bin—The Container Store—<https://www.containerstore.com/s/the-home-edit-narrow-pantry-bin/d?q=home%20edit&productId=11012910>—Date accessed: Feb. 2, 2022.

IDesign Crisp Stackable Refrigerator and Pantry Produce Food Storage Container & Reviews—Wayfair—<https://www.wayfair.com/kitchen-tabletop/pdp/idesign-crisp-stackable-refrigerator-and-pantry-produce-food-storage-container-ides1020.html>—Date accessed: Feb. 2, 2022.

IDesign Crisp Divided Food Storage Container—Wayfair—<https://www.wayfair.com/kitchen-tabletop/pdp/idesign-crisp-divided-food-storage-container-ides1103.html>—Date accessed: Feb. 2, 2022.

IDesign Fridge Bin & Reviews—Wayfair—<https://www.wayfair.com/kitchen-tabletop/pdp/idesign-fridge-bin-iti3238.html>—Date accessed: Feb. 2, 2022.

IDesign Linus Pantry Bin—The Container Store—<https://www.containerstore.com/s/idesign-linus-pantry-bin/d?q=plastic%20bin&p=0&ps=32&productId=11014385>—Date accessed: Feb. 2, 2022.

Order and Bliss—The Home Edit Fridge Collection, video by iDesign posted May 18, 2020, youtube.com [online], [site visited Jan. 27, 2023]. Available at URL: <https://www.youtube.com/watch?v=OrVFEDIJf8k>.

The Home Edit container store collection—Product Comparison—Rescue My Space, video by Judi Igwe Enih posted Jul. 18, 2019, youtube.com [online], [site visited Jan. 27, 2023]. Available at URL: <https://www.youtube.com/watch?v=Ym7Lz9ollQ4&t=16s> (e.g., starting at 06:00 for the “All Purpose Bin”).

Kootek 9 Pcs Desk Drawer Trays 4-Size, available no later than Sep. 23, 2019 based on customer photo review, amazon [online], [site visited Jan. 27, 2023]. Available at URL: <https://www.amazon.com/dp/B07TMYWX7S/?th=1> (Year: 2019).

Acrylic Stackable Drawer Organizers, available no later than 2016 based on customer photo reviews, containerstore.com [online], [site visited Jan. 27, 2023]. Available at URL: <https://www.containerstore.com/s/acrylic-stackable-drawer-organizers/d?q=acrylic%20stackable%20drawer%20organizers&productId=11000169> (Year: 2016).

Non-Final Office Action from related case U.S. Appl. No. 29/829,204, dated Nov. 22, 2022.

* cited by examiner

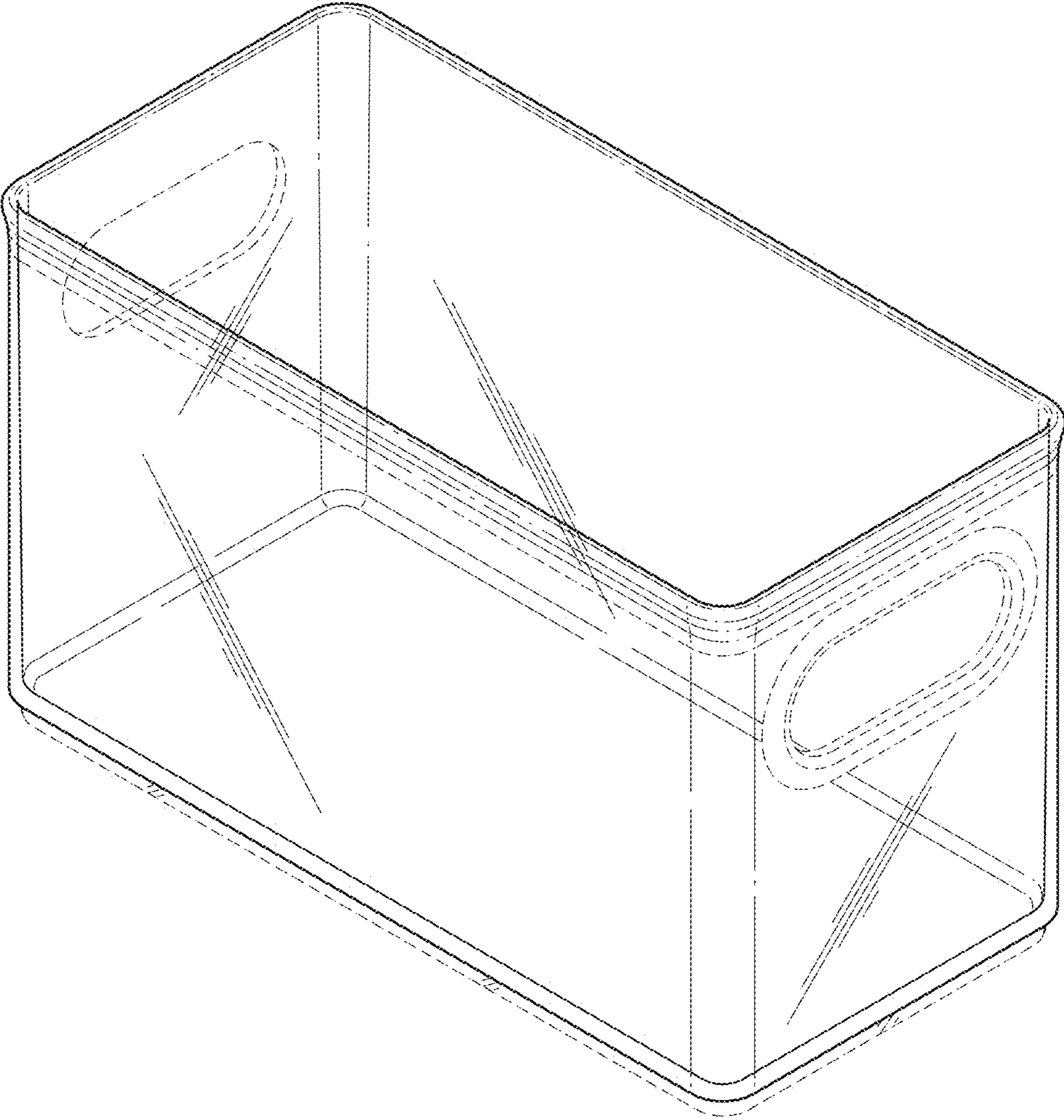


FIG. 1

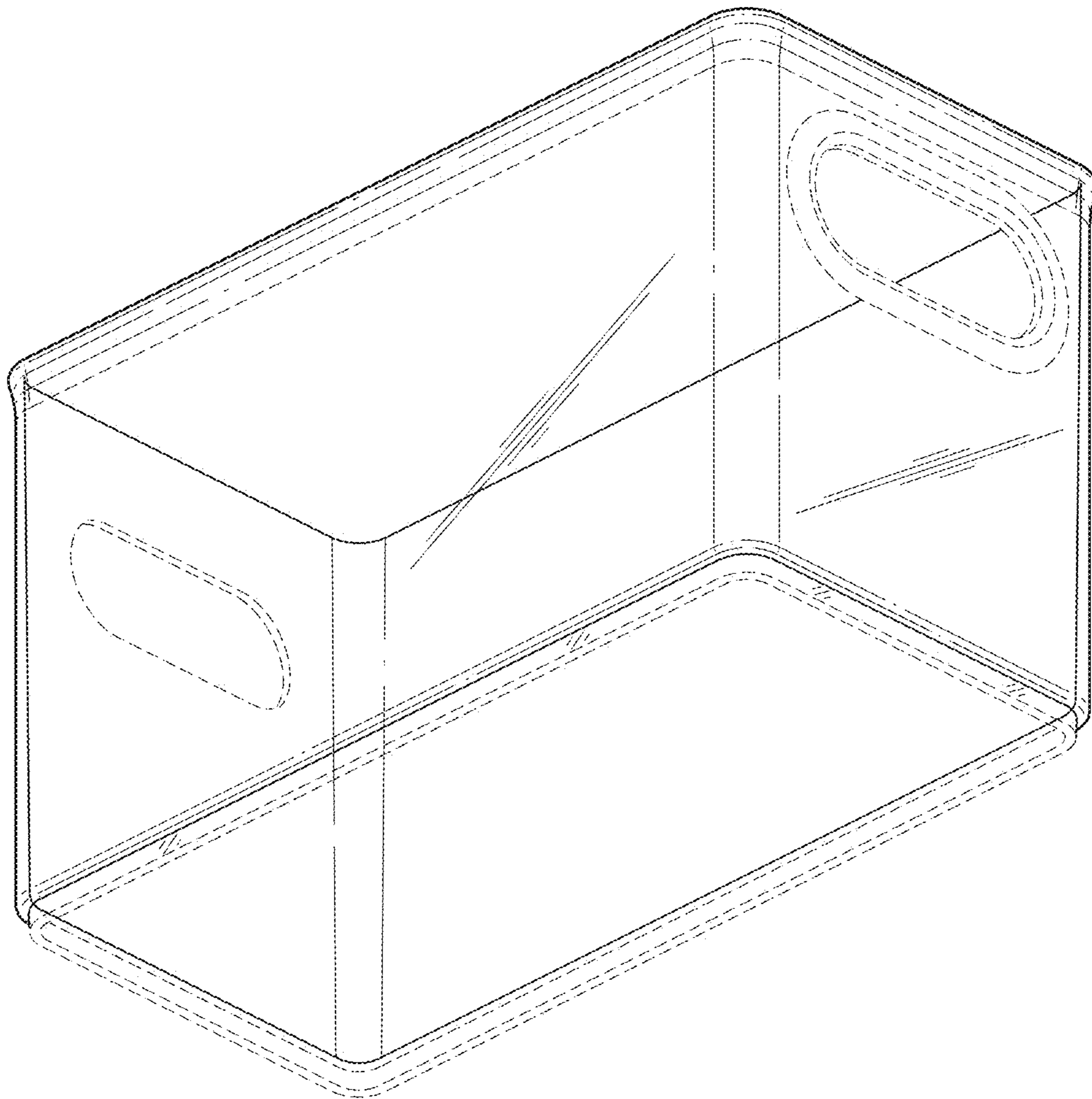


FIG. 2

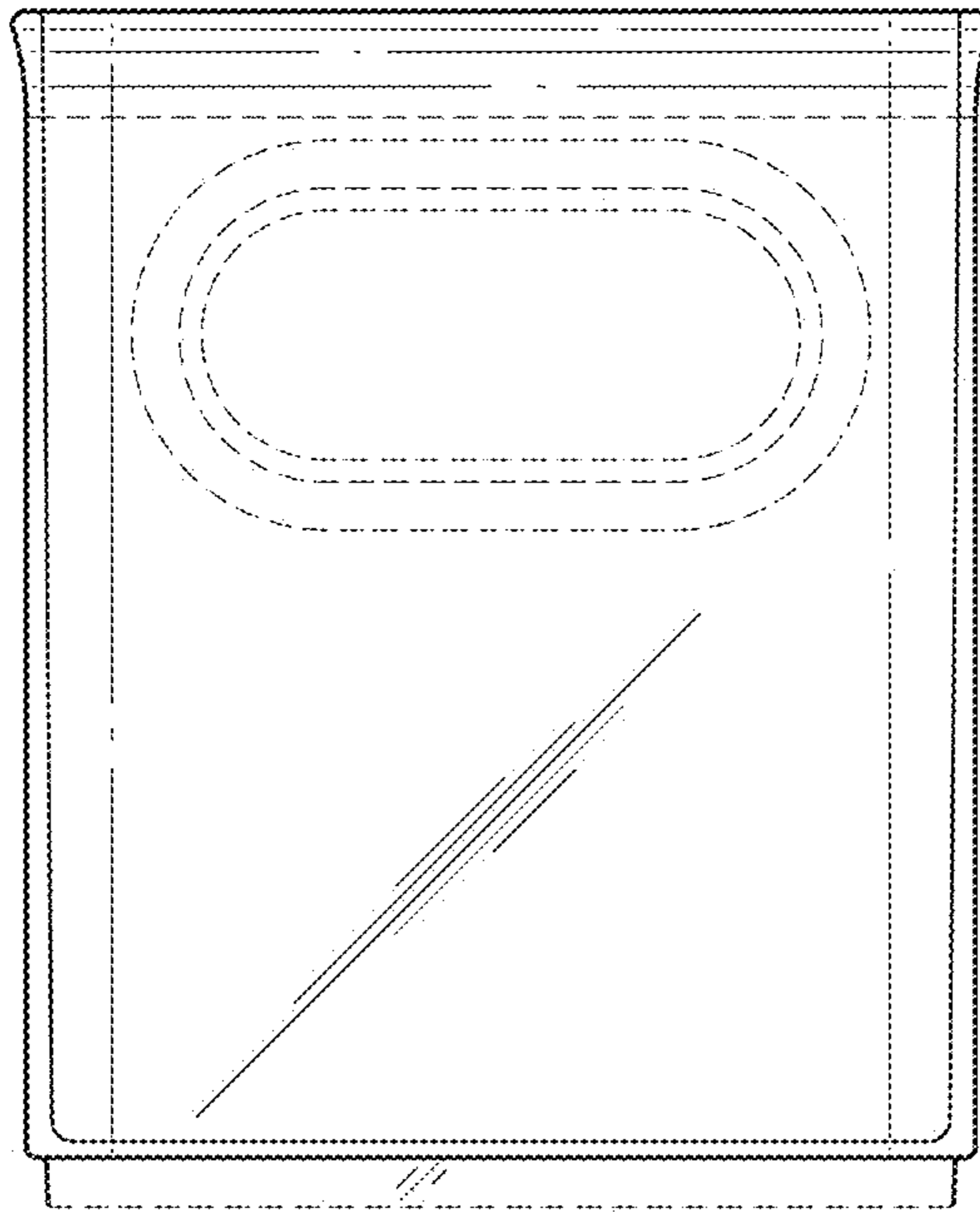


FIG. 3

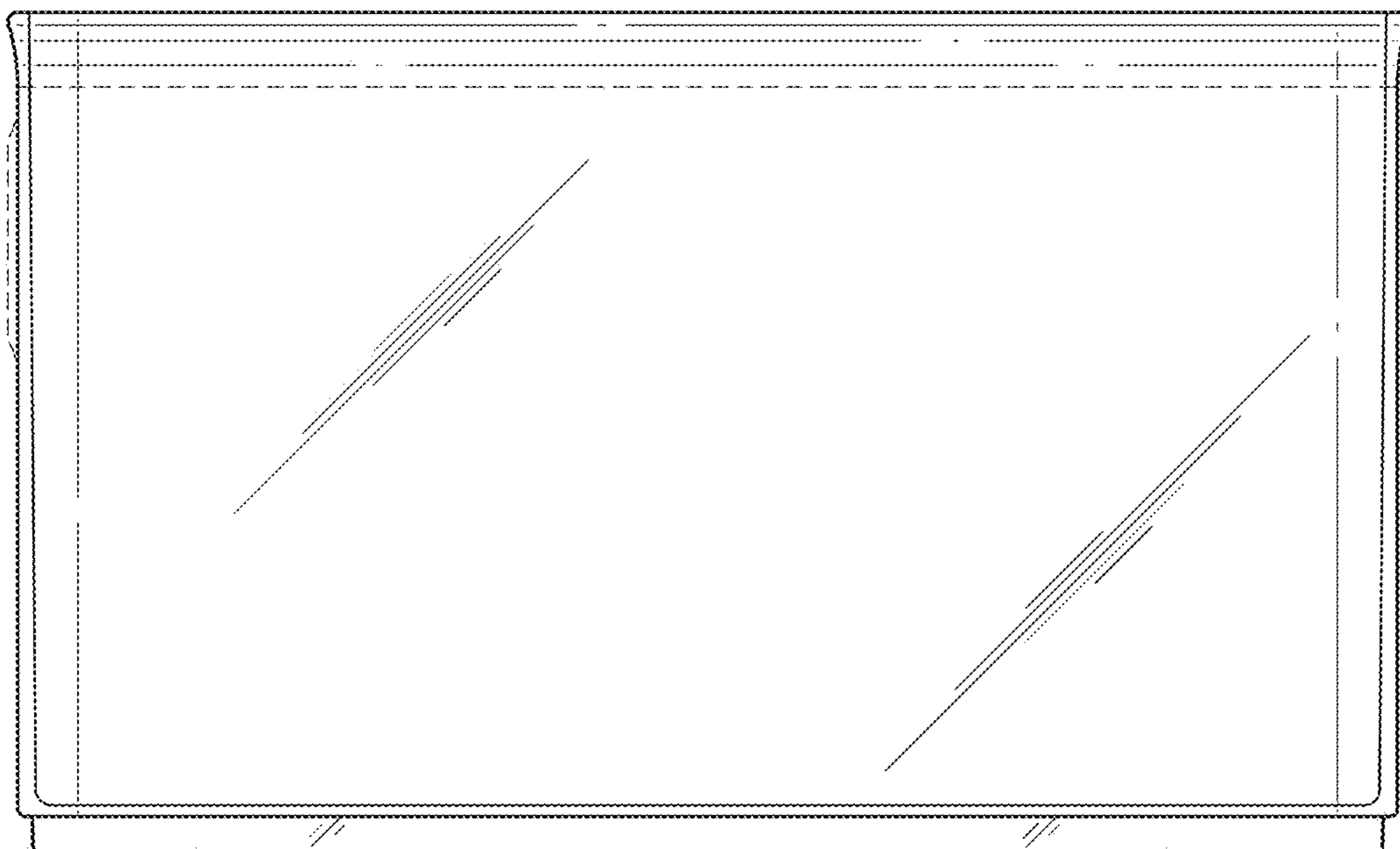


FIG. 4

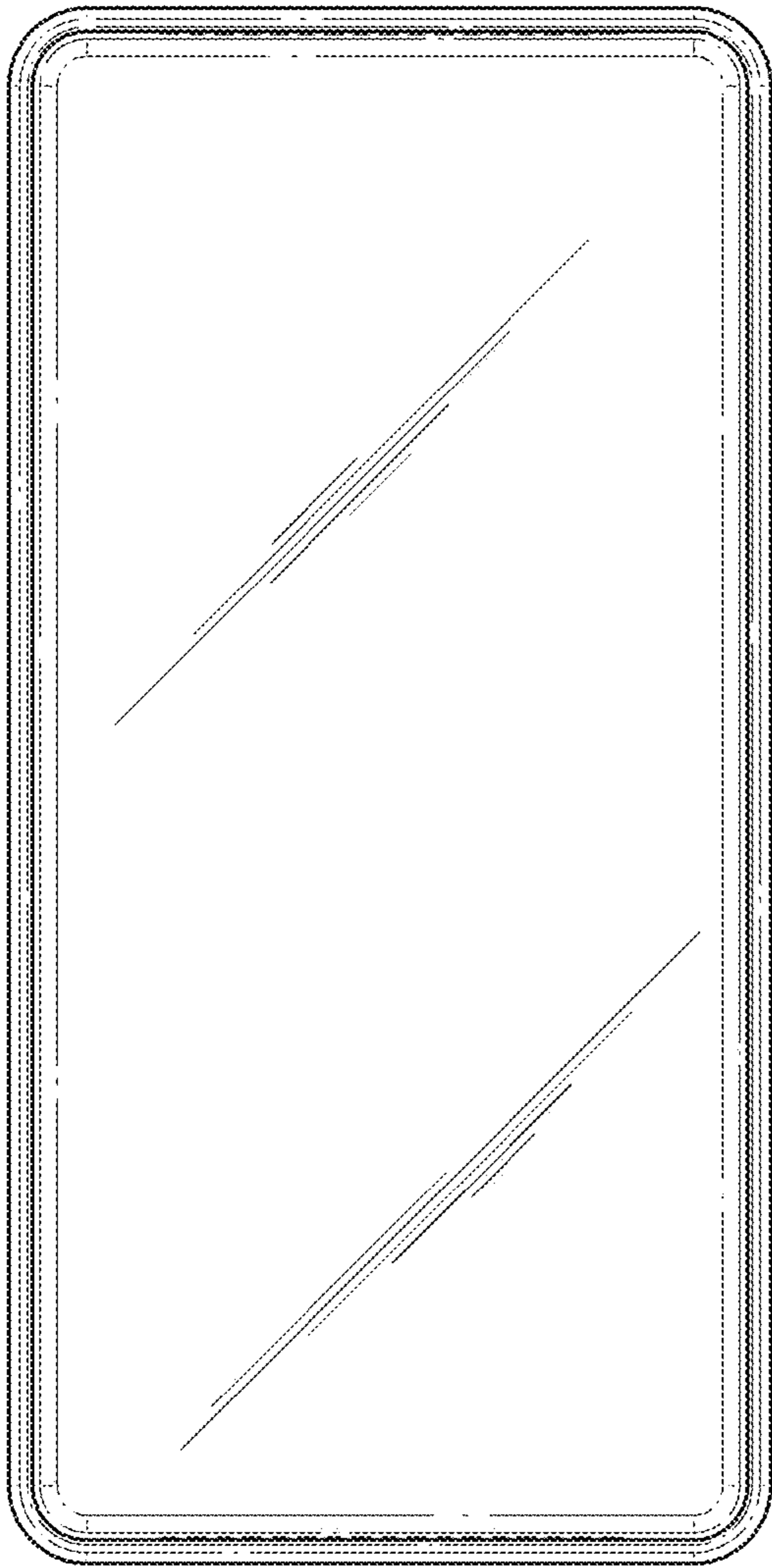


FIG. 5

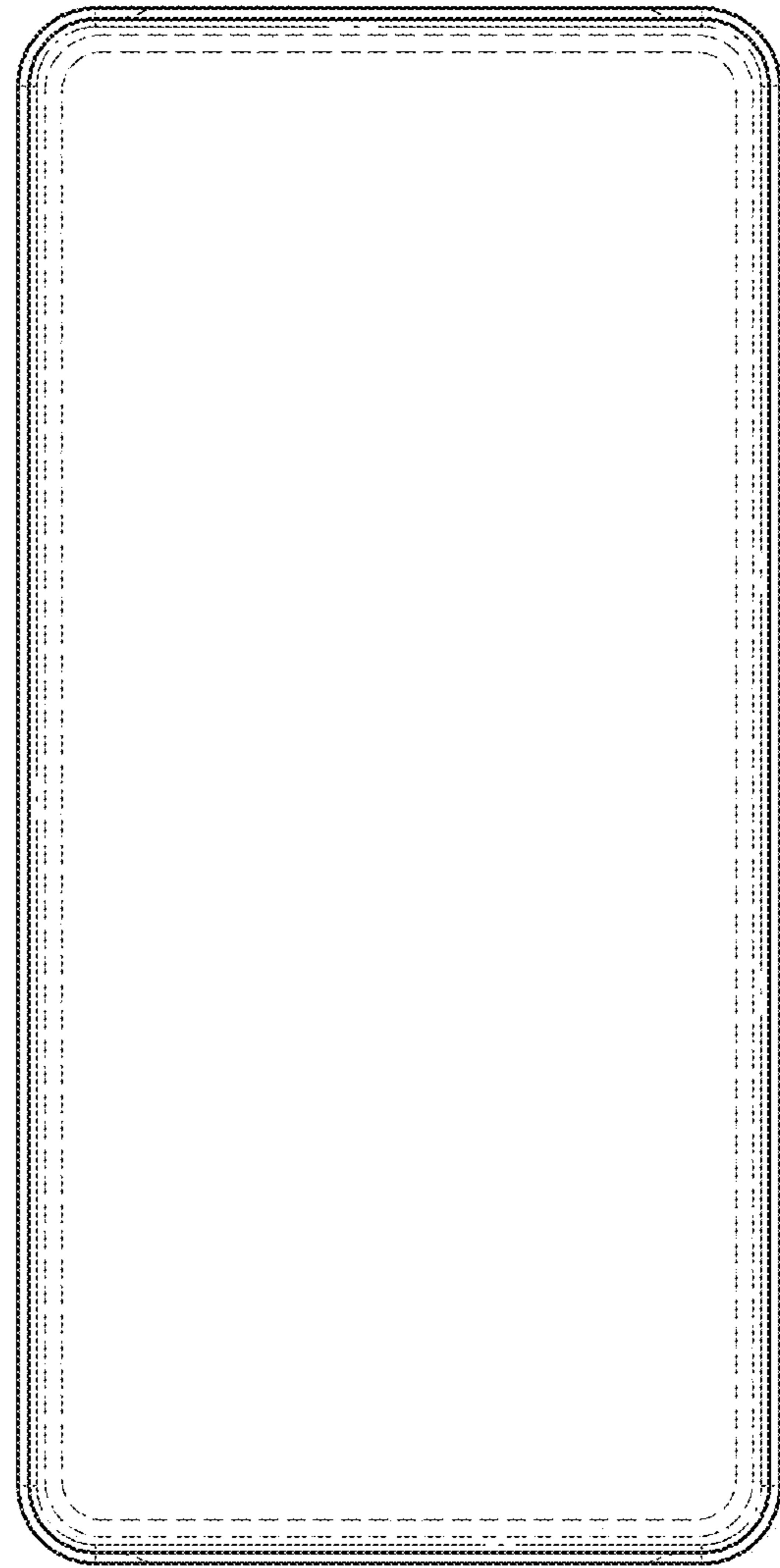


FIG. 6