



US00D983523S

(12) **United States Design Patent**  
**Wang**

(10) **Patent No.:** **US D983,523 S**  
(45) **Date of Patent:** **\*\* Apr. 18, 2023**

- (54) **STORAGE BOX**
- (71) Applicant: **Jiyun Wang**, Zhejiang (CN)
- (72) Inventor: **Jiyun Wang**, Zhejiang (CN)
- (\*\*) Term: **15 Years**
- (21) Appl. No.: **29/860,253**
- (22) Filed: **Nov. 17, 2022**
- (51) **LOC (14) Cl.** ..... **03-01**
- (52) **U.S. Cl.**  
USPC ..... **D3/297; D6/671.1**
- (58) **Field of Classification Search**  
USPC ..... D3/201, 218, 269, 273–274, 276,  
D3/281–286, 289, 294, 297–301, 303,  
D3/305, 313–316, 318–319, 323;  
D6/663–664, 671–671.4  
CPC ... A47B 67/04; A47B 2210/19; A47B 88/941;  
A47B 88/407; A47B 87/02  
See application file for complete search history.

- D670,111 S \* 11/2012 McNamara ..... D6/705
- D708,875 S \* 7/2014 McNamara ..... D6/705
- D784,695 S \* 4/2017 Yamamoto ..... D3/297
- D785,330 S \* 5/2017 Yamamoto ..... D3/297
- D934,598 S \* 11/2021 Nakhla ..... D6/668.2
- D945,157 S 3/2022 Park
- 2005/0168115 A1\* 8/2005 Moon ..... A47B 88/941  
312/257.1
- 2021/0137268 A1\* 5/2021 Kobayashi ..... A47B 88/402

\* cited by examiner

*Primary Examiner* — Jennifer L Watkins  
*Assistant Examiner* — Samantha Lynne Brodowski

(57) **CLAIM**

The ornamental design for a storage box, as shown and described.

**DESCRIPTION**

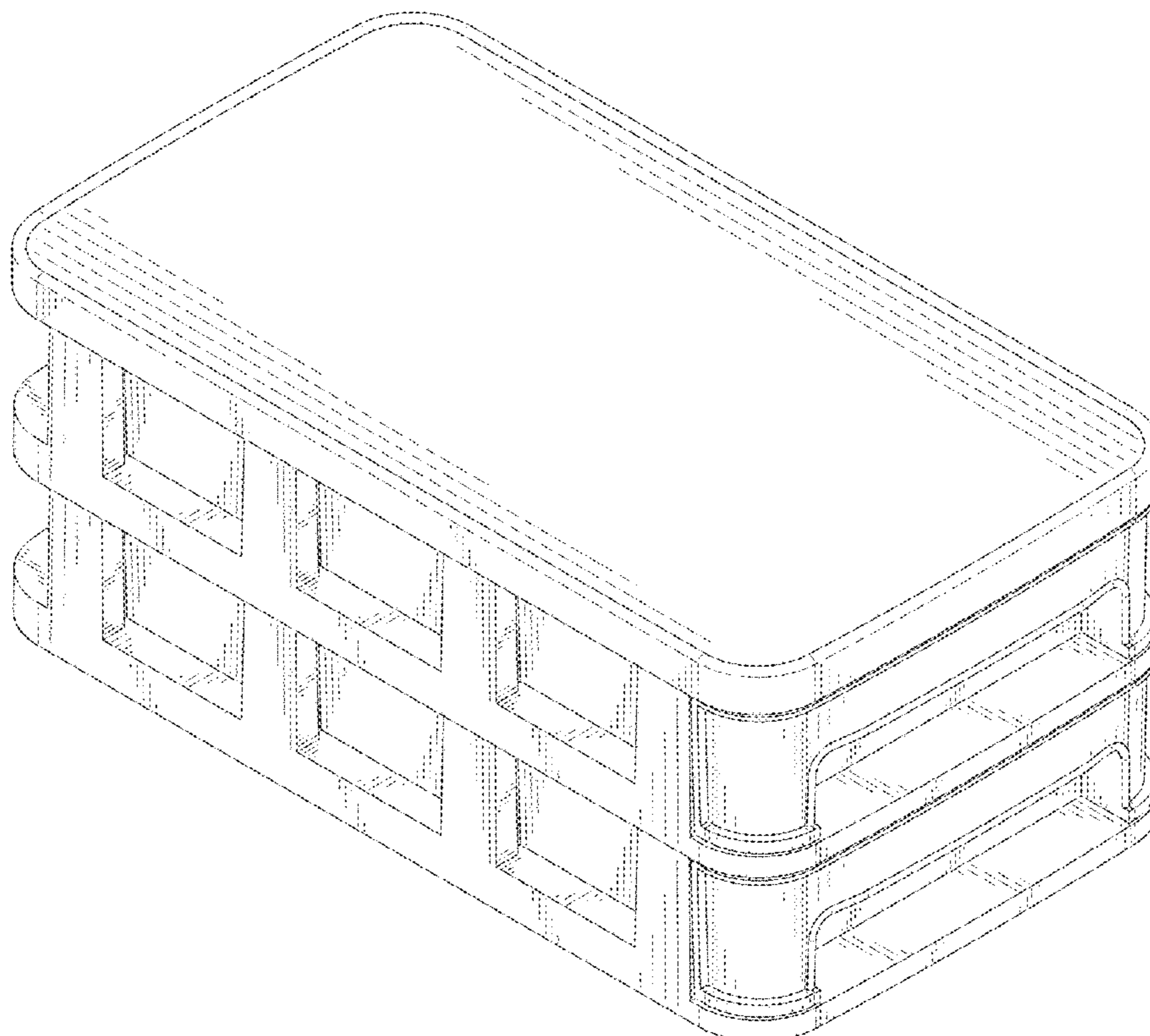
FIG. 1 is a front and top perspective view of a storage box, showing my new design;  
 FIG. 2 is a rear and bottom perspective view thereof;  
 FIG. 3 is a front elevation view thereof;  
 FIG. 4 is a rear elevation view thereof;  
 FIG. 5 is a left side elevation view thereof;  
 FIG. 6 is a right side elevation view thereof;  
 FIG. 7 is a top plan view thereof;  
 FIG. 8 is a bottom plan view thereof; and,  
 FIG. 9 is an exploded view thereof.  
 The dashed lines in the figures illustrate portions of the storage box that form no part of the claimed design.

**1 Claim, 9 Drawing Sheets**

(56) **References Cited**

**U.S. PATENT DOCUMENTS**

- D346,712 S \* 5/1994 Brunner ..... D6/671.1
- D367,381 S \* 2/1996 Licari ..... D3/297
- 5,680,957 A \* 10/1997 Liu ..... A47B 87/0284  
220/663
- D448,168 S \* 9/2001 Johnston ..... D3/297
- D506,086 S \* 6/2005 Cassell ..... D6/668.2
- D599,589 S \* 9/2009 Cassel ..... D3/297



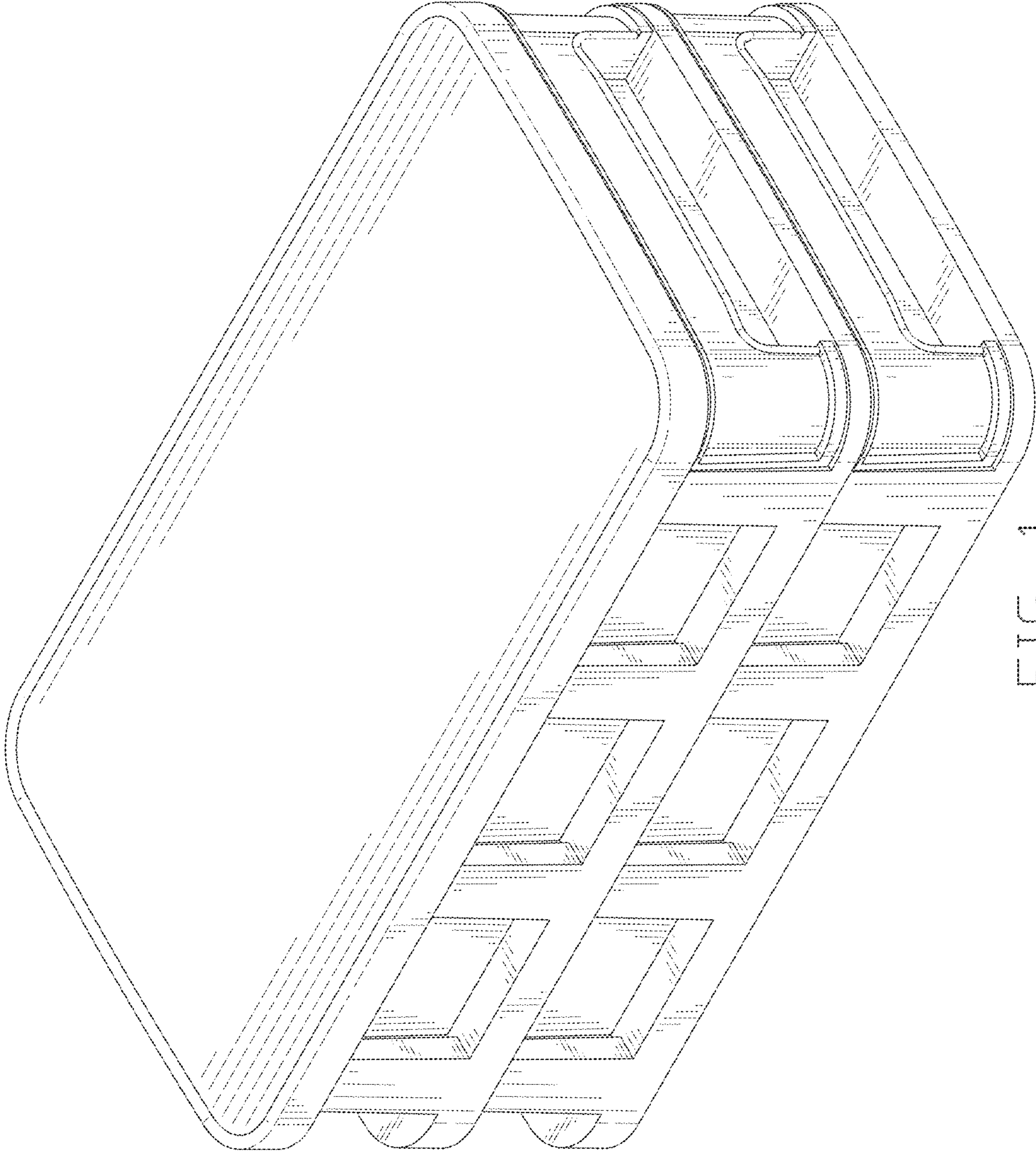


FIG. 1

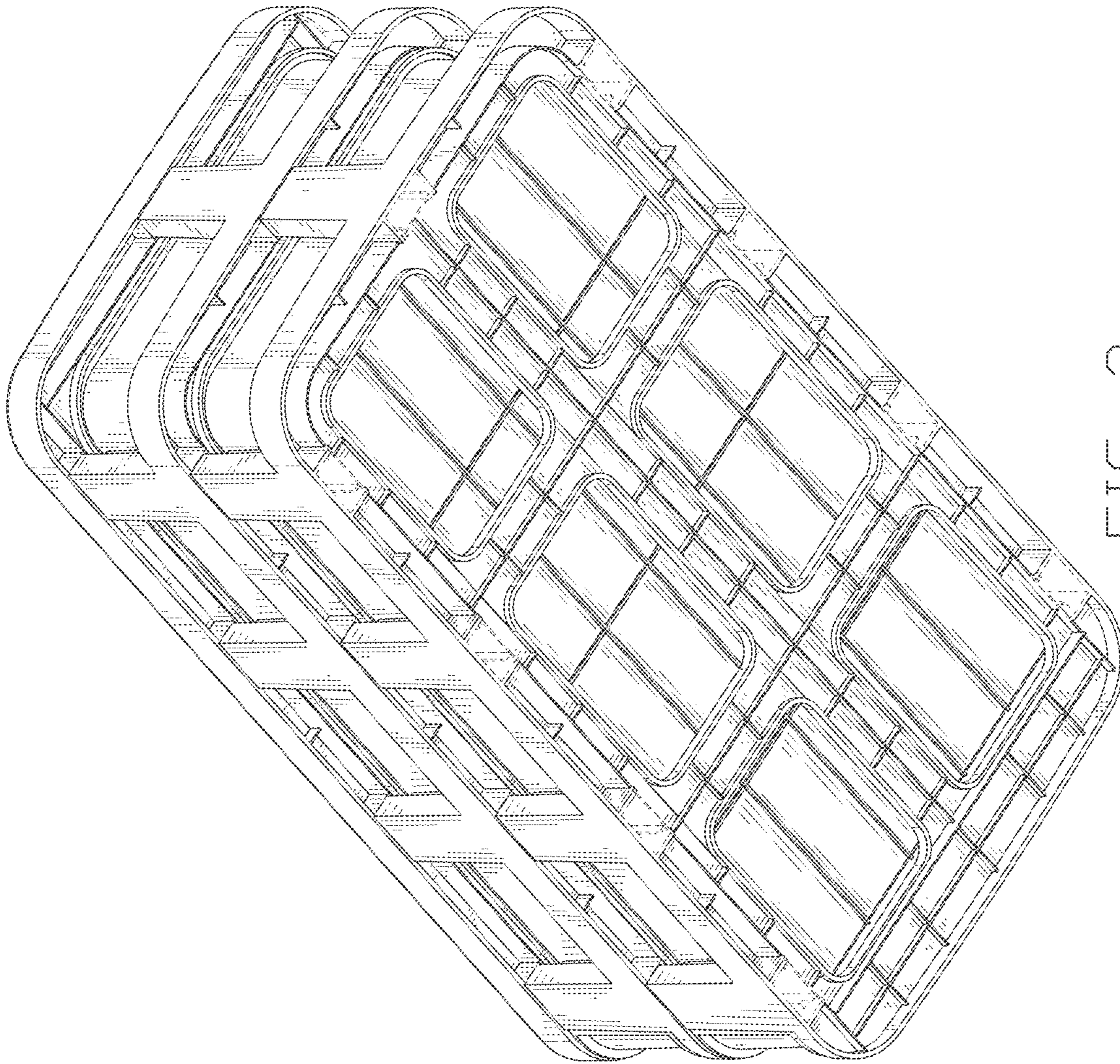


FIG. 2

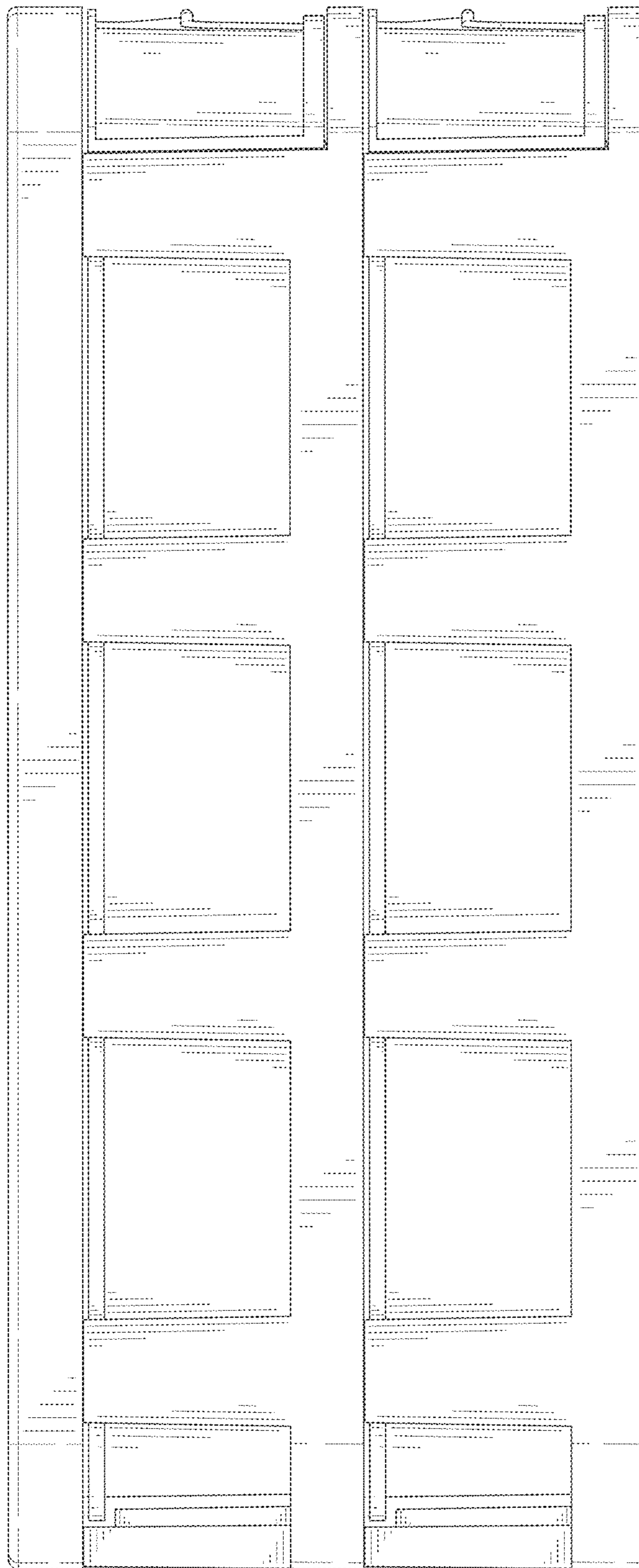


FIG. 3

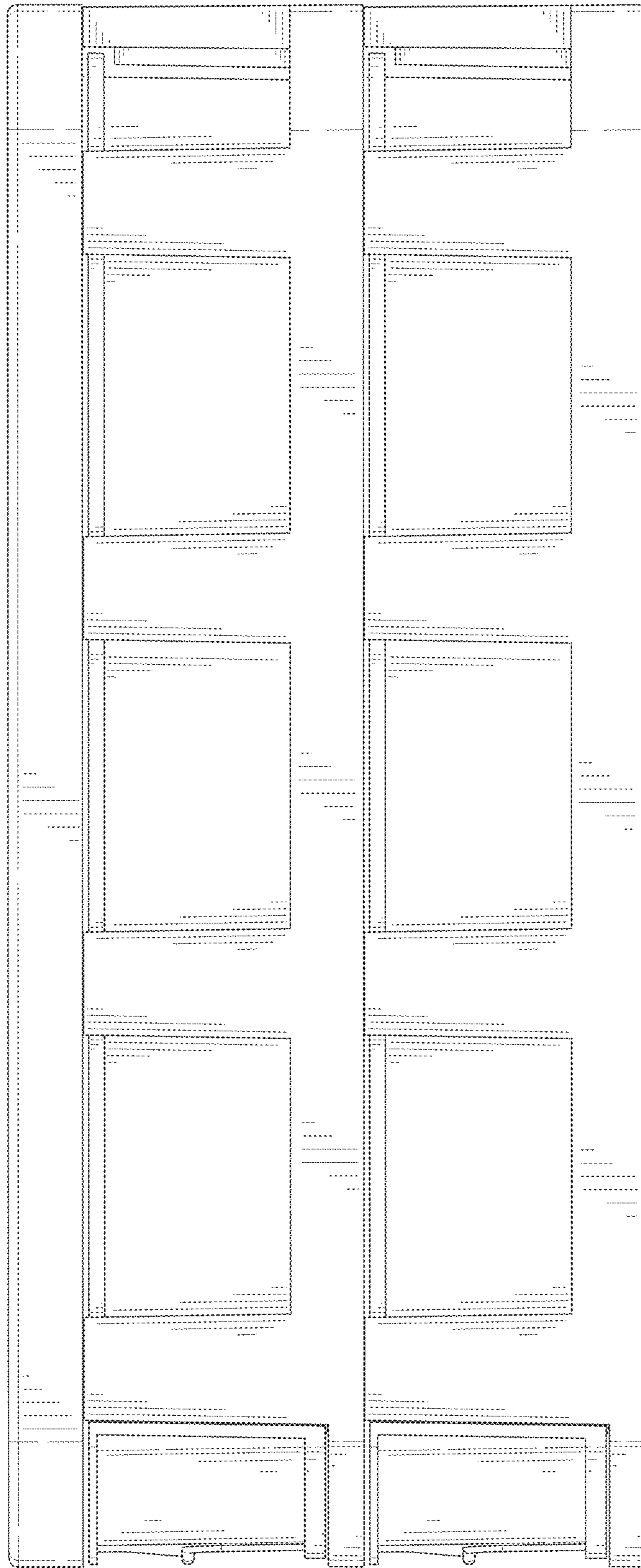


FIG. 4

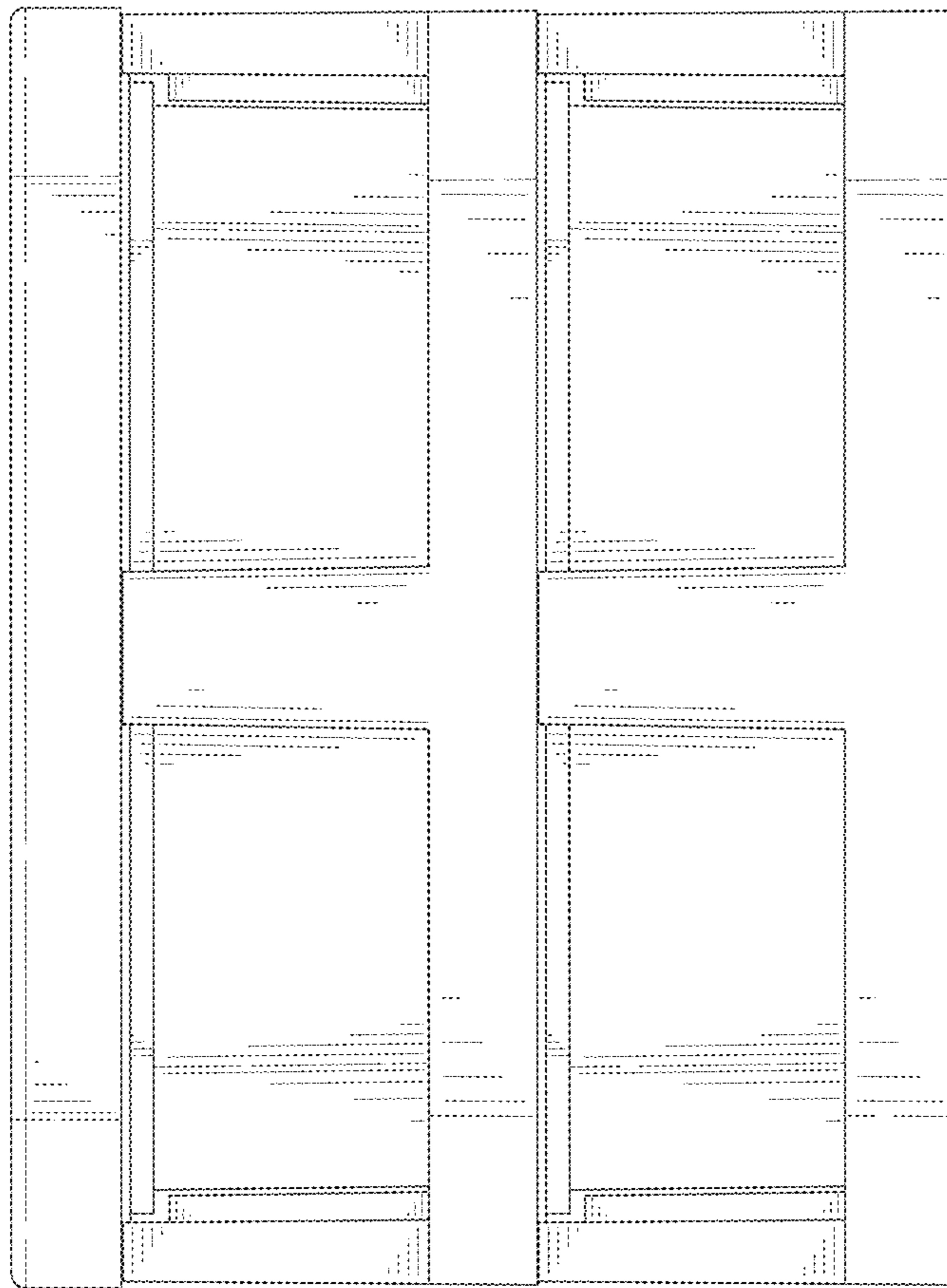


FIG. 5

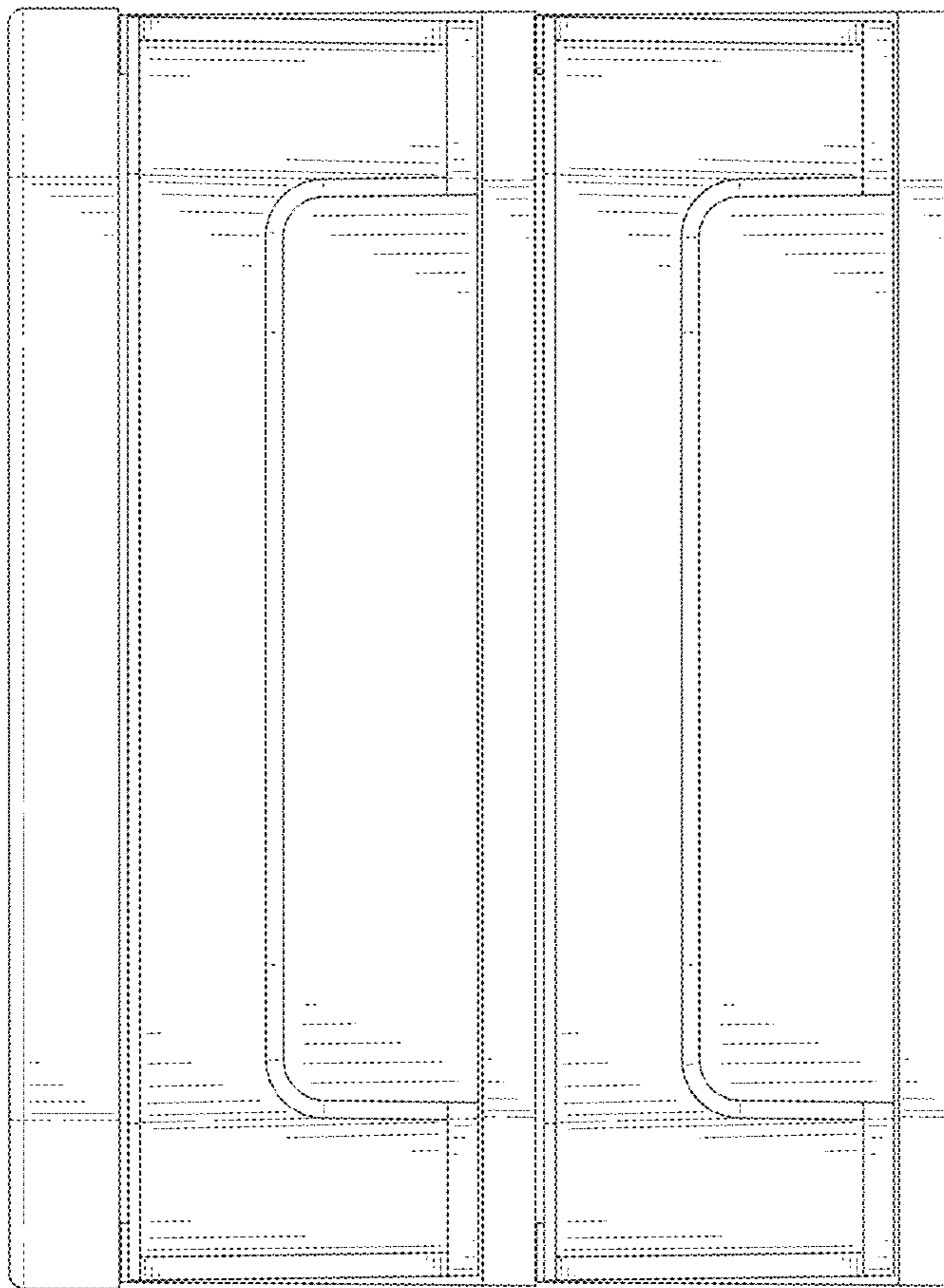


FIG. 6

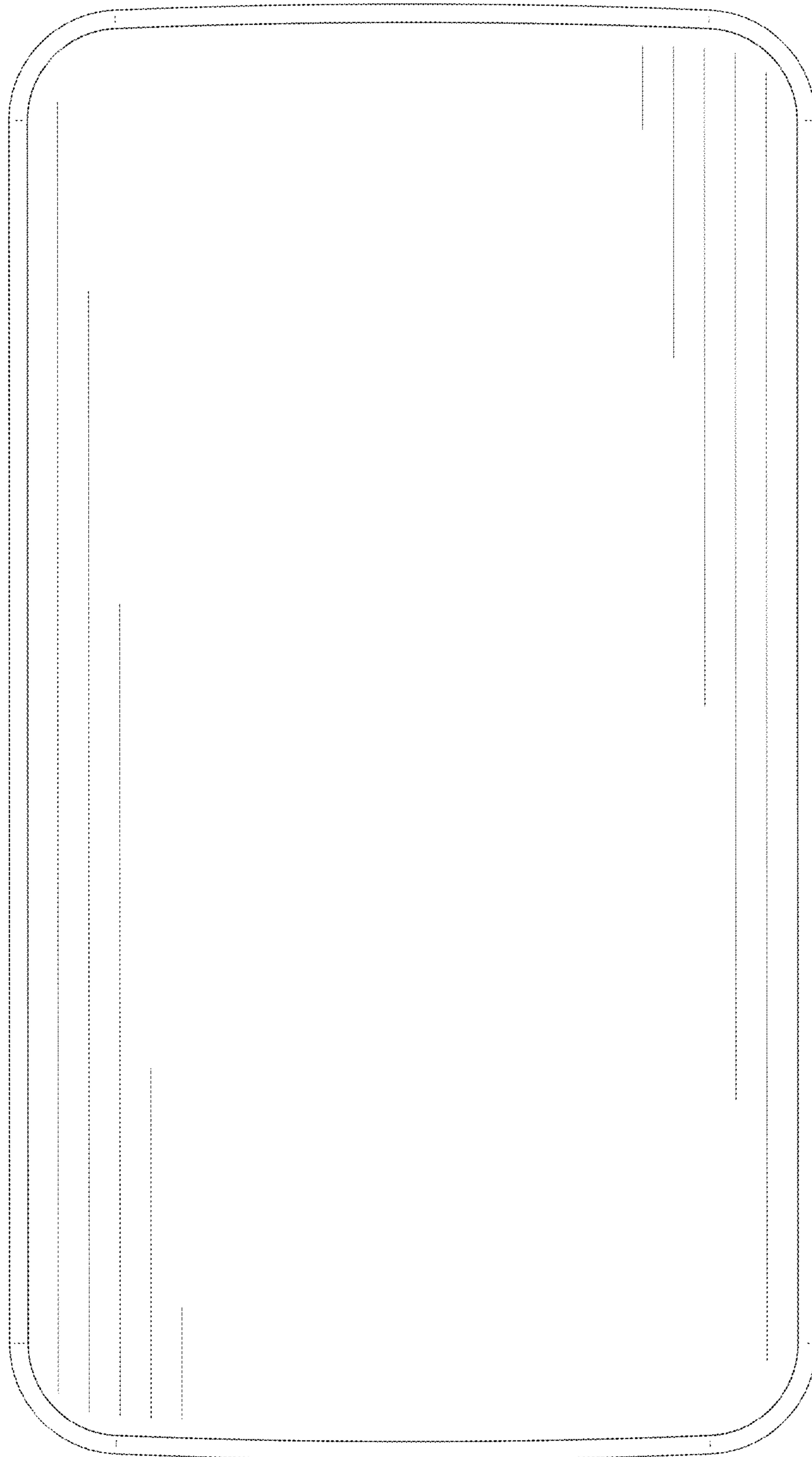


FIG. 7



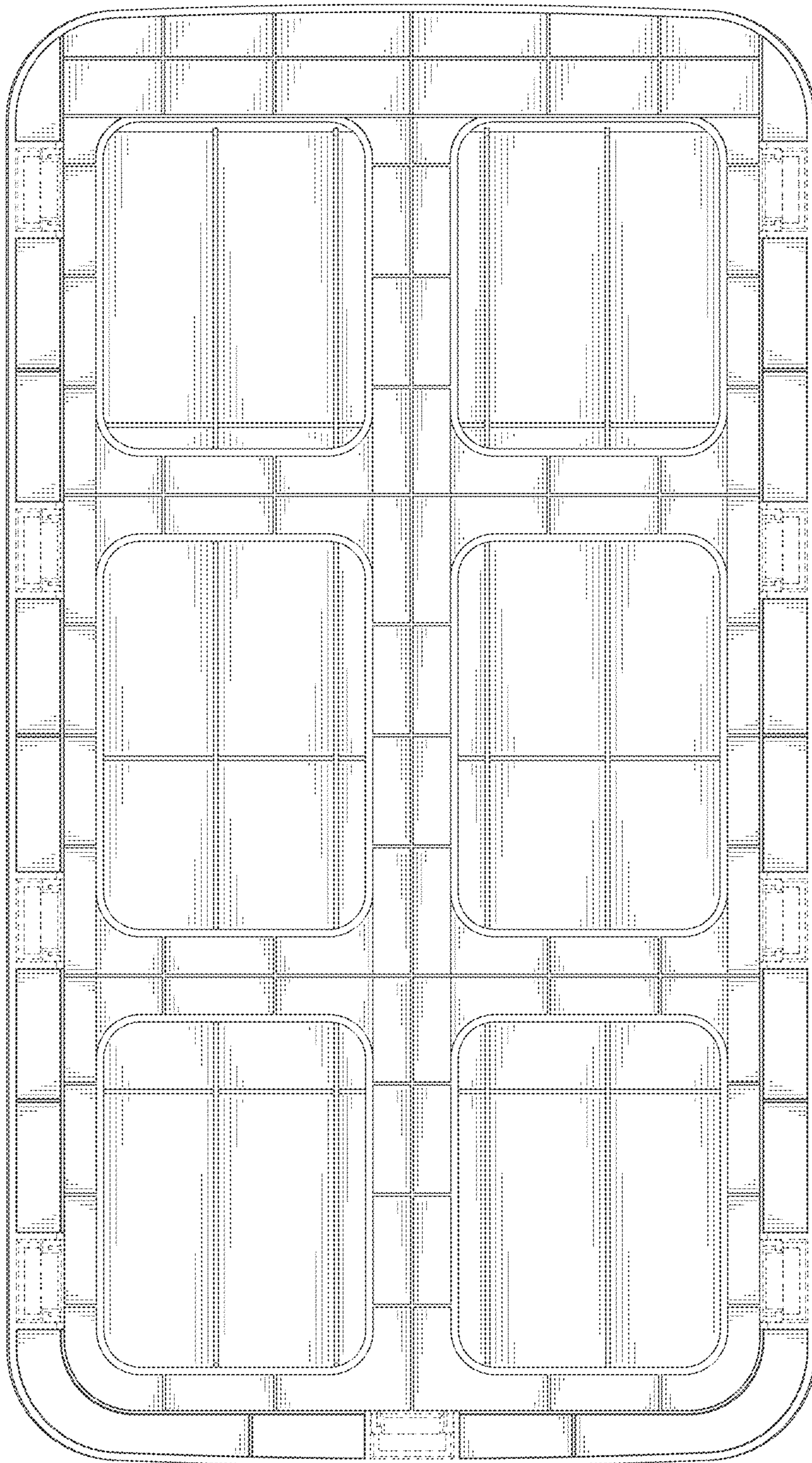


FIG. 8

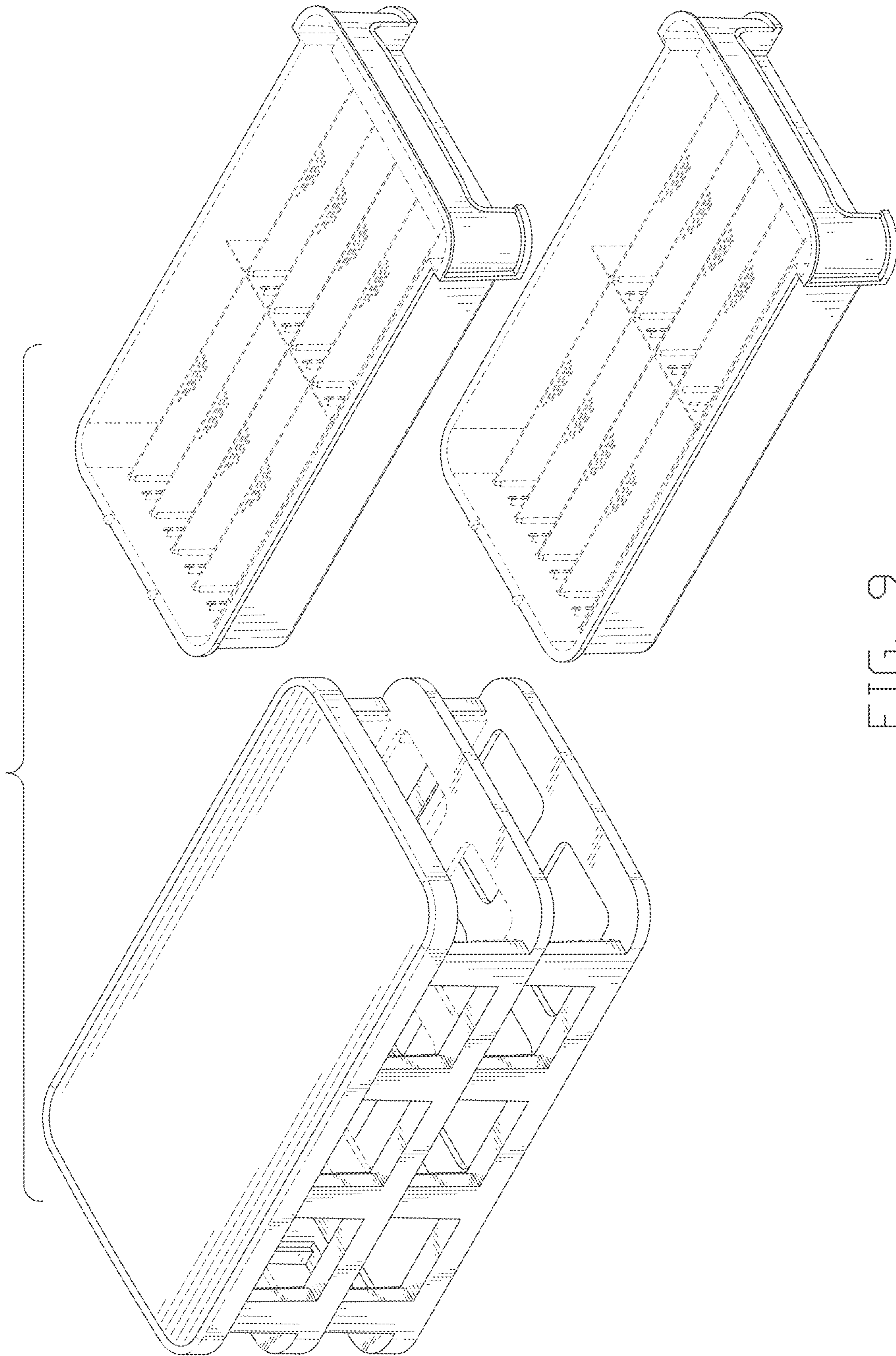


FIG. 9