



US00D983521S

(12) **United States Design Patent**
Yang

(10) **Patent No.:** **US D983,521 S**
(45) **Date of Patent:** **** Apr. 18, 2023**

(54) **SUITCASE**

D905,961 S * 12/2020 Sanz D3/279
D918,582 S 5/2021 Chen
D951,634 S * 5/2022 Tong D3/279

(71) Applicant: **Shenzhen Haochuang Network Technology Co., Ltd., Shenzhen (CN)**

(72) Inventor: **Jinsheng Yang, Shenzhen (CN)**

(**) Term: **15 Years**

(21) Appl. No.: **29/839,055**

(22) Filed: **May 18, 2022**

(51) **LOC (14) Cl.** **03-01**

(52) **U.S. Cl.**
USPC **D3/279**

(58) **Field of Classification Search**
USPC D3/273, 274, 276, 283, 289, 302, 279
CPC A45C 11/00; A45C 2011/001; A45C
2005/032; A45C 5/14
See application file for complete search history.

(56) **References Cited**

U.S. PATENT DOCUMENTS

D485,681 S * 1/2004 Fenton D3/279
D590,595 S * 4/2009 Chu D3/289
D639,555 S * 6/2011 Moon D3/279
D640,868 S * 7/2011 Jongchul D3/902
D791,477 S 7/2017 Liu
D809,294 S * 2/2018 Tong D3/279
D859,834 S * 9/2019 Wu D3/289
D873,008 S 1/2020 Feiglin Dzikowski et al.
D883,671 S * 5/2020 Tong D3/318

OTHER PUBLICATIONS

Amazon, "Showkoo Luggage Sets . . .", First review for the model (with image) Aug. 30, 2021. (<https://www.amazon.com/dp/B0936PG85J/>) (Year: 2021).*

* cited by examiner

Primary Examiner — April Rivas

(74) *Attorney, Agent, or Firm* — Rumi Ranjit Kanakia

(57) **CLAIM**

The ornamental design for a suitcase, as shown and described.

DESCRIPTION

FIG. 1 is a front perspective view of a suitcase showing my new design;
FIG. 2 is a rear perspective view thereof;
FIG. 3 is a front view thereof;
FIG. 4 is a back view thereof;
FIG. 5 is a left side view thereof;
FIG. 6 is a right side view thereof;
FIG. 7 is a top view thereof; and,
FIG. 8 is a bottom view thereof.
The broken lines shown in the drawings depict portions of the suitcase that form no part of the claimed design.

1 Claim, 8 Drawing Sheets

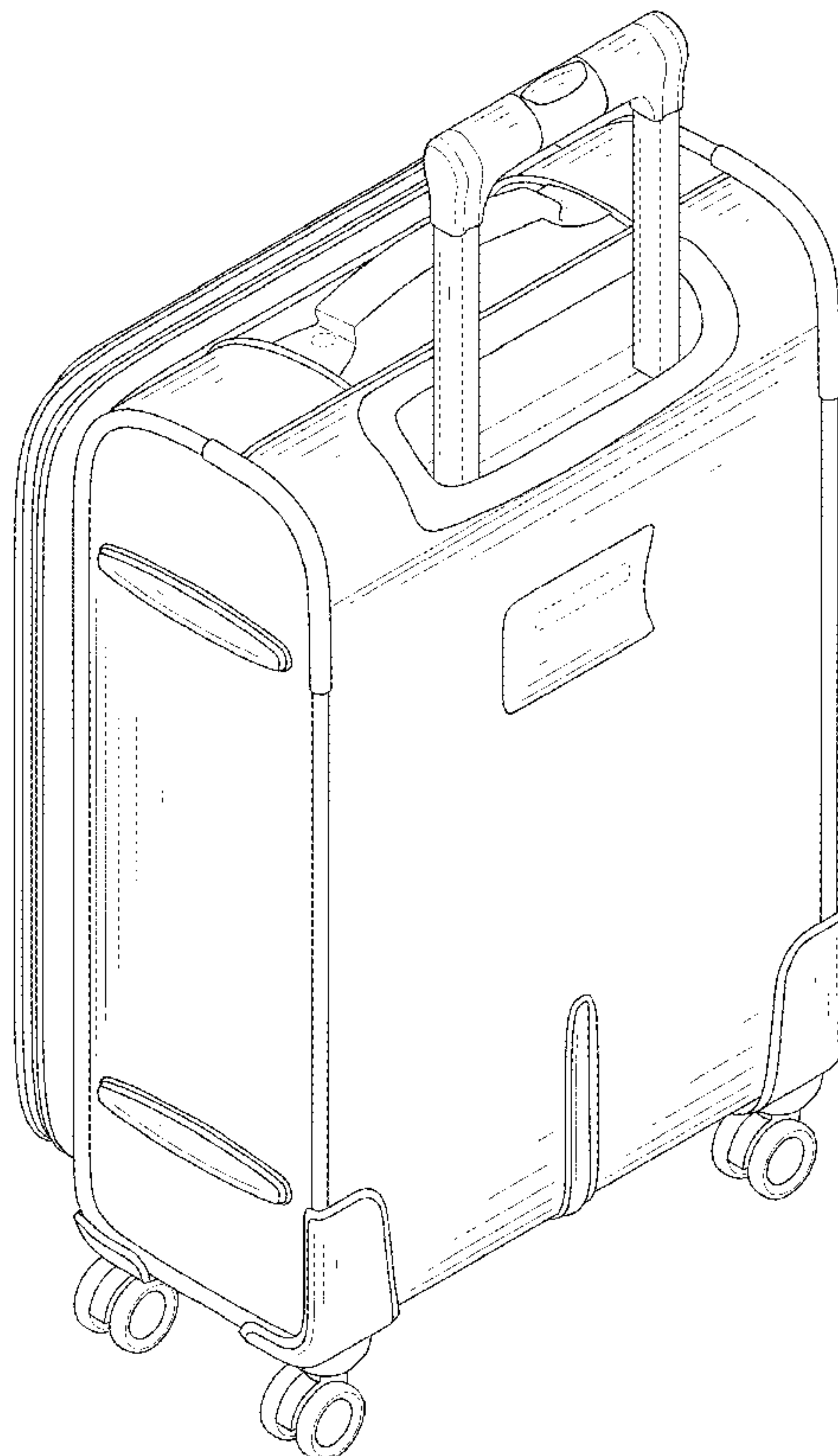




FIG. 1

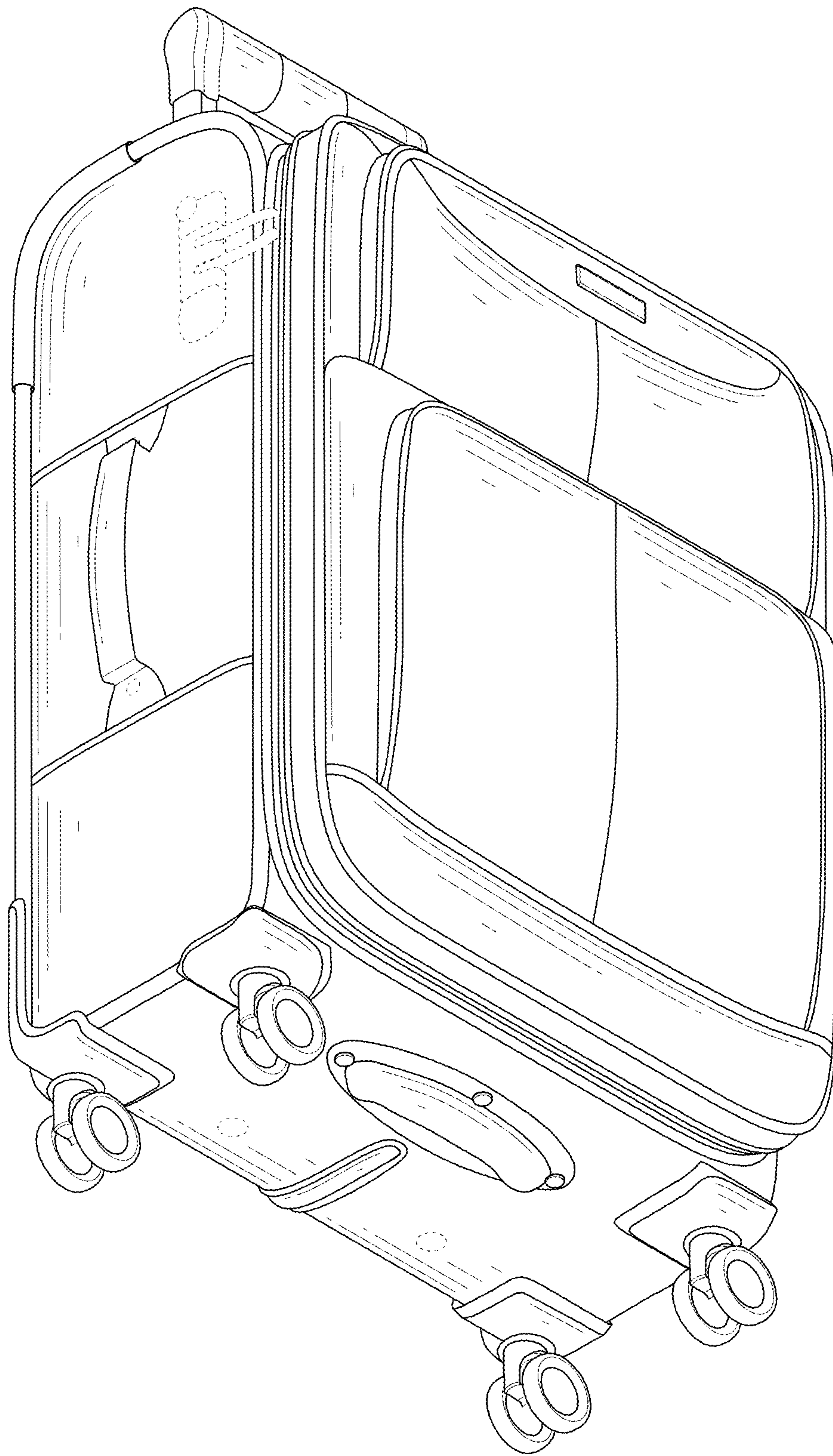


FIG. 2

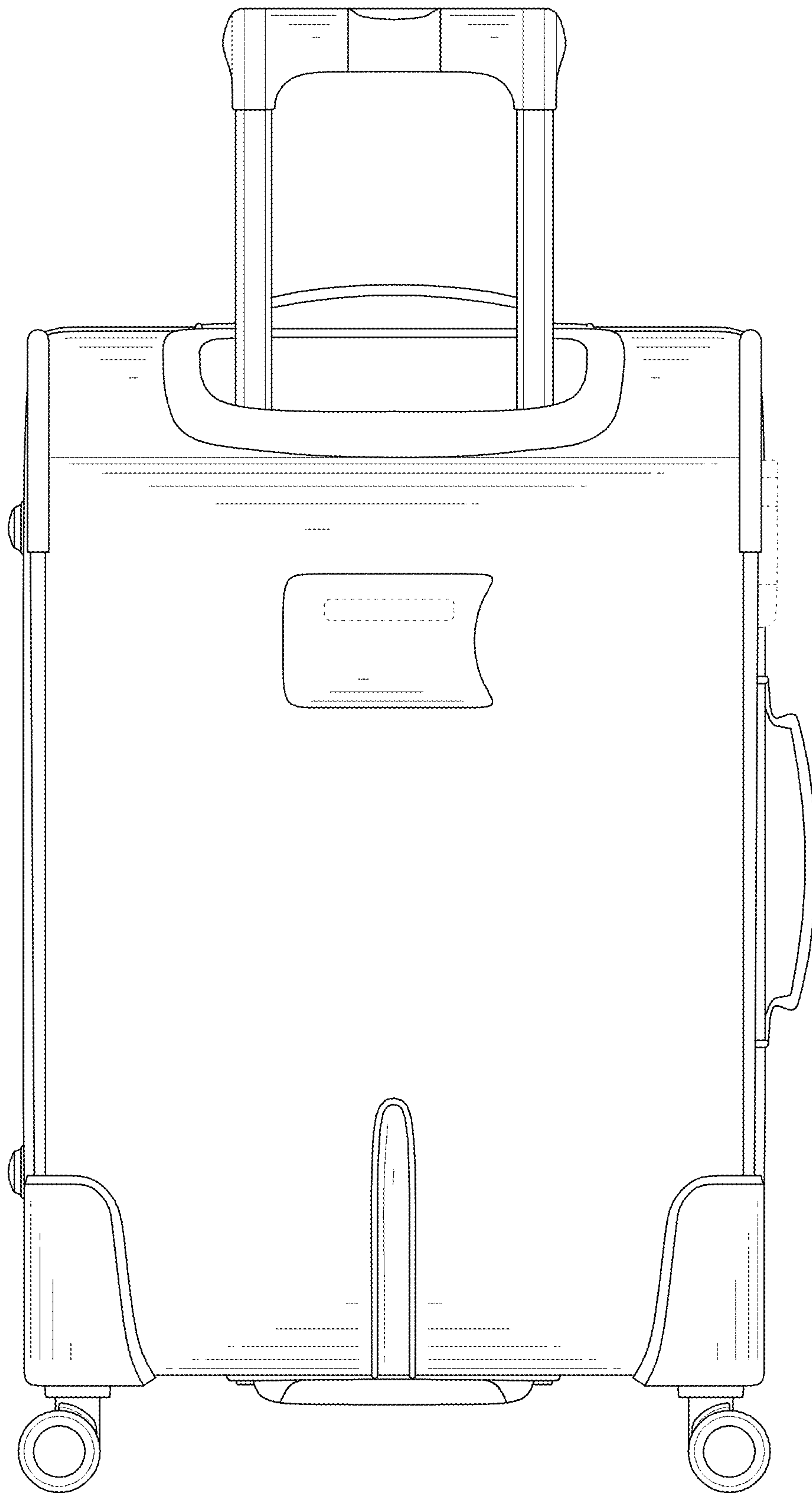


FIG. 3

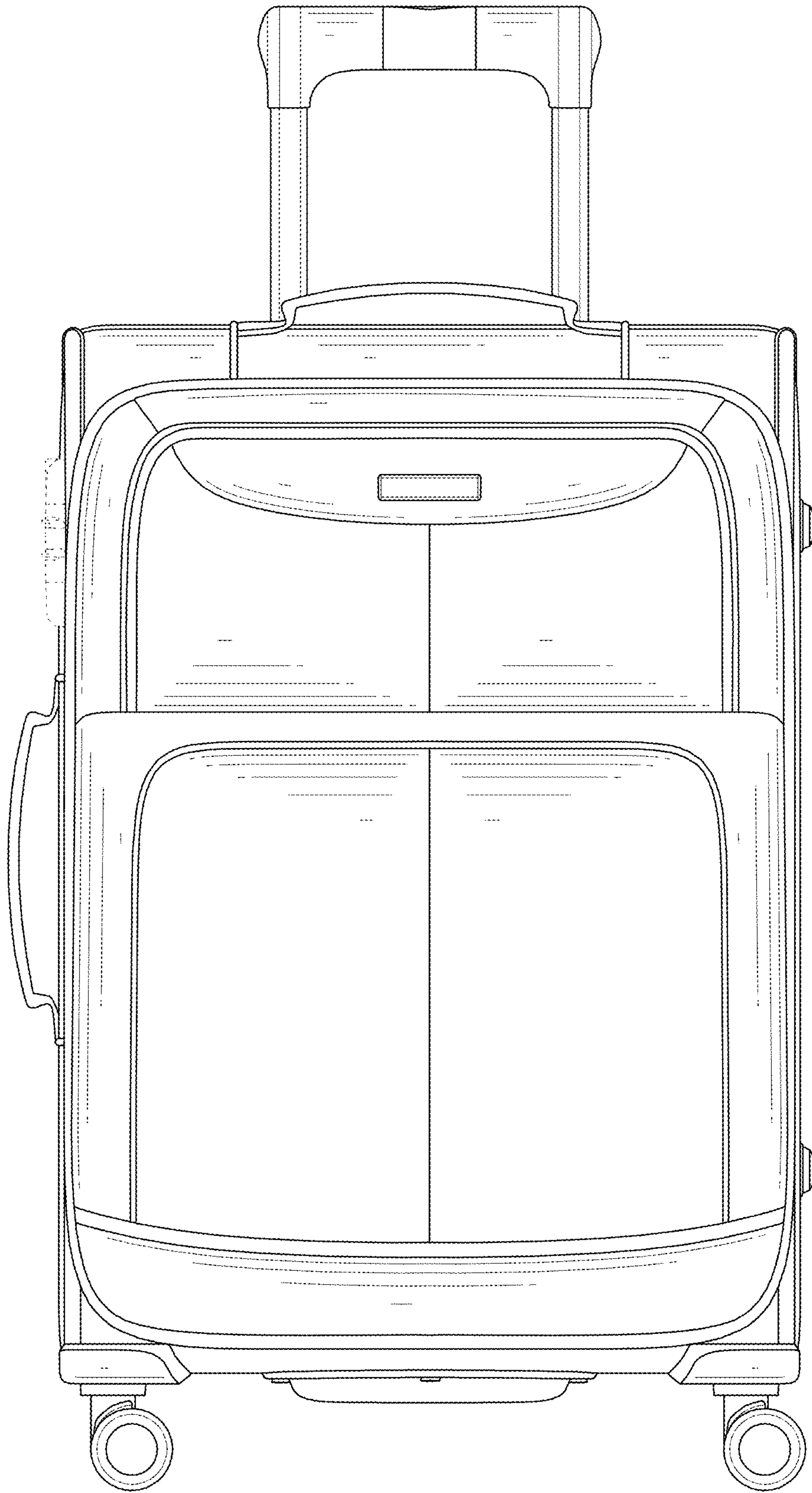


FIG. 4

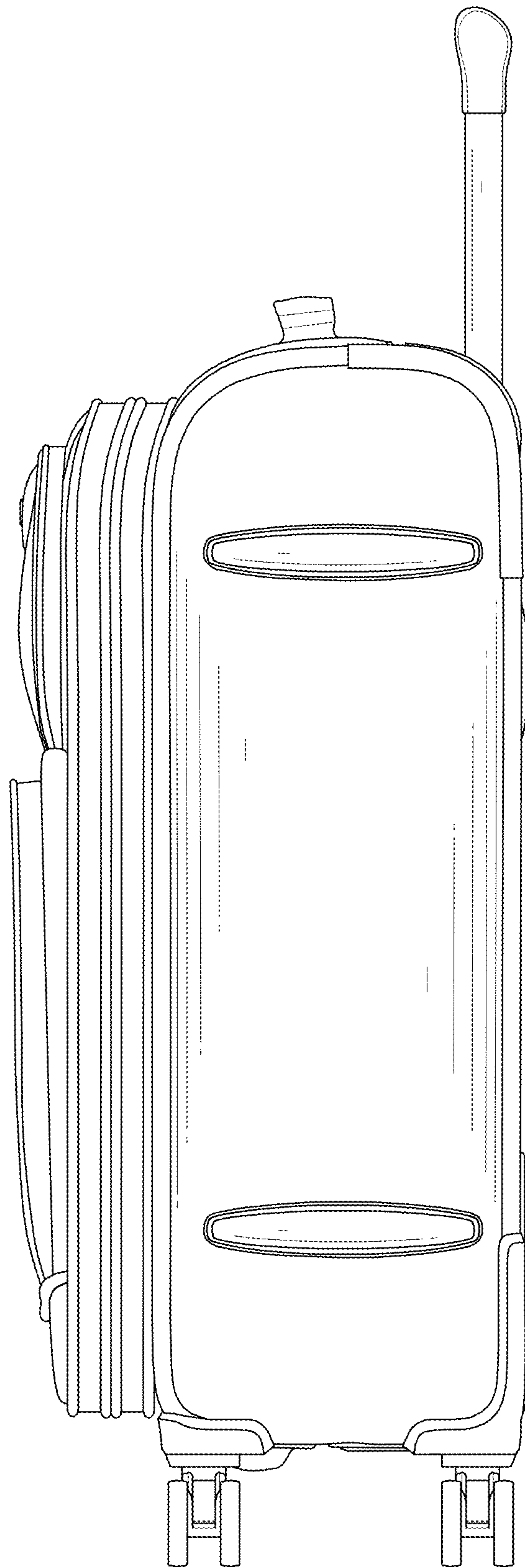


FIG. 5

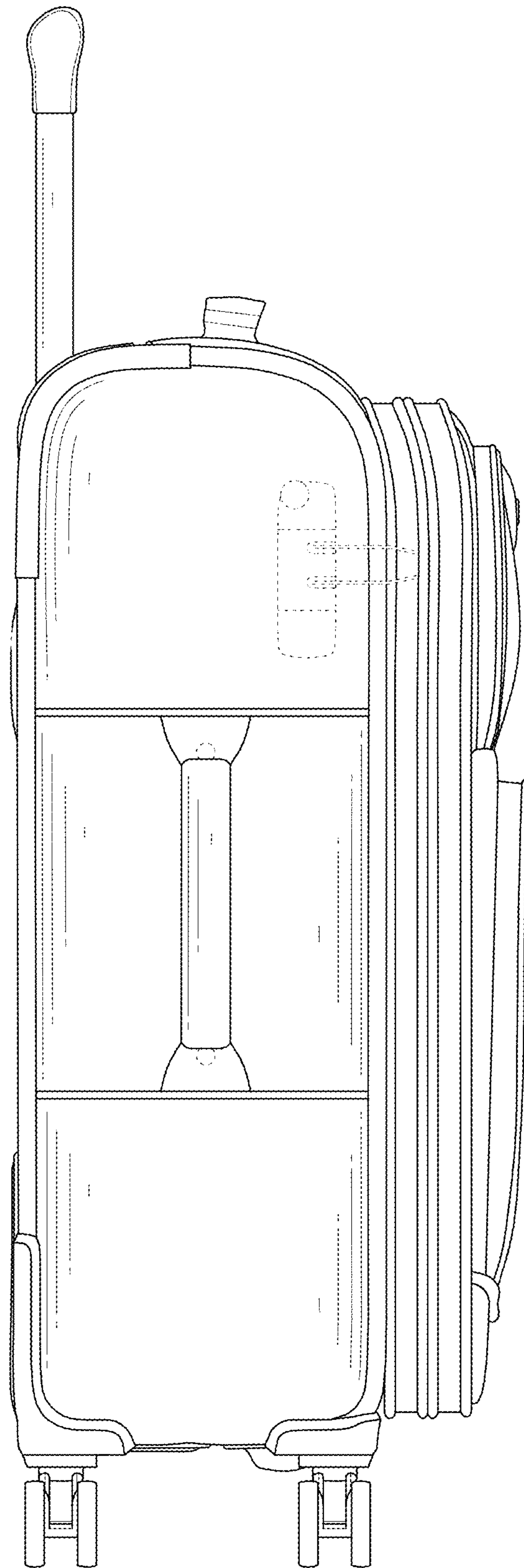


FIG. 6

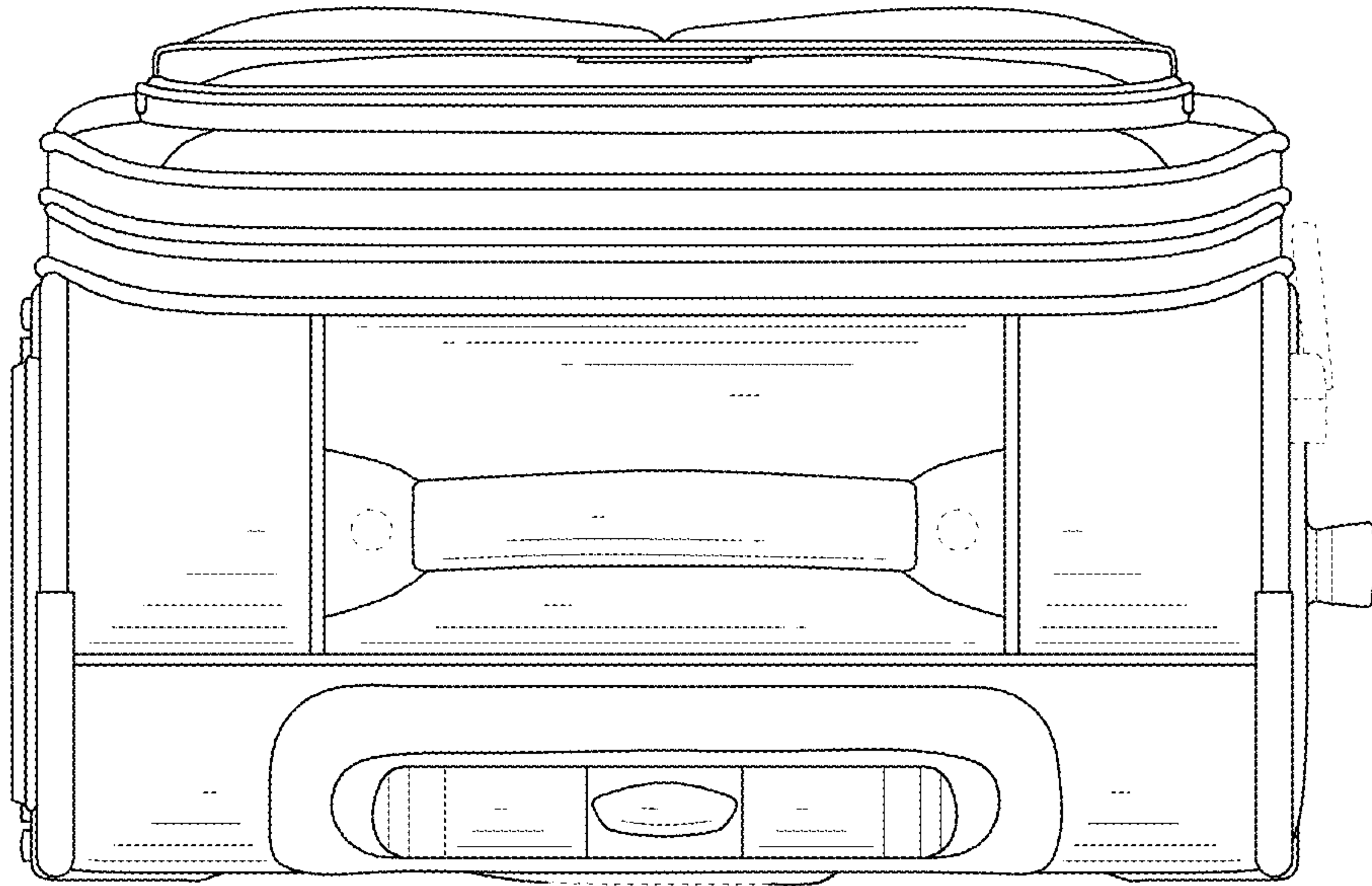


FIG. 7

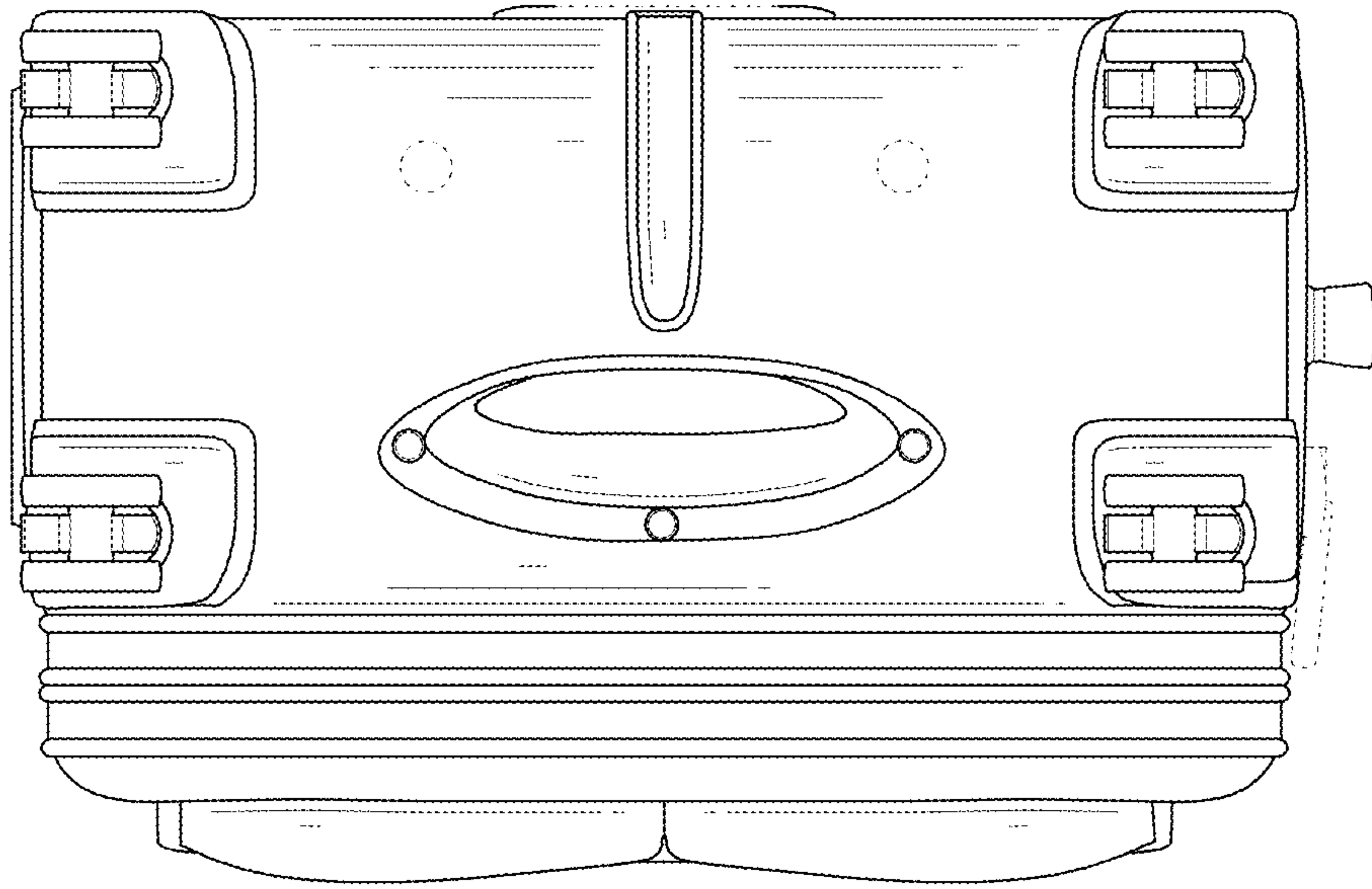


FIG. 8