



US00D983520S

(12) **United States Design Patent** (10) **Patent No.:** **US D983,520 S**  
**Zeng** (45) **Date of Patent:** **\*\* Apr. 18, 2023**

(54) **CARD CASE**

(71) Applicant: **Zhi Zeng**, Shenzhen (CN)

(72) Inventor: **Zhi Zeng**, Shenzhen (CN)

(\*\*) Term: **15 Years**

(21) Appl. No.: **29/852,225**

(22) Filed: **Sep. 5, 2022**

(51) **LOC (14) Cl.** ..... **03-01**

(52) **U.S. Cl.**  
USPC ..... **D3/250**

(58) **Field of Classification Search**  
USPC ..... D3/247, 249–253, 303  
CPC .. A45C 1/06; A45C 11/04; A45C 3/06; A45C  
3/02; A45C 13/02  
See application file for complete search history.

(56) **References Cited**

U.S. PATENT DOCUMENTS

D685,577 S *	7/2013	Dietrich	.....	D3/294
D725,385 S *	3/2015	Ming	.....	D3/247
D768,382 S *	10/2016	Wu	.....	D3/247
D768,383 S *	10/2016	Wu	.....	D3/247
D810,429 S *	2/2018	Kitchen	.....	D3/247
D811,730 S	3/2018	Pullum		
D844,322 S *	4/2019	Bo	.....	D3/247
D860,645 S *	9/2019	Wu	.....	D3/247
D878,752 S *	3/2020	Dietrich	.....	A45C 11/00 D3/247
D880,855 S	4/2020	Lu		
D884,339 S *	5/2020	Li	.....	D20/27
D887,708 S	6/2020	Tran et al.		
D892,496 S	8/2020	Lindo		

D895,964 S	9/2020	Grafilo		
D898,354 S	10/2020	Hoffman		
D903,313 S	12/2020	Huang et al.		
D951,632 S *	5/2022	Tran	.....	D3/247
D954,435 S *	6/2022	Yang	.....	D3/247
D956,415 S *	7/2022	Tran	.....	D3/247
2016/0324283 A1 *	11/2016	Kane	.....	A45C 11/182
2017/0135452 A1 *	5/2017	Kane	.....	A45C 13/185
2020/0229557 A1 *	7/2020	Tran	.....	A45C 1/06
2021/0112935 A1 *	4/2021	Tran	.....	B67B 7/44
2022/0079316 A1 *	3/2022	Goodwin	.....	A45C 13/005

\* cited by examiner

*Primary Examiner* — Jennifer L Watkins  
*Assistant Examiner* — Samantha Lynne Brodowski

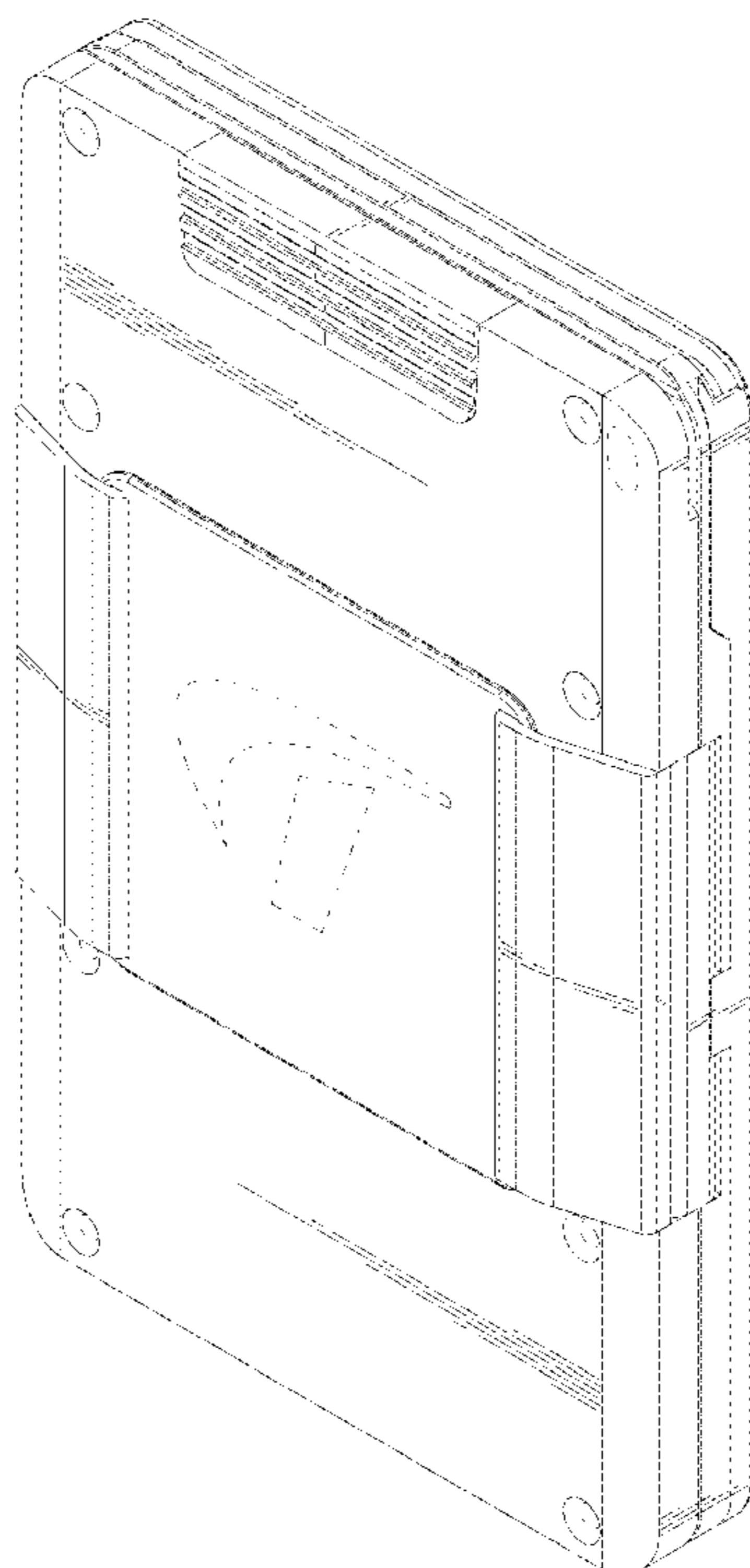
(57) **CLAIM**

The ornamental design for card case, as shown and described.

**DESCRIPTION**

FIG. 1 is a front, right, and top perspective view of a card case, showing my new design;  
FIG. 2 is a rear, right, and bottom perspective view thereof;  
FIG. 3 is a front elevational view thereof;  
FIG. 4 is a rear elevational view thereof;  
FIG. 5 is a left elevational view thereof;  
FIG. 6 is a right elevational view thereof;  
FIG. 7 is a top plan view thereof; and,  
FIG. 8 is a bottom plan view thereof.  
The broken lines depict portions of card case and form no part of the claimed design.

**1 Claim, 8 Drawing Sheets**



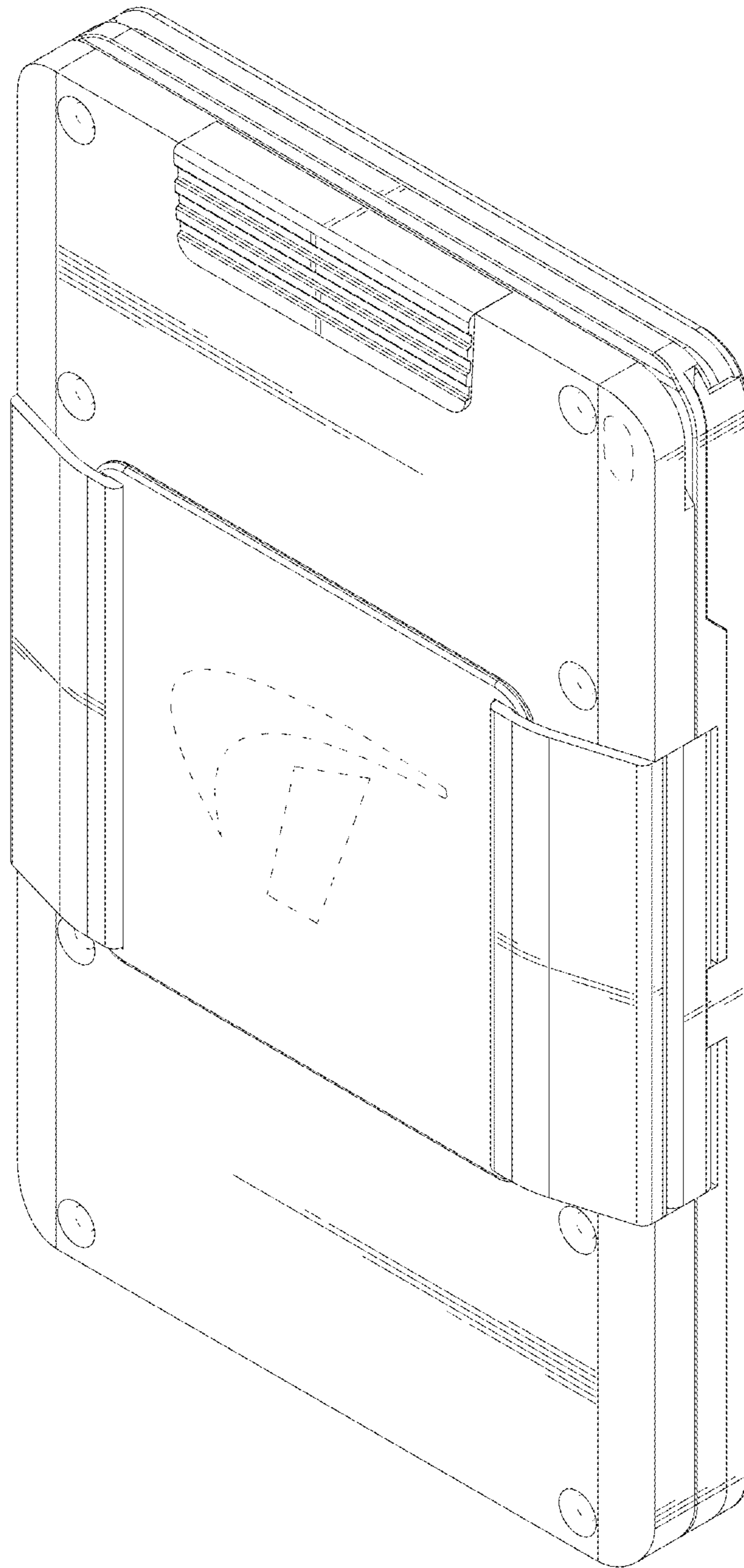


FIG.1

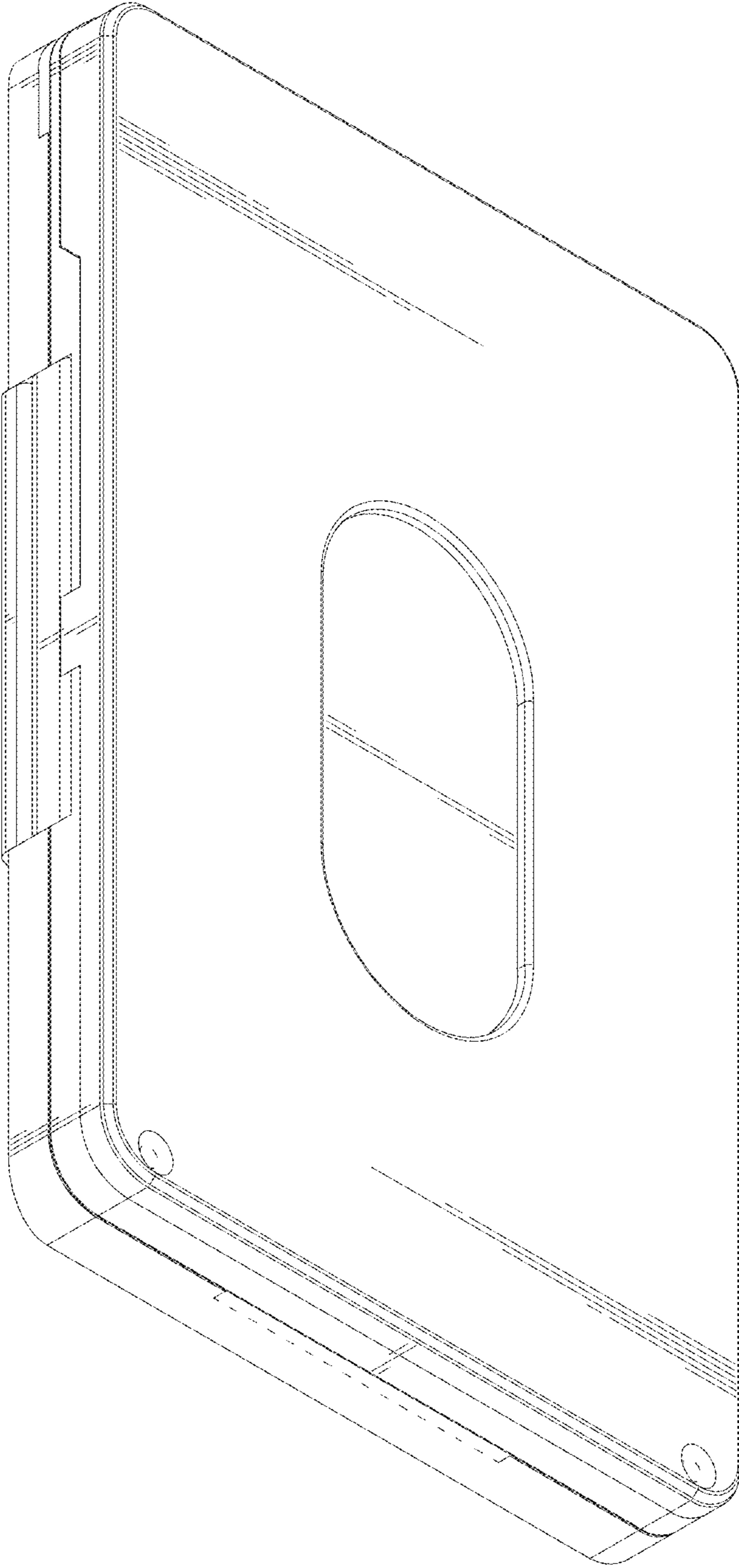


FIG.2

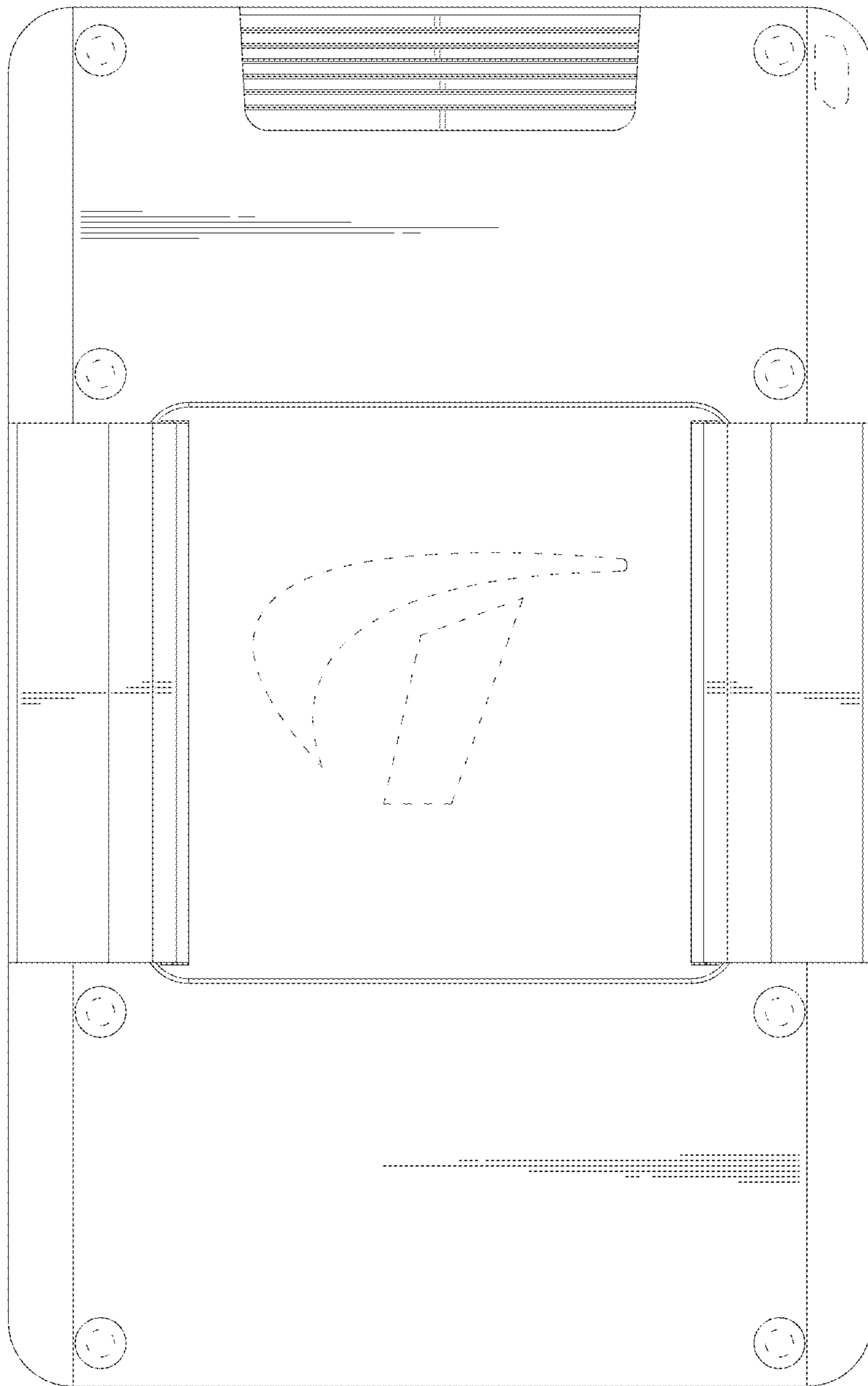


FIG.3

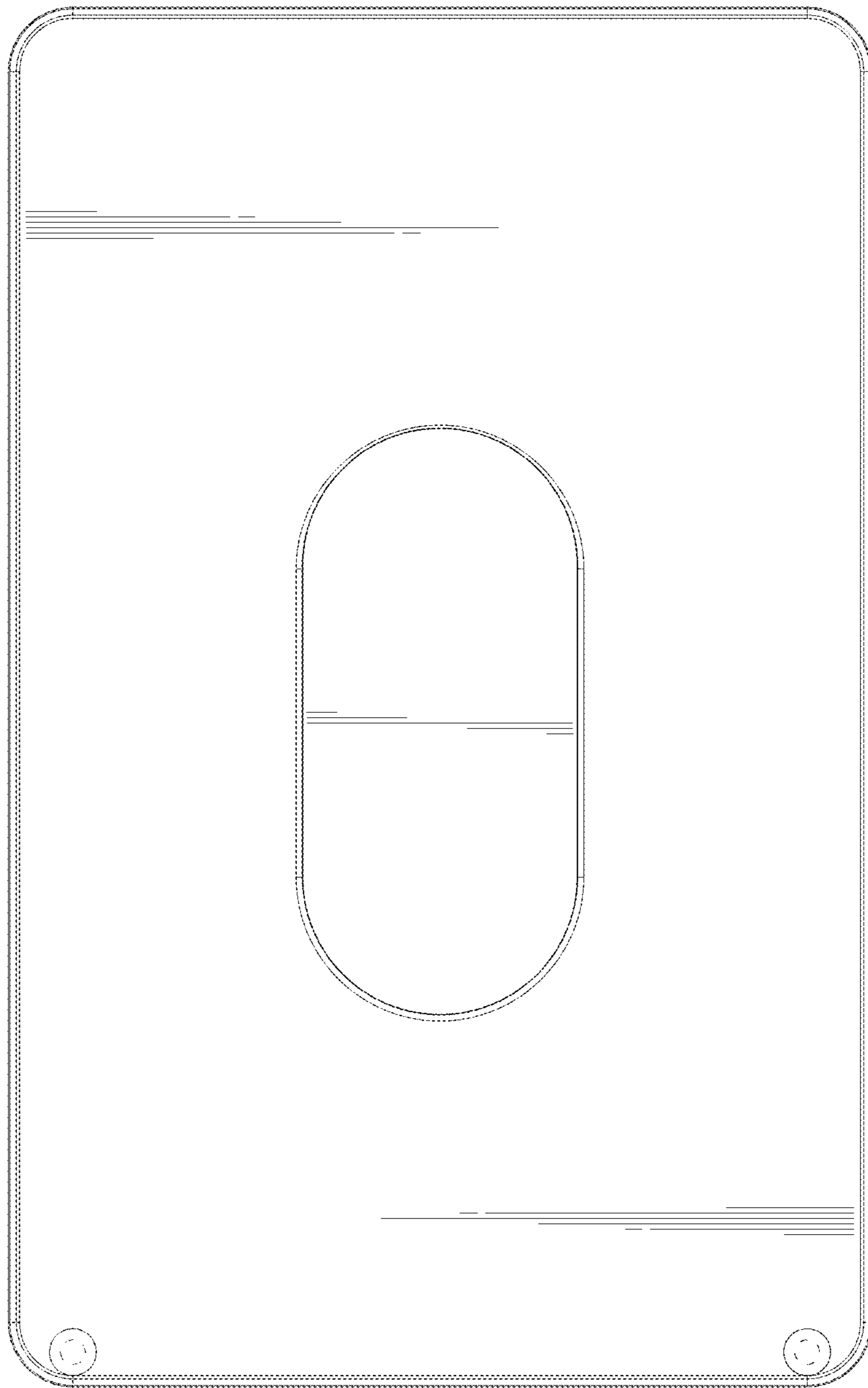


FIG. 4

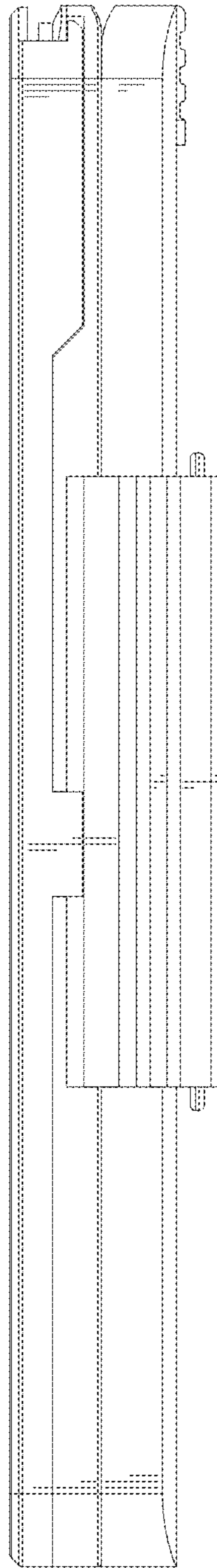


FIG.5

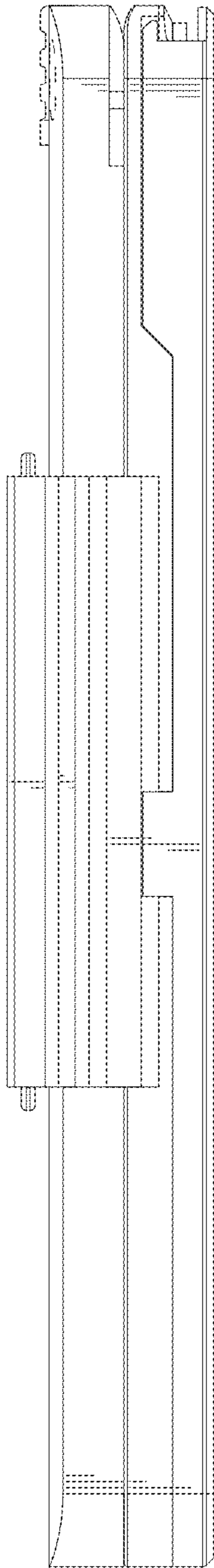


FIG. 6

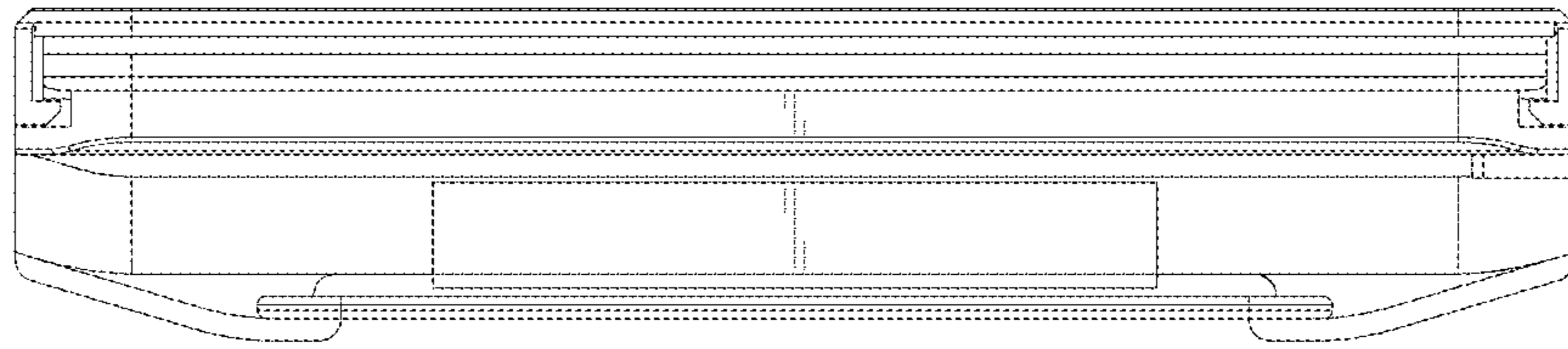


FIG.7



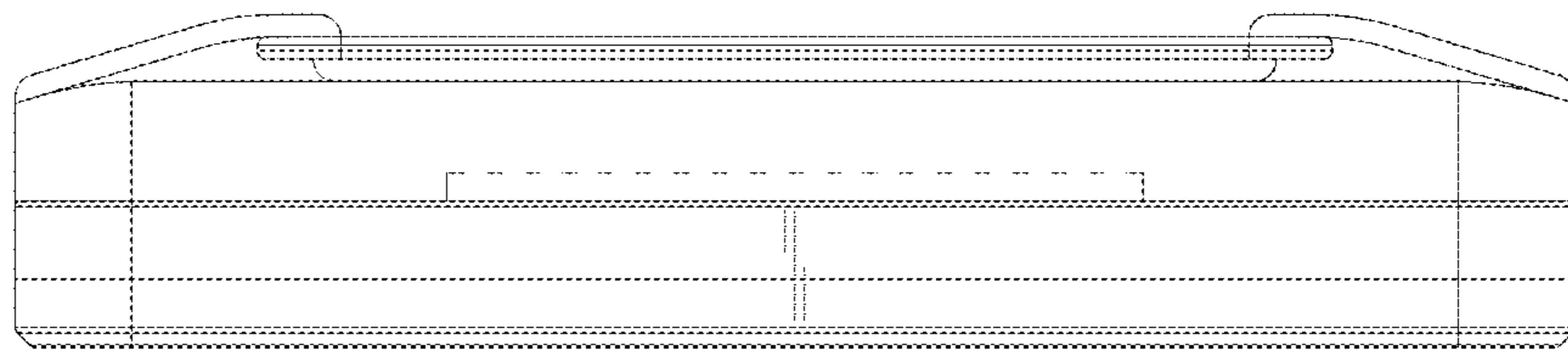


FIG.8