



US00D983517S

(12) **United States Design Patent** (10) **Patent No.:** **US D983,517 S**
Chen (45) **Date of Patent:** **** Apr. 18, 2023**

(54) **GYM BAG**
(71) Applicant: **Shanghai Bingyu Technology Co., Ltd.**, Shanghai (CN)
(72) Inventor: **Jinyu Chen**, Shanghai (CN)
(**) Term: **15 Years**
(21) Appl. No.: **29/841,325**
(22) Filed: **Jun. 5, 2022**
(51) **LOC (14) Cl.** **03-01**
(52) **U.S. Cl.**
USPC **D3/216**
CPC **A45C 3/00** (2013.01)
(58) **Field of Classification Search**
USPC D3/216, 217, 260, 262, 273, 276,
D3/283-294, 299, 301, 315, 904;
D7/605, 607
CPC A45C 3/00; A45C 2003/007; A45C
2003/008; A45C 5/00; A45C 5/03; A45C
5/06; A45C 2005/032; A45C 2005/035;
A45C 2005/037; A45C 7/00; A45C
7/0059; A45C 7/0063; A45F 3/02; A45F
2200/05; A45F 2200/0591
See application file for complete search history.

D308,916 S * 7/1990 Dinham D12/416
D312,349 S * 11/1990 Pogue D12/416
D323,237 S * 1/1992 Zoltie D3/217
D324,953 S * 3/1992 Swanner D12/416
D338,779 S * 8/1993 Albert D3/217
D355,297 S 2/1995 Ash, Jr.
D360,182 S * 7/1995 Lovett D3/217
5,649,658 A * 7/1997 Hoffman A47D 5/006
5/655
D386,300 S * 11/1997 Kopel D3/217
5,694,860 A * 12/1997 Xiao A45F 4/02
224/153
D389,115 S * 1/1998 Alves D12/416
D412,311 S * 7/1999 Silvershein D3/217
5,988,465 A * 11/1999 Vitale A45C 15/00
224/907
D418,972 S 1/2000 Gold
D419,520 S * 1/2000 Bergh D12/416
D425,474 S * 5/2000 Bergh D12/416
D430,534 S * 9/2000 Golenz D12/416
D435,343 S * 12/2000 Eskandry D3/288

(Continued)

Primary Examiner — Richard E Chilcot

(57) **CLAIM**

The ornamental design for a gym bag, as shown and described.

DESCRIPTION

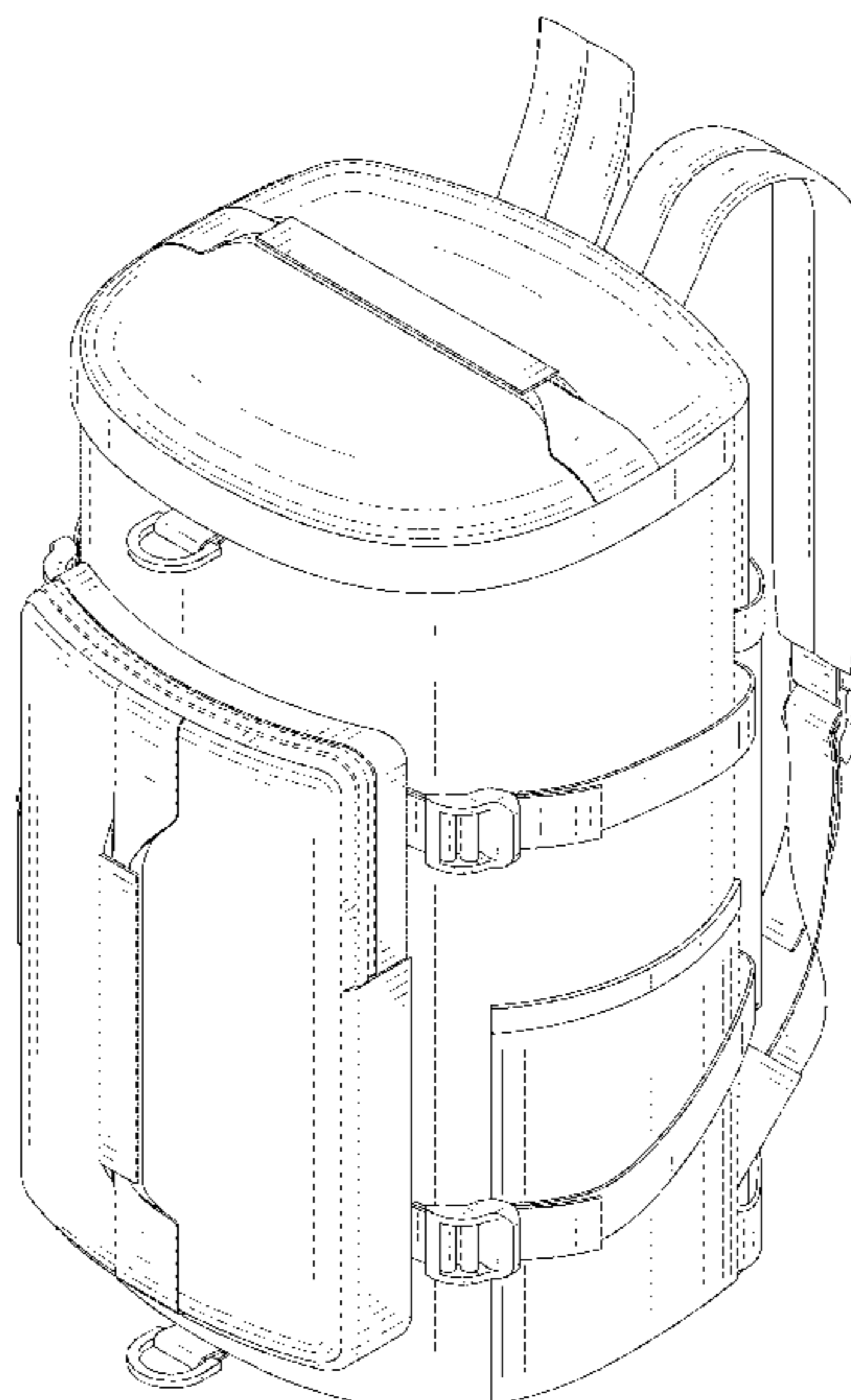
FIG. 1 is a perspective view of a gym bag, showing my new design;
FIG. 2 is another perspective view thereof;
FIG. 3 is a front elevational view thereof;
FIG. 4 is a rear elevational view thereof;
FIG. 5 is a left elevational view thereof;
FIG. 6 is a right elevational view thereof;
FIG. 7 is a top plan view thereof;
FIG. 8 is a bottom plan view thereof; and,
FIG. 9 is a perspective view thereof when being used.
The broken lines in the drawings depict portions of the gym bag that form no part of the claimed design.

1 Claim, 9 Drawing Sheets

(56) **References Cited**

U.S. PATENT DOCUMENTS

1,653,246 A * 12/1927 Zichy A47D 5/006
206/223
2,324,194 A * 7/1943 Campiglia A61F 17/00
D3/217
2,428,795 A * 10/1947 Frazee A45F 4/12
2/69.5
4,513,866 A * 4/1985 Thomas A61F 17/00
190/110
D284,715 S * 7/1986 Jacober D3/289
4,609,084 A * 9/1986 Thomas A61F 17/00
190/110



(56)

References Cited

U.S. PATENT DOCUMENTS

6,161,738	A *	12/2000	Norris	F41H 5/0457	9,044,074	B1 *	6/2015	De Freitas	F41H 1/02
					383/119	D745,264	S *	12/2015	Ford	D3/216
6,174,082	B1 *	1/2001	Pelky	A45C 13/08	D746,050	S *	12/2015	Ford	D3/217
					383/106	D747,104	S *	1/2016	Ford	D3/216
6,193,034	B1 *	2/2001	Fournier	A45C 7/0095	D752,856	S *	4/2016	Marez	D3/217
					206/289	9,320,341	B2 *	4/2016	Majeau	A45F 3/04
6,193,118	B1 *	2/2001	Kearl	A45C 7/0095	D780,525	S *	3/2017	Jacobsen	D7/607
					224/655	D802,295	S *	11/2017	Wu	D3/217
D441,190	S *	5/2001	Eskandry	D3/285	D812,897	S *	3/2018	Cheung	D3/217
6,230,952	B1 *	5/2001	Jupiter	A45F 3/04	D816,990	S *	5/2018	Naito	D3/267
					224/655	D822,834	S *	7/2018	Harper, IV	D24/167
D448,161	S *	9/2001	Holodnicki	D3/217	D835,397	S *	12/2018	Kawamoto et al.		
6,315,178	B1 *	11/2001	Nobata	A45F 3/04	D843,107	S *	3/2019	Swaggart	D3/217
					190/1	D855,311	S *	8/2019	Bergquist	D3/217
6,328,192	B1 *	12/2001	Sundara	A45F 3/047	D856,666	S *	8/2019	Marzin	D3/216
					224/644	10,486,606	B1 *	11/2019	Stabile	B60R 7/08
D457,307	S *	5/2002	Pukall	D3/217	D876,082	S *	2/2020	Jais		
6,402,000	B1 *	6/2002	Stark	B60R 7/04	D881,793	S *	4/2020	Huang	D12/416
					224/563	D889,821	S *	7/2020	Xu	D3/217
6,547,436	B2 *	4/2003	Sutton	A45C 13/26	D890,516	S *	7/2020	Jacobsen	D3/217
					D3/315	D891,091	S *	7/2020	Baldemor	D3/217
D479,186	S *	9/2003	Hassett	D12/416	D891,759	S *	8/2020	Smith	D3/217
D483,940	S *	12/2003	Dolan	D3/217	D893,168	S *	8/2020	Smith		
D485,432	S *	1/2004	Desrochers	D3/217	D893,861	S *	8/2020	Dyk	D3/217
D498,585	S *	11/2004	Darling	D12/416	D893,862	S *	8/2020	Dyk	D3/217
D500,590	S *	1/2005	Sachen	D3/216	D894,602	S *	9/2020	Dyk	D3/301
D534,710	S *	1/2007	Reeves	D2/839	D895,271	S *	9/2020	Enriquez	D3/217
D537,289	S *	2/2007	Eskandry	D6/611	D897,102	S *	9/2020	Seiders et al.		
D552,533	S *	10/2007	Cord	D12/422	D917,160	S *	4/2021	Guyon	D3/217
D579,405	S *	10/2008	Cord	D12/422	D919,962	S *	5/2021	Shi		
D587,644	S *	3/2009	Cord	D12/422	D921,356	S *	6/2021	Cowan	D3/217
D599,107	S *	9/2009	Gold	D3/217	D921,360	S *	6/2021	Wu	D3/233
D611,680	S *	3/2010	Thomas	D3/217	D922,762	S *	6/2021	He		
D632,242	S *	2/2011	Currie	D12/416	D925,908	S *	7/2021	Knoll	D3/217
D635,762	S *	4/2011	Fahim	D3/217	11,154,127	B2 *	10/2021	Maravilla	A45F 3/047
D658,363	S *	5/2012	Biddle	D3/217	D937,574	S *	12/2021	Collins	D3/254
D670,904	S *	11/2012	Gerchen	D3/217	D938,164	S *	12/2021	Orciani	A45C 1/00
D673,362	S *	1/2013	Presman	D3/217						
D677,886	S *	3/2013	Naicken	D3/254	D939,206	S *	12/2021	Baires	D3/217
D685,988	S *	7/2013	Shepherd	D3/217	D941,019	S *	1/2022	Wan		
D686,818	S *	7/2013	Shepherd	D3/217	D942,141	S *	2/2022	Wang		
D690,502	S *	10/2013	Bergquist	D3/217	D944,004	S *	2/2022	Tan		
D693,570	S *	11/2013	Rathbun	D3/217	D961,253	S *	8/2022	Alicusic	D3/289
D699,940	S *	2/2014	Robert			2002/0074251	A1 *	6/2002	Hirshberg	A45C 9/00
D702,434	S *	4/2014	Chalk	A45F 3/04						383/4
					D3/217	2002/0104768	A1 *	8/2002	Nevarez	A45C 3/00
8,820,596	B1 *	9/2014	Bergquist	A45F 4/02						206/315.11
					224/575	2012/0048904	A1 *	3/2012	Scicluna	A45F 3/047
D714,541	S *	10/2014	Anderson	D3/217						224/627
8,960,509	B2 *	2/2015	Rathbun	A45C 3/004	2014/0158737	A1 *	6/2014	Koutouras	A45F 3/04
					224/652						224/653
8,960,511	B2 *	2/2015	Shepherd	A45F 3/14	2015/0129629	A1 *	5/2015	Voggenthaler	A45C 13/02
					442/205						190/115
						2019/0174903	A1 *	6/2019	Holder	A45F 3/06
						2021/0000234	A1 *	1/2021	Kax	B62H 3/02

* cited by examiner

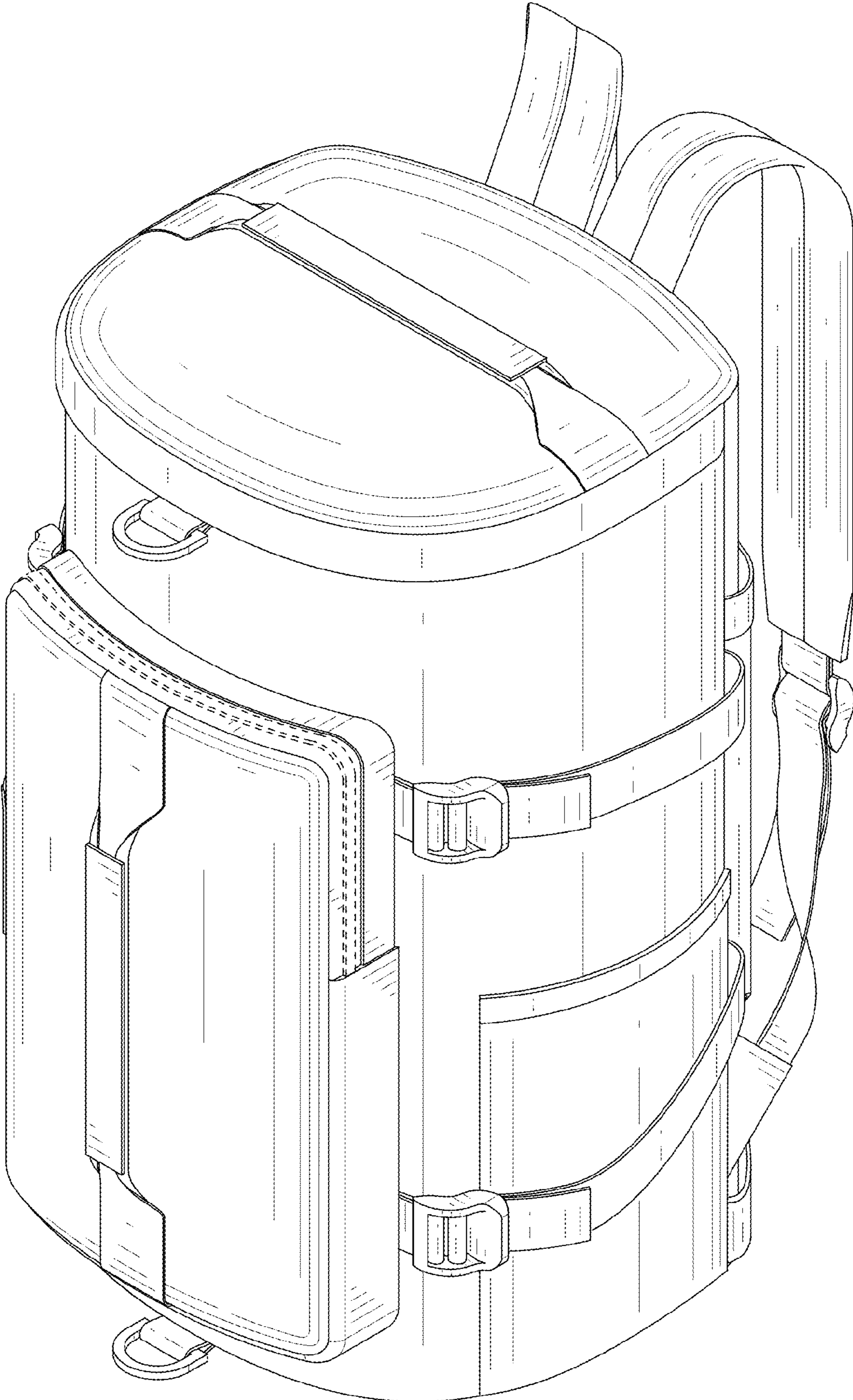


FIG. 1

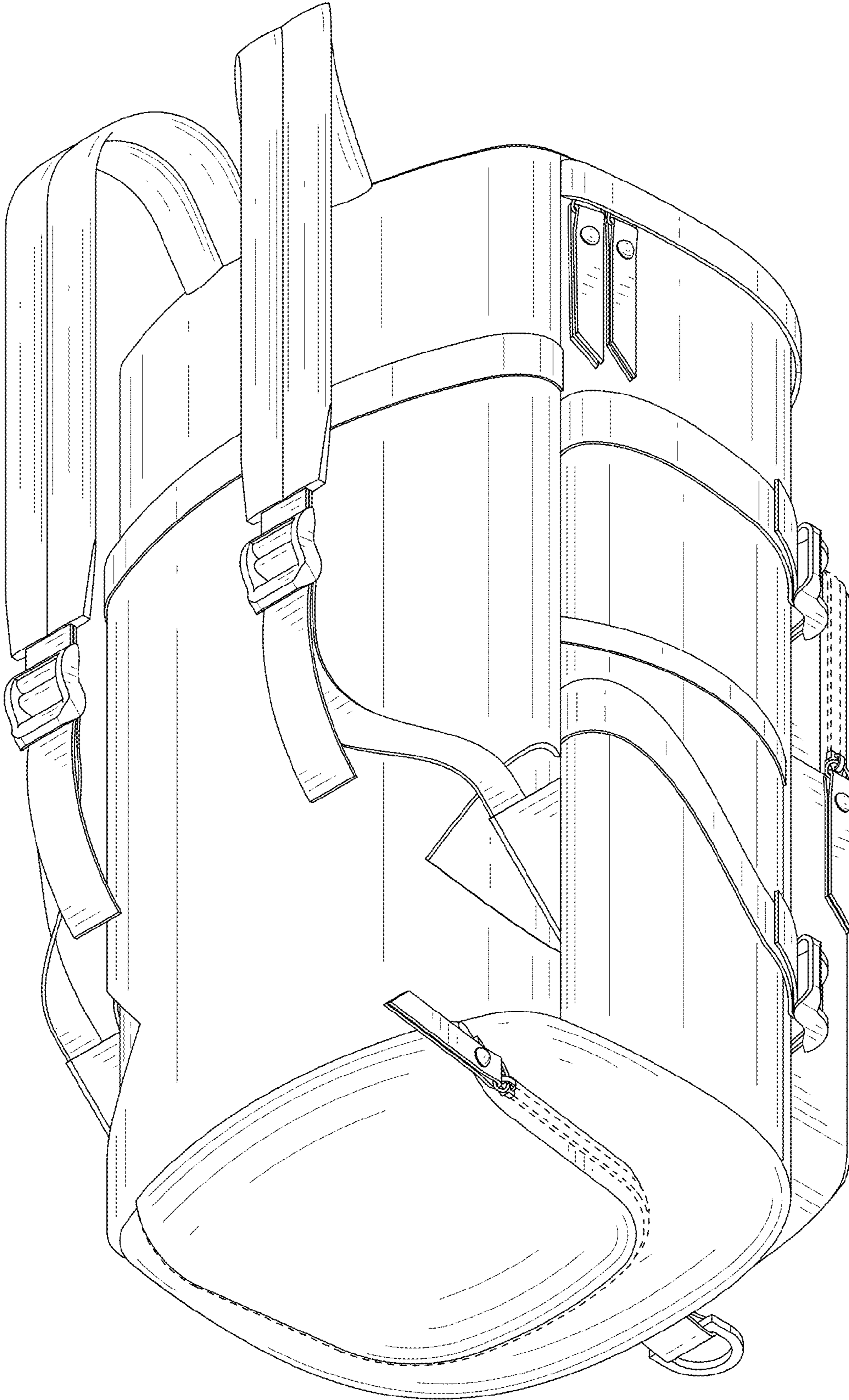


FIG. 2

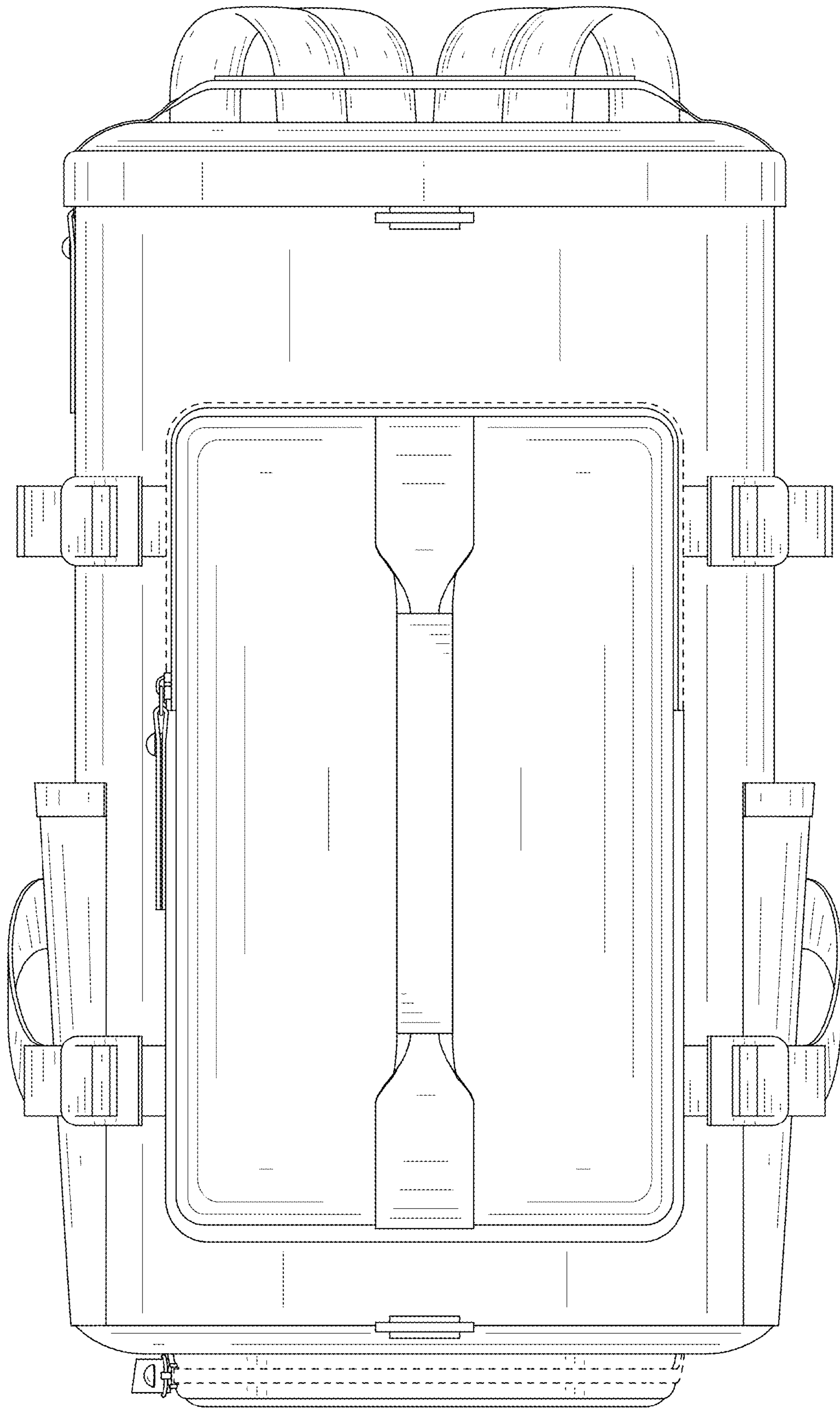


FIG. 3

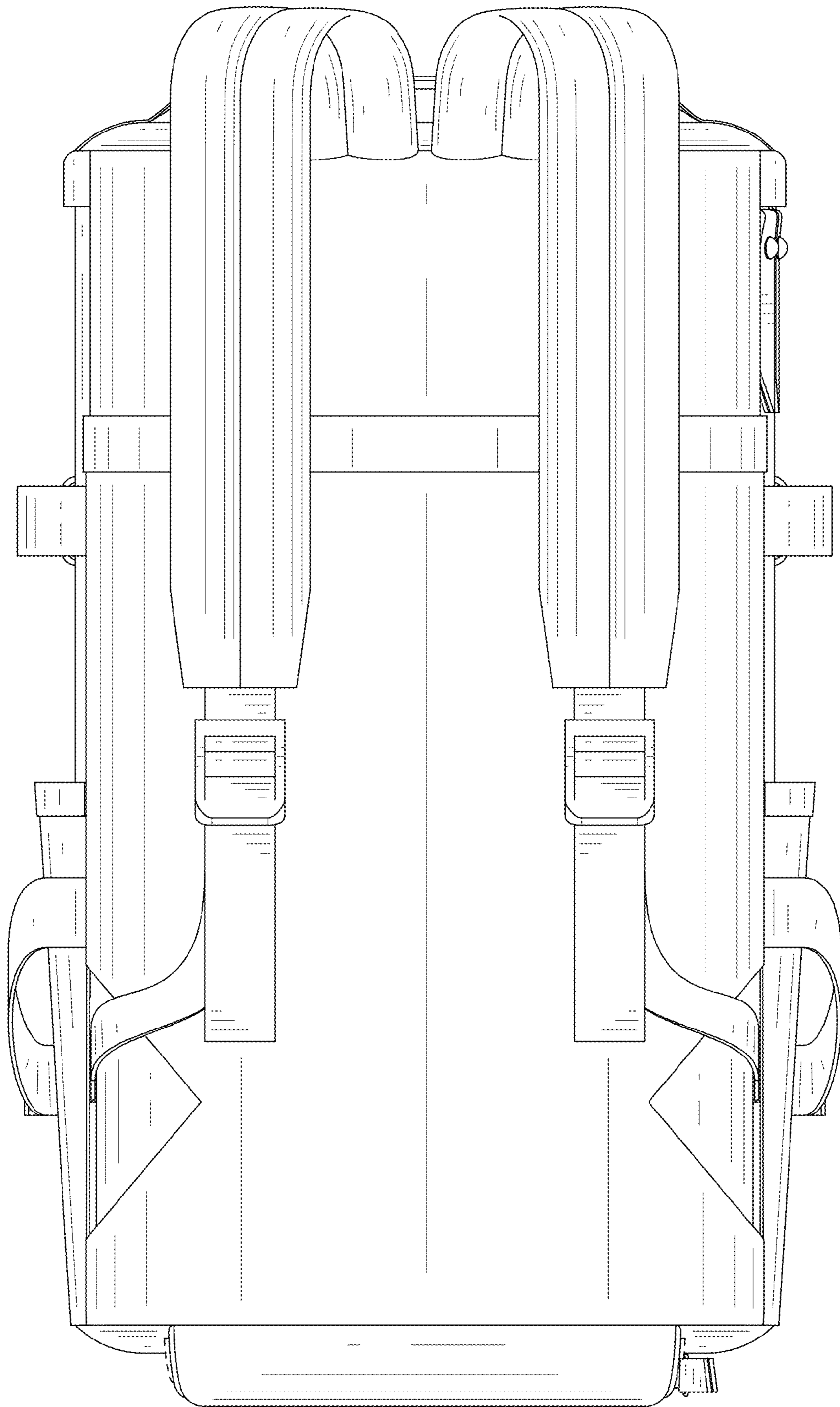


FIG. 4

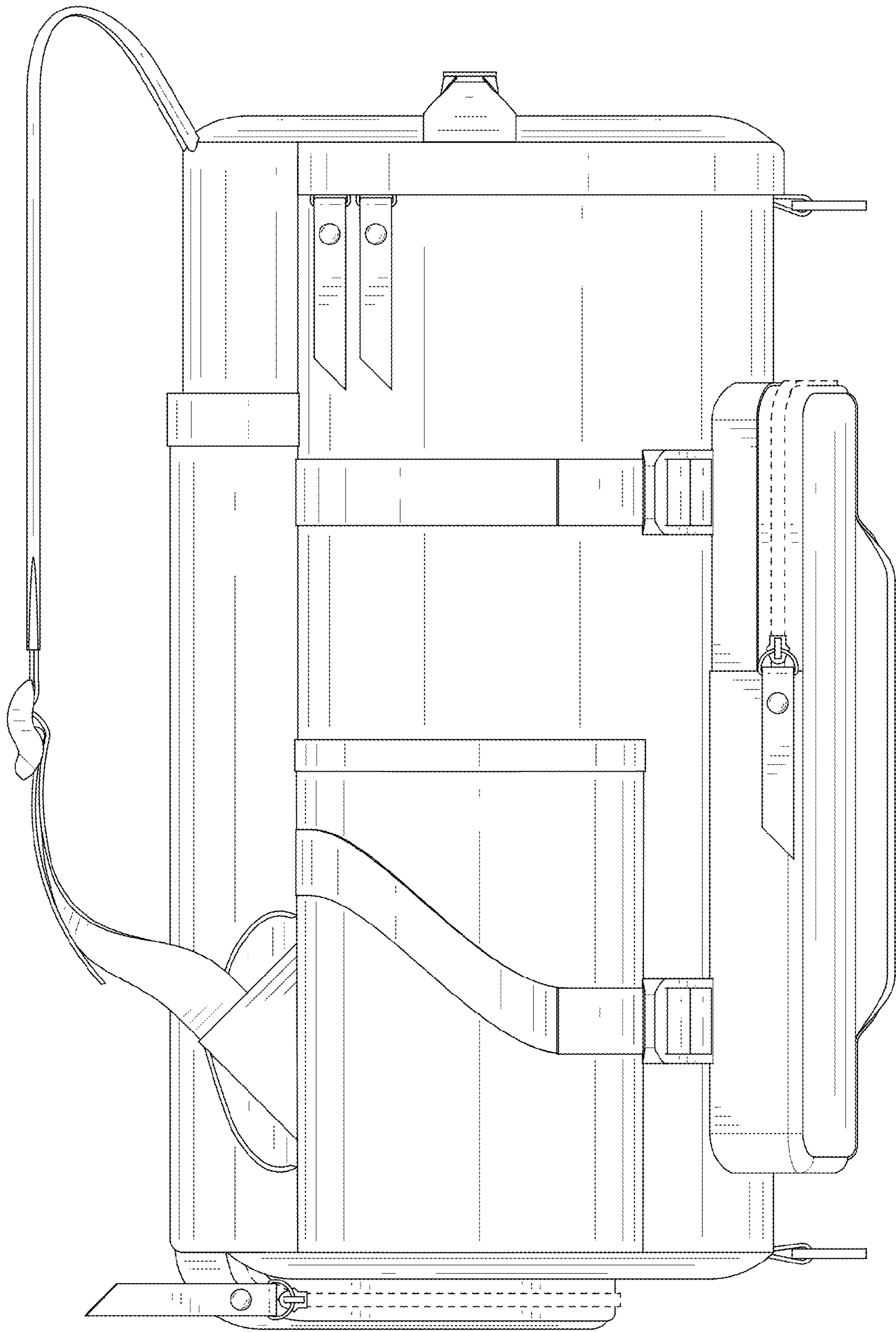


FIG. 5

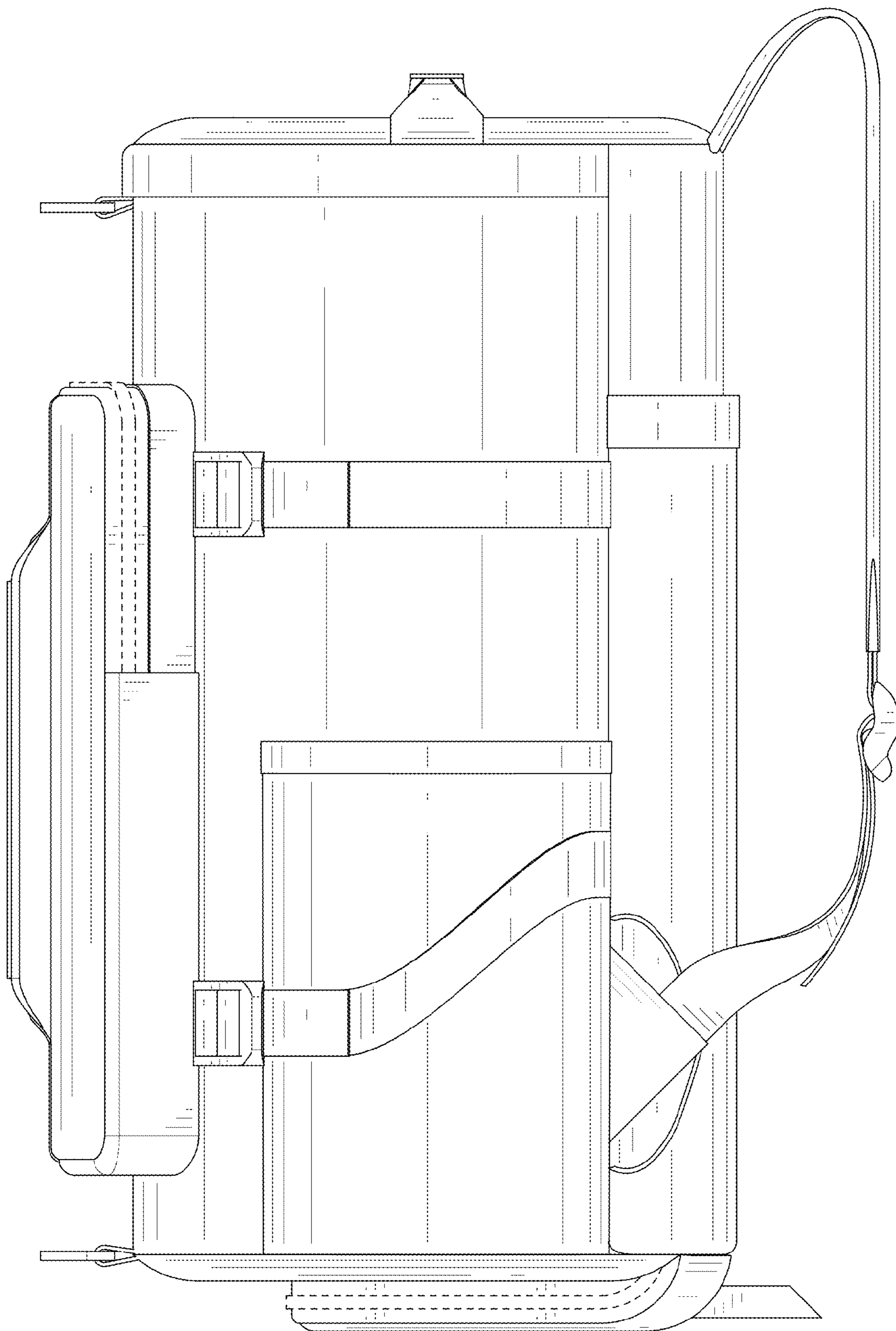


FIG. 6

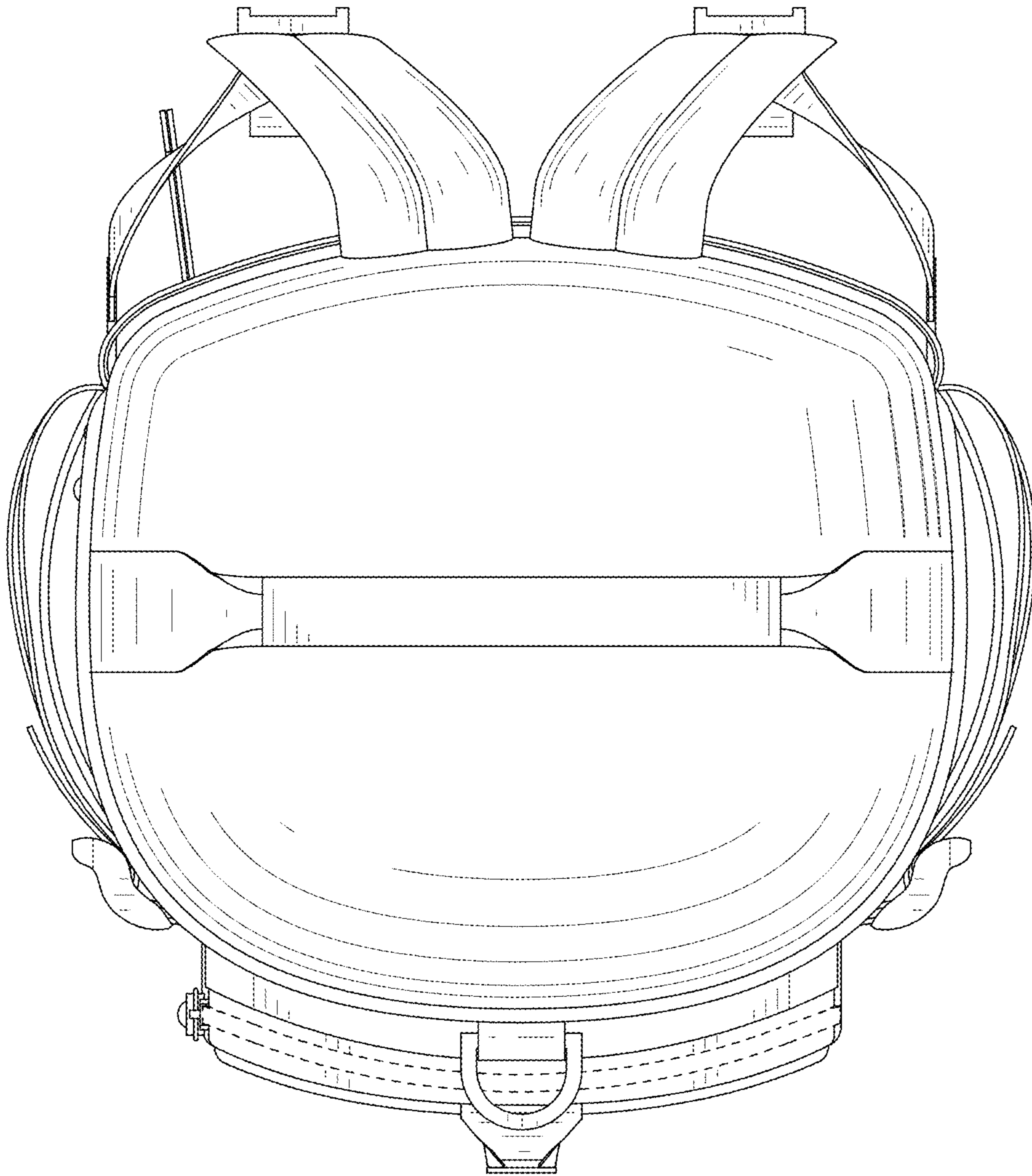


FIG. 7

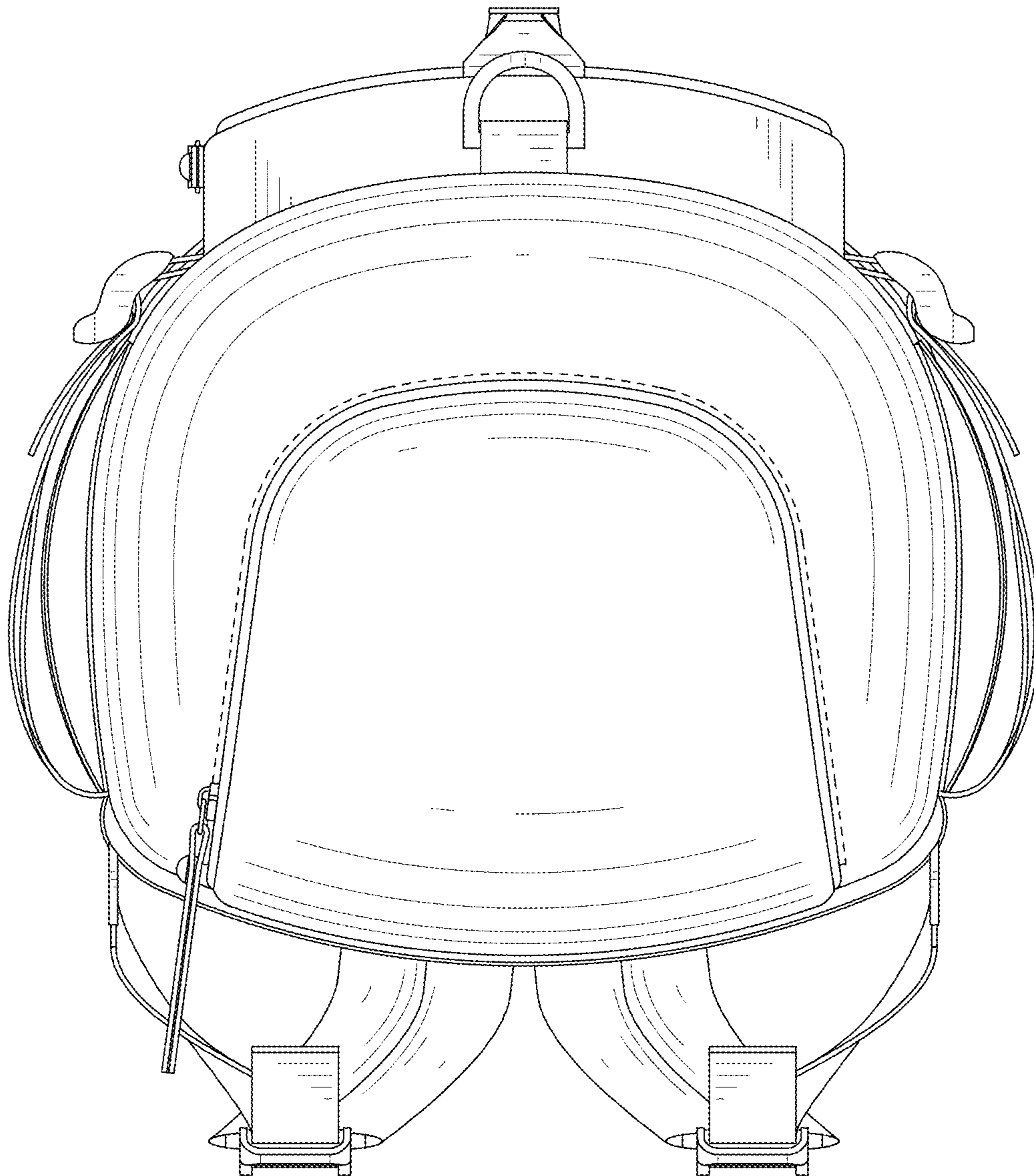


FIG. 8



FIG. 9