



US00D983514S

(12) **United States Design Patent**
Ortega

(10) **Patent No.:** **US D983,514 S**

(45) **Date of Patent:** **** Apr. 18, 2023**

(54) **TOOL ORGANIZER**

(71) Applicant: **Austin Tommy Ortega**, Stockton, CA
(US)

(72) Inventor: **Austin Tommy Ortega**, Stockton, CA
(US)

(**) Term: **15 Years**

(21) Appl. No.: **29/748,141**

(22) Filed: **Aug. 27, 2020**

(51) **LOC (14) Cl.** **03-01**

(52) **U.S. Cl.**
USPC **D3/207**

(58) **Field of Classification Search**
USPC D3/207-212; D8/343, 346-348; D11/93,
D11/13, 7, 208, 218
CPC A45C 11/32; A47G 29/10; A44B 15/00;
A44B 15/002; F16B 45/00; F16B 45/02;
F16B 45/06

See application file for complete search history.

(56) **References Cited**

U.S. PATENT DOCUMENTS

- D20,141 S * 9/1890 Herrick D11/218
- 505,882 A * 10/1893 Mauch A44B 15/00
70/459
- 959,836 A * 5/1910 Beer A44B 15/00
24/598.2
- 1,085,625 A * 2/1914 McKinnon B21L 11/005
59/35.1
- 1,172,374 A * 2/1916 Leimer A44B 15/00
70/459
- 1,211,296 A 1/1917 Davis
- 1,286,501 A * 12/1918 Bauer F16G 15/02
59/85
- 1,341,052 A * 5/1920 Gale F16G 13/14
59/83
- 1,598,680 A * 9/1926 Grace, Jr. F16G 15/00
213/208

- 1,974,160 A * 9/1934 Peirson A44B 15/00
70/458
- 2,171,995 A * 9/1939 Schmidt, Jr. B21L 3/00
152/243
- 2,442,479 A * 6/1948 Adair A45C 11/32
206/37

(Continued)

OTHER PUBLICATIONS

Ross-Simons—18 carat yellow gold necklace with paper clip, first available May 3, 2020, amazon.com [online], site visited Mar. 24, 2022], Available at URL: <https://www.amazon.com/dp/B08813KVJV/?th=1> (Year: 2020).*

(Continued)

Primary Examiner — Michelle E. Wilson
Assistant Examiner — Caitlin A Laverty
(74) *Attorney, Agent, or Firm* — Burriss Law, PLLC

(57) **CLAIM**

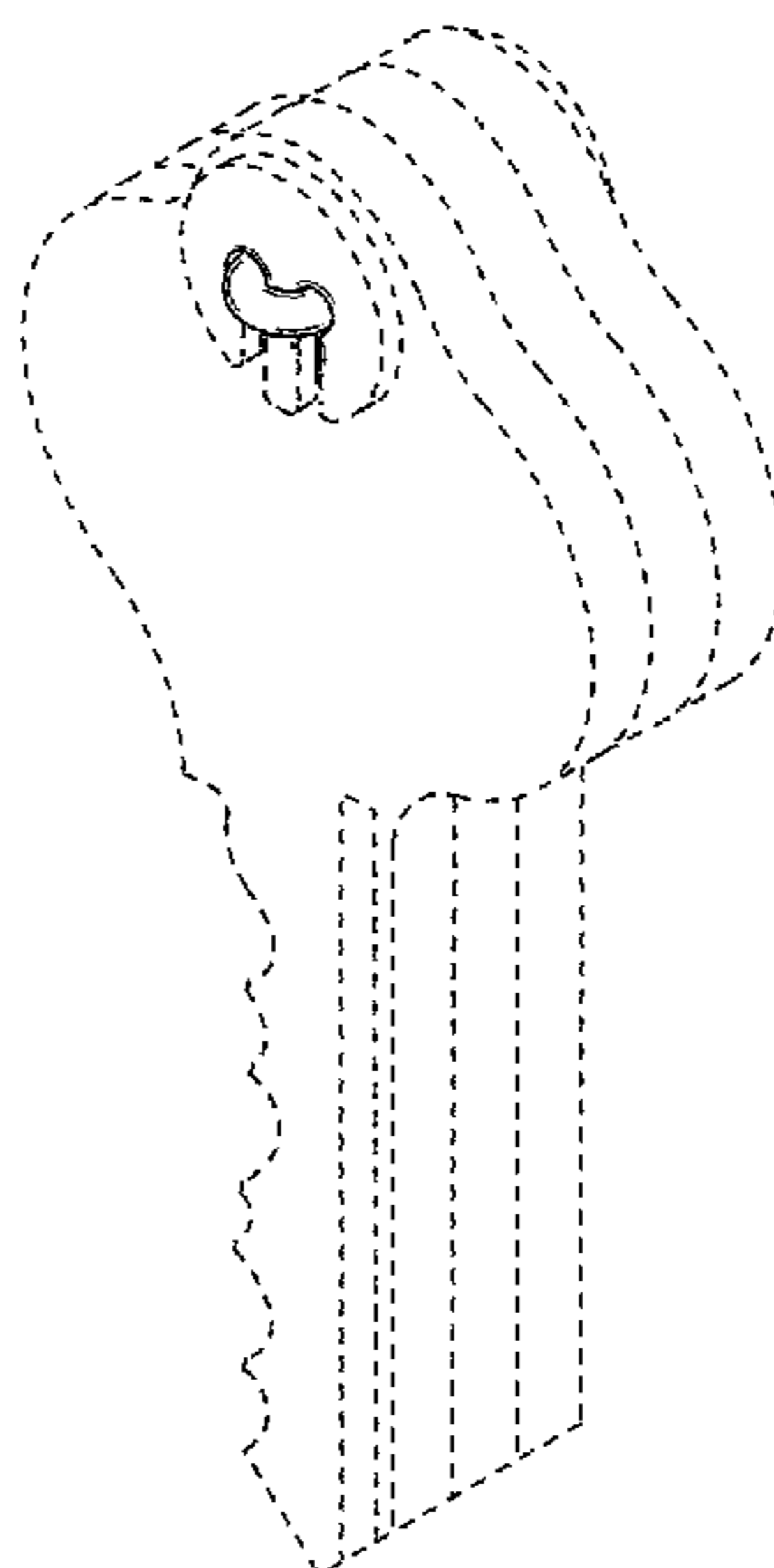
The ornamental design for tool organizer, as shown and described.

DESCRIPTION

FIG. 1 is a front perspective view of the tool organizer;
FIG. 2 is a front view thereof;
FIG. 3 is a rear view thereof;
FIG. 4 is a top view thereof;
FIG. 5 is a bottom view thereof;
FIG. 6 is a right side view thereof;
FIG. 7 is a cross-sectional view along line 7-7 of FIG. 6;
FIG. 8 is a left side view thereof;
FIG. 9 is a front perspective view thereof illustrating an alternate configuration of use; and,
FIG. 10 is an enlarged view of area 10 enclosed in the dot-dashed line of FIG. 2.

The broken lines are included for the purpose of illustrating environmental structure and form no part of the claimed design.

1 Claim, 10 Drawing Sheets



(56)

References Cited

U.S. PATENT DOCUMENTS

2,720,777 A 10/1955 Kocsi
 2,729,965 A 1/1956 Kurlian
 3,375,557 A * 4/1968 Parr A44C 5/20
 24/116 R
 4,679,392 A * 7/1987 Nakagawa A44C 11/00
 63/4
 5,036,864 A * 8/1991 Yewer, Jr. A41F 9/002
 2/338
 5,207,082 A 5/1993 LeMaitre
 D406,245 S * 3/1999 Rozenwasser D11/13
 D778,767 S * 2/2017 Nicolas D11/93
 D846,427 S * 4/2019 Kallgren D11/93
 D886,661 S * 6/2020 Cipolla D11/93
 D889,820 S * 7/2020 Vogel D3/207
 D906,663 S * 1/2021 Busch D3/207
 11,293,521 B2 * 4/2022 Maurice F16B 45/00
 11,311,082 B2 * 4/2022 Ortega A44B 15/002
 2011/0016937 A1 1/2011 Downes
 2011/0302970 A1 12/2011 Amron

2017/0055662 A1 3/2017 Taylor
 2022/0061471 A1 * 3/2022 Ortega A44B 15/002
 2022/0316505 A1 * 10/2022 Kolb F16B 2/06

OTHER PUBLICATIONS

Sterling silver chain necklace with women's clip, first available Dec. 18, 2019, amazon.com [online], [site visited Mar. 24, 2022], Available at URL: <https://www.amazon.com/Sterling-Italian-Paperclip-Necklace-Polished/dp/B082WMGGKY/?th=1> (Year: 2019).*

Pandora Jewelry 17.7" Pandora Rose Link Cable Chain Long Necklace, first available Sep. 20, 2019, amazon.com [online], [site visited Mar. 24, 2022], Available at URL: <https://www.amazon.com/PANDORA-Long-Cable-Chain-Necklace/dp/B07WSTQX5Q> (Year: 2019).*

Turandoss—Necklace and choker refined in Y-shaped levels, first available Sep. 25, 2019, amazon.com [online], [site visited Mar. 24, 2022], Available at URL: <https://www.amazon.com/Turandoss-Hammered-Necklace-Delicate-Necklaces/dp/B07YCPF8LP/?th=1> (Year: 2019).*

Bellroy, Key Cover, product information pages, Bellroy Pty Ltd, 2020 (admitted prior art).

* cited by examiner

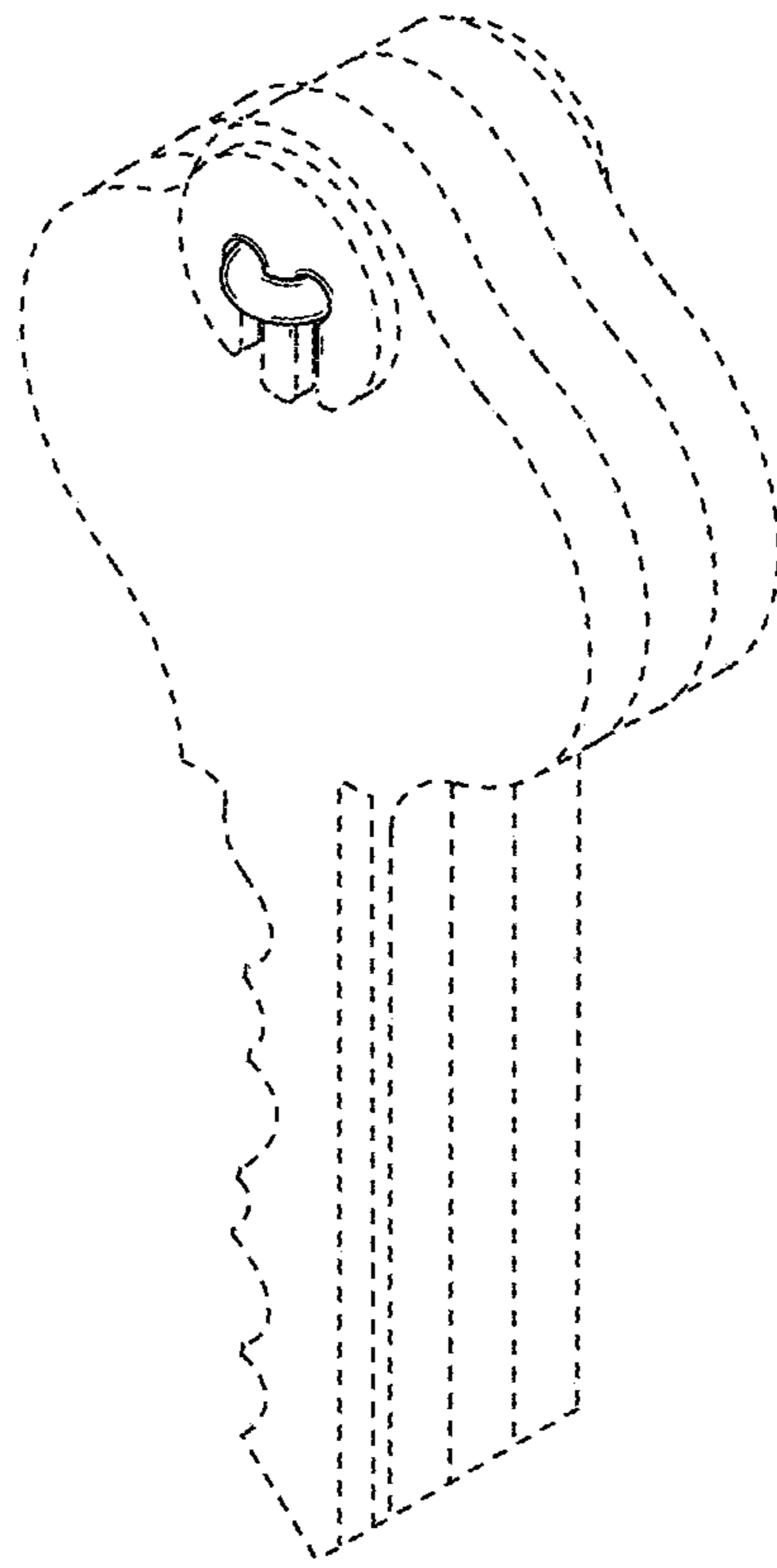


FIG. 1

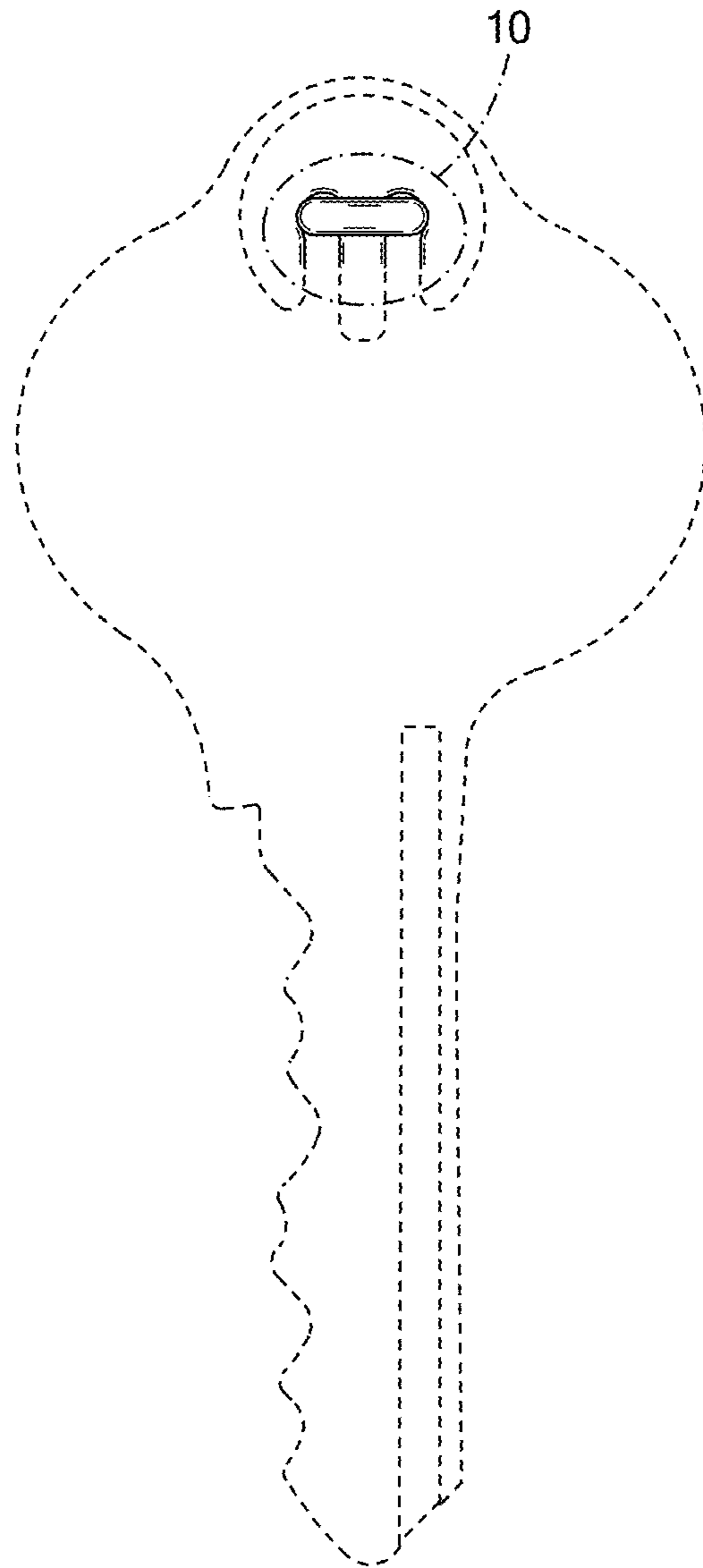


FIG. 2

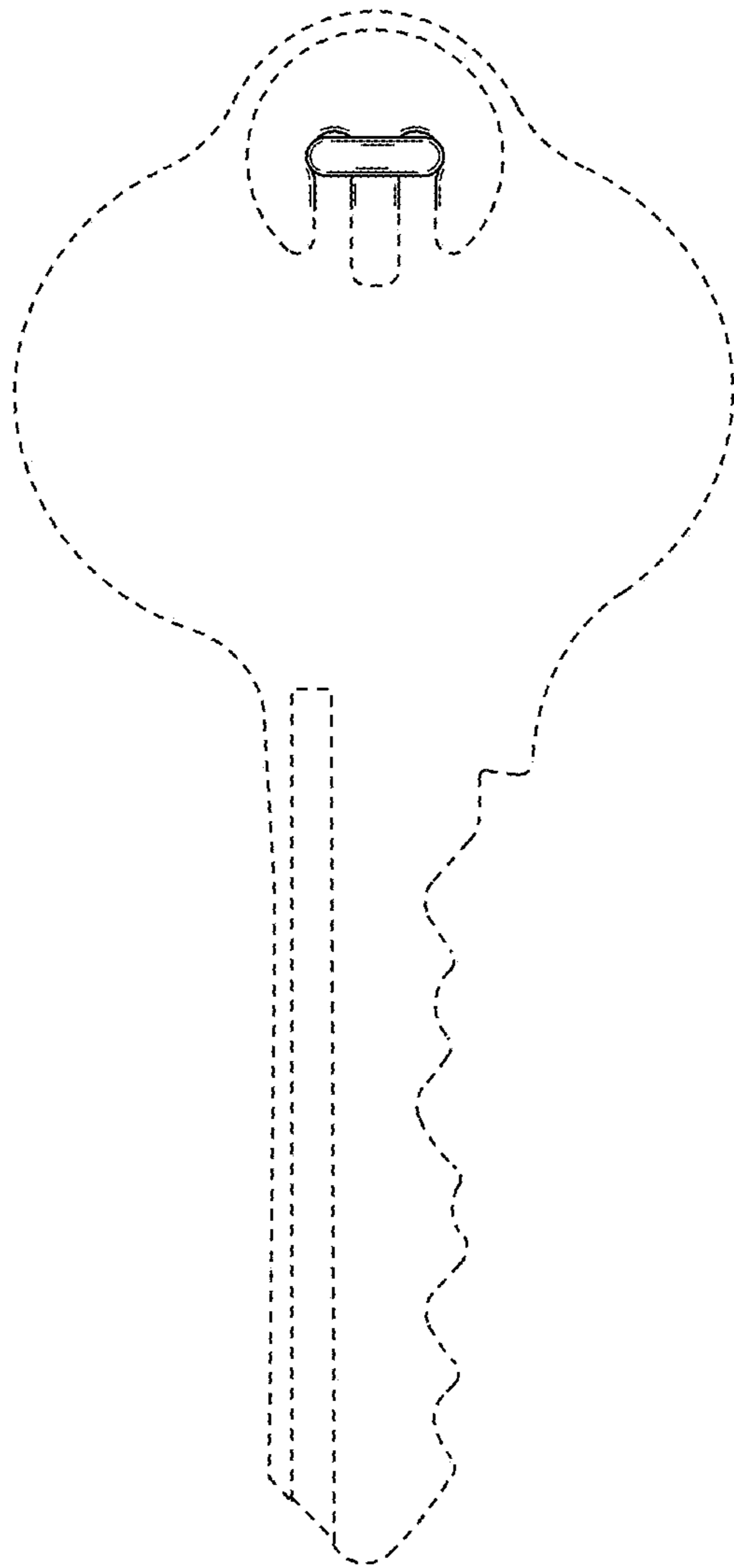


FIG. 3

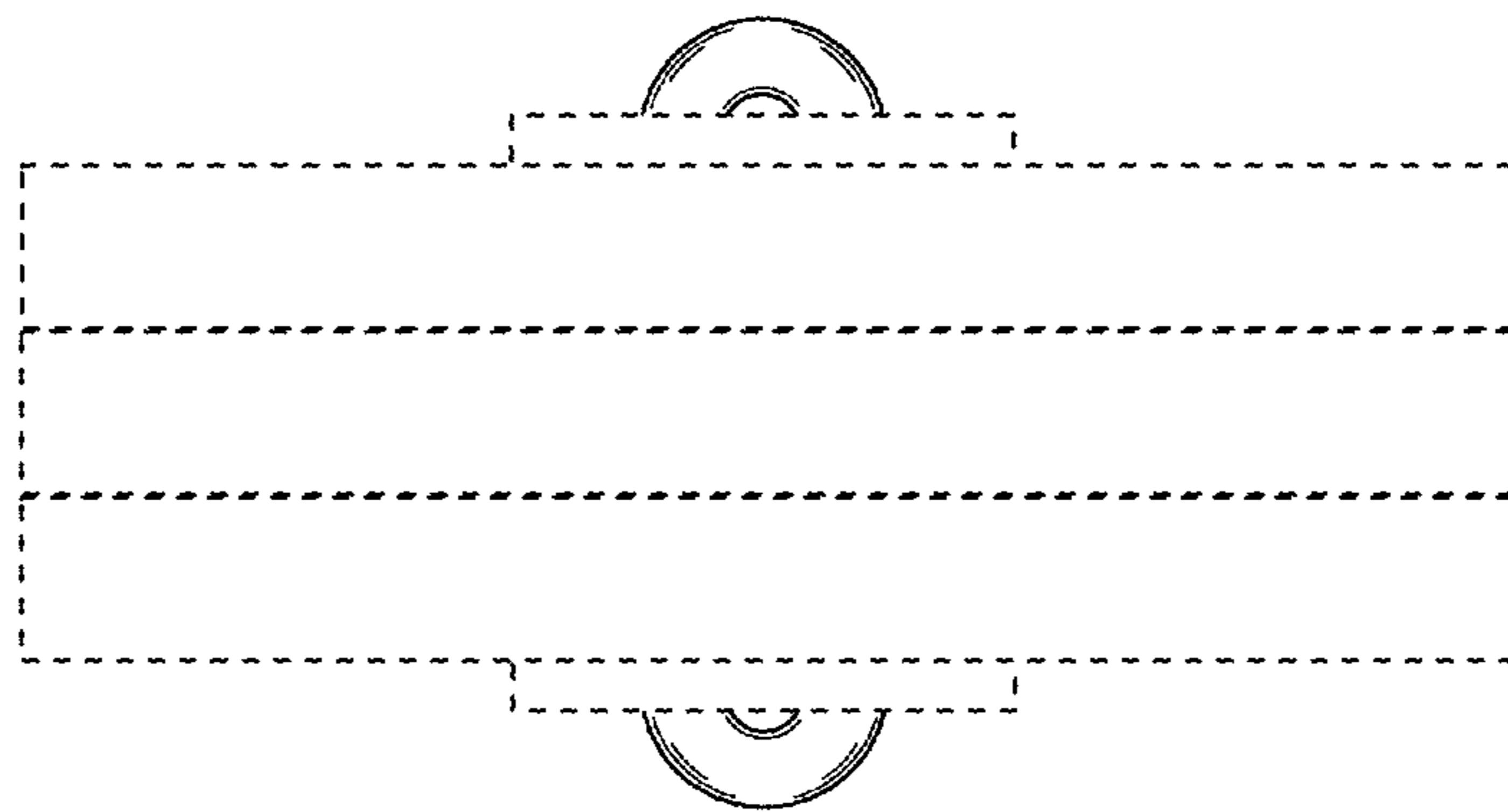


FIG. 4

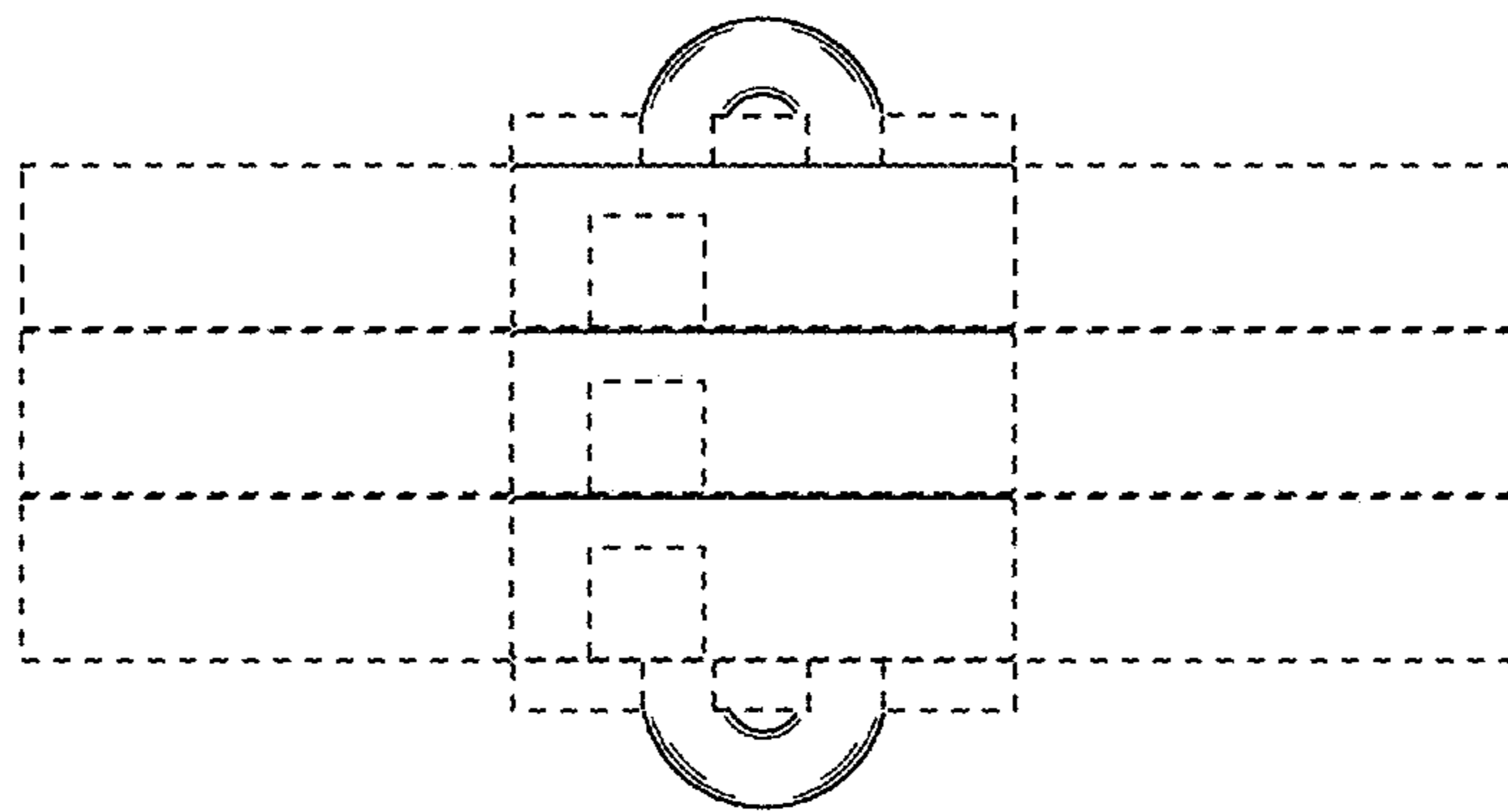


FIG. 5

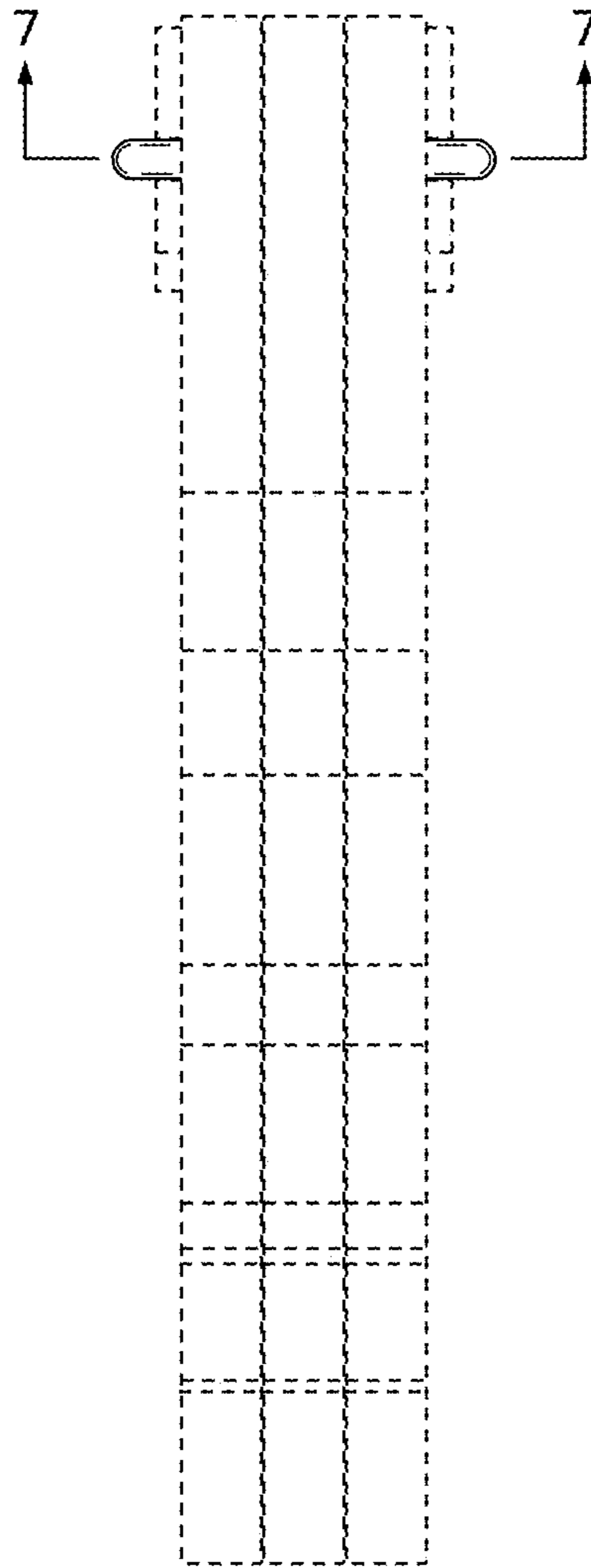


FIG. 6

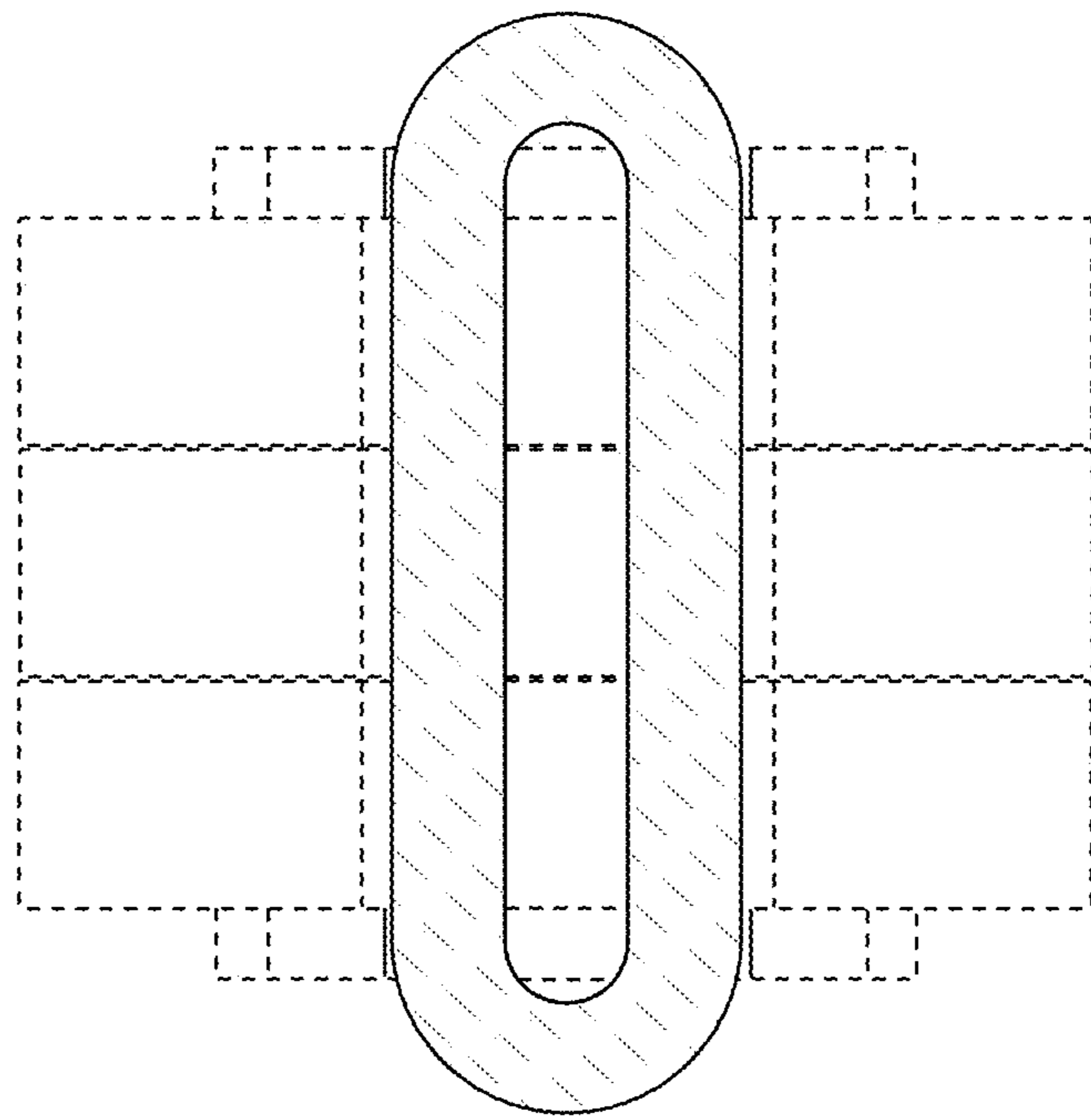


FIG. 7

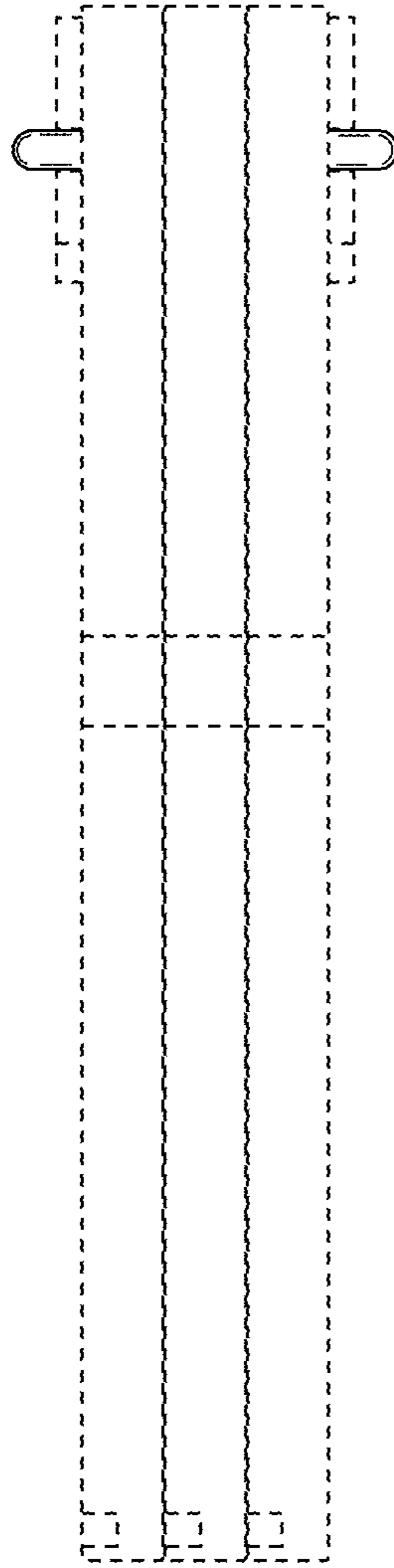


FIG. 8

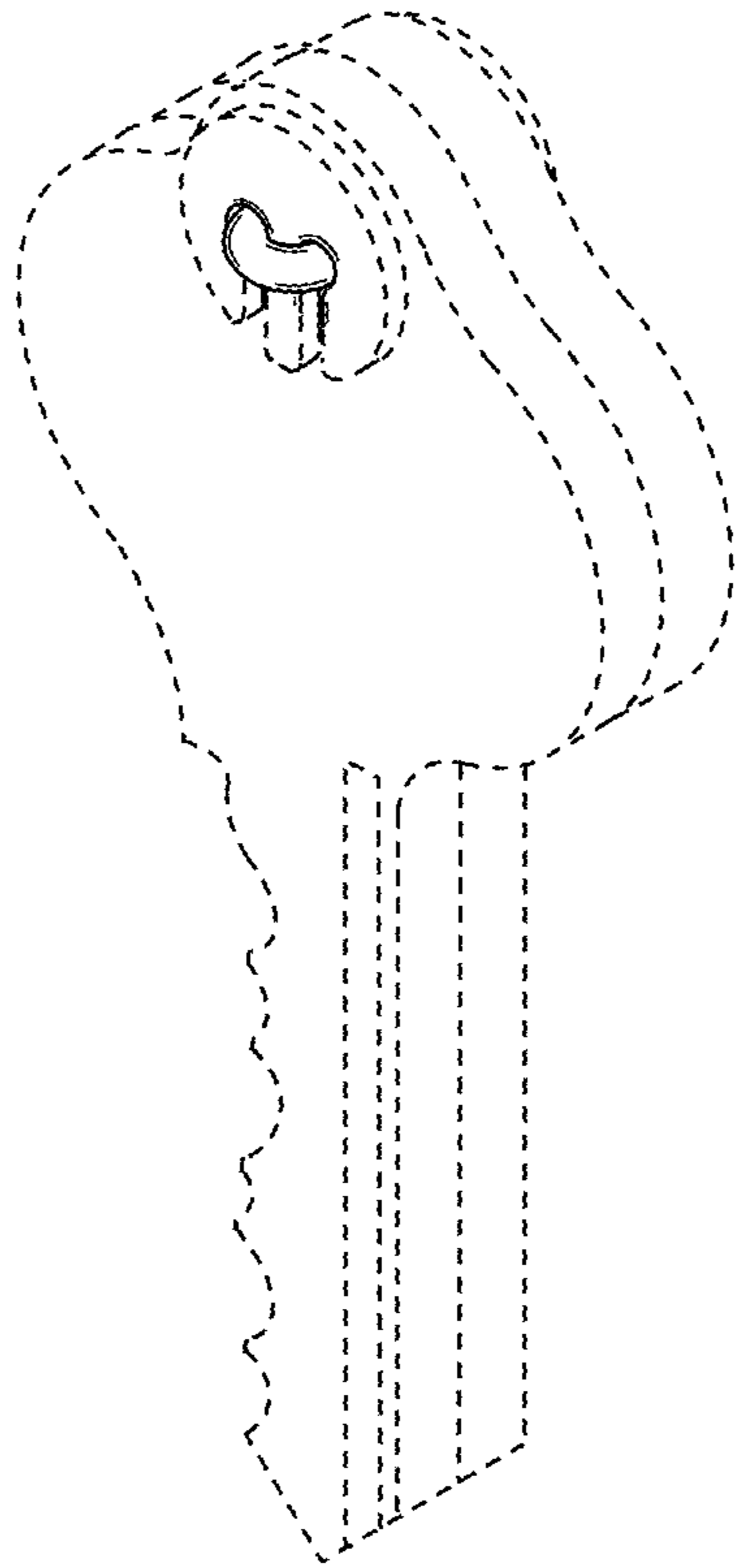


FIG. 9

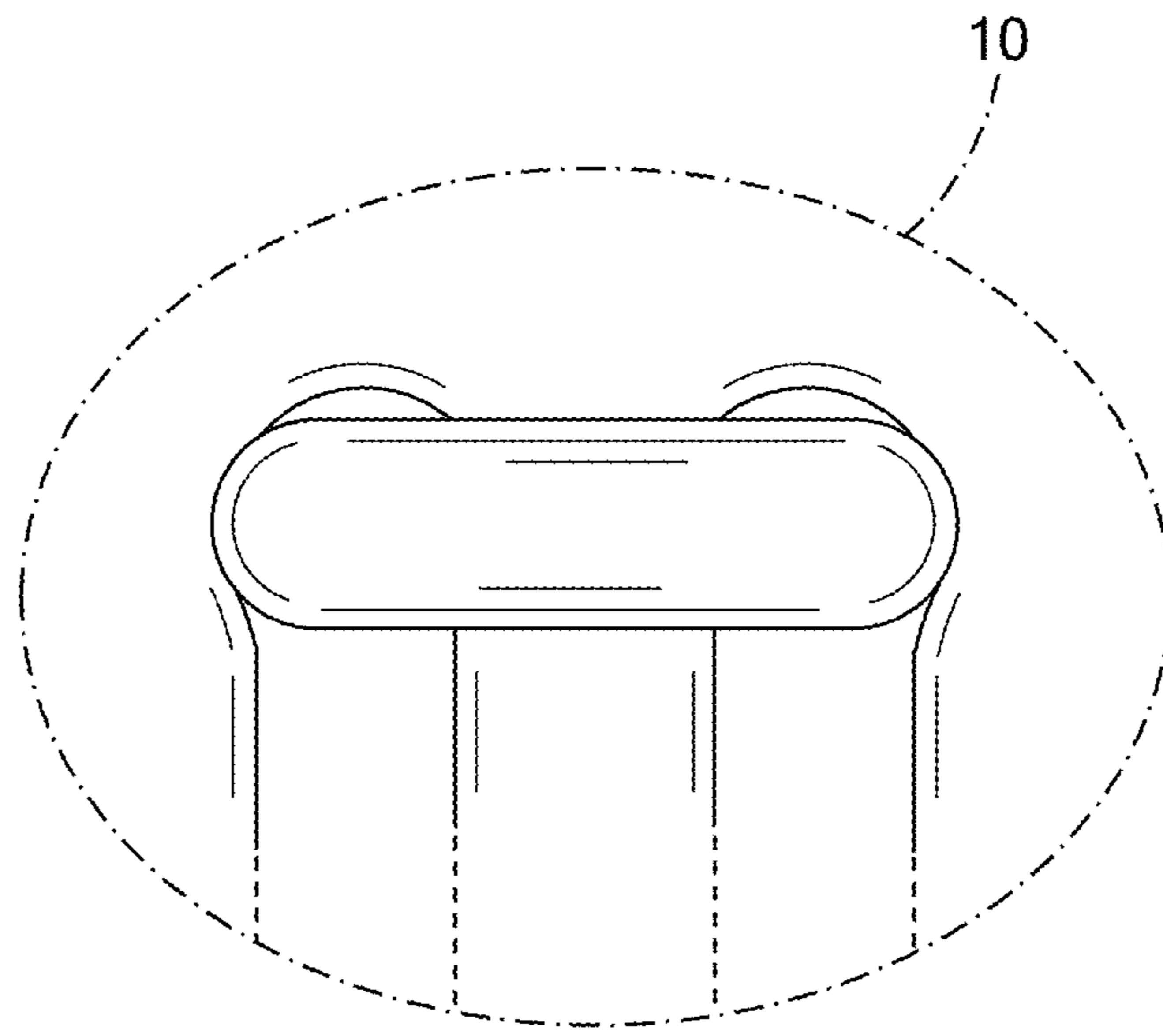


FIG. 10