



US00D983512S

(12) **United States Design Patent**
Chang

(10) **Patent No.:** **US D983,512 S**

(45) **Date of Patent:** **** Apr. 18, 2023**

(54) **MOISTURE-PROOF PILL ORGANIZER**

(71) Applicant: **E-LINK PLASTIC & METAL INDUSTRIAL CO., LTD.**, New Taipei (TW)

(72) Inventor: **Pin-Yang Chang**, New Taipei (TW)

(73) Assignee: **E-LINK PLASTIC & METAL INDUSTRIAL CO., LTD.**, New Taipei (TW)

(**) Term: **15 Years**

(21) Appl. No.: **29/810,762**

(22) Filed: **Oct. 8, 2021**

(51) **LOC (14) Cl.** **03-01**

(52) **U.S. Cl.**
USPC **D3/203.3**

(58) **Field of Classification Search**
USPC D3/201, 203.1, 203.2, 203.3, 203.4, 273, D3/295; D9/420, 421, 757
CPC B65D 25/04; B65D 83/04; B65D 75/327; A61J 1/03; A61J 7/0076; A61J 7/0084
See application file for complete search history.

(56) **References Cited**

U.S. PATENT DOCUMENTS

D281,225 S *	11/1985	Leman	D3/203.3
4,735,318 A *	4/1988	Keffeler	A61J 1/03 206/532
4,741,441 A *	5/1988	Keffeler	A61J 1/03 206/532
D298,803 S *	12/1988	Ebling	D30/131
D304,905 S *	12/1989	Zimmerman	D3/203.3
D393,418 S *	4/1998	Doan	D3/203.3
5,735,406 A *	4/1998	Keffeler	B65D 83/0445 206/538
D415,958 S *	11/1999	Noble	D3/203.3
D418,288 S *	1/2000	Priebe	D3/203.3

D430,392 S *	9/2000	Noble	D3/203.3
D457,819 S *	5/2002	Noble	D10/40
D466,801 S *	12/2002	Holland	D9/757
6,662,081 B1 *	12/2003	Jacoer	A61J 7/0481 221/124
D516,302 S *	3/2006	Margiotta	D3/203.3
D518,287 S *	4/2006	Margiotta	D3/203.3
D519,728 S *	5/2006	Chue	D3/203.3
D522,742 S *	6/2006	Priebe	D3/203.3
D524,537 S *	7/2006	Priebe	D3/203.3
D528,782 S *	9/2006	Oas	D3/203.3
D545,563 S *	7/2007	Margiotta	D3/203.3
7,387,207 B2 *	6/2008	Priebe	B65D 83/04 206/532
7,395,929 B2 *	7/2008	Keffeler	B65D 21/0202 206/532
D576,787 S *	9/2008	Fulmer Mason	D3/203.3
D587,005 S *	2/2009	Gardner	D3/203.3
7,494,012 B1 *	2/2009	Priebe	B65D 83/0445 206/538

(Continued)

Primary Examiner — Steven J Czyz
(74) *Attorney, Agent, or Firm* — WPAT, PC

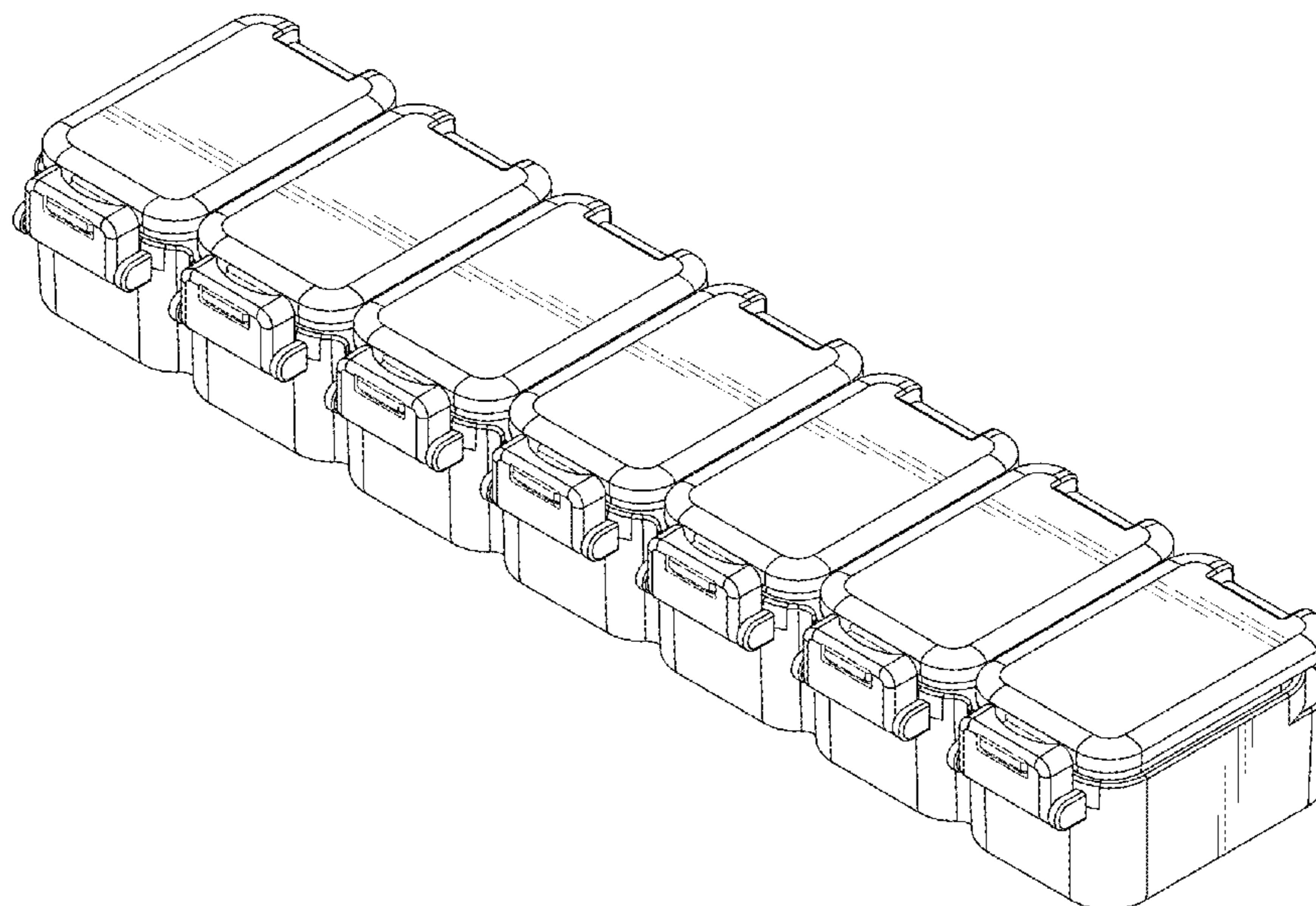
(57) **CLAIM**

The ornamental design for a moisture-proof pill organizer, as shown and described.

DESCRIPTION

FIG. 1 is a perspective view of a moisture-proof pill organizer showing my new design;
FIG. 2 is a front elevation view thereof;
FIG. 3 is a rear elevation view thereof;
FIG. 4 is a left side elevation view thereof;
FIG. 5 is a right side elevation view thereof;
FIG. 6 is a top plan view thereof; and
FIG. 7 is a bottom view thereof; and,
FIG. 8 is another perspective view thereof.
The broken lines shown in the drawings depict portions of the article that form no part of the claimed design.

1 Claim, 8 Drawing Sheets



(56)

References Cited

U.S. PATENT DOCUMENTS

D587,898 S * 3/2009 Cetera D3/203.2
 7,624,890 B2 * 12/2009 Noble B65D 83/0445
 206/538
 7,793,785 B2 * 9/2010 Keffeler A61J 7/04
 206/532
 7,798,330 B2 * 9/2010 Noble B65D 83/04
 206/533
 8,381,911 B2 * 2/2013 Buchner B65D 83/04
 206/530
 D684,355 S * 6/2013 Priebe D3/203.3
 D686,407 S * 7/2013 Mazur D3/203.3
 D691,366 S * 10/2013 Muncy D3/203.3
 D696,007 S * 12/2013 Priebe D3/203.3
 D696,008 S * 12/2013 Priebe D3/203.3
 D696,010 S * 12/2013 Priebe D3/203.3
 D696,856 S * 1/2014 Priebe D3/203.3
 D697,303 S * 1/2014 Priebe D3/203.3
 D698,141 S * 1/2014 Priebe D3/203.3
 D703,943 S * 5/2014 Priebe D3/203.3
 D709,282 S * 7/2014 Priebe D3/203.3
 D747,869 S * 1/2016 Priebe D3/203.3
 9,289,354 B2 * 3/2016 Ryan B65D 25/06
 9,311,452 B2 * 4/2016 Dickie A61J 7/0481
 D761,009 S * 7/2016 Jewell D3/203.3
 D775,462 S * 1/2017 Noble D3/203.3
 D777,419 S * 1/2017 Noble D3/203.3
 D812,368 S * 3/2018 Noble D3/203.3
 D831,331 S * 10/2018 Lee D3/203.3
 D833,733 S * 11/2018 Chen D3/203.3
 D850,782 S * 6/2019 Lee D3/203.3
 10,391,028 B2 * 8/2019 Deluca B65D 83/04
 10,420,703 B1 * 9/2019 Lee A61J 1/03
 D877,489 S * 3/2020 Lee B65D 83/0445
 D3/203.2
 D882,940 S * 5/2020 Arn D3/203.3
 D882,941 S * 5/2020 Deluca B65D 83/04
 D3/203.3
 10,653,583 B1 * 5/2020 Walker A61J 7/0427
 D895,958 S * 9/2020 Guo D3/203.3
 D895,959 S * 9/2020 Guo D3/203.3
 D897,665 S * 10/2020 Guo D3/203.3
 D897,666 S * 10/2020 Guo D3/203.3
 D898,344 S * 10/2020 Lee D3/203.3
 D898,345 S * 10/2020 Lee D3/203.3
 D898,346 S * 10/2020 Lee D3/203.3
 D898,348 S * 10/2020 Guo D3/203.3
 D899,763 S * 10/2020 McNeil D3/203.3
 D909,744 S * 2/2021 Guo A61J 7/0084
 D3/203.3
 D914,357 S * 3/2021 Chen D3/203.3

D914,358 S * 3/2021 Chen D3/203.3
 D915,060 S * 4/2021 Lee A61J 7/0427
 D3/203.3
 D916,455 S * 4/2021 Chen D3/203.2
 D918,572 S * 5/2021 Guo D3/203.2
 D919,283 S * 5/2021 Guo D3/203.3
 D927,847 S * 8/2021 Cerami, III A61J 7/04
 D3/203.3
 11,123,263 B2 * 9/2021 Lee A61J 1/03
 D933,353 S * 10/2021 Chen D3/203.3
 D933,949 S * 10/2021 Lee D3/203.3
 11,141,349 B1 * 10/2021 Chen A61J 1/1412
 11,166,873 B1 * 11/2021 Lee A61J 1/03
 D939,203 S * 12/2021 Lee D3/203.2
 D940,450 S * 1/2022 Chen D3/203.3
 D943,267 S * 2/2022 Cen D3/203.3
 D950,234 S * 5/2022 Chen D3/203.3
 D962,631 S * 9/2022 Chen D3/203.3
 D965,968 S * 10/2022 Chen D3/203.1
 D966,694 S * 10/2022 Chen D3/203.2
 D966,696 S * 10/2022 Chen D3/203.3
 D966,697 S * 10/2022 Chen D3/203.2
 D966,698 S * 10/2022 Chen D3/203.1
 D969,477 S * 11/2022 Chen D3/203.2
 D973,346 S * 12/2022 Chen D3/203.3
 2003/0043026 A1 * 3/2003 Noble A61J 7/0472
 340/309.16
 2003/0205496 A1 * 11/2003 Howard B65D 83/0454
 206/538
 2006/0086641 A1 * 4/2006 Priebe B65D 83/04
 206/538
 2009/0114562 A1 * 5/2009 Noble A61J 7/04
 206/538
 2010/0044270 A1 * 2/2010 Noble B65D 83/04
 206/538
 2013/0056385 A1 * 3/2013 Thompson A61J 7/04
 206/534
 2014/0251861 A1 * 9/2014 Priebe A61J 7/04
 206/534
 2014/0251862 A1 * 9/2014 Priebe A61J 1/03
 206/534
 2014/0251863 A1 * 9/2014 Priebe A61J 1/03
 206/534
 2018/0303709 A1 * 10/2018 Deluca A61J 7/0481
 2021/0128405 A1 * 5/2021 Lee A61J 7/0084
 2021/0177698 A1 * 6/2021 Lee A61J 7/0069
 2021/0283014 A1 * 9/2021 Guo B65D 43/26
 2021/0283018 A1 * 9/2021 Guo A61J 7/0084
 2021/0322274 A1 * 10/2021 Stevens A61J 7/0427
 2022/0079841 A1 * 3/2022 Darst A45C 13/007
 2022/0112010 A1 * 4/2022 Darst B65D 50/045
 2022/0153491 A1 * 5/2022 Wang A61J 1/03

* cited by examiner

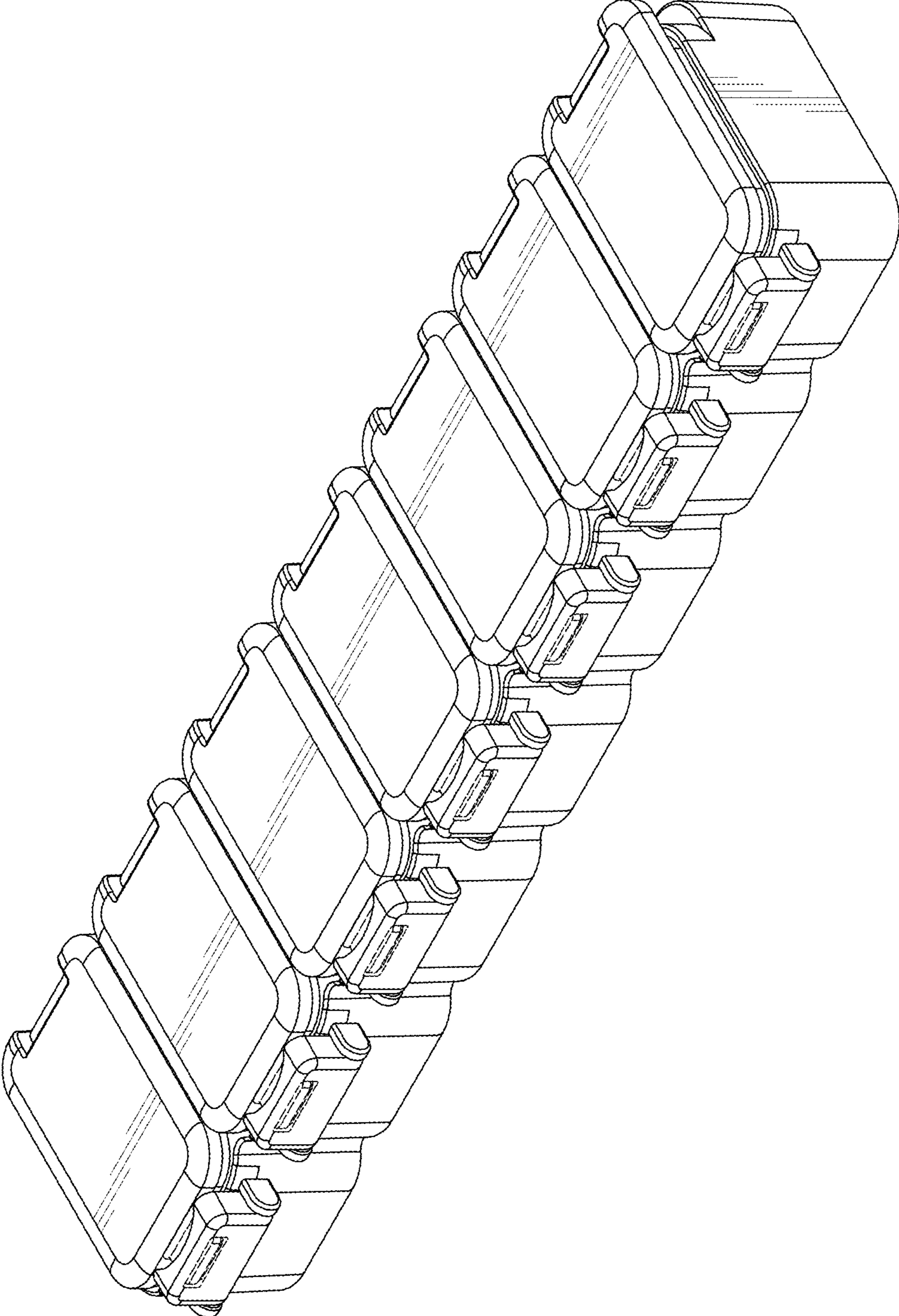


FIG. 1

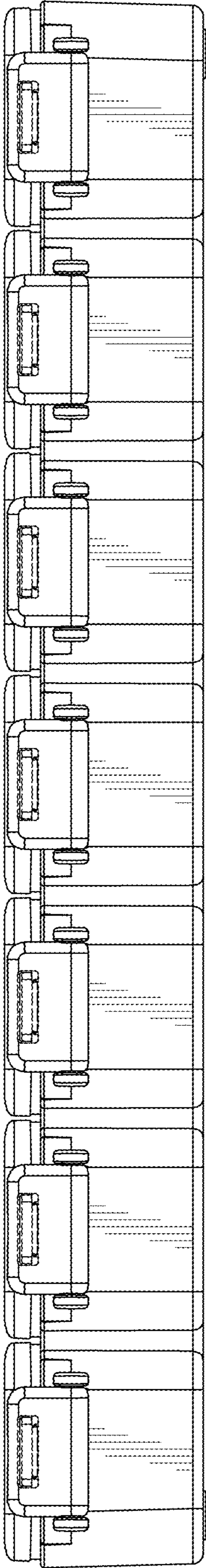


FIG. 2

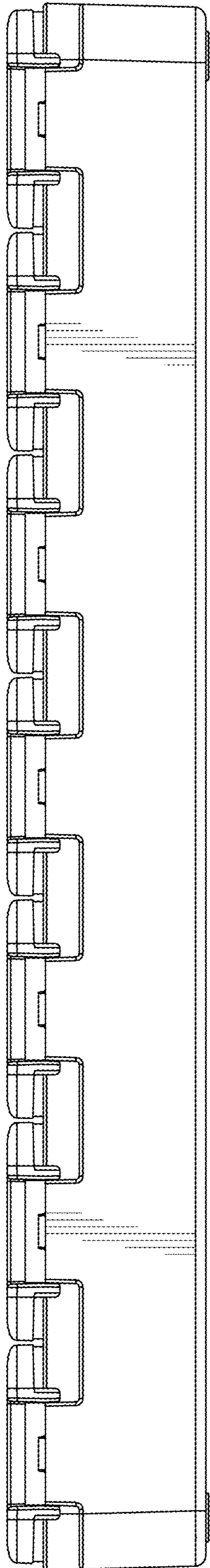


FIG. 3

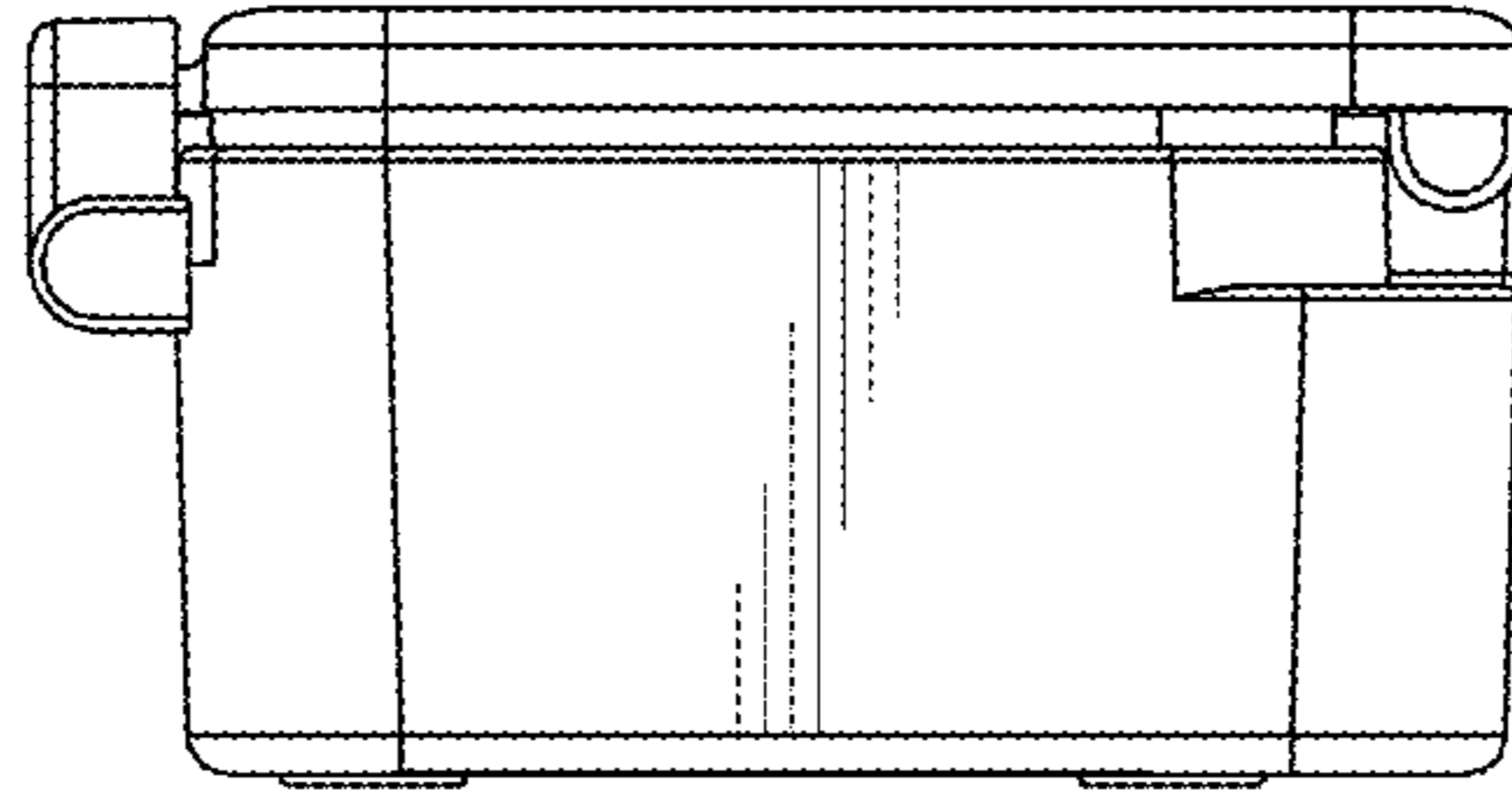


FIG. 4

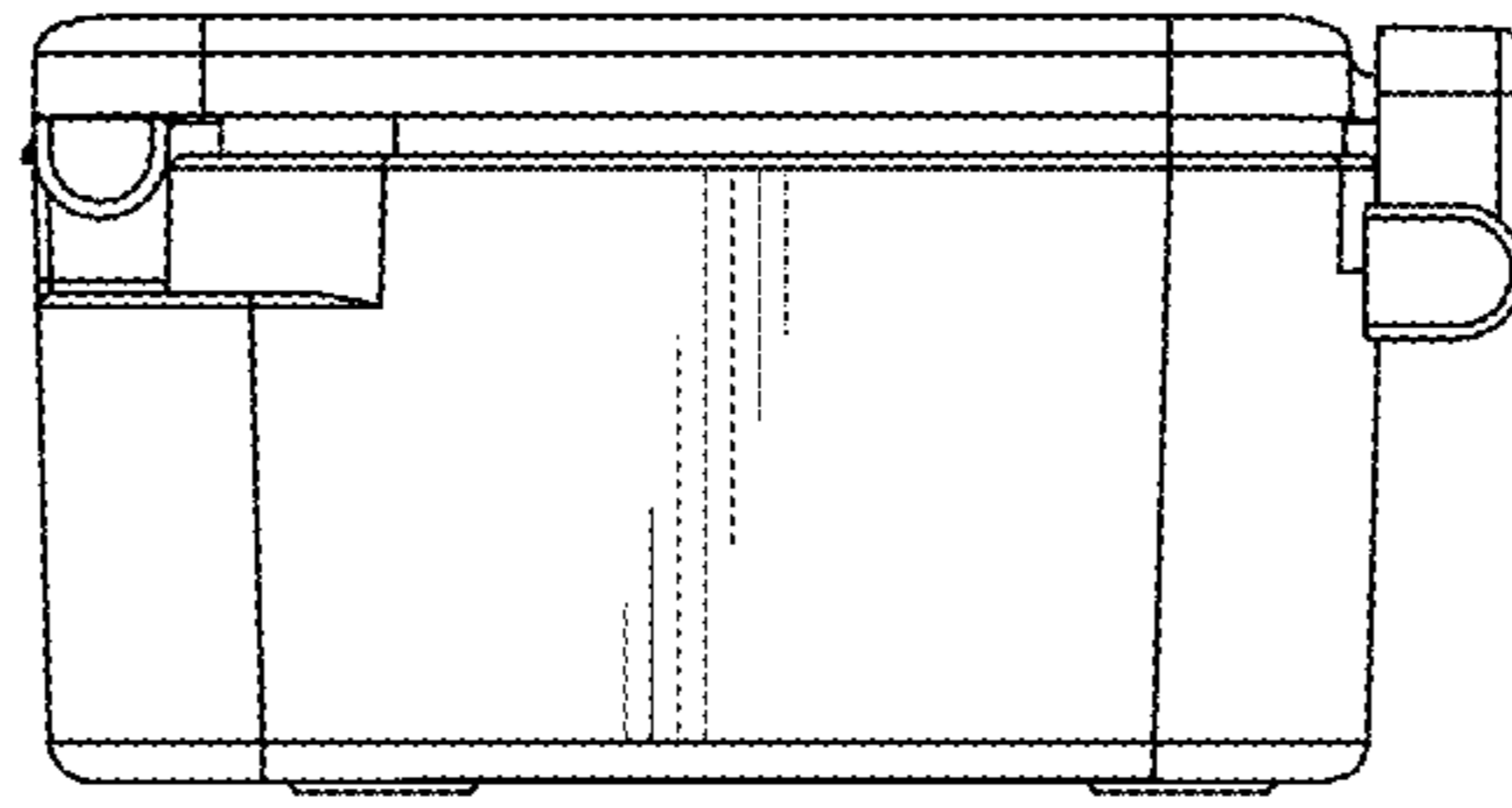


FIG. 5

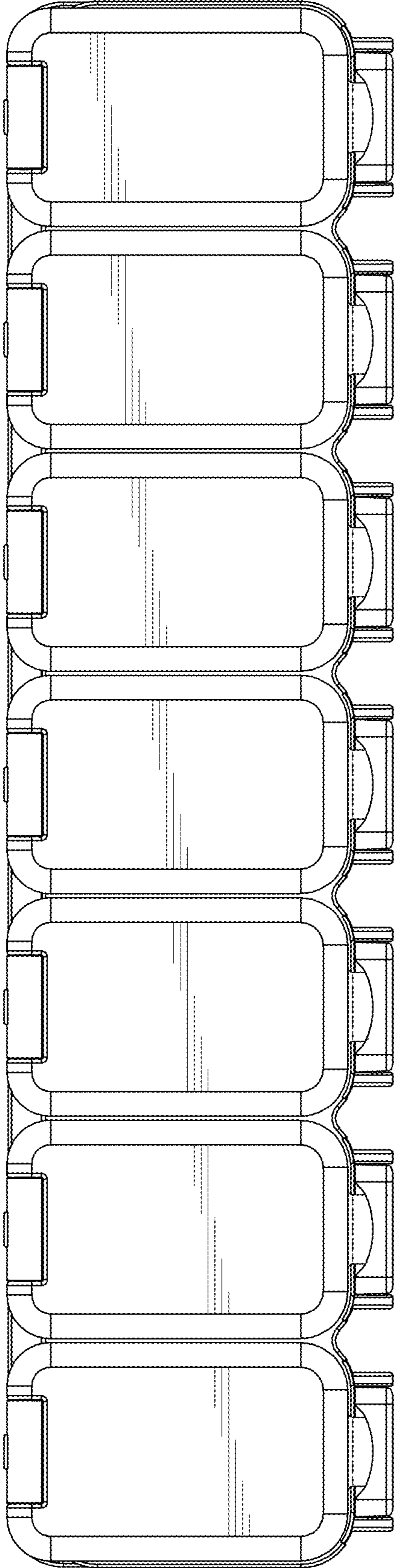


FIG. 6

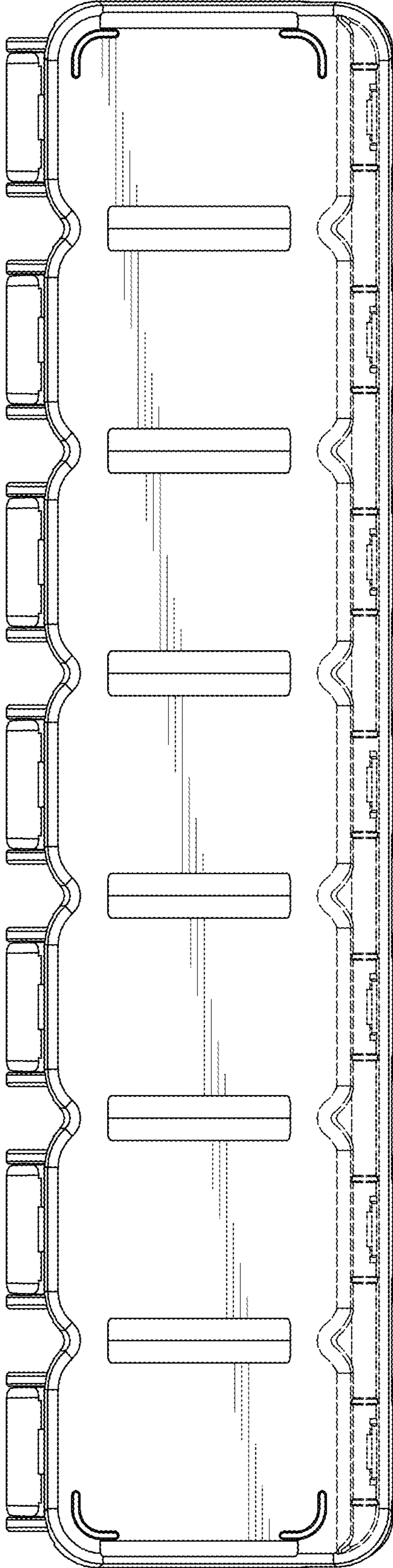


FIG. 7

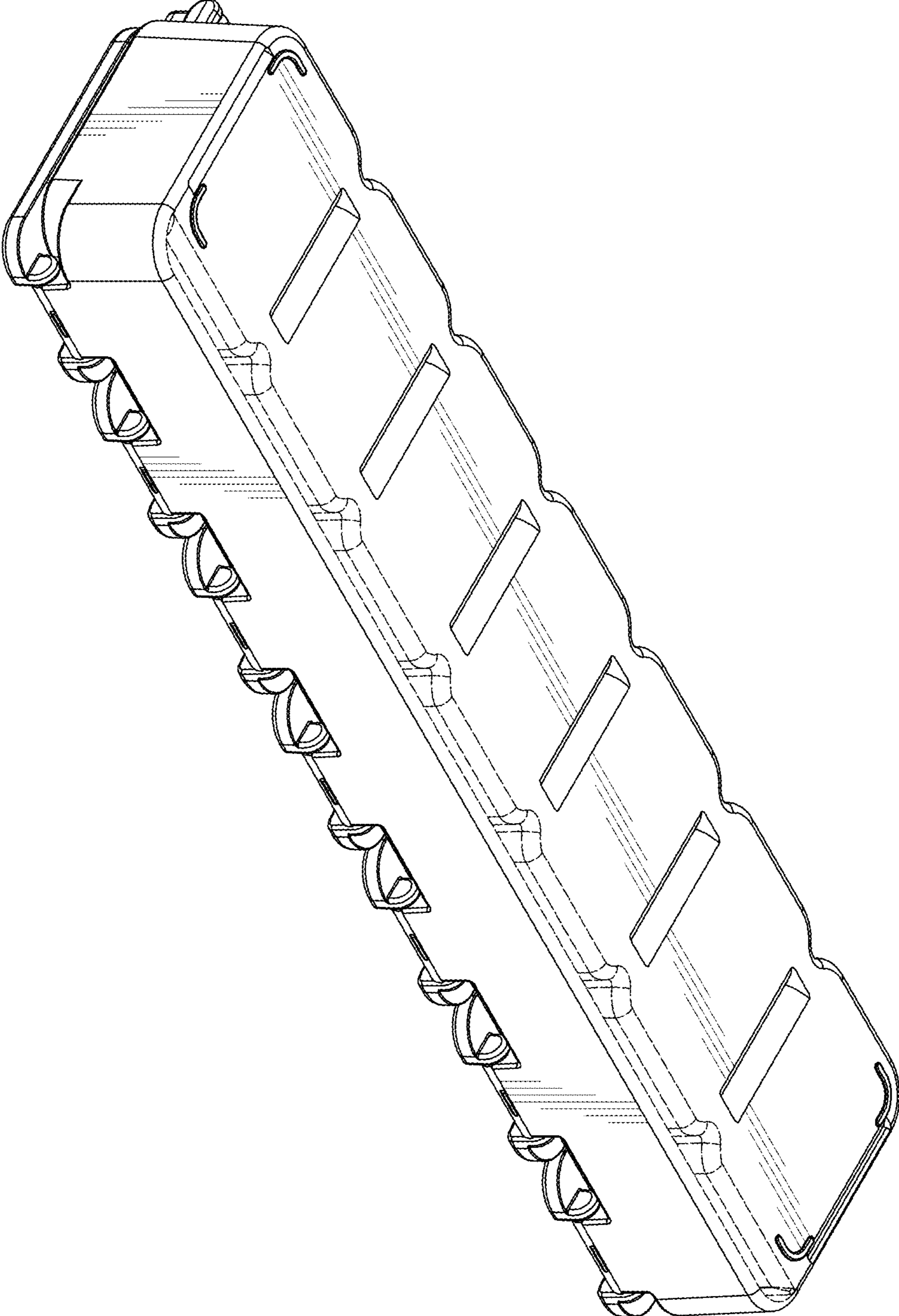


FIG. 8