



US00D983510S

(12) **United States Design Patent** (10) **Patent No.:** **US D983,510 S**
Nickel et al. (45) **Date of Patent:** **** Apr. 18, 2023**

(54) LACE TIGHTENING DEVICE DIAL	D767,269 S * 9/2016 Lovett D2/978
	D788,446 S * 6/2017 Wiingaard-Madsen D2/978
(71) Applicant: Boa Technology Inc. , Denver, CO (US)	9,737,115 B2 * 8/2017 Soderberg A43C 1/06
	D799,810 S * 10/2017 Mayberry A43B 5/1666
	D8/358
(72) Inventors: Michael Nickel , Denver, CO (US); Josef Duller , Denver, CO (US)	10,342,294 B2 * 7/2019 Lovett A43C 15/00
	D902,571 S * 11/2020 Workman D2/978
	D907,992 S * 1/2021 Kim D2/978
(73) Assignee: BOA TECHNOLOGY INC. , Denver, CO (US)	D926,457 S * 8/2021 Swanson D2/978
	D926,458 S * 8/2021 Swanson D2/978
	D926,459 S * 8/2021 Swanson D2/978
	D932,176 S * 10/2021 Swanson D2/978
(**) Term: 15 Years	2007/0084956 A1 * 4/2007 Chen A43C 7/00
	242/388.6

(21) Appl. No.: **35/002,030**

(Continued)

(22) Filed: **May 3, 2021**

Primary Examiner — Rashida C. Walshon

(80) **Hague Agreement Data**

(74) *Attorney, Agent, or Firm* — Kilpatrick Townsend & Stockton LLP

Int. Filing Date: **May 3, 2021**
 Int. Reg. No.: **DM/215995**
 Int. Reg. Date: **May 3, 2021**
 Int. Reg. Pub. Date: **Nov. 5, 2021**

(57) **CLAIM**

The ornamental design for lace tightening device dial, as shown and described.

(51) **LOC (14) Cl.** **02-04**

DESCRIPTION

(52) **U.S. Cl.**

USPC **D2/978**

(58) **Field of Classification Search**

USPC D2/896–899, 902, 907, 946, 976, 978
 CPC .. A43C 1/003; A43C 9/04; A43C 7/00; A43C
 11/00; A43C 13/10; A43C 7/08; A43C
 7/005; A43B 3/0021

1. Lace tightening device dial

1.1 : Top

1.2 : Bottom

1.3 : Back

1.4 : Front

1.5 : Left

1.6 : Right

1.7 : Perspective

See application file for complete search history.

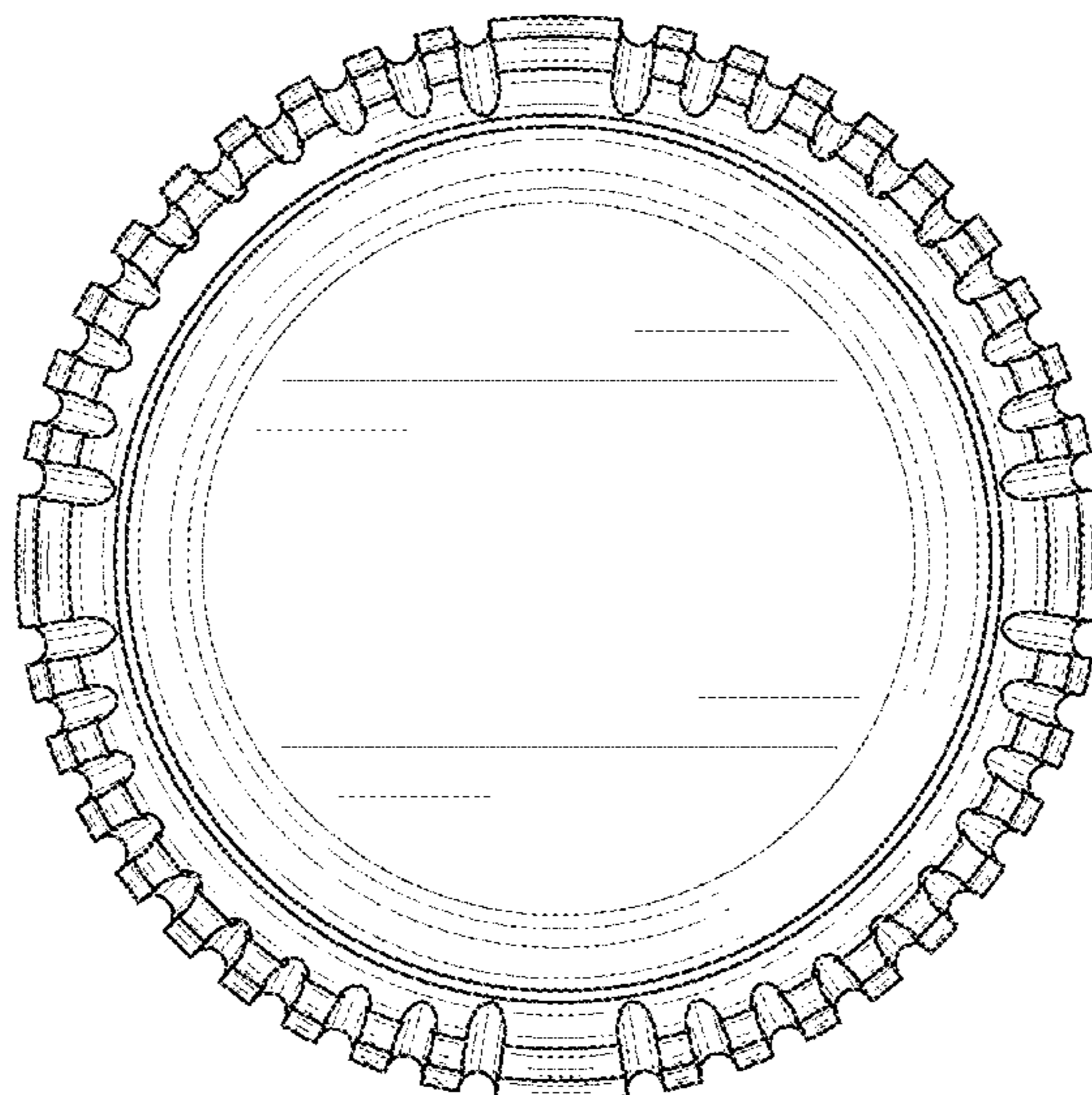
The dial can be rotated by a user to tension a lace or tension member via the lace tightening device; the lace tightening device can be attached to an article, such as an article of footwear, in order to tighten the article via the tensioned lace or tension member; the portions illustrated by solid lines are the portions for which the claimed design is intended; the broken lines in drawings represent environment that form no part.

(56) **References Cited**

U.S. PATENT DOCUMENTS

D367,755 S * 3/1996 Jones D2/978
 D405,601 S * 2/1999 Zebe, Jr. D2/978
 D482,853 S * 12/2003 Peabody D2/962
 D535,810 S * 1/2007 Simpson D2/976
 D735,712 S * 8/2015 Nishimoto D14/344
 D735,987 S * 8/2015 Hsu D2/978
 9,237,778 B2 * 1/2016 Cook A43C 11/1493
 D758,061 S * 6/2016 Whewell D2/978

1 Claim, 7 Drawing Sheets



(56)

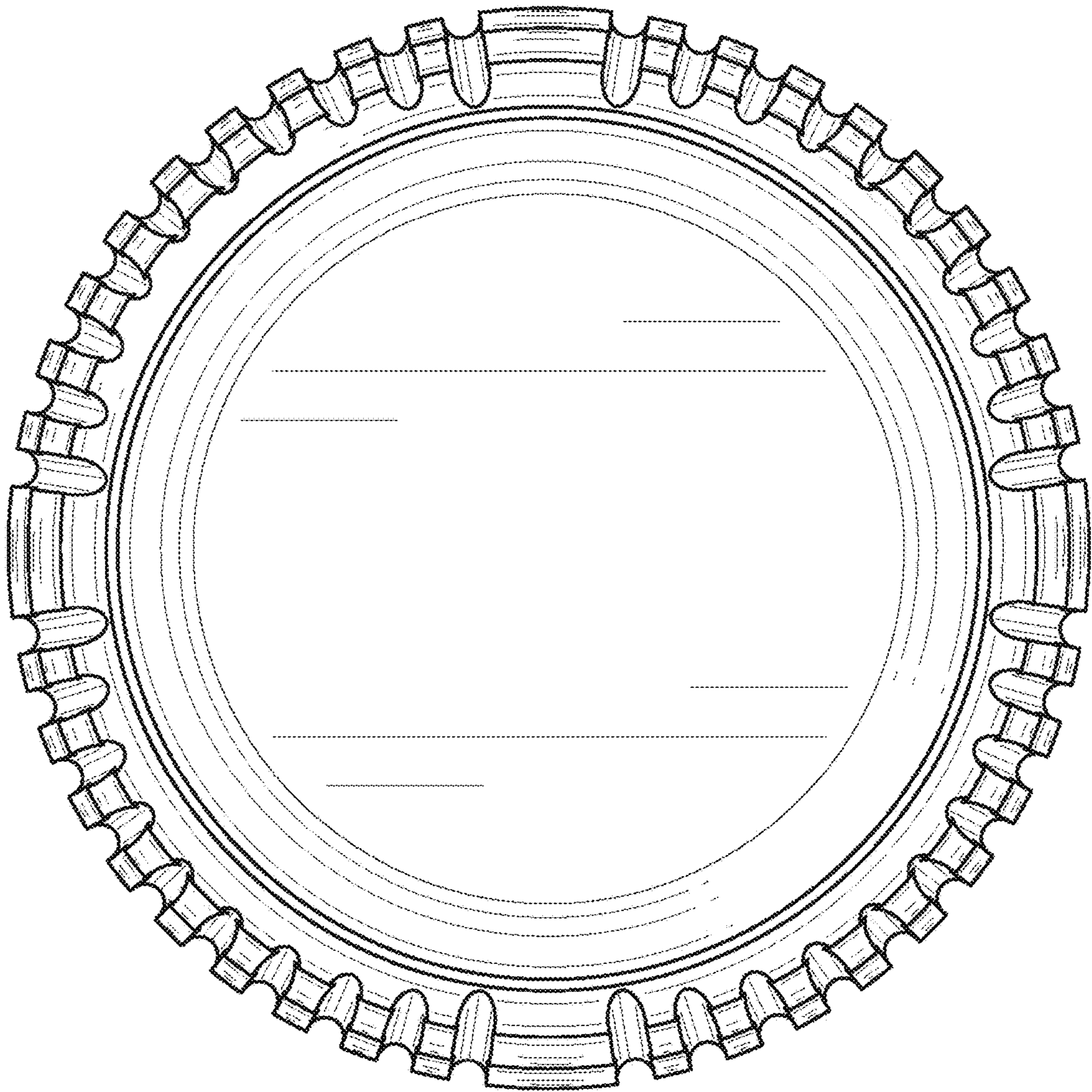
References Cited

U.S. PATENT DOCUMENTS

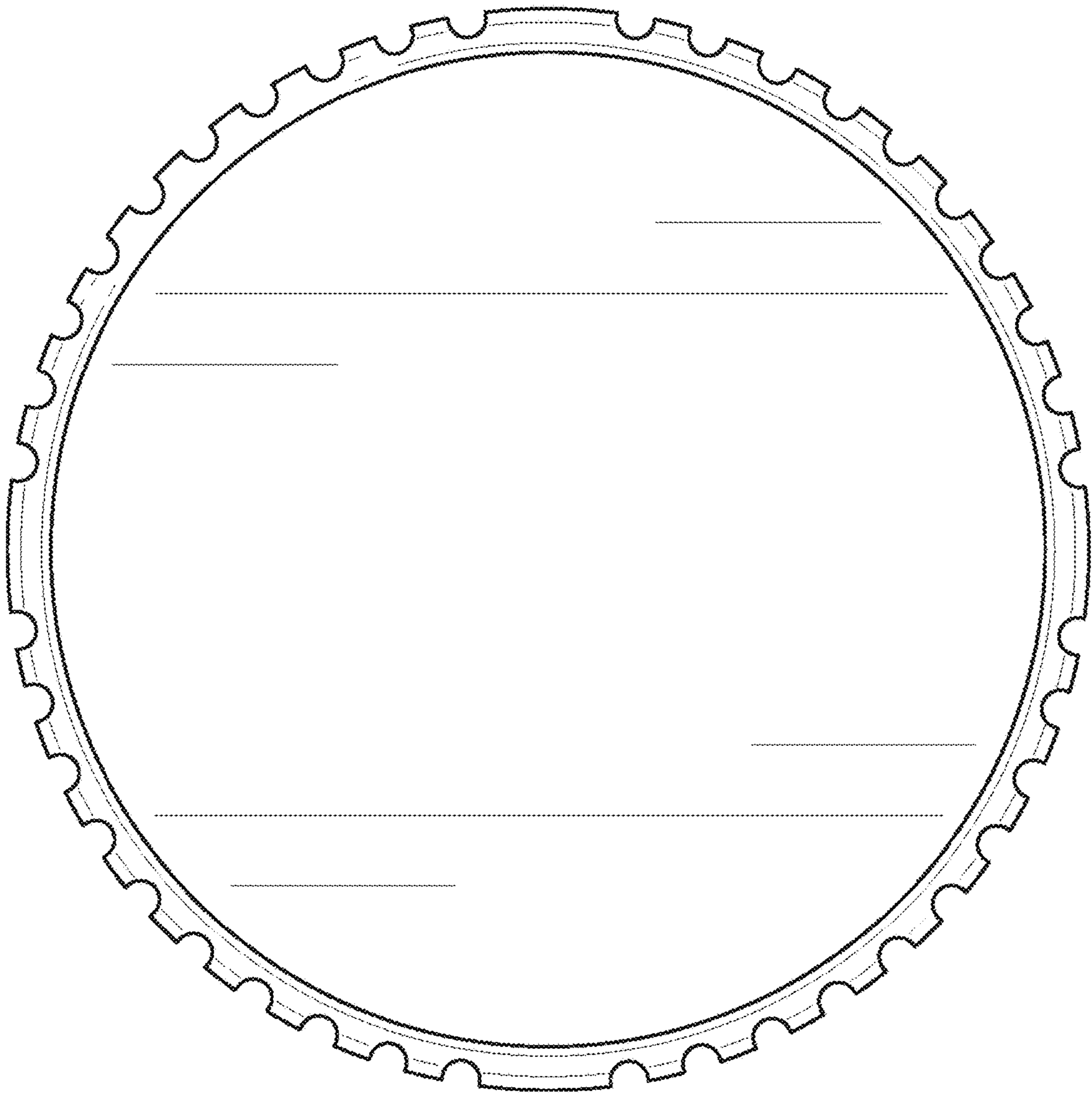
2010/0101061 A1* 4/2010 Ha A43C 7/00
24/712.5
2010/0251524 A1* 10/2010 Chen A43C 11/165
24/713.2
2015/0007422 A1* 1/2015 Cavanagh A43C 11/165
29/434
2015/0237962 A1* 8/2015 Soderberg A43C 11/14
24/71 SK

* cited by examiner

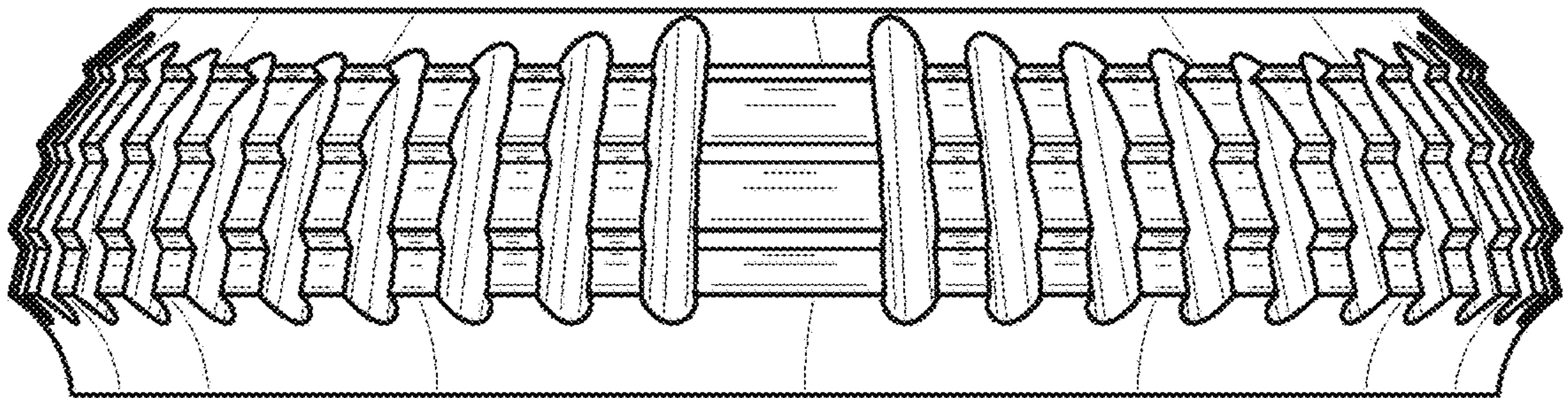
1.1



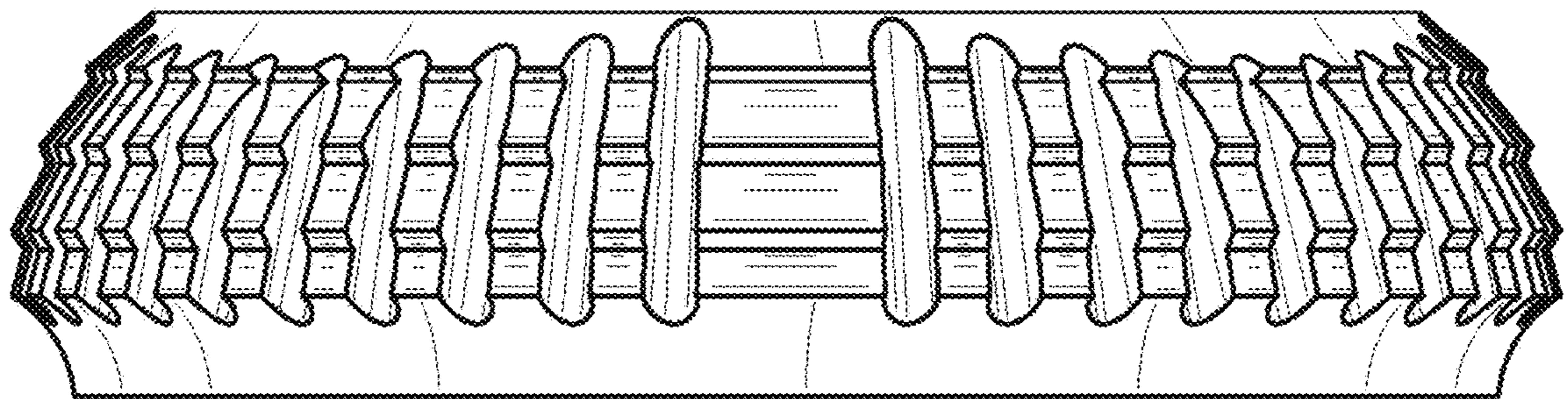
1.2



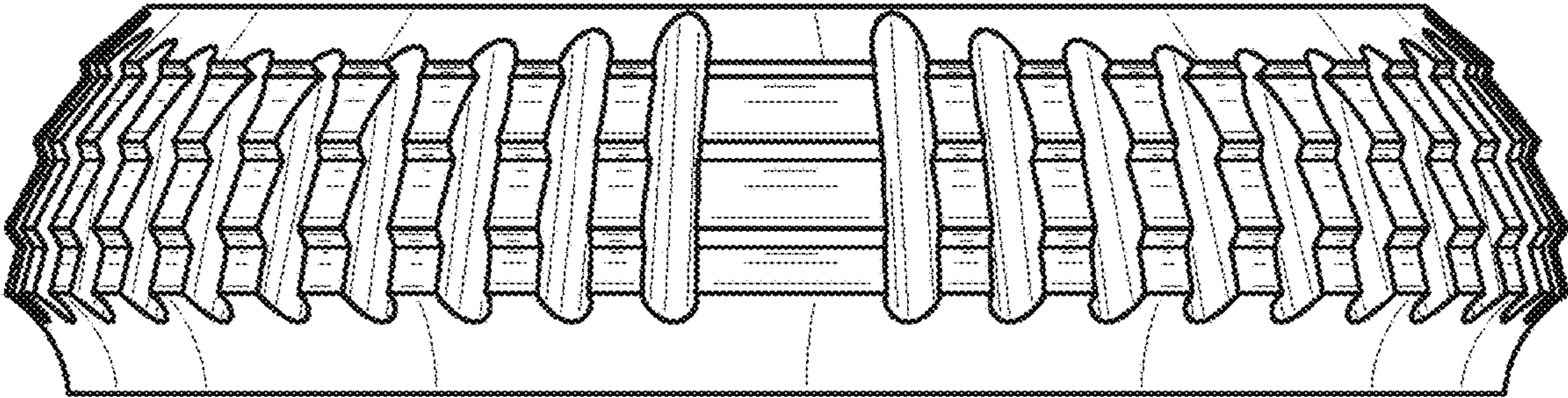
1.3



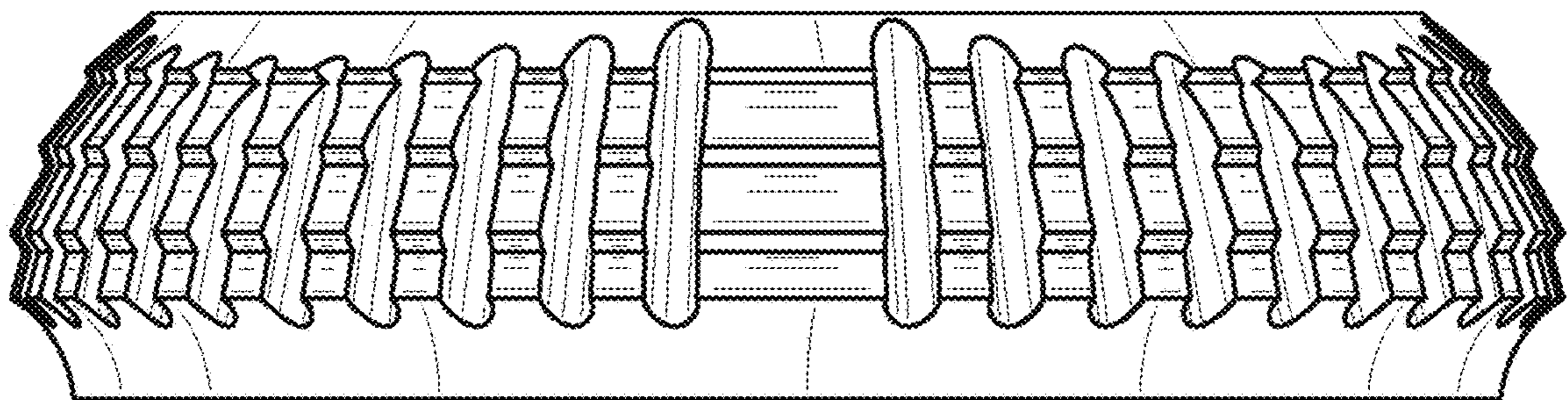
1.4



1.5



1.6



1.7

