



US00D983494S

(12) **United States Design Patent** (10) **Patent No.:** **US D983,494 S**
Chung et al. (45) **Date of Patent:** **** Apr. 18, 2023**

- (54) **FOOTWEAR UPPER**
- (71) Applicant: **Deckers Outdoor Corporation**, Goleta, CA (US)
- (72) Inventors: **Kayko Inhi Chung**, Santa Barbara, CA (US); **Claudia Maria Lopez Beltran**, Santa Barbara, CA (US)
- (73) Assignee: **Deckers Outdoor Corporation**, Goleta, CA (US)
- (**) Term: **15 Years**
- (21) Appl. No.: **29/808,547**
- (22) Filed: **Sep. 21, 2021**
- (51) **LOC (14) Cl.** **02-04**
- (52) **U.S. Cl.**
USPC **D2/919**; D2/916
- (58) **Field of Classification Search**
USPC D2/896-900, 916-926, 946-955, 960, D2/969
CPC .. A43B 3/12; A43B 3/128; A43B 3/10; A43B 3/102
See application file for complete search history.

D951,603 S *	5/2022	Martin	D2/916
D955,729 S *	6/2022	Frain Terras	D2/916
D974,713 S *	1/2023	Frain Terras	D2/919
D975,406 S *	1/2023	Frain Terras	D2/919

OTHER PUBLICATIONS

UGG Australia catalog, Winter 2002 collection, "Fluff Slide" p. 29, Nov. 2002.
 Are Rihanna Puma Fur Slides Worth It? They Aren't Shower Shoes But They Sure Are Comfy, Bustle.com, by Amy Sciarretto, <https://www.bustle.com/articles/161253-are-rihanna-puma-fur-slides-worth-it-they-arent-shower-shoes-but-they-sure-are-comfy>, May 17, 2016.
 UGG Australia catalog, Fall/Winter 1999, "Cluggette", "Roo", "Mate" pp. 16-17, Nov. 1999.

(Continued)

Primary Examiner — Rashida C. Walshon
 (74) *Attorney, Agent, or Firm* — Greer, Burns & Crain, Ltd.

(57) **CLAIM**

The ornamental design for a footwear upper, as shown and described.

DESCRIPTION

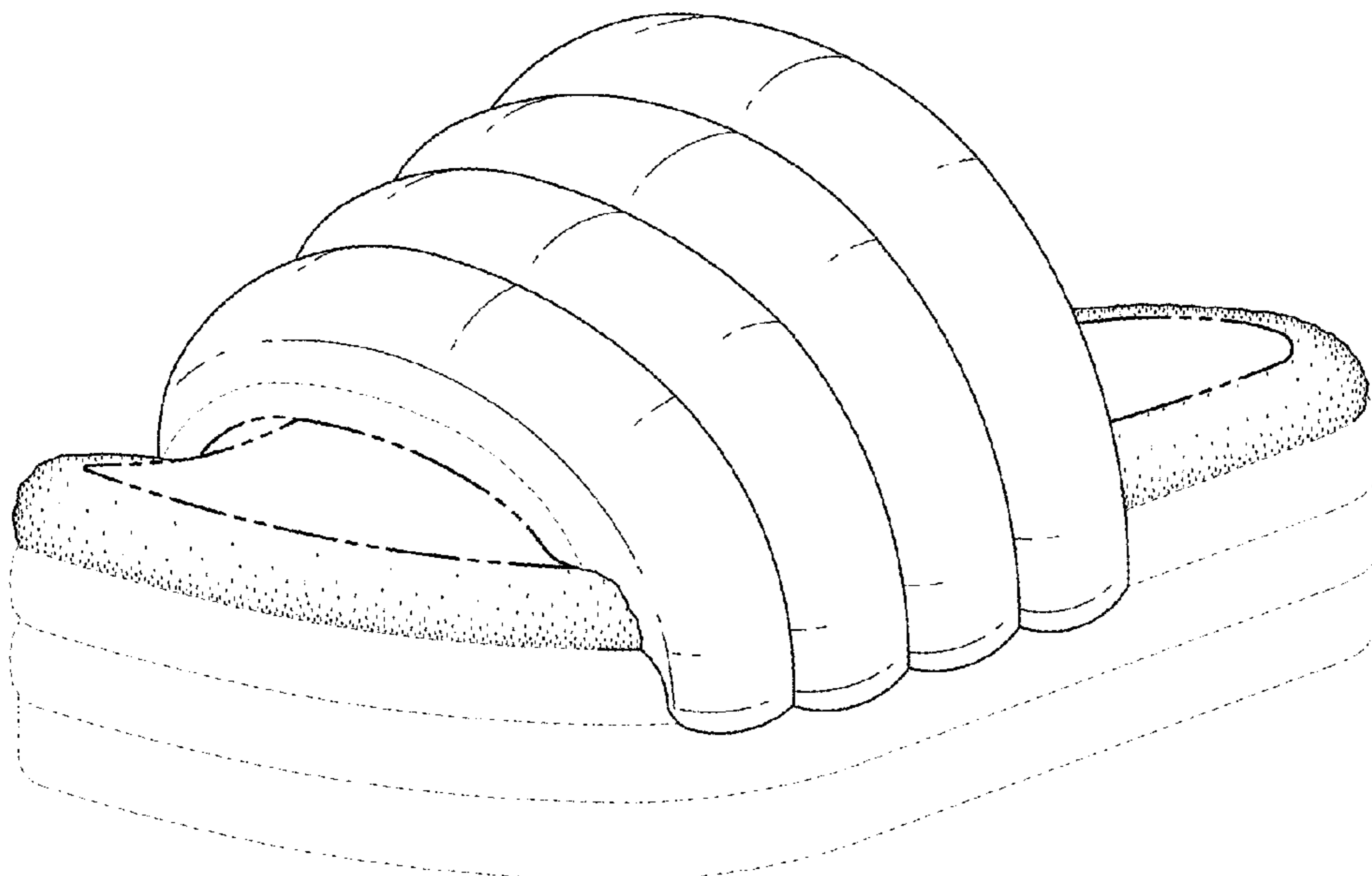
FIG. 1 is a front perspective view of a footwear upper showing our new design;
 FIG. 2 is a side elevational view thereof;
 FIG. 3 is an opposite side elevational view thereof;
 FIG. 4 is a front elevational view thereof;
 FIG. 5 is a rear elevational view thereof;
 FIG. 6 is a top plan view thereof; and,
 FIG. 7 is a bottom plan view thereof.
 The dot-dot-dash broken lines depict the bounds of the claim. The even dashed broken lines depict features of the footwear upper that form no part of the claimed design. The remaining even dashed broken lines showing the shoe sole form no part of the claimed design.

1 Claim, 3 Drawing Sheets

(56) **References Cited**

U.S. PATENT DOCUMENTS

D275,145 S *	8/1984	Glatz	D2/916
D481,861 S *	11/2003	Robbins	D2/916
D535,090 S *	1/2007	Belley	D2/969
D614,381 S	4/2010	MacIntyre		
D866,941 S	11/2019	Kim		
D901,869 S	11/2020	Kim		
D901,870 S	11/2020	Kim		
D916,443 S *	4/2021	Chen	D2/919
D920,652 S	6/2021	Frain Terras		
D928,492 S	8/2021	Kim		
D932,145 S *	10/2021	Brenner	D2/916



(56)

References Cited

OTHER PUBLICATIONS

UGG Australia catalog, Fall/Winter 2004, "Coquette" p. 13, Nov. 2004.

UGG Australia catalog, Winter 2002 collection, "Fluff Scuff" p. 29, Nov. 2002.

Puma Drops New Monochrome Platform Sandals, Missbish, by Jana K. Hoffman, at <https://missbish.com/puma-drops-new-monochrome-platform-sandals/> Apr. 2017.

Co-pending design U.S. Appl. No. 29/755,215, filed Oct. 19, 2020.

Co-pending design U.S. Appl. No. 29/782,061, filed May 4, 2021.

Co-pending design U.S. Appl. No. 29/782,069, filed May 4, 2021.

Co-pending design U.S. Appl. No. 29/782,066, filed May 4, 2021.

Co-pending design U.S. Appl. No. 29/802,290, filed Aug. 4, 2021.

Co-pending design U.S. Appl. No. 29/802,291, filed Aug. 4, 2021.

Co-pending design U.S. Appl. No. 29/802,293, filed Aug. 4, 2021.

Co-pending design U.S. Appl. No. 29/806,312, filed Sep. 2, 2021.

* cited by examiner

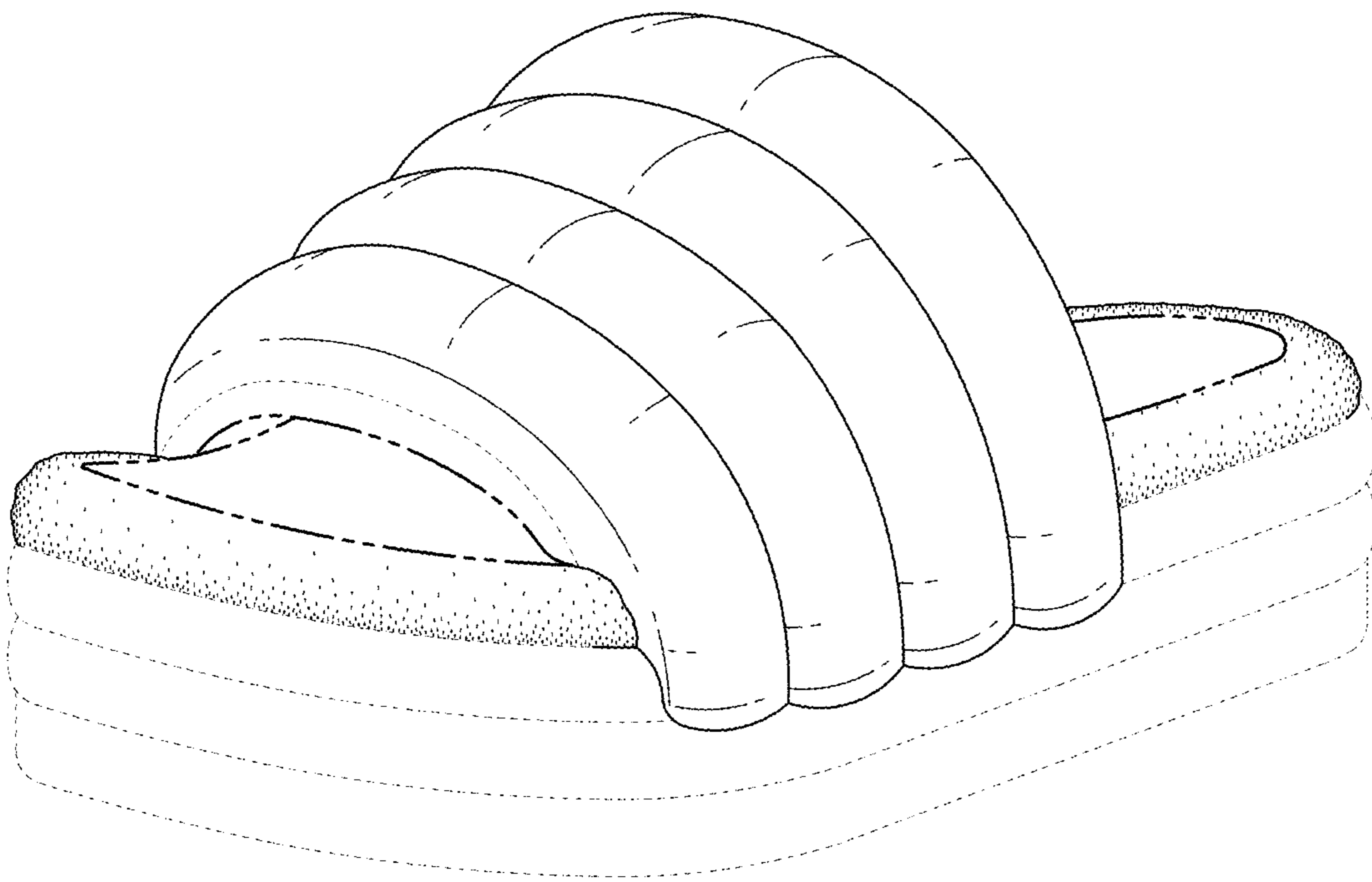


FIG. 1

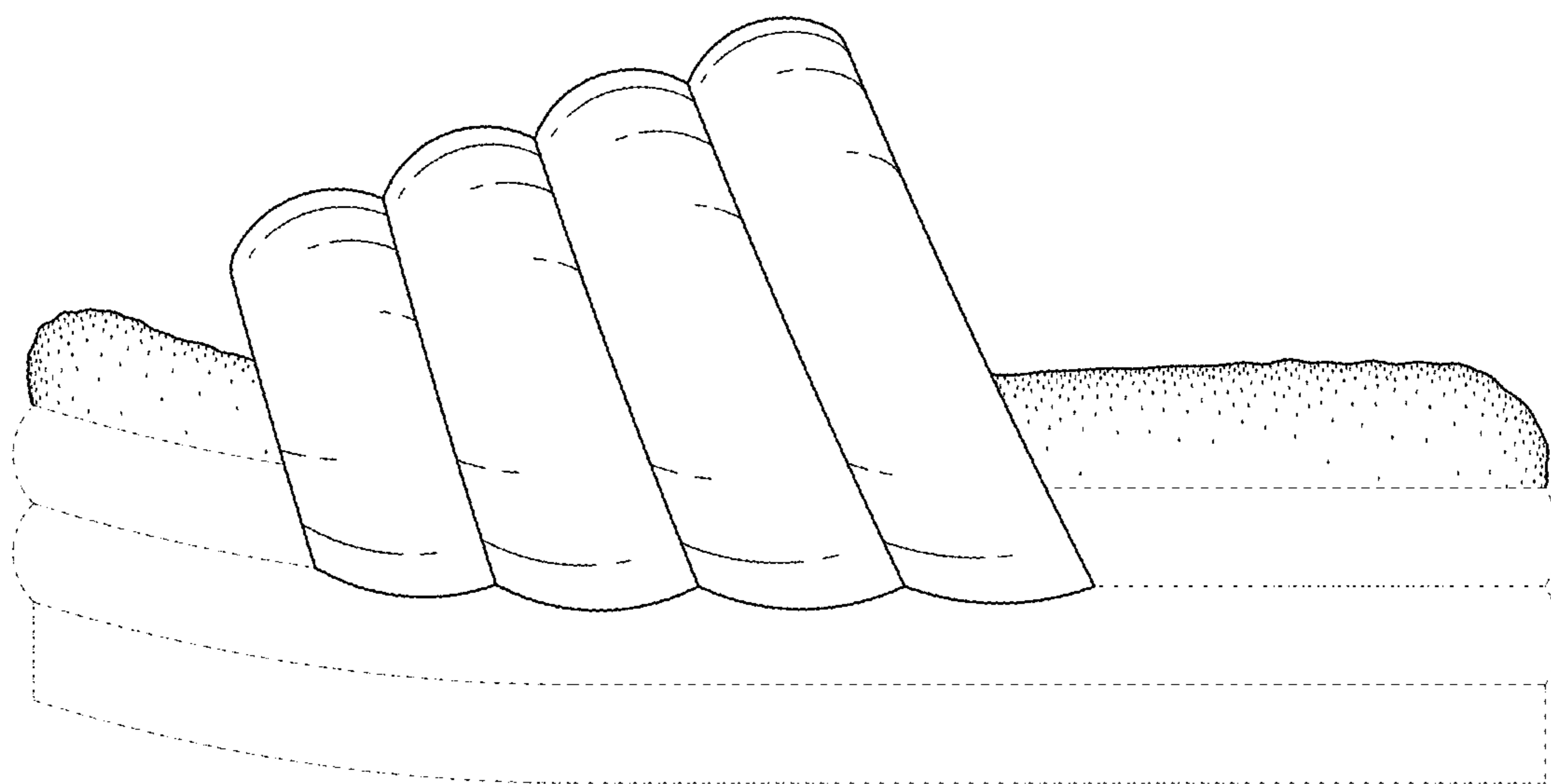


FIG. 2

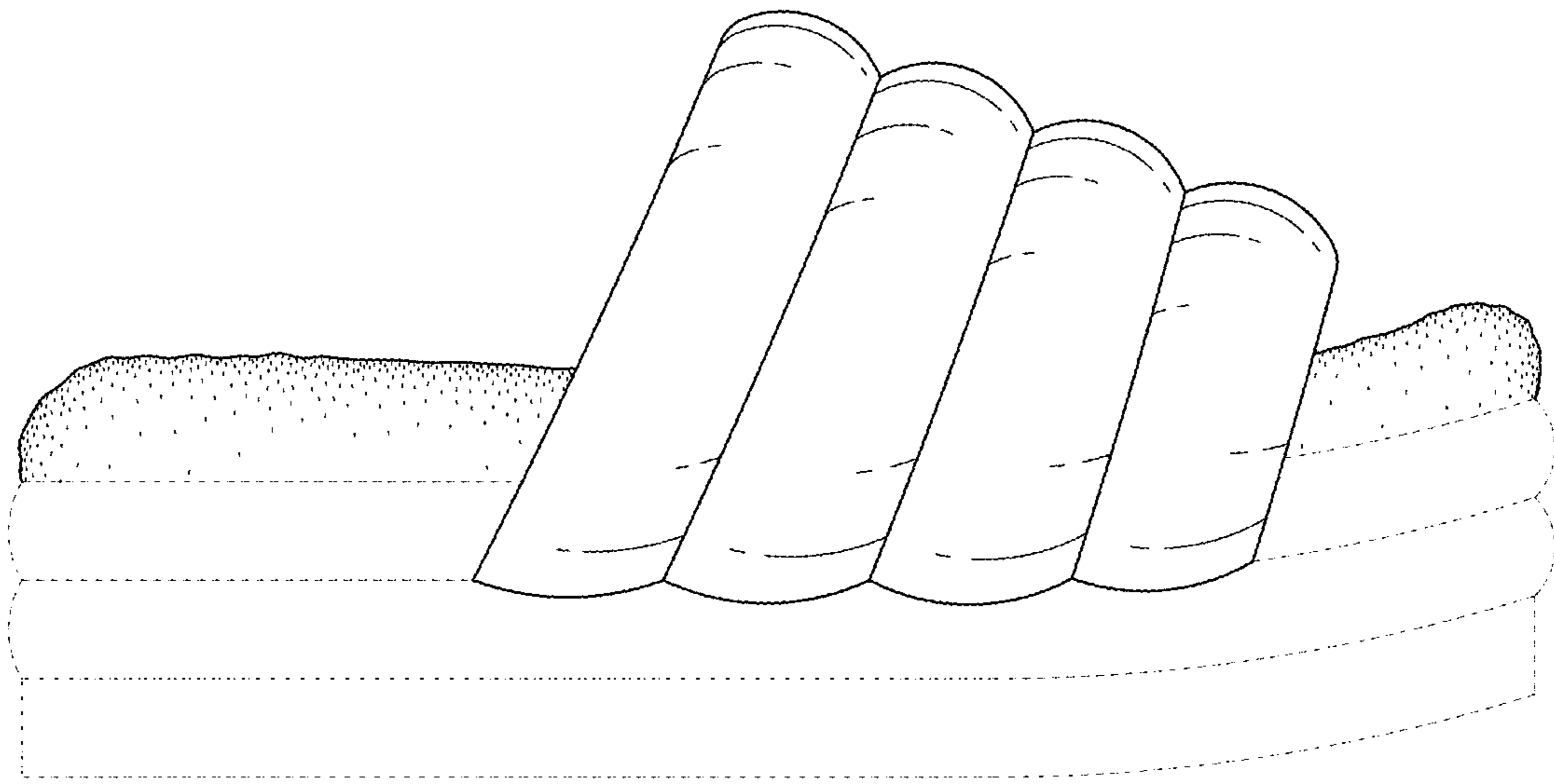


FIG. 3

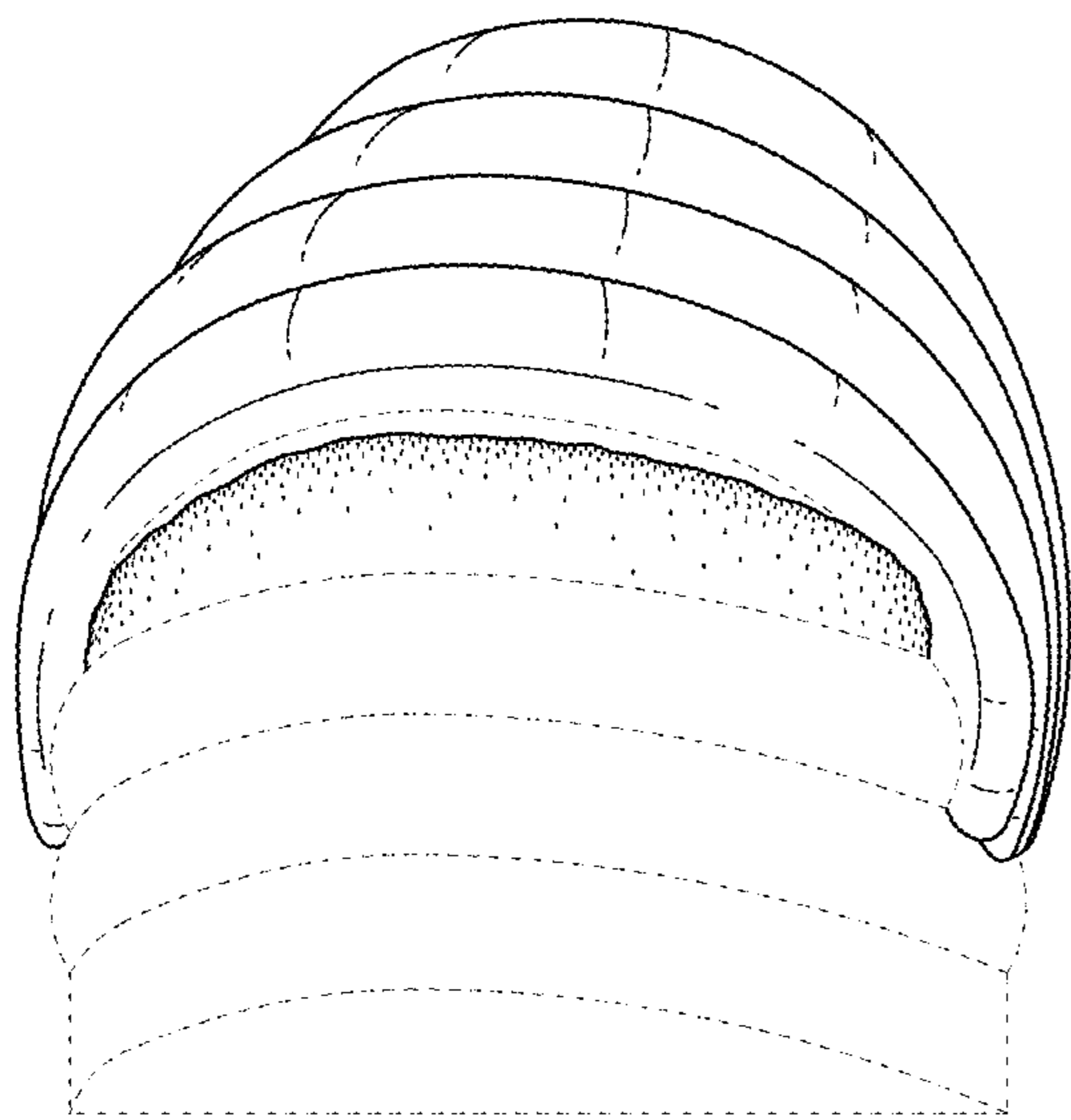


FIG. 4

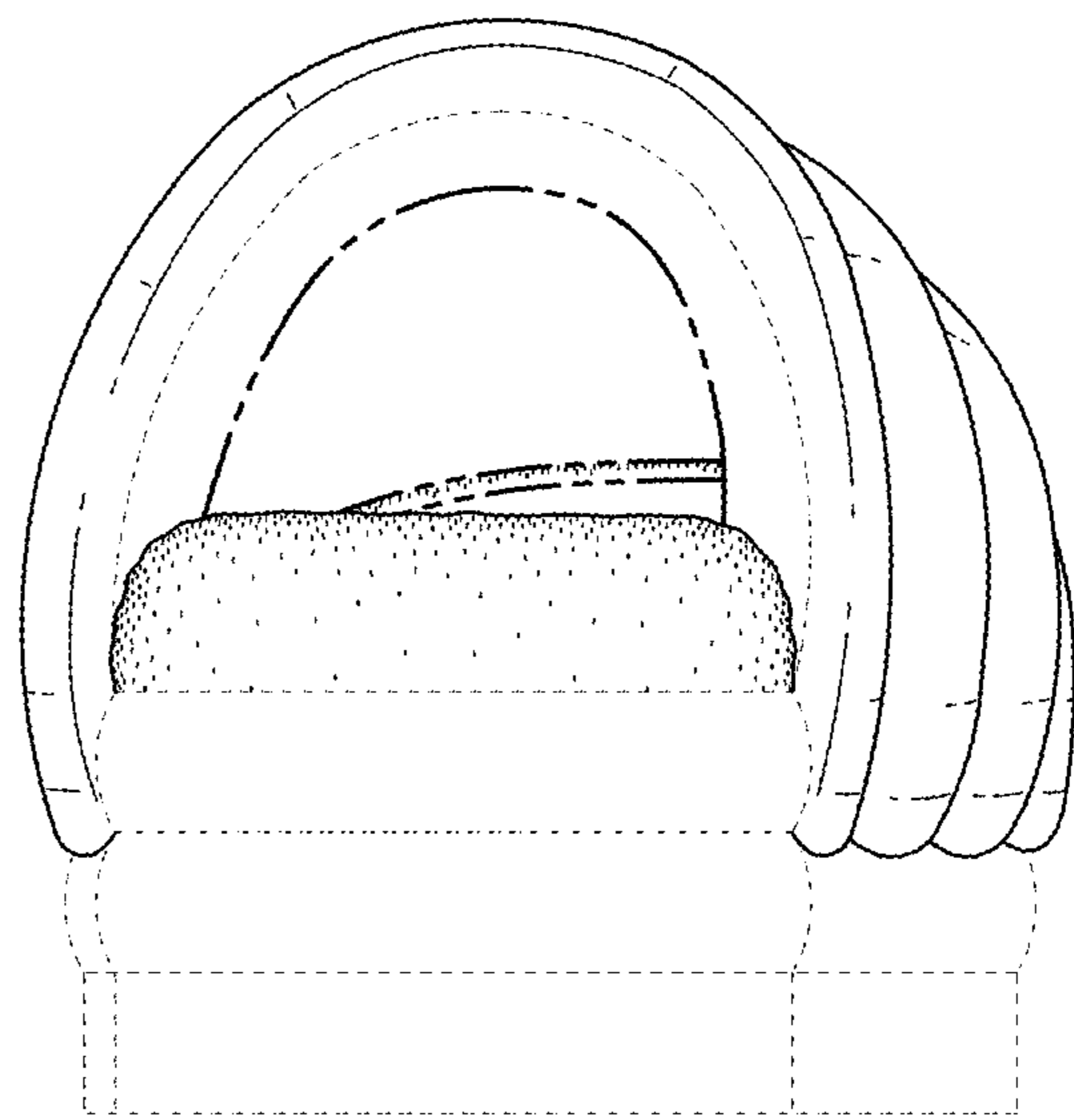


FIG. 5

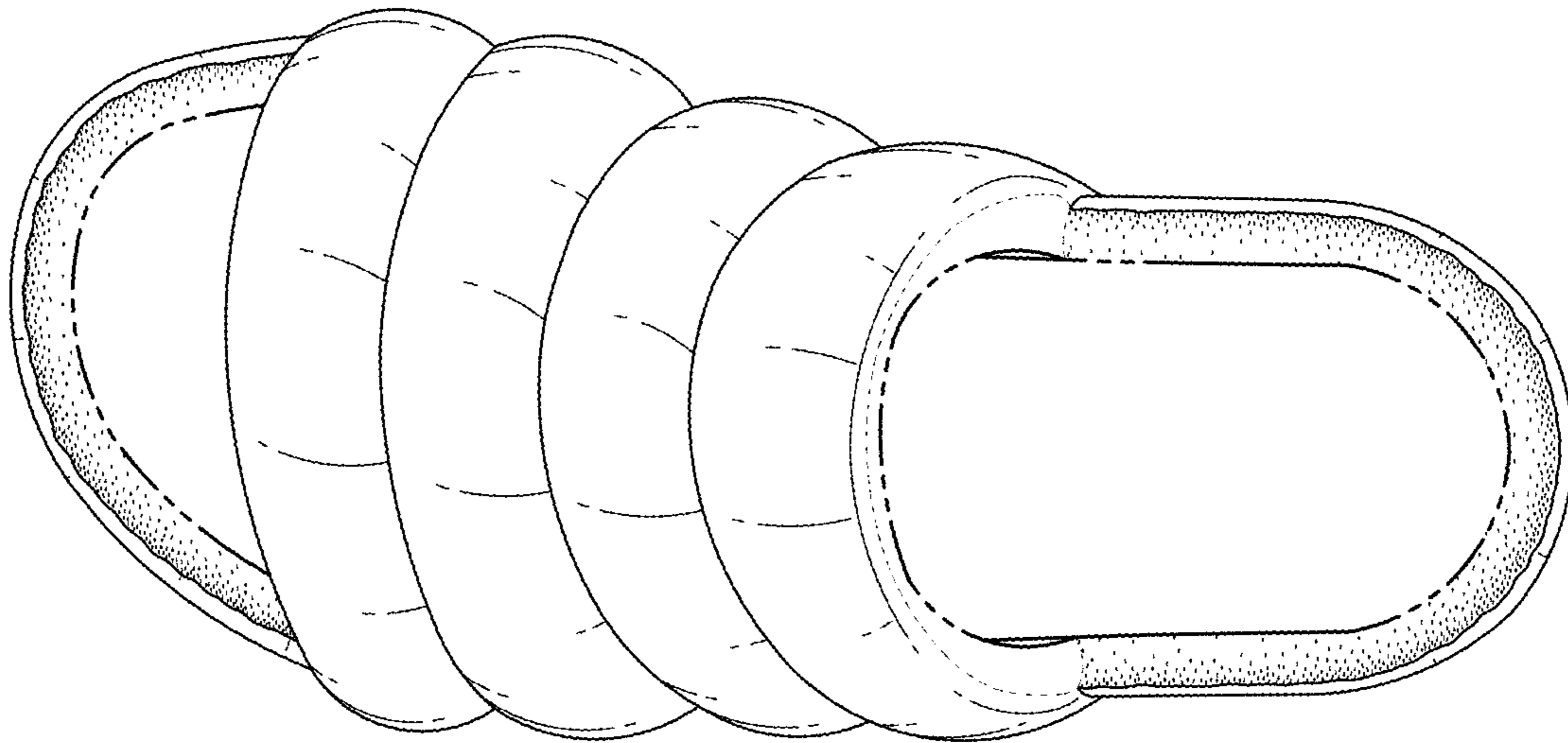


FIG. 6

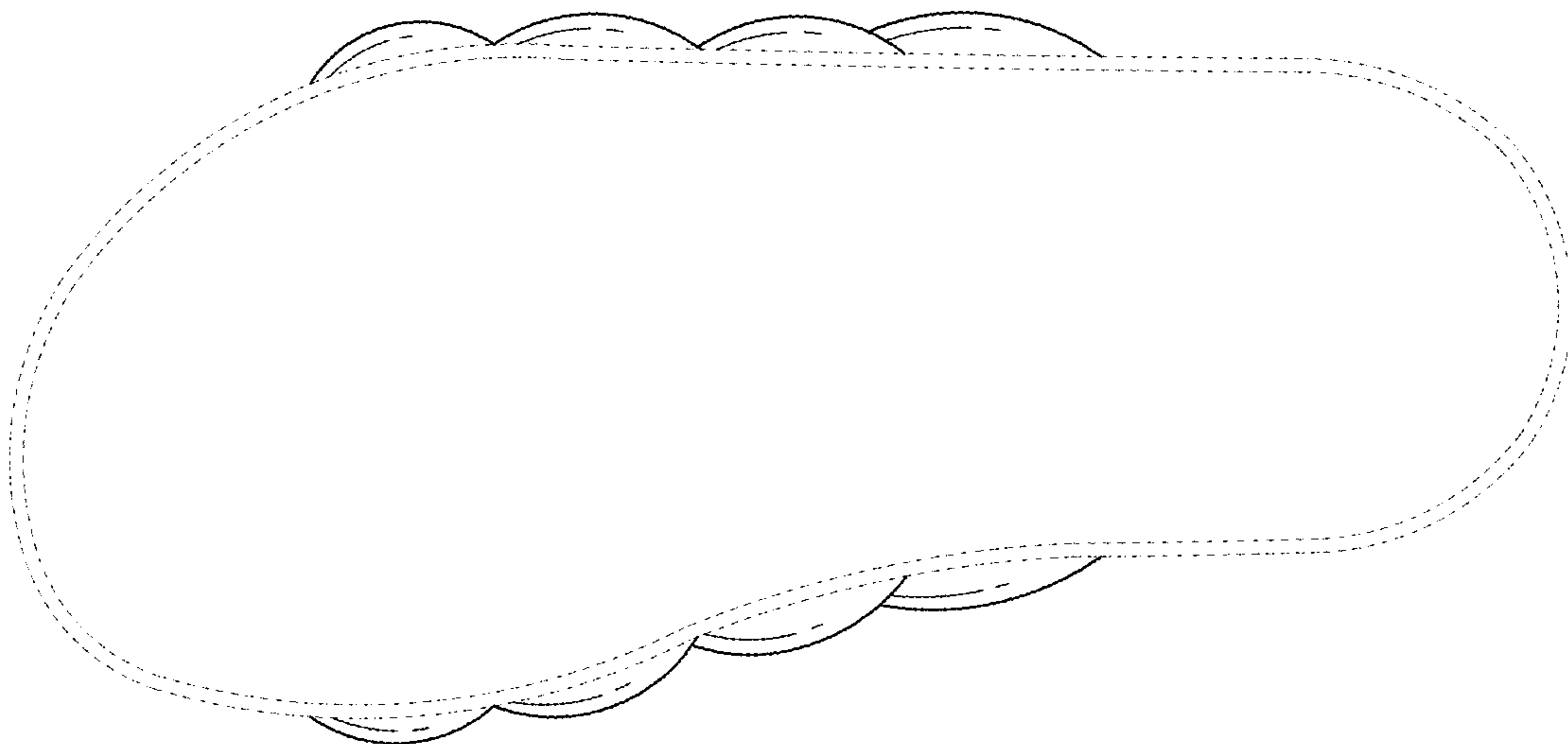


FIG. 7