



US00D983476S

(12) **United States Design Patent**
Huang

(10) **Patent No.:** **US D983,476 S**
(45) **Date of Patent:** **** Apr. 11, 2023**

- (54) **UPRIGHT POWER WINCH**
- (71) Applicant: **Comeup Industries Inc.**, New Taipei (TW)
- (72) Inventor: **Shih Jyi Huang**, New Taipei (TW)
- (73) Assignee: **Comeup Industries Inc.**, New Taipei (TW)
- (**) Term: **15 Years**
- (21) Appl. No.: **29/758,082**
- (22) Filed: **Nov. 12, 2020**
- (51) **LOC (14) Cl.** **12-05**
- (52) **U.S. Cl.**
USPC **D34/33**
- (58) **Field of Classification Search**
USPC D34/28, 29, 30, 31, 33, 34, 35
CPC B66F 5/04; B66F 5/00; B66F 5/02; B66F 3/42; B66F 3/44; B66F 1/06; B66F 19/00; B66F 2700/05; B66D 1/12; B66D 1/00; B66D 1/36; B66D 1/30; B66D 1/18; B66D 2700/01
See application file for complete search history.

D951,190 S * 5/2022 Huang D13/112
11,447,375 B2 * 9/2022 Huang B66D 1/28
2022/0098013 A1 * 3/2022 Huang B66D 1/14

FOREIGN PATENT DOCUMENTS

CN 306776704 * 8/2021

* cited by examiner

Primary Examiner — Cynthia Ramirez

Assistant Examiner — Tamara L Hahn

(74) *Attorney, Agent, or Firm* — Alan D. Kamrath; Karin L. Williams; Mayer & Williams PC

(57) **CLAIM**

The ornamental design for an upright power winch, as shown and described.

DESCRIPTION

FIG. 1 is a perspective view of the upright power winch showing my new design;
 FIG. 2 is a front devotional view thereof;
 FIG. 3 is a rear elevational view thereof;
 FIG. 4 is a left side elevational view thereof;
 FIG. 5 is a right side elevational view thereof;
 FIG. 6 is a top plan view thereof;
 FIG. 7 is a bottom plan view thereof; and,
 FIG. 8 is another perspective view showing the upright power winch.

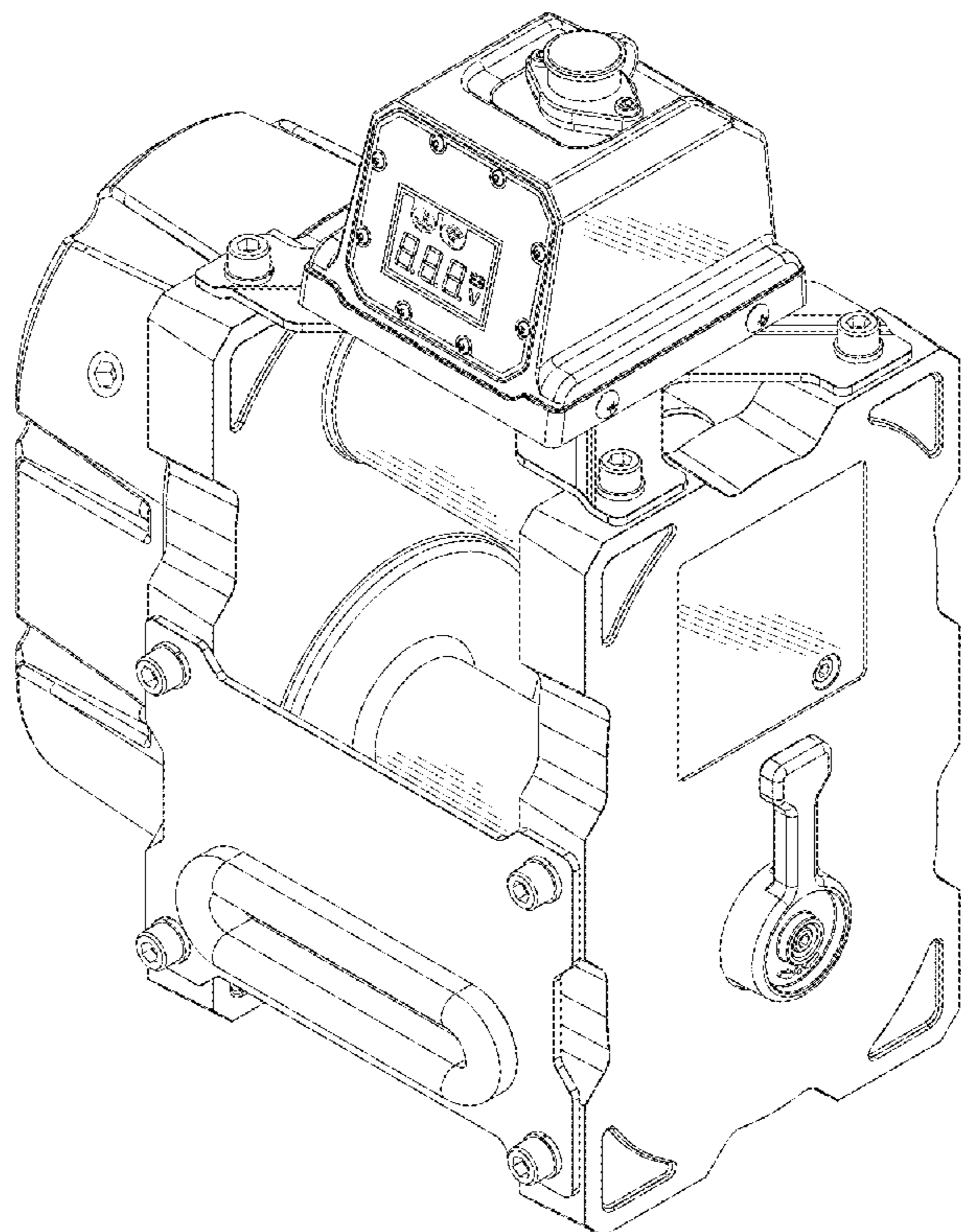
The broken lines in the drawings are for the purpose of illustrating portions of the upright power winch that form no part of the claimed design.

(56) **References Cited**

U.S. PATENT DOCUMENTS

D438,358 S * 2/2001 Huang D34/33
 8,434,742 B2 * 5/2013 Akhavein B66D 3/20
 254/347

1 Claim, 8 Drawing Sheets



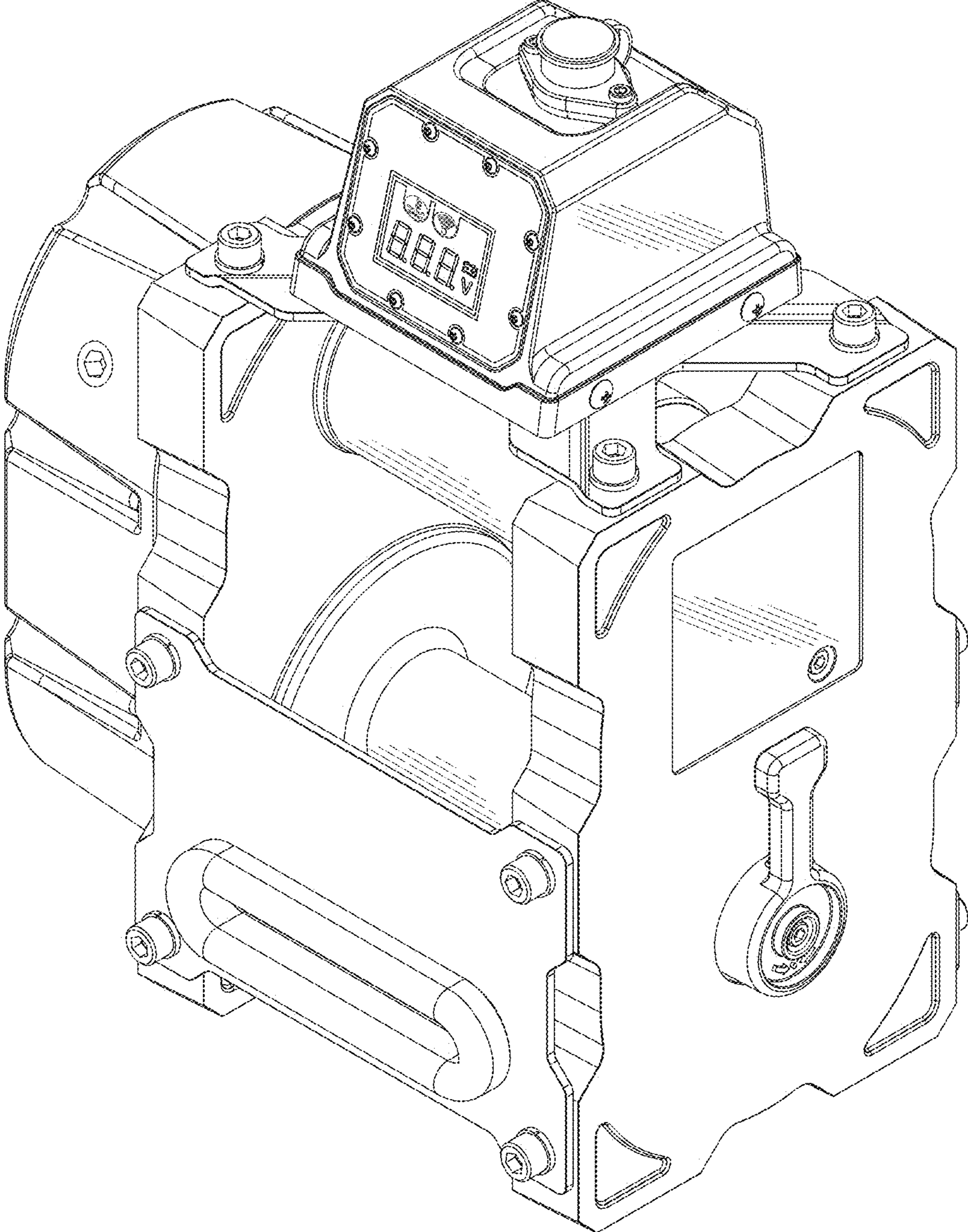


FIG. 1

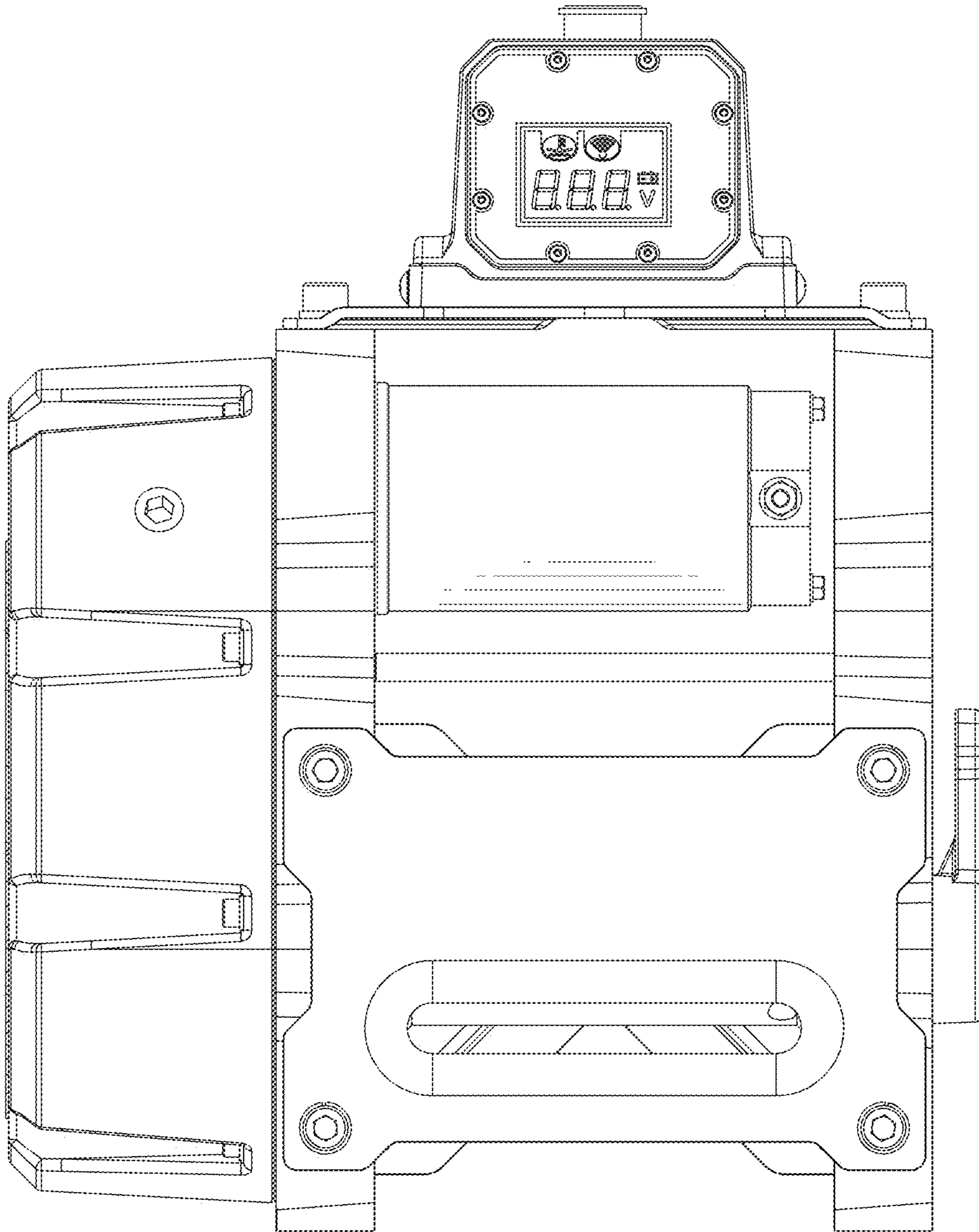


FIG. 2

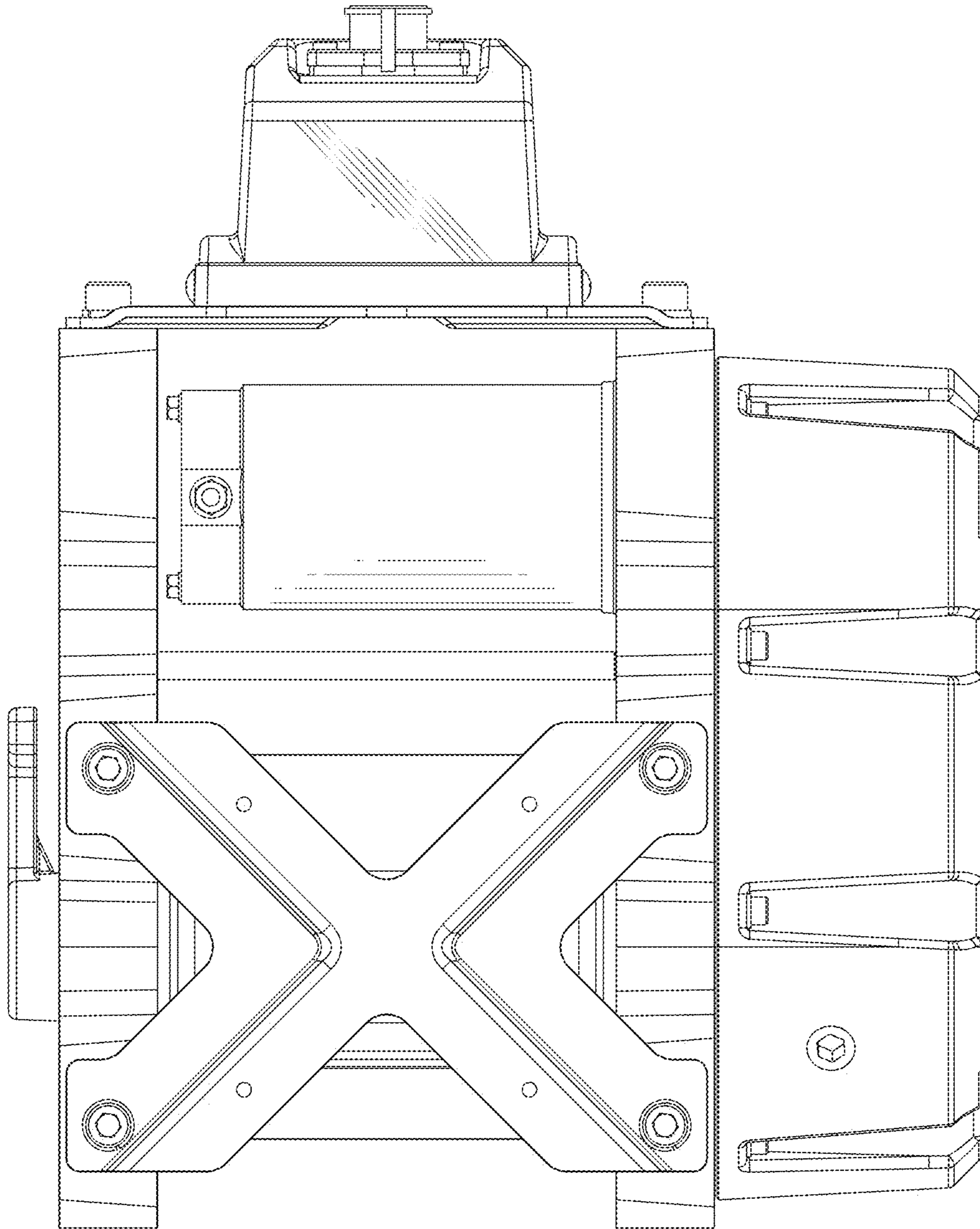


FIG. 3

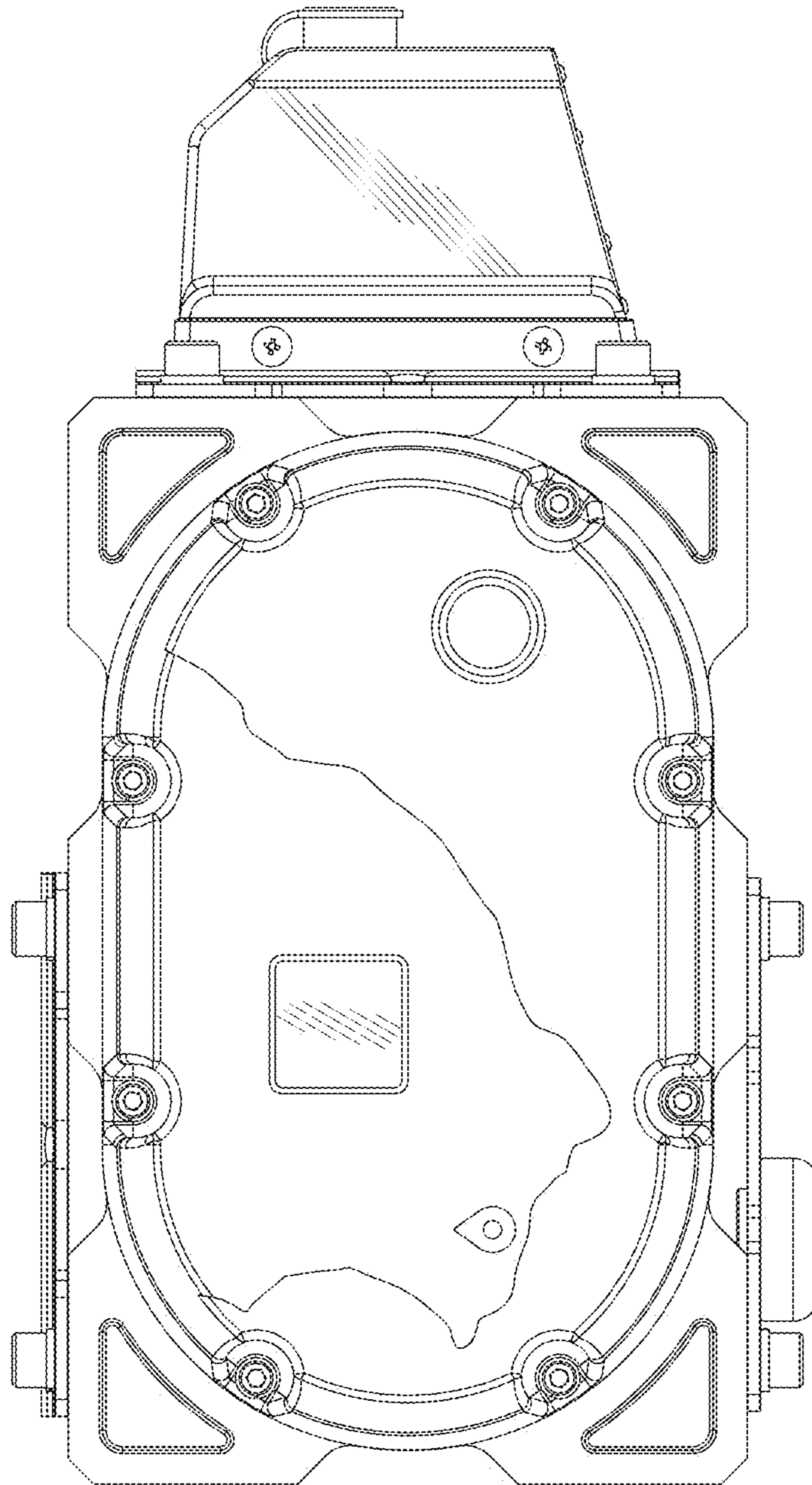


FIG. 4

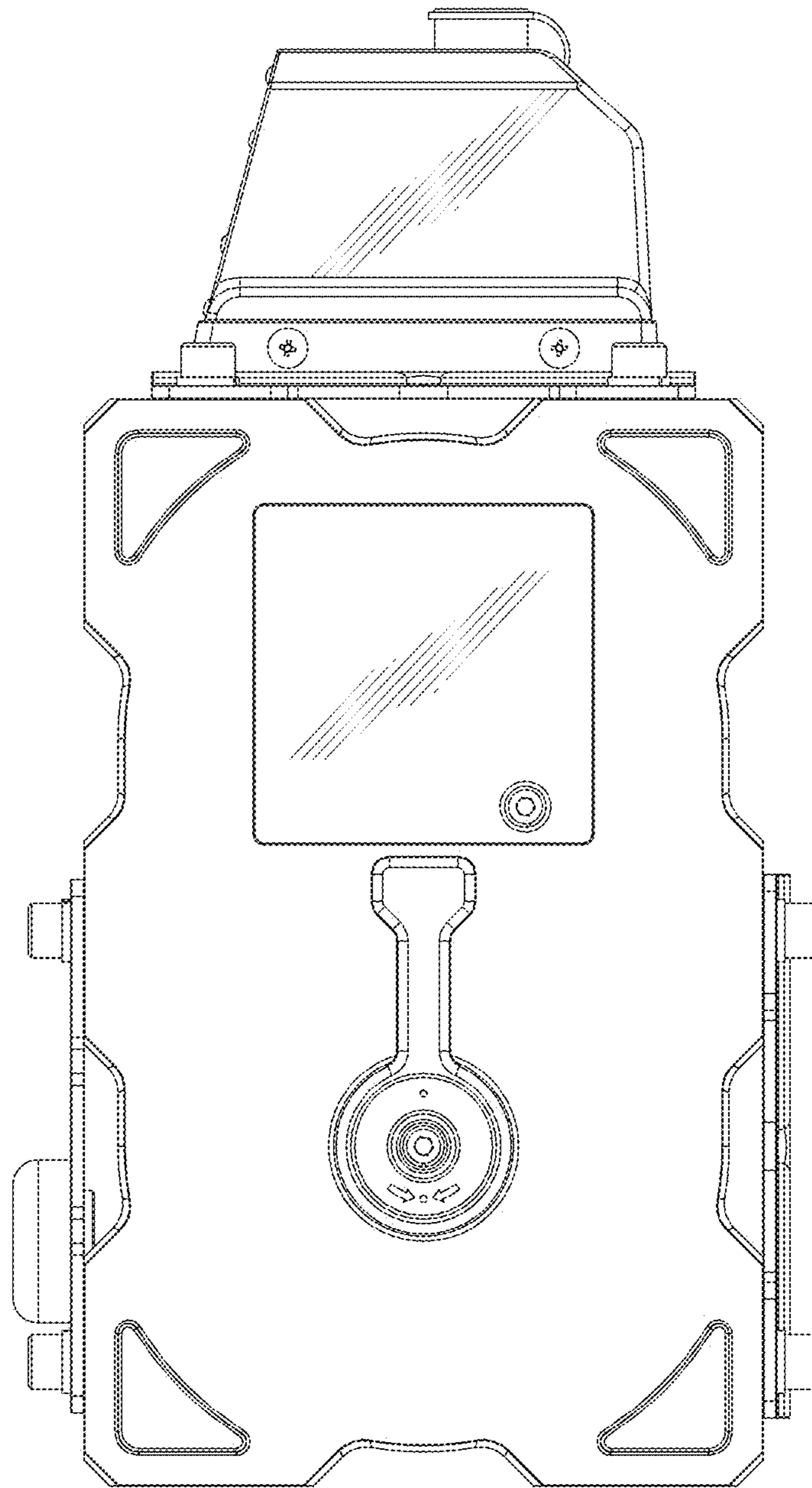


FIG. 5

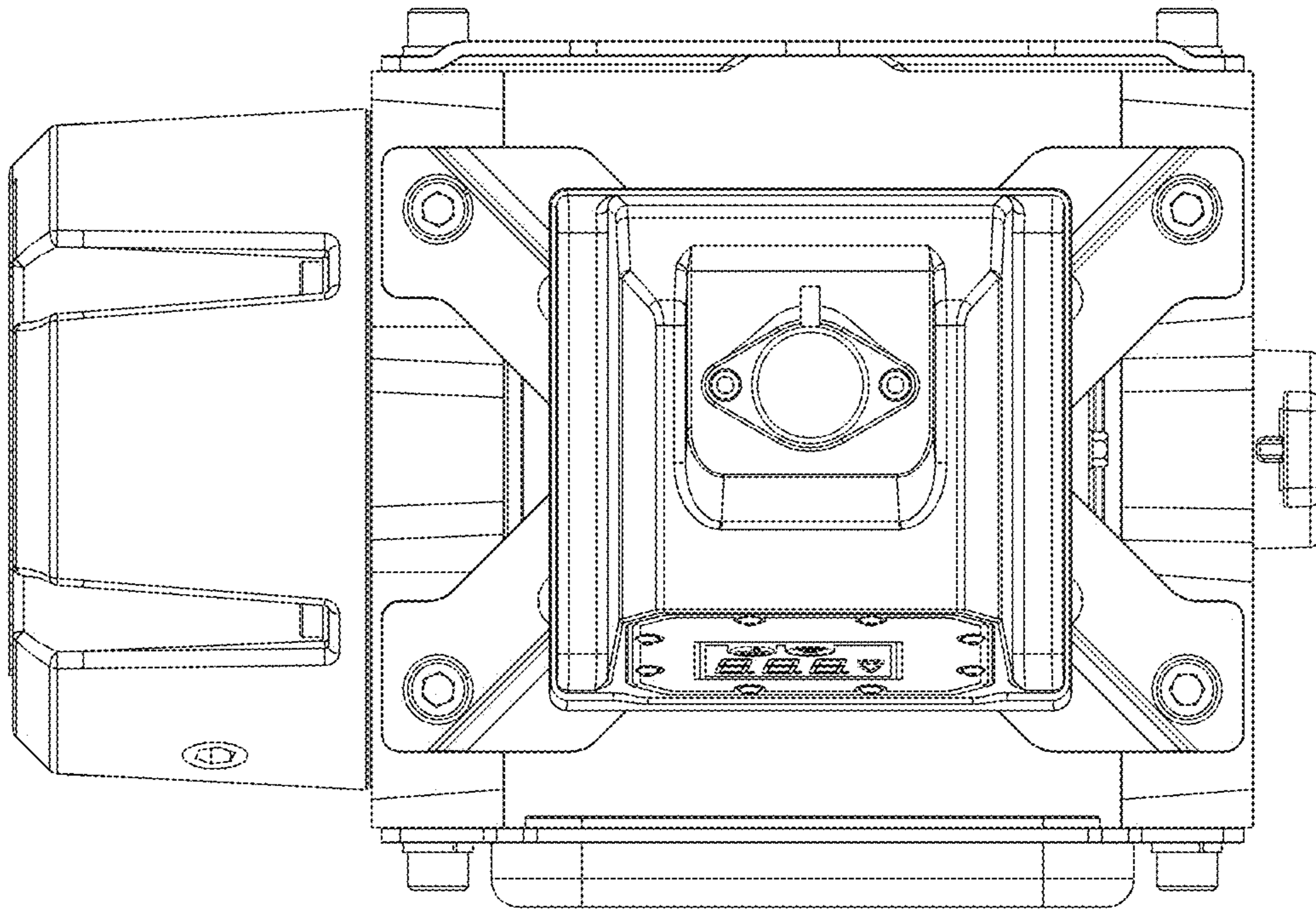


FIG. 6

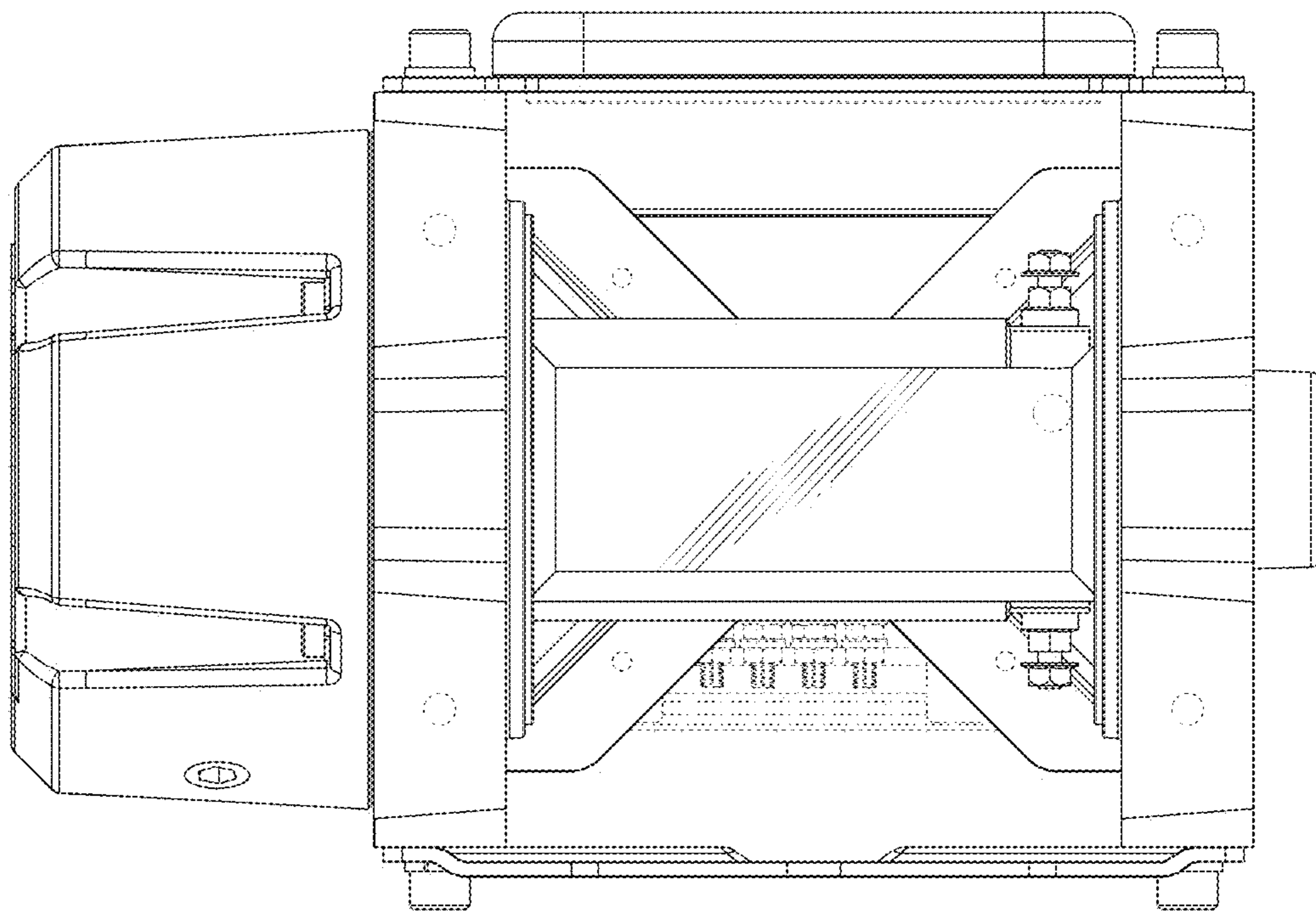


FIG. 7

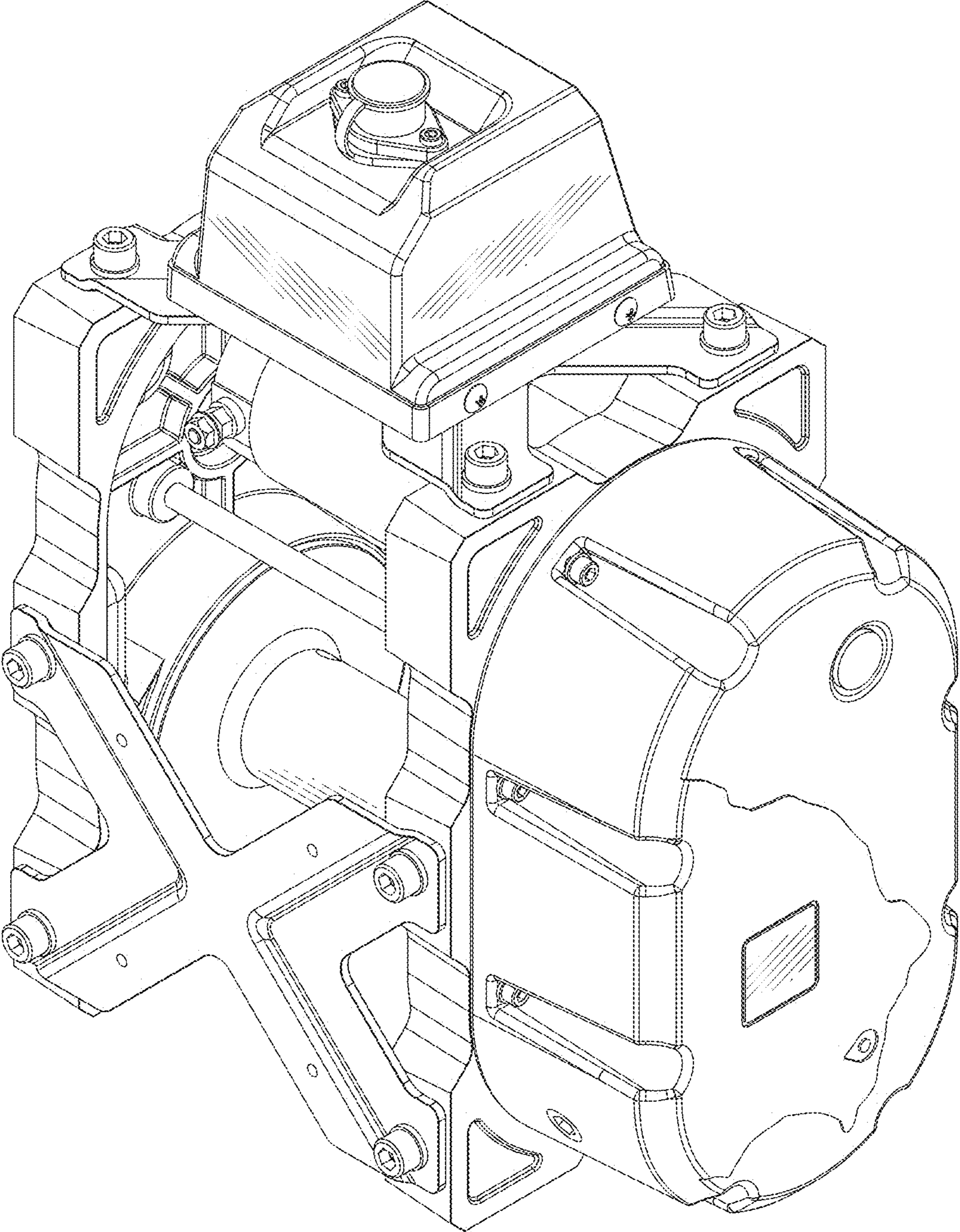


FIG. 8