



US00D983475S

(12) **United States Design Patent**  
**Kim**

(10) **Patent No.:** **US D983,475 S**  
(45) **Date of Patent:** **\*\* Apr. 11, 2023**

- (54) **GARBAGE CAN**
- (71) Applicant: **JANIBELL, INC.**, Rancho Cucamonga, CA (US)
- (72) Inventor: **Bum Kee Kim**, Rancho Cucamonga, CA (US)
- (73) Assignee: **JANIBELL, INC.**, Rancho Cucamonga, CA (US)
- (\*\*) Term: **15 Years**
- (21) Appl. No.: **29/781,115**
- (22) Filed: **Apr. 28, 2021**
- (30) **Foreign Application Priority Data**

5,671,859 A \* 9/1997 Sheu ..... B65F 1/163  
220/264  
6,631,930 B2 \* 10/2003 Haglund ..... B60N 2/366  
292/216  
10,294,023 B2 \* 5/2019 Chang ..... B65D 43/262

**FOREIGN PATENT DOCUMENTS**

KR 301126732.0000 \* 9/2021

\* cited by examiner

*Primary Examiner* — Cynthia Ramirez

*Assistant Examiner* — Tamara L Hahn

(74) *Attorney, Agent, or Firm* — Cantor Colburn LLP

(57) **CLAIM**

The ornamental design for a garbage can, as shown and described.

**DESCRIPTION**

- Oct. 29, 2020 (KR) ..... 30-2020-0051858
- (51) **LOC (14) Cl.** ..... **09-09**
- (52) **U.S. Cl.**  
USPC ..... **D34/10**
- (58) **Field of Classification Search**  
USPC ..... D34/1-11  
CPC ..... B65F 1/00; B65F 1/163; B65F 1/1638;  
B65F 1/0033; B65F 1/122; B65F  
2001/1489; Y10S 220/908  
See application file for complete search history.

FIG. 1 is a top-front-right side perspective view of a garbage can showing my new design;  
FIG. 2 is a front elevational view thereof;  
FIG. 3 is a rear elevational view thereof;  
FIG. 4 is a left side elevational view thereof;  
FIG. 5 is a right side elevational view thereof;  
FIG. 6 is a top plan view thereof;  
FIG. 7 is a bottom plan view thereof;  
FIG. 8 is an enlarged view of the portion 8 of FIG. 1; and,  
FIG. 9 is a cross-sectional view taken along the line 9-9 in FIG. 2.

The broken lines in the drawings depict portions of the garbage can that form no part of the claimed design. The broken line circles shown in FIGS. 1 and 8 depict enlarged views that form no part of the claimed design.

(56) **References Cited**  
**U.S. PATENT DOCUMENTS**

- 2,156,874 A \* 5/1939 Schonitzer ..... E05B 85/243  
292/216
- 2,665,934 A \* 1/1954 Allen ..... E05B 85/243  
292/216

**1 Claim, 9 Drawing Sheets**

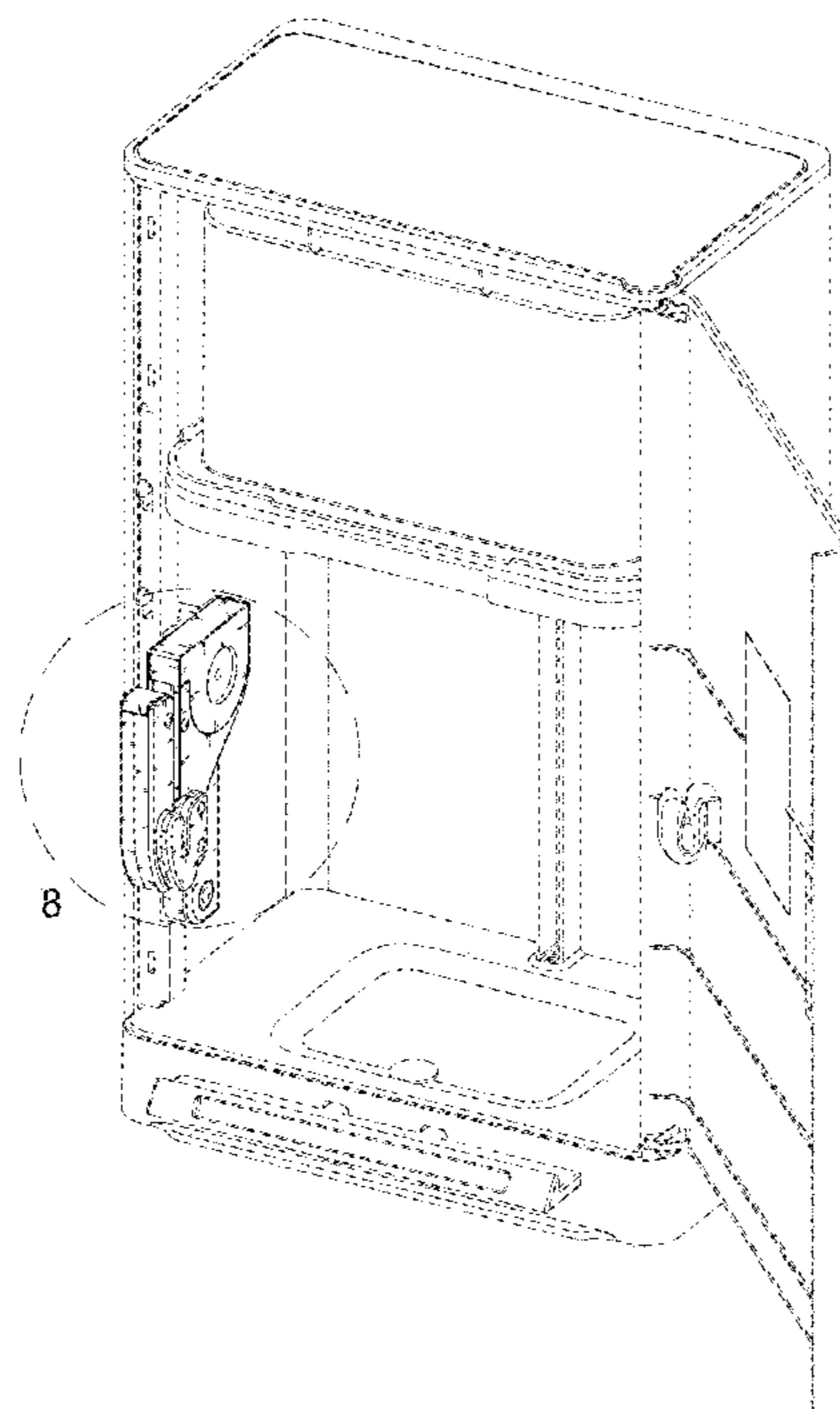


FIG. 1

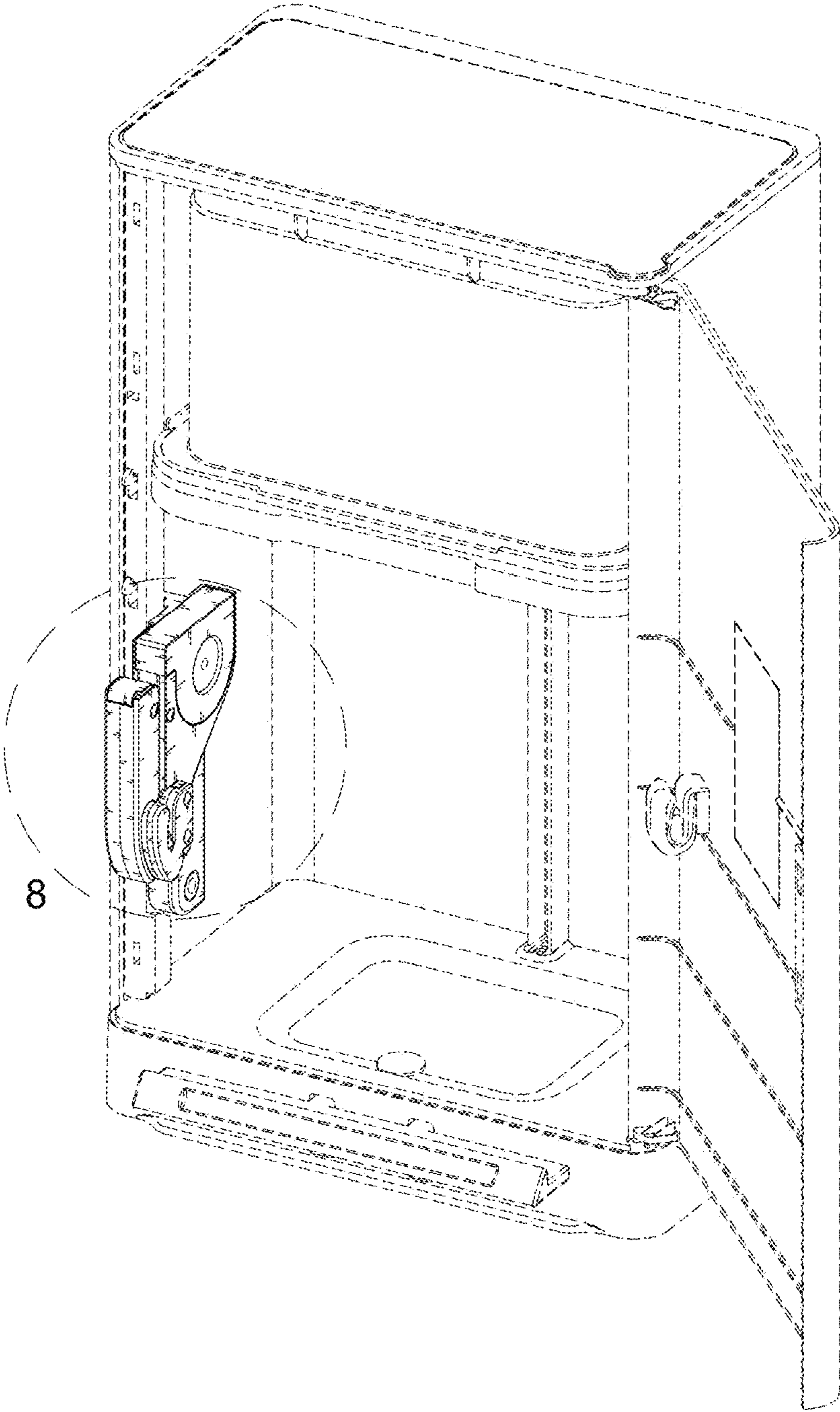


FIG. 2

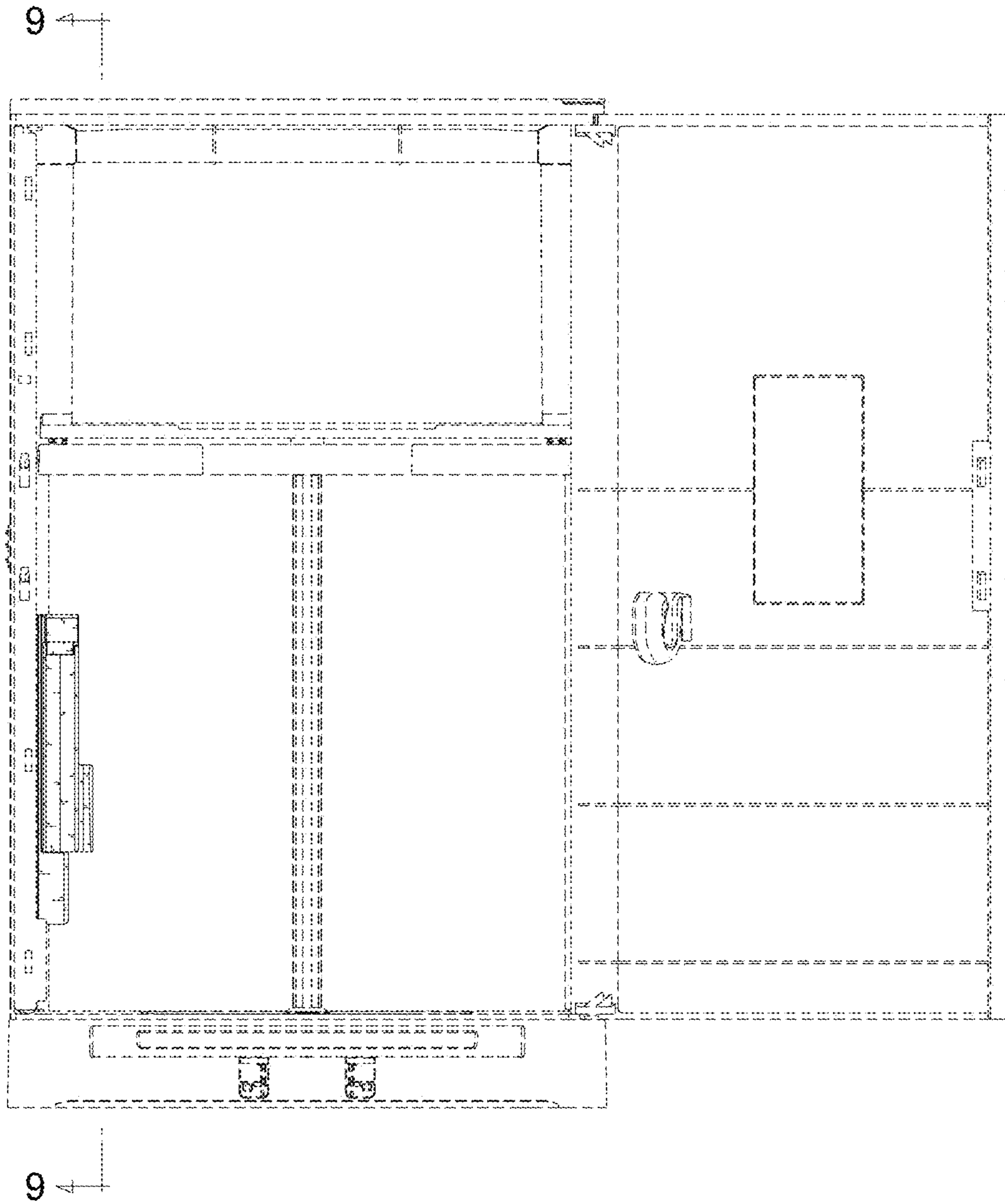


FIG. 3

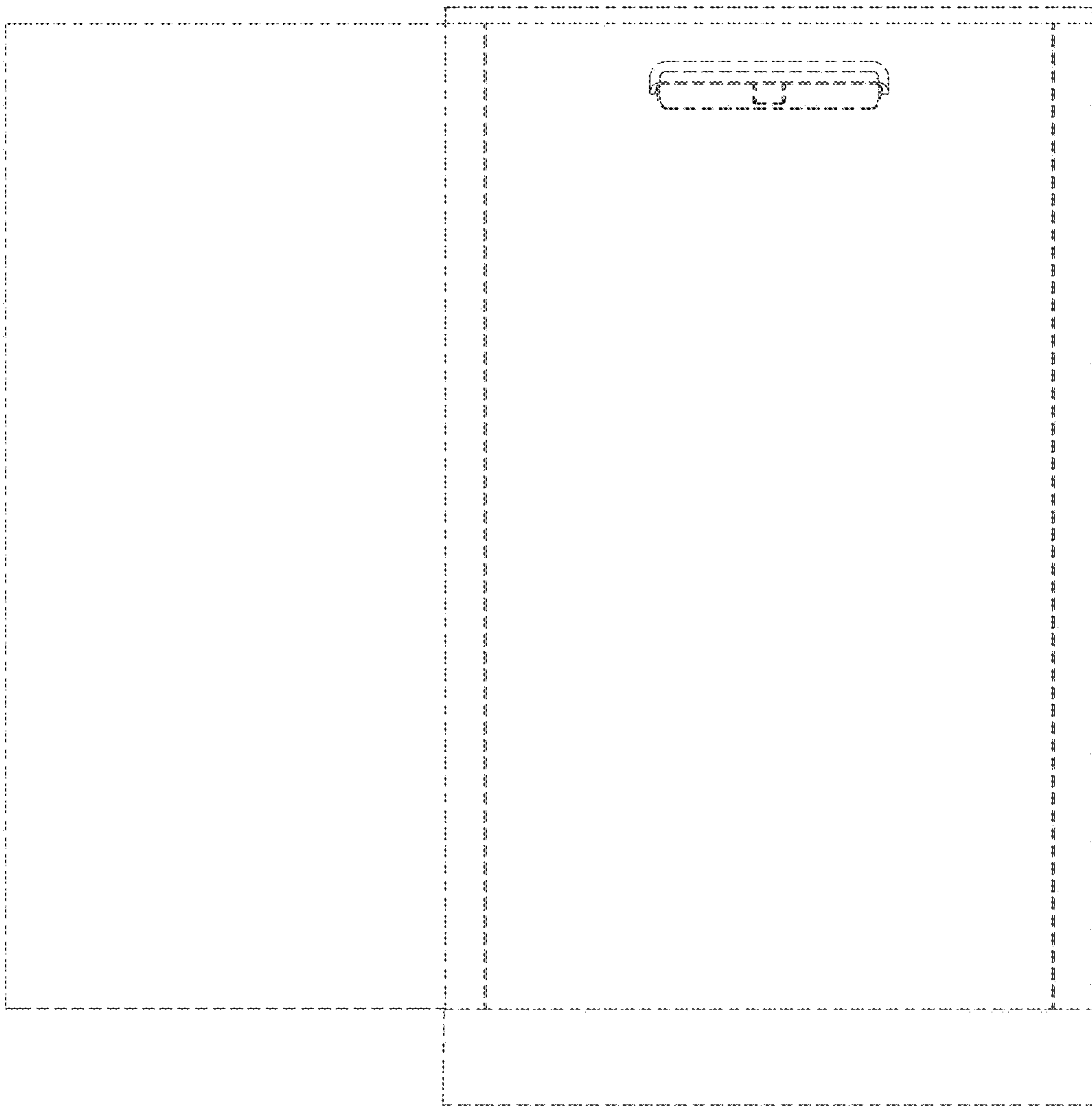


FIG. 4

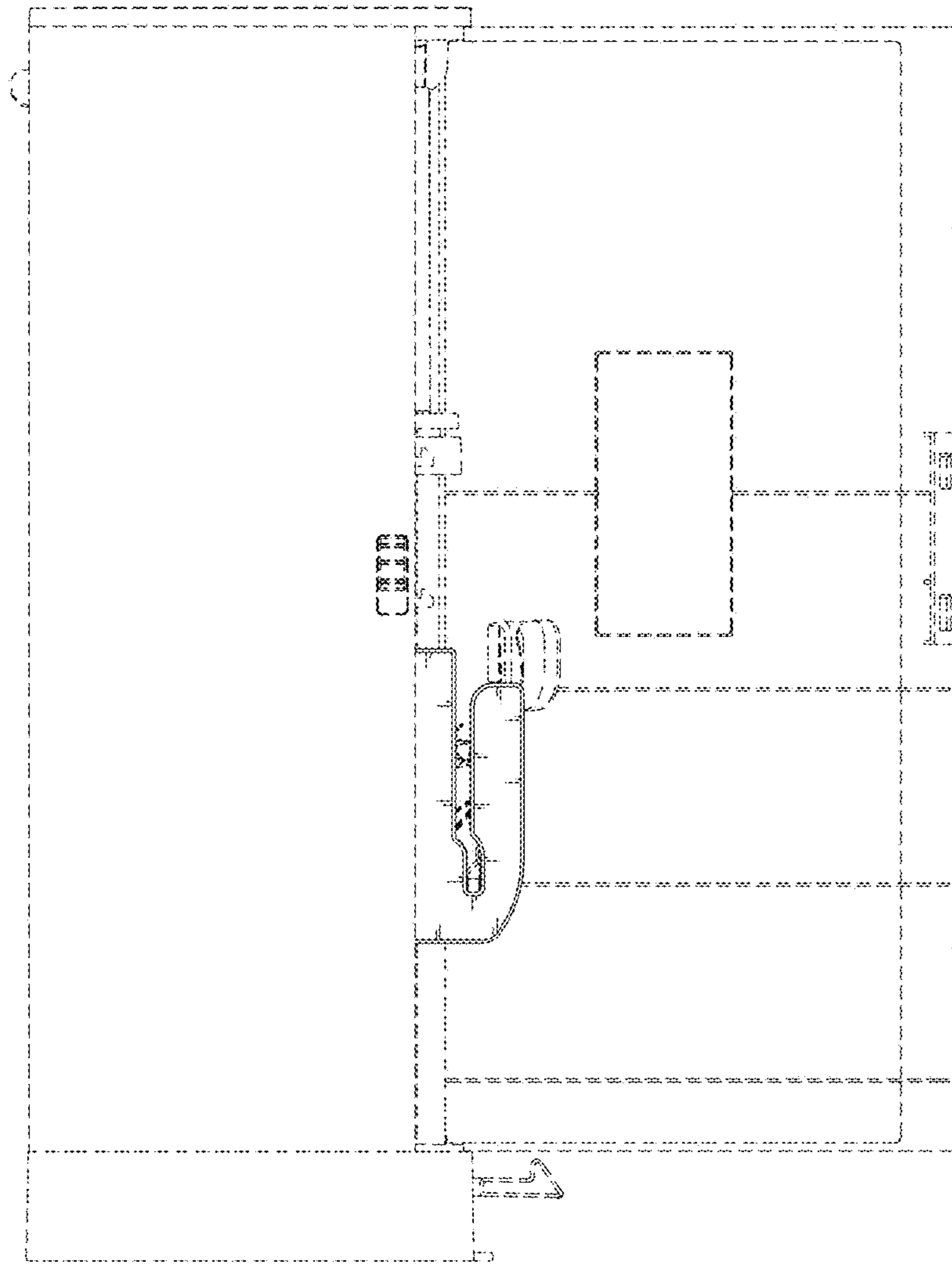


FIG. 5



FIG. 6

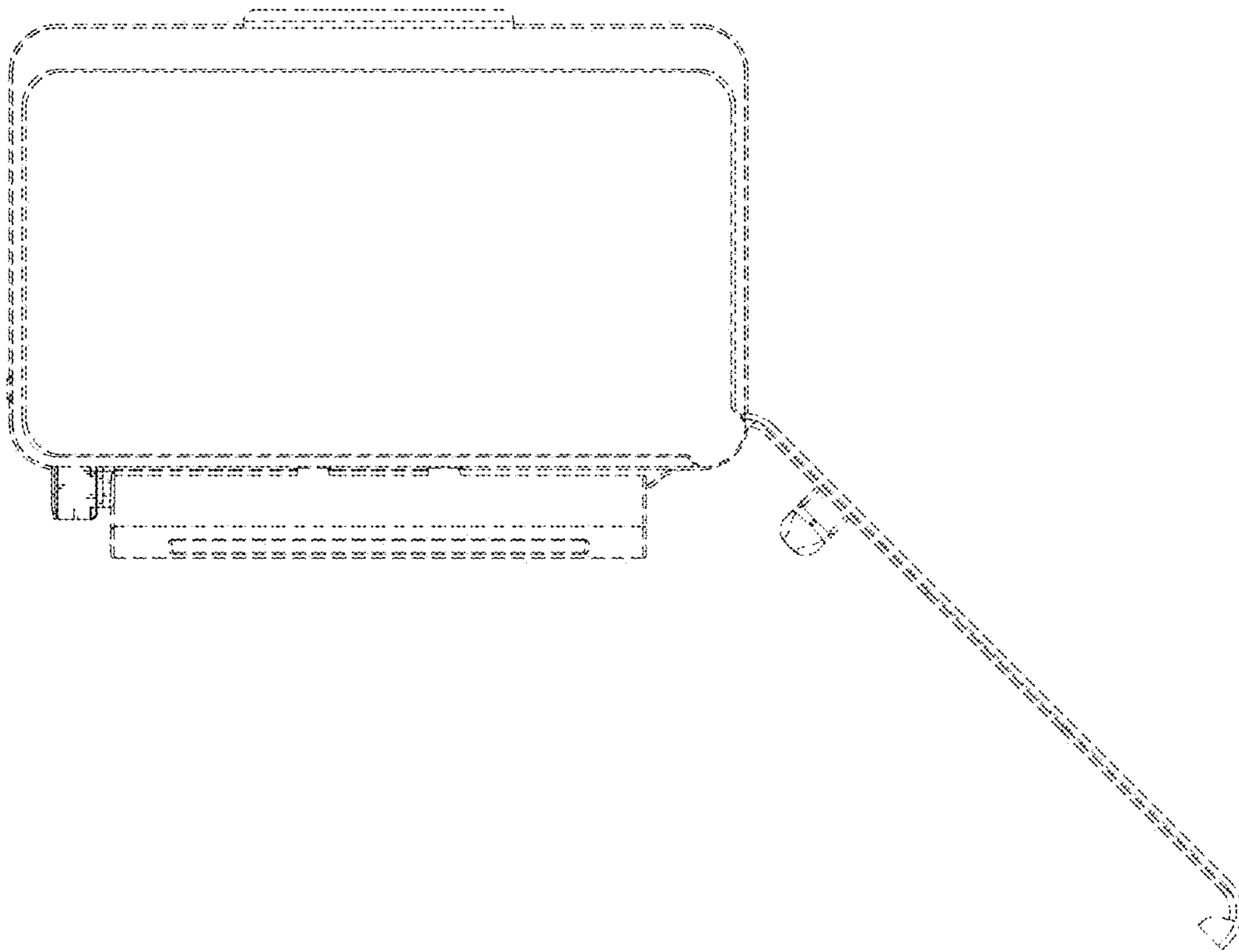


FIG. 7

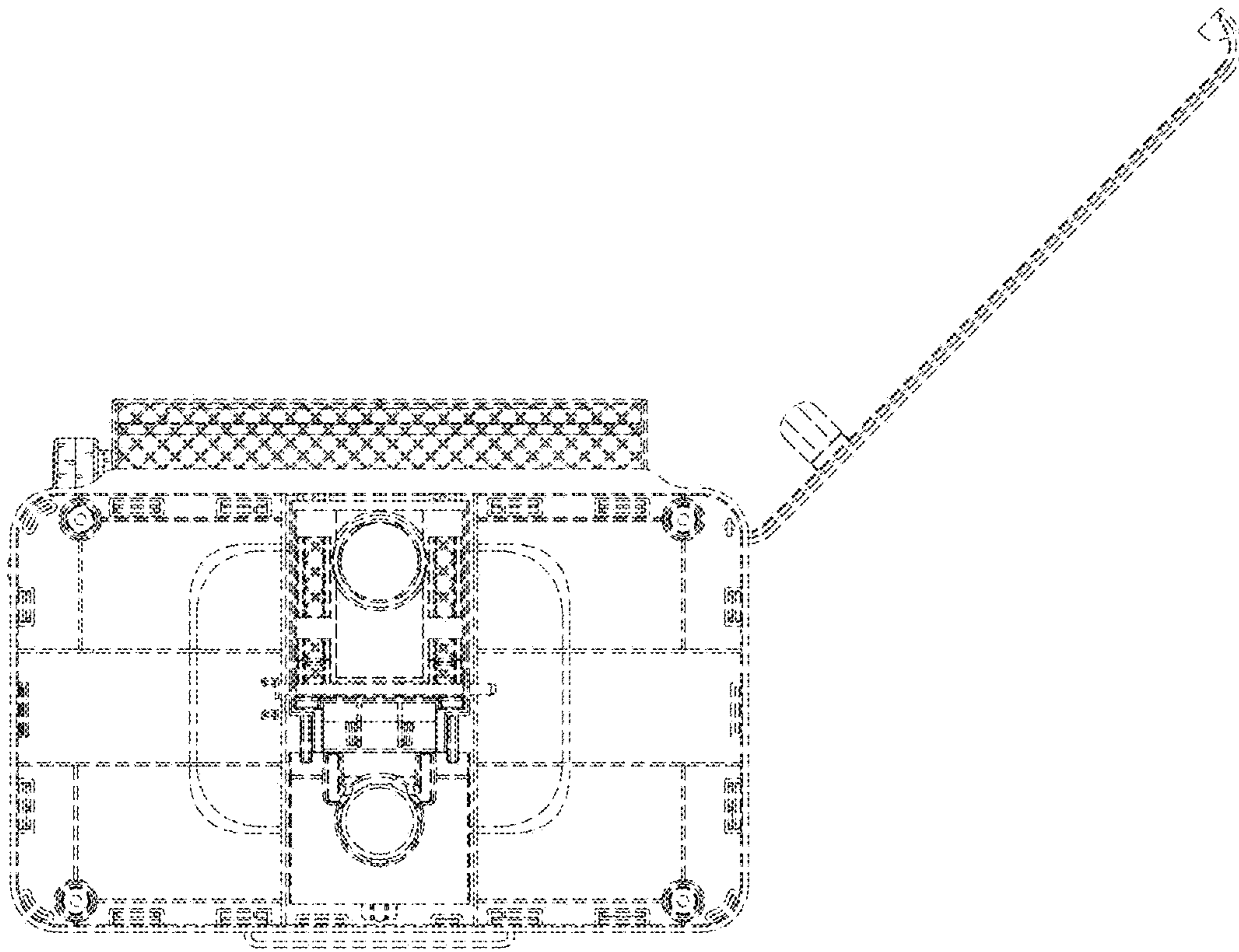




FIG. 8

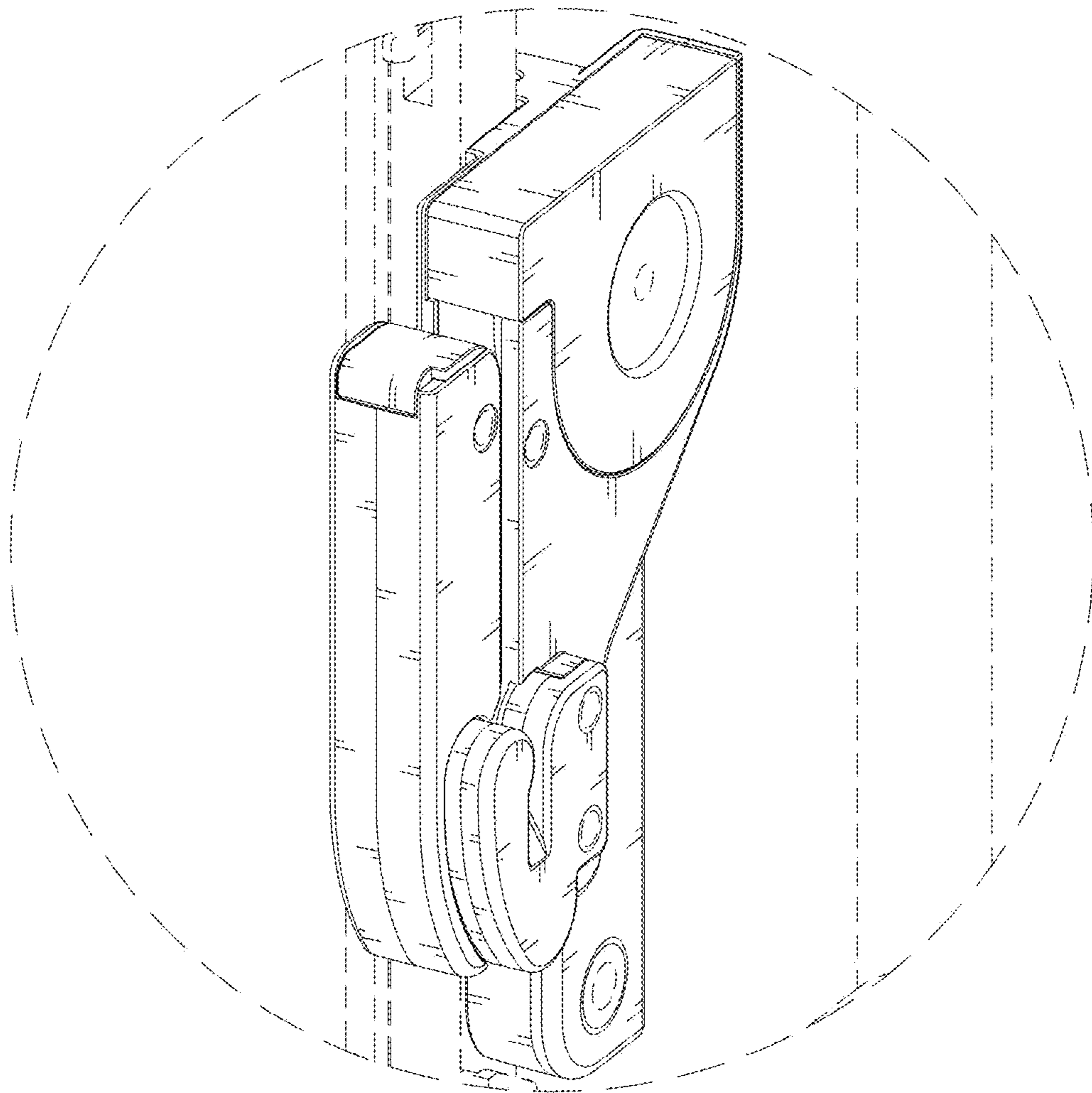


FIG. 9

