



US00D983474S

(12) **United States Design Patent**
Xiao

(10) **Patent No.:** **US D983,474 S**

(45) **Date of Patent:** **** Apr. 11, 2023**

(54) **BUCKET**

FOREIGN PATENT DOCUMENTS

(71) Applicant: **TAIZHOU SUKK TECHNOLOGY CO., LTD.**, Taizhou (CN)

CN 307553920 * 9/2022
CN 307636653 * 11/2022

(72) Inventor: **Shuangshuang Xiao**, Taizhou (CN)

OTHER PUBLICATIONS

(**) Term: **15 Years**

Navaris Small Bathroom Trash Can, available in Amazon.com, date first available Feb. 21, 2022 [online], [site visited Nov. 18, 2022], Available from the internet URL: https://www.amazon.ca/Navaris-Small-Bathroom-Trash-Can/dp/B09FFJ2FJ4/ref=sr_1_5 (Year: 2022).*

(21) Appl. No.: **29/849,056**

(22) Filed: **Aug. 8, 2022**

(51) **LOC (14) Cl.** **07-05**

Primary Examiner — Jennifer Rivard

(52) **U.S. Cl.**

Assistant Examiner — Jennylou M Binas

USPC **D32/53**

(58) **Field of Classification Search**

(57) **CLAIM**

USPC D32/1, 5, 6, 21, 53, 53.1, 54; D7/605, D7/629; D34/1, 7

The ornamental design for a bucket, as shown and described.

CPC A47J 47/02; A47L 9/1445; A47L 13/58; B65D 37/00

DESCRIPTION

See application file for complete search history.

FIG. 1 is a front, left, and top perspective view of a bucket, showing my new design;
FIG. 2 is a rear, left, and bottom elevation view thereof;
FIG. 3 is a front elevation view thereof;
FIG. 4 is a rear view thereof;
FIG. 5 is a left side elevation view thereof;
FIG. 6 is a right side elevation view thereof;
FIG. 7 is a top plan view thereof;
FIG. 8 is a bottom plan view thereof;
FIG. 9 is another front, left, and top perspective view of the bucket of FIG. 1 shown in a state of use; and,
FIG. 10 is an enlarged view of an encircled area labeled “10” in FIG. 1.

(56) **References Cited**

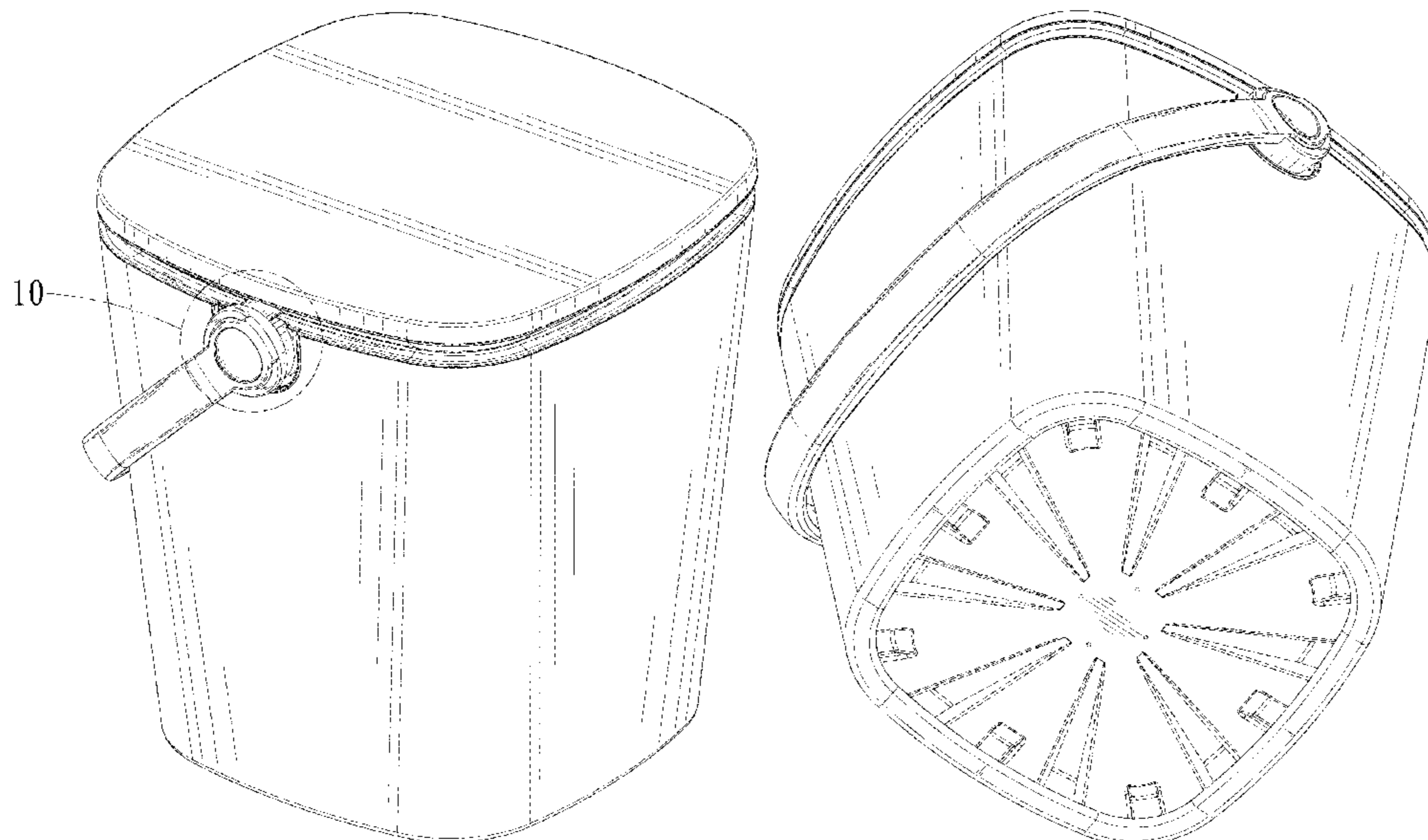
U.S. PATENT DOCUMENTS

D230,462 S *	2/1974	Renou	D32/53
D232,152 S *	7/1974	Roper et al.	D32/53
D233,218 S *	10/1974	Lynn	D32/53
D295,093 S *	4/1988	Tapdrup	D32/53
D593,269 S *	5/2009	Weiler	D32/53
D614,804 S	4/2010	Davis		
D683,510 S	5/2013	Schick		
8,978,194 B1 *	3/2015	Lentine	A47L 13/20 15/260
D743,137 S *	11/2015	Vasilakes	D32/53
D788,380 S *	5/2017	Krueger	D30/129
D804,125 S	11/2017	Rueckheim		
D814,244 S	4/2018	Hartley		
D815,897 S	4/2018	Felton		
D818,659 S	5/2018	Foss et al.		
D819,909 S	6/2018	Schneider		
D903,482 S *	12/2020	Drolet	D9/424
D920,021 S *	5/2021	Ben-Avi	D6/686

The broken lines shown in the drawings are included for the purpose of illustrating portions of the bucket that form no part of the claimed design.
Dot-dash broken lines in FIGS. 1 and 10 framing portions of the claimed design that are illustrated for enlargements form no part of the claimed design.

(Continued)

1 Claim, 10 Drawing Sheets



(56)

References Cited

U.S. PATENT DOCUMENTS

D922,618 S * 6/2021 Newson D26/6
11,096,547 B1 * 8/2021 Zhu A47L 13/58
2022/0125272 A1 * 4/2022 Vo A47L 13/58

* cited by examiner

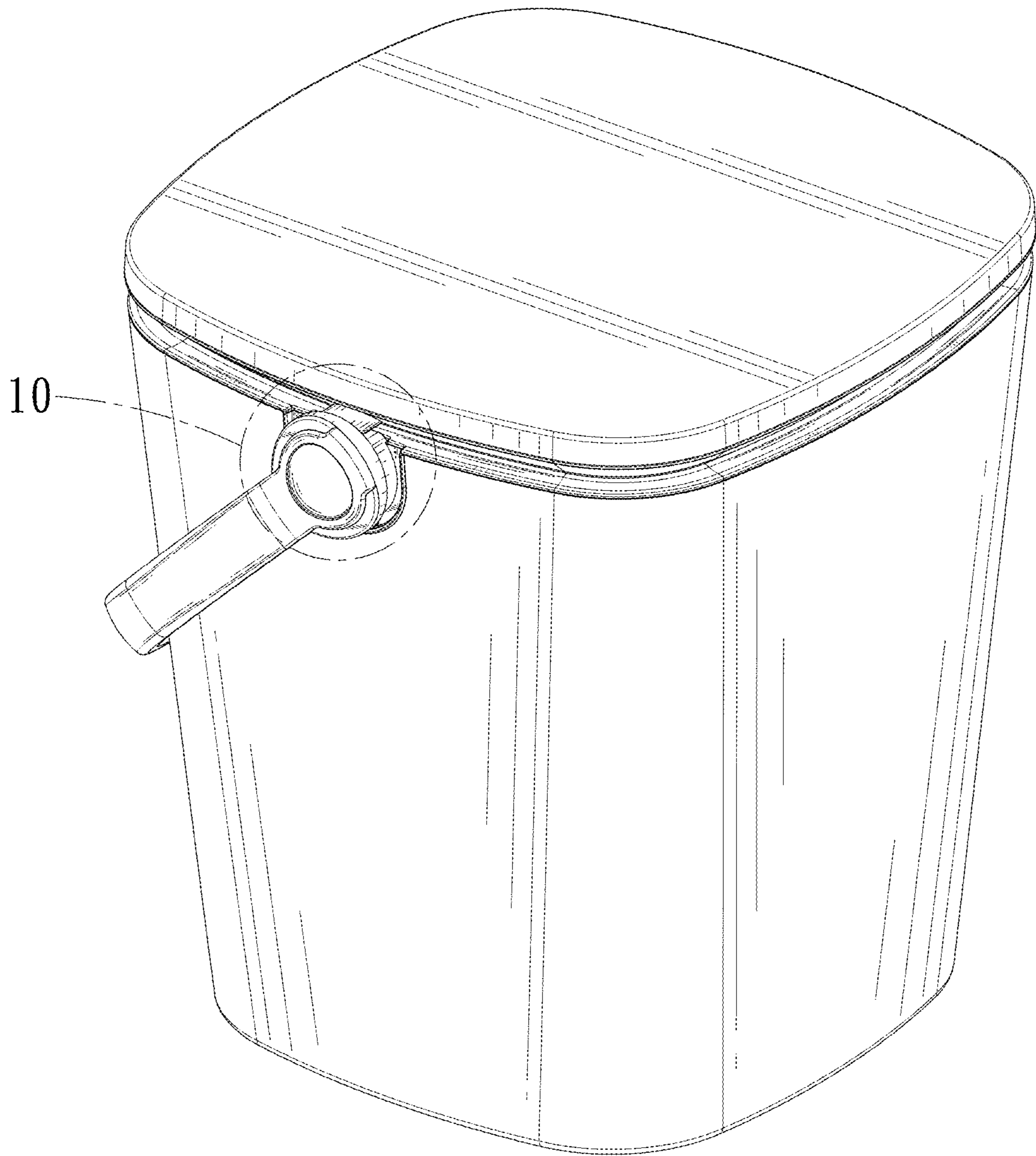


FIG. 1

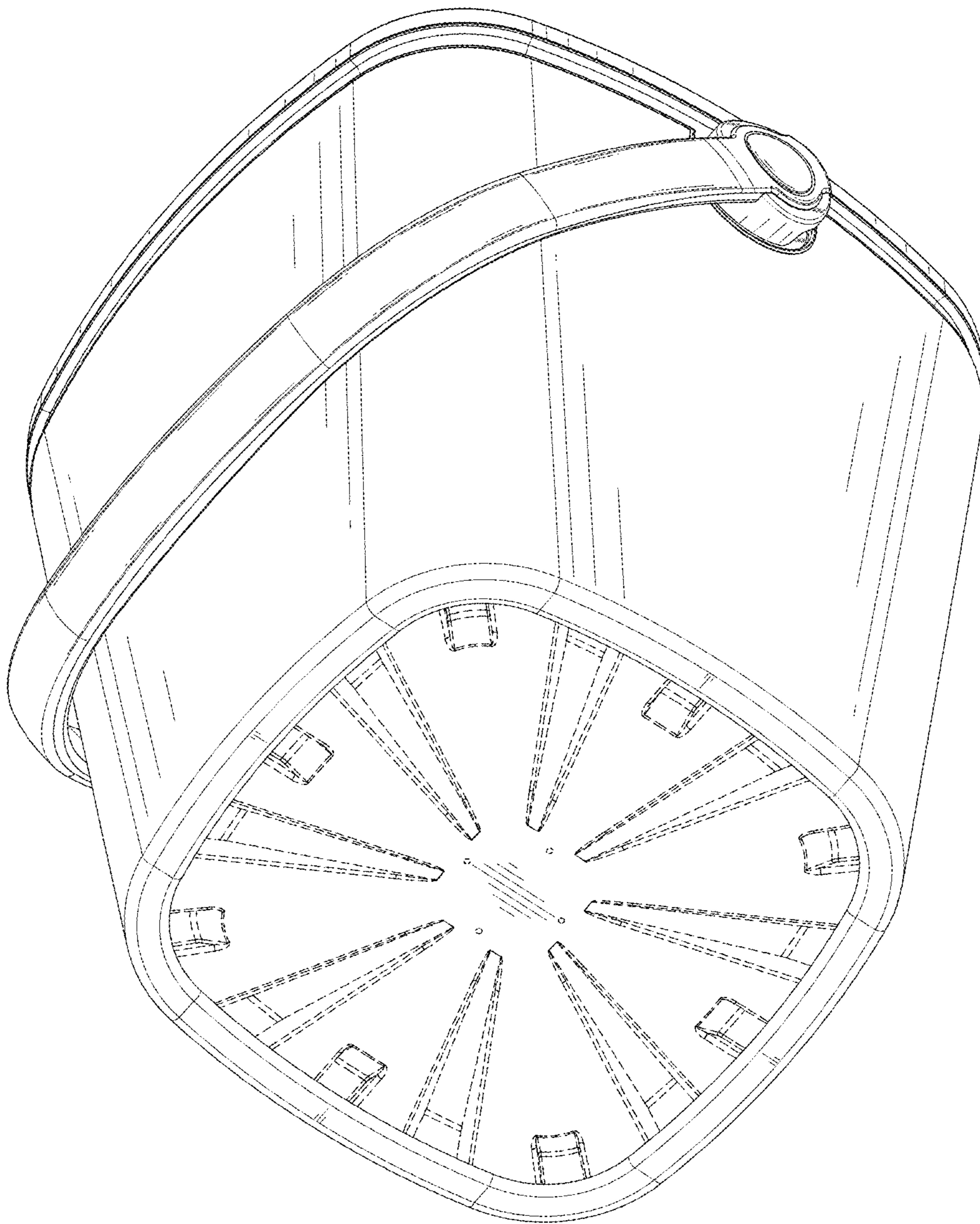


FIG. 2

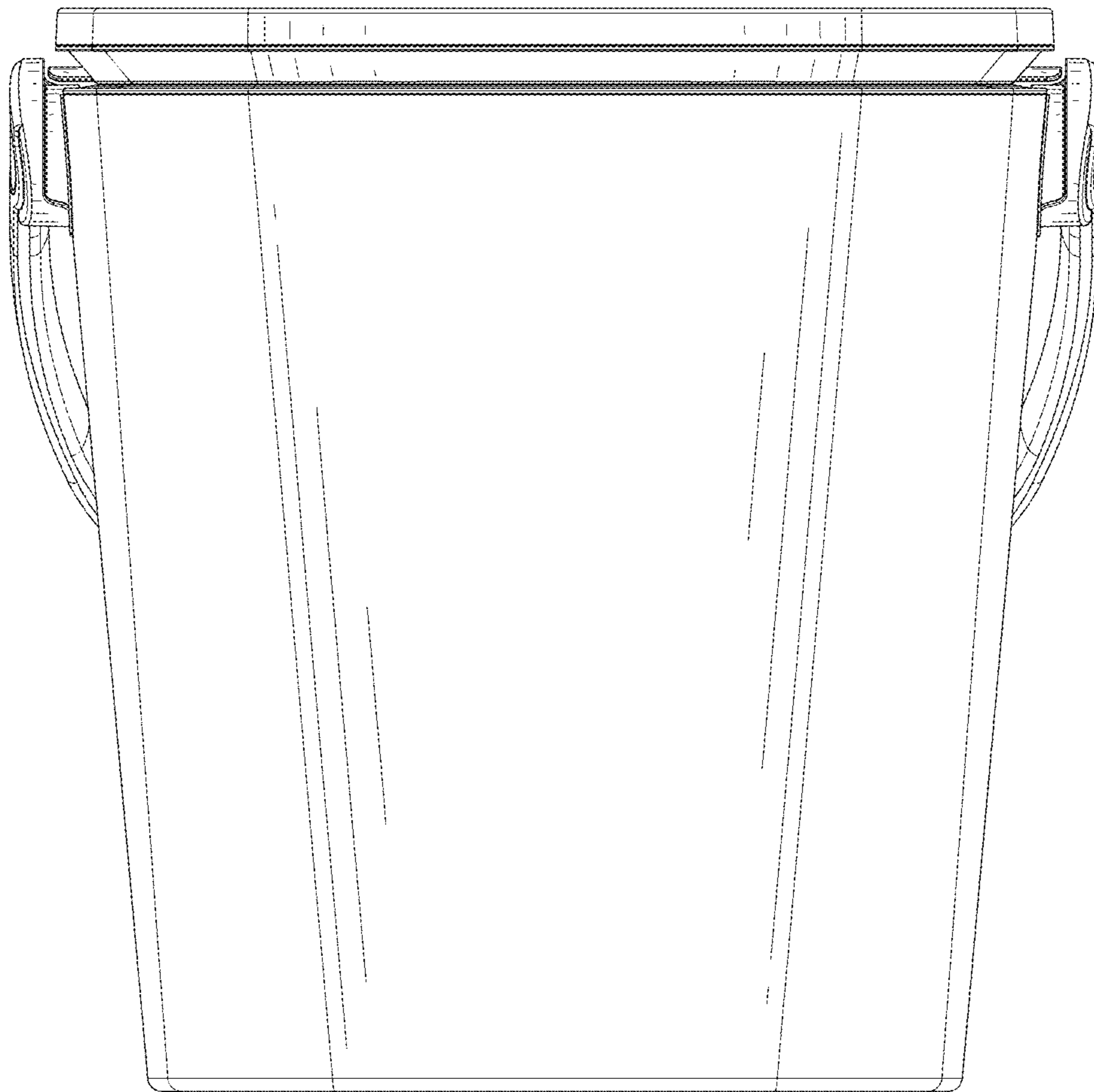


FIG. 3

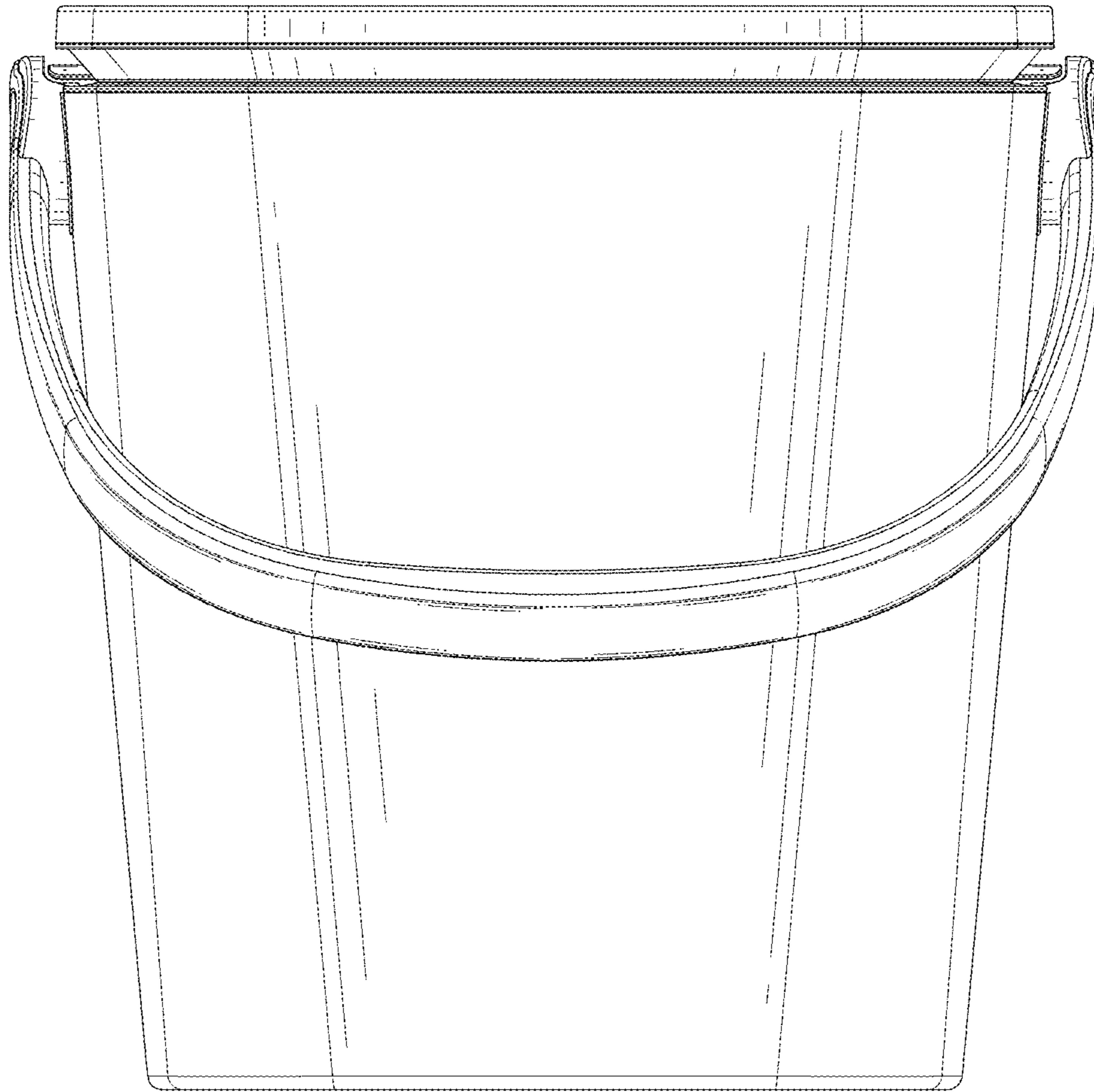


FIG. 4

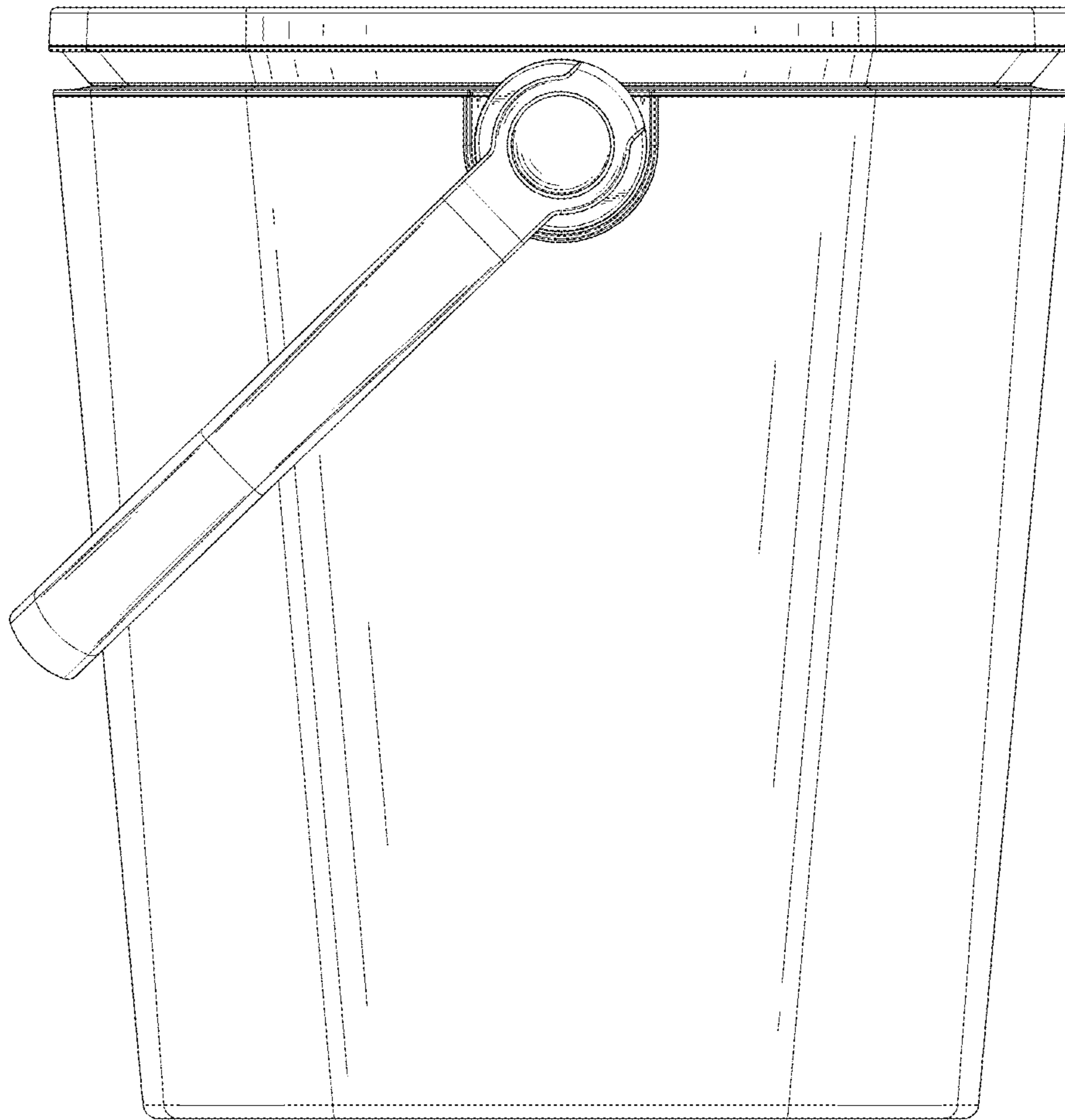


FIG. 5

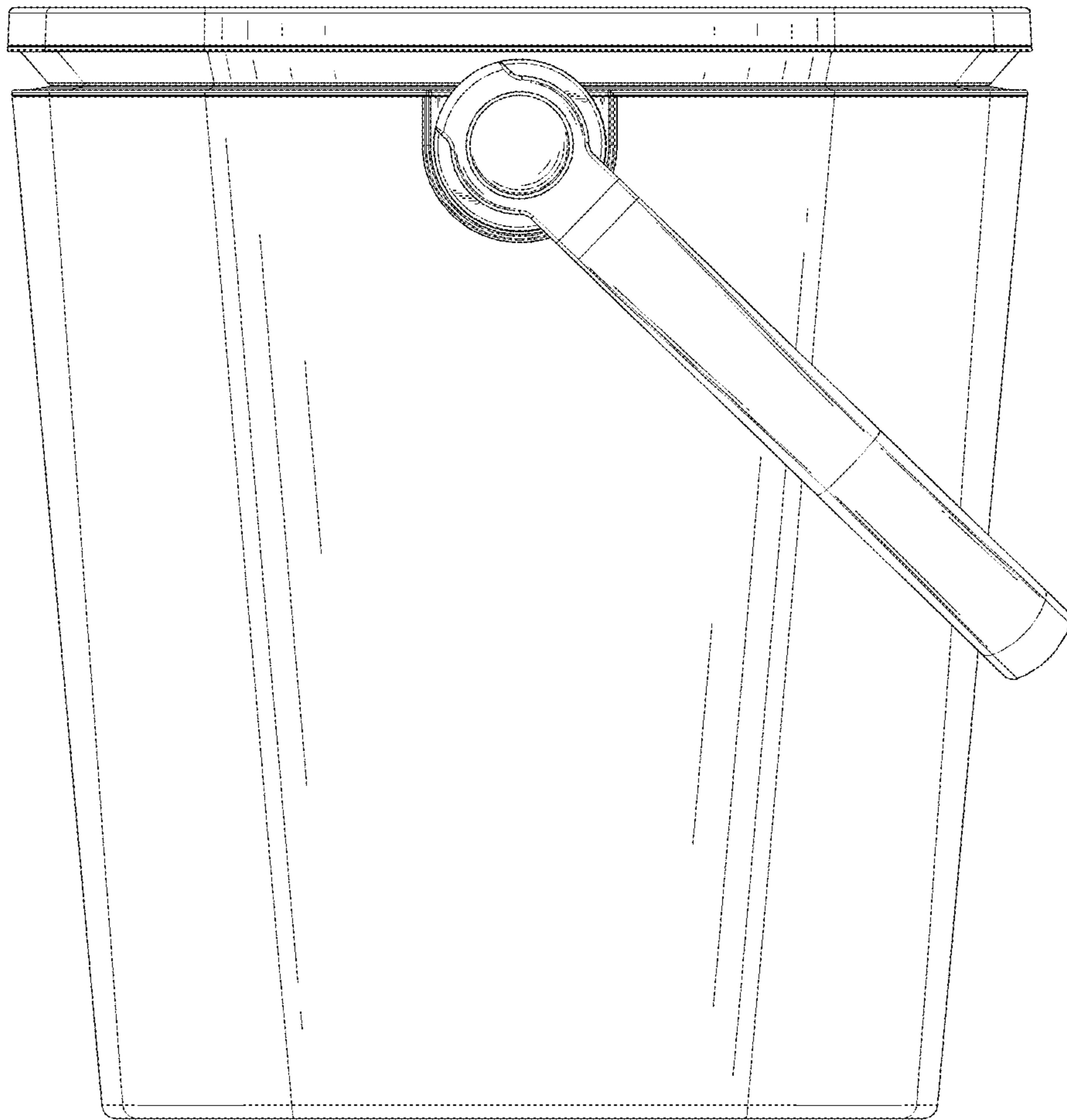


FIG. 6

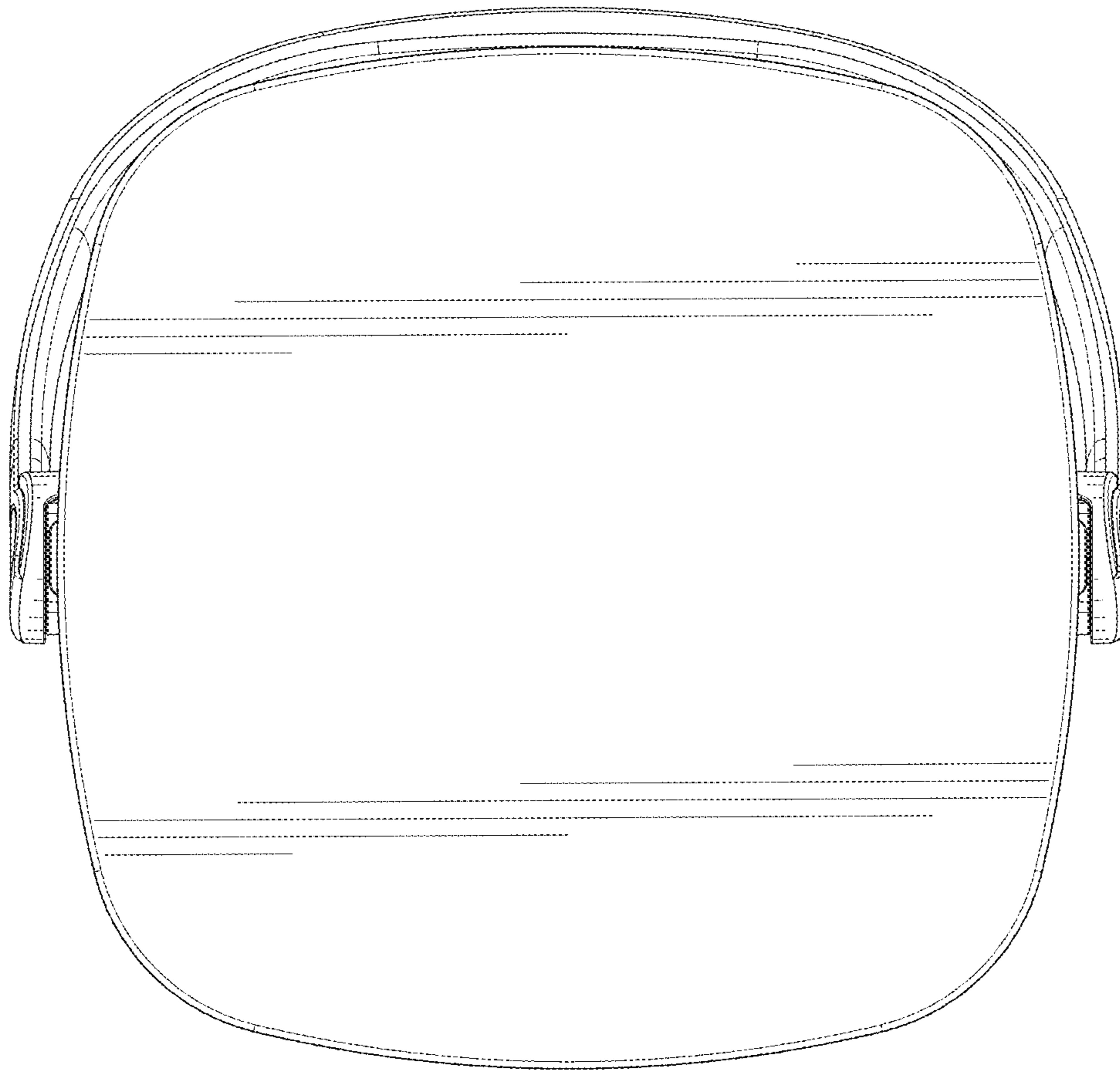


FIG. 7

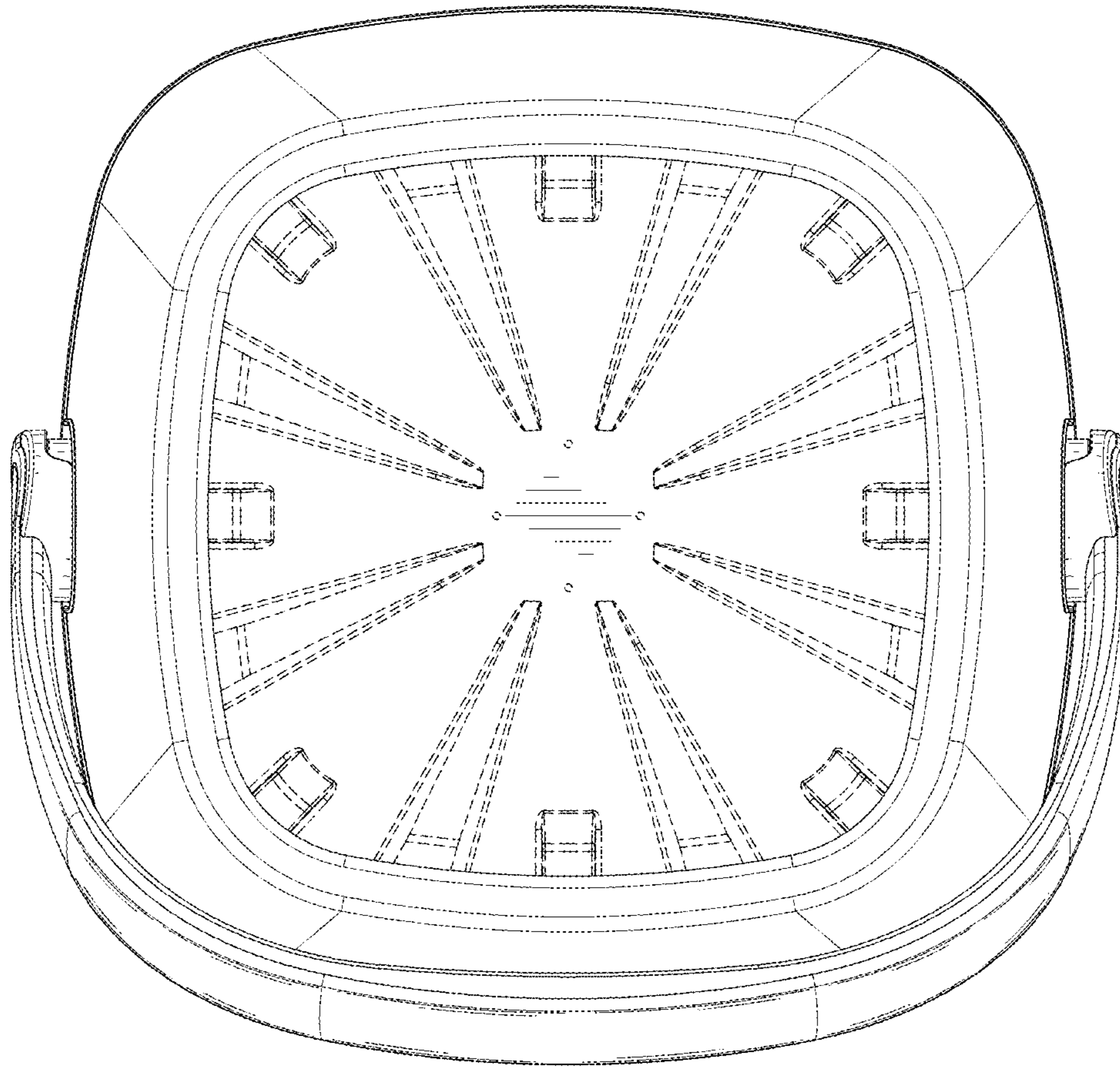


FIG. 8

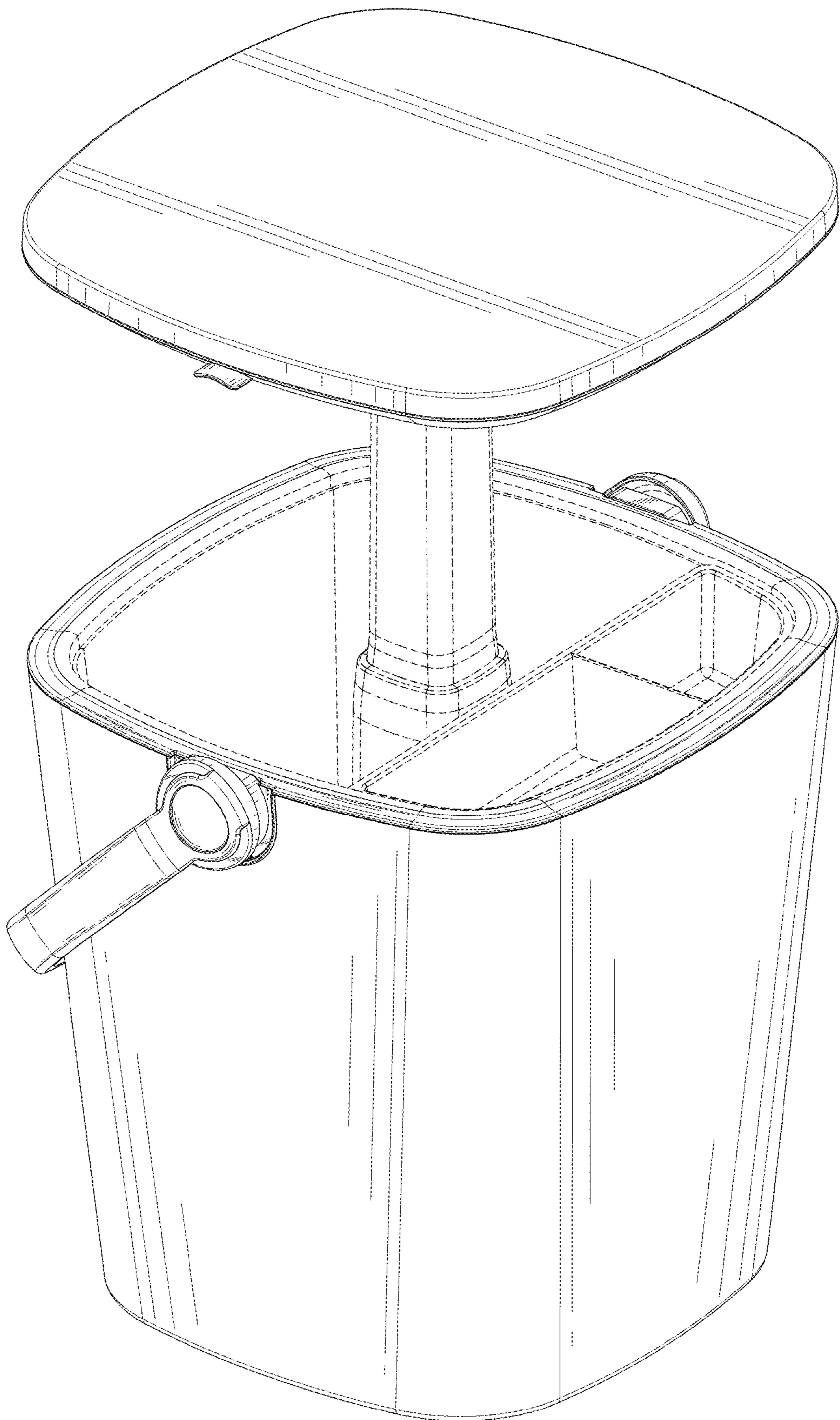


FIG. 9

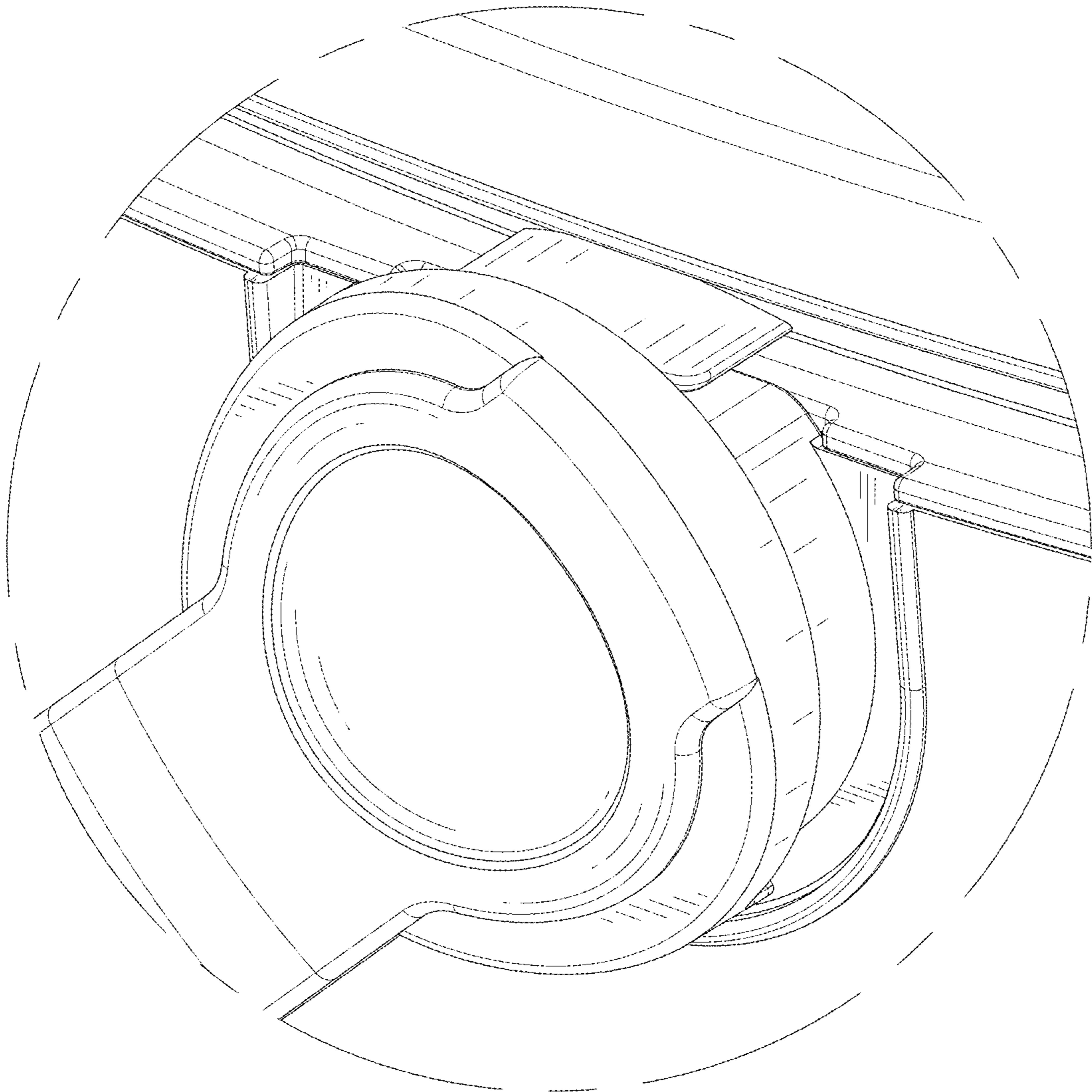


FIG. 10