



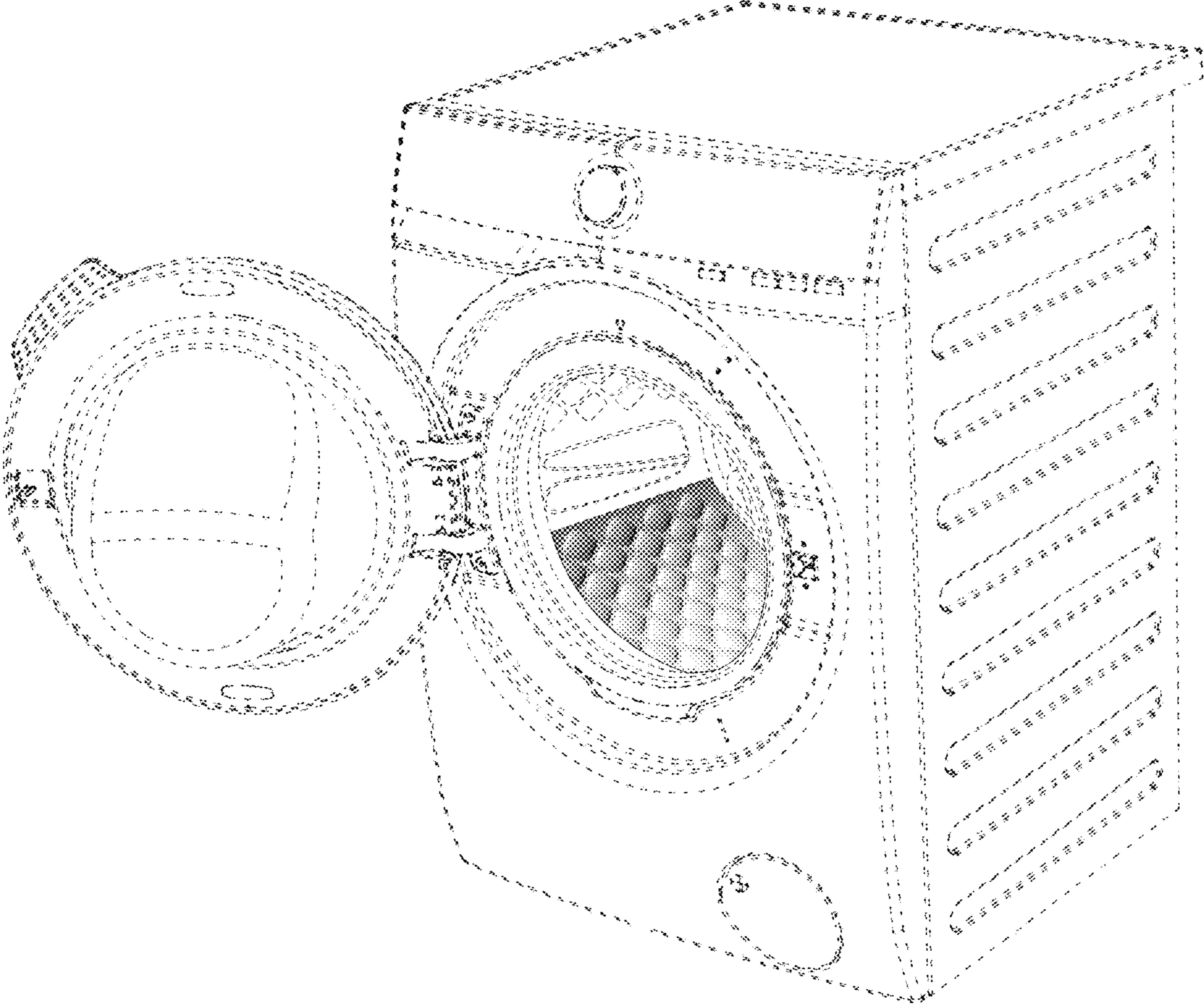
(56)

**References Cited**

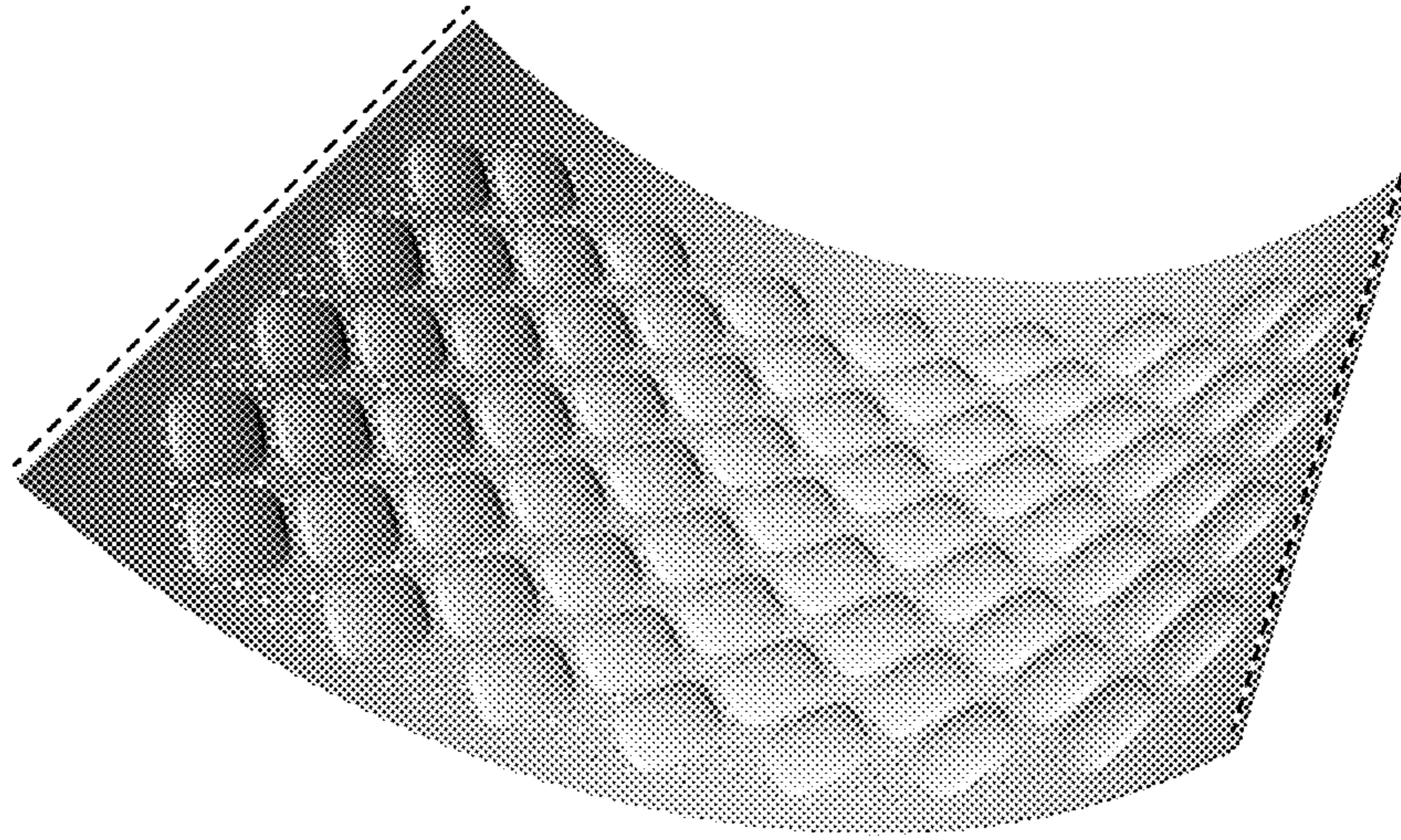
U.S. PATENT DOCUMENTS

D875,973 S \* 2/2020 Zhou ..... D26/25  
D878,690 S \* 3/2020 Fitzgerald ..... D32/29  
2011/0154580 A1\* 6/2011 Kim ..... D06F 35/005  
68/200  
2020/0332448 A1\* 10/2020 Hahn ..... D06F 58/22  
2020/0407905 A1\* 12/2020 Kim ..... D06F 37/30

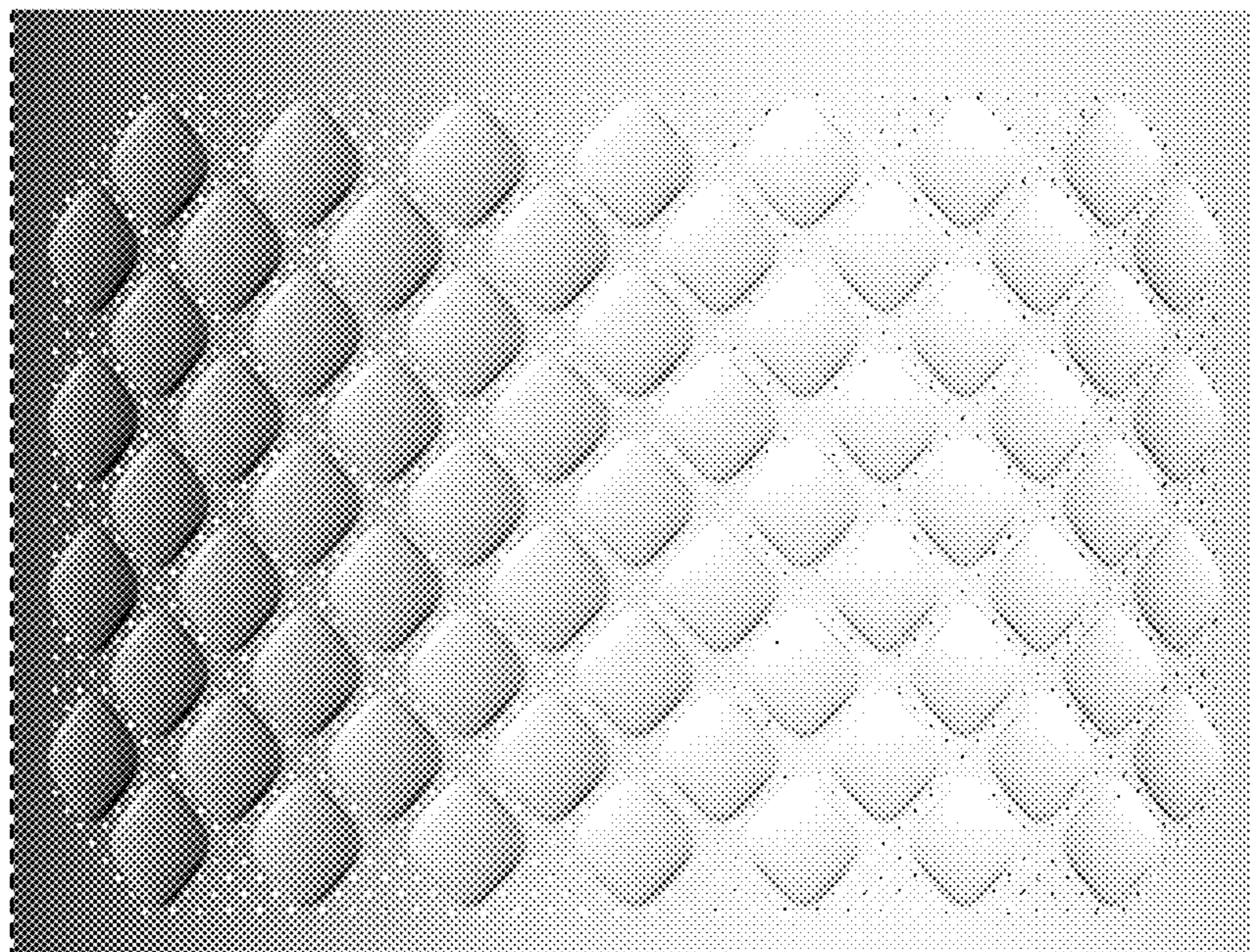
\* cited by examiner



**FIG. 1**



**FIG. 2**



**FIG. 3**