



US00D983472S

(12) **United States Design Patent**
Wang

(10) **Patent No.:** **US D983,472 S**
(45) **Date of Patent:** **** Apr. 11, 2023**

(54) **FLOOR WASHING MACHINE**

- (71) Applicant: **WANKE TECHNOLOGY (SHENZHEN) CO., LTD.**, Guangdong (CN)
- (72) Inventor: **Xiaodong Wang**, Guangdong (CN)
- (73) Assignee: **WANKE TECHNOLOGY (SHENZHEN) CO., LTD.**, Shenzhen (CN)

(**) Term: **15 Years**

(21) Appl. No.: **29/815,187**

(22) Filed: **Nov. 11, 2021**

(30) **Foreign Application Priority Data**

May 13, 2021 (CN) 202130285777.8

(51) **LOC (14) Cl.** **15-05**

(52) **U.S. Cl.**
USPC **D32/22**

(58) **Field of Classification Search**
USPC D32/15, 17–24, 45, 50–52
CPC . A47L 5/24; A47L 5/28; A47L 9/0411; A47L 9/0477; A47L 9/1625
See application file for complete search history.

(56) **References Cited**

U.S. PATENT DOCUMENTS

D455,876 S *	4/2002	Arney	D32/22
D531,770 S *	11/2006	Luebbering	D32/22
D612,114 S *	3/2010	Ikeno	D32/22
9,402,516 B2 *	8/2016	Pilch	A47L 9/325
D915,013 S *	3/2021	Mäkitalo	D32/22
D945,097 S *	3/2022	Mäkitalo	D32/22
D970,833 S *	11/2022	Ying	D32/22
2021/0235947 A1 *	8/2021	Ni	A47L 9/1409

OTHER PUBLICATIONS

Cordless Vacuum Cleaner and Robot Vacuum (on-line), dated Jan. 27, 2022. Retrieved from Internet Jan. 25, 2023, URL: <https://web.archive.org/web/20220127052218/https://global.dreametech.com/collections/cordless-vacuum-cleaner> (2 pages) (Year: 2022).*

Roborock US Official Site (on-line), no date available. Retrieved from Internet Jan. 25, 2023, URL: <https://us.roborock.com> (1 page).*

Viomi Cordless Vacuum (on-line), no date available. Retrieved from Internet Jan. 25, 2023, URL: <https://www.viomi.com/cordless-vacuum-cleaners> (2 pages).*

* cited by examiner

Primary Examiner — Kimberly Barnes

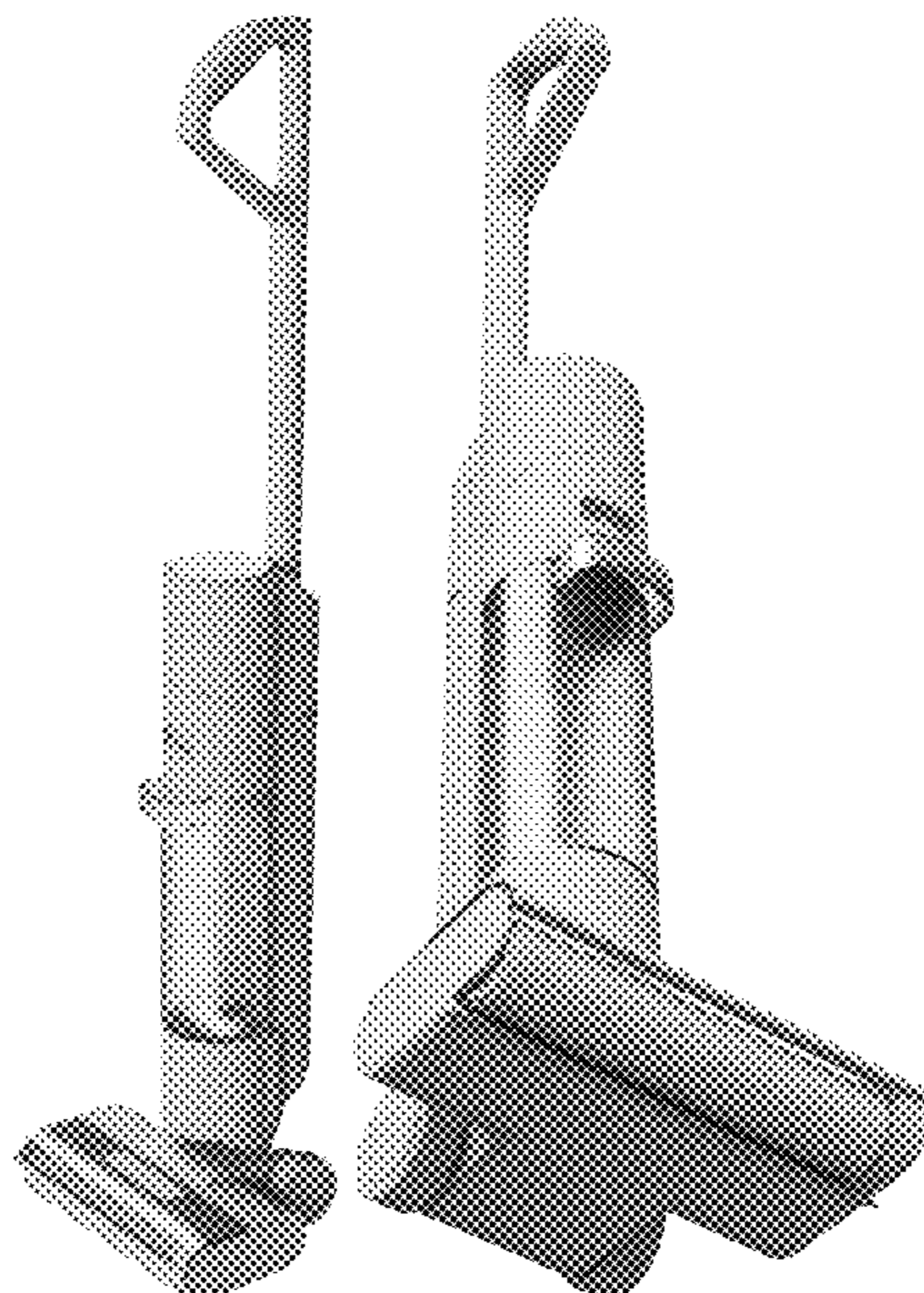
(57) **CLAIM**

The ornamental design for a floor washing machine, as shown and described.

DESCRIPTION

FIG. 1 is a front elevational view of a floor washing machine showing my new design;
 FIG. 2 is a rear elevational view thereof;
 FIG. 3 is a left side view thereof;
 FIG. 4 is a right side view thereof;
 FIG. 5 is a top plan view thereof;
 FIG. 6 is a bottom plan view thereof;
 FIG. 7 is a front, top and right side perspective view thereof;
 FIG. 8 is a rear, top and right side perspective view thereof;
 FIG. 9 is a front, top and left side perspective view thereof;
 FIG. 10 is a rear and left side perspective view thereof;
 FIG. 11 is a front, bottom and left side perspective view thereof; and,
 FIG. 12 is another front, top and right side perspective view thereof.

1 Claim, 12 Drawing Sheets



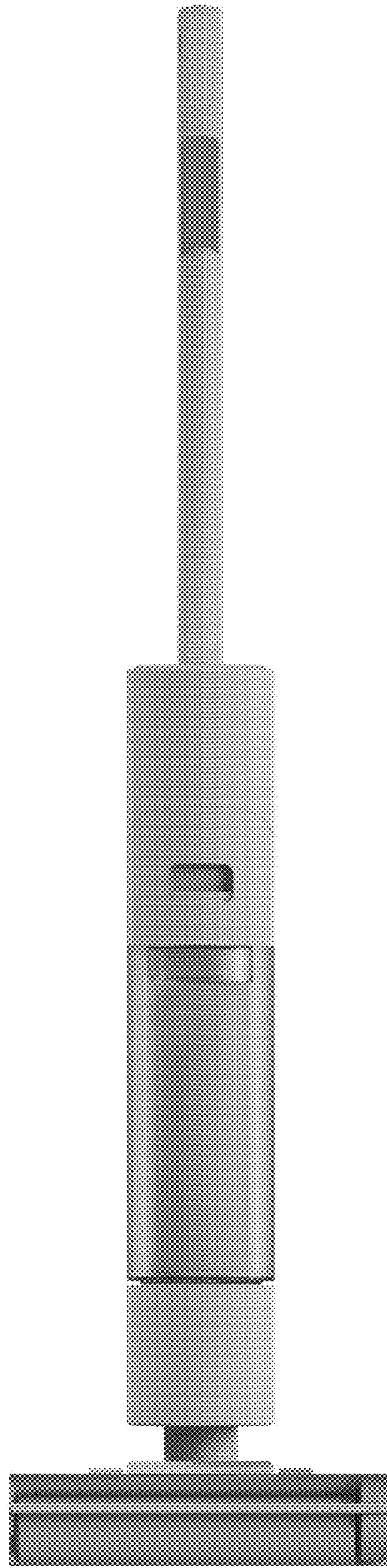


FIG. 1

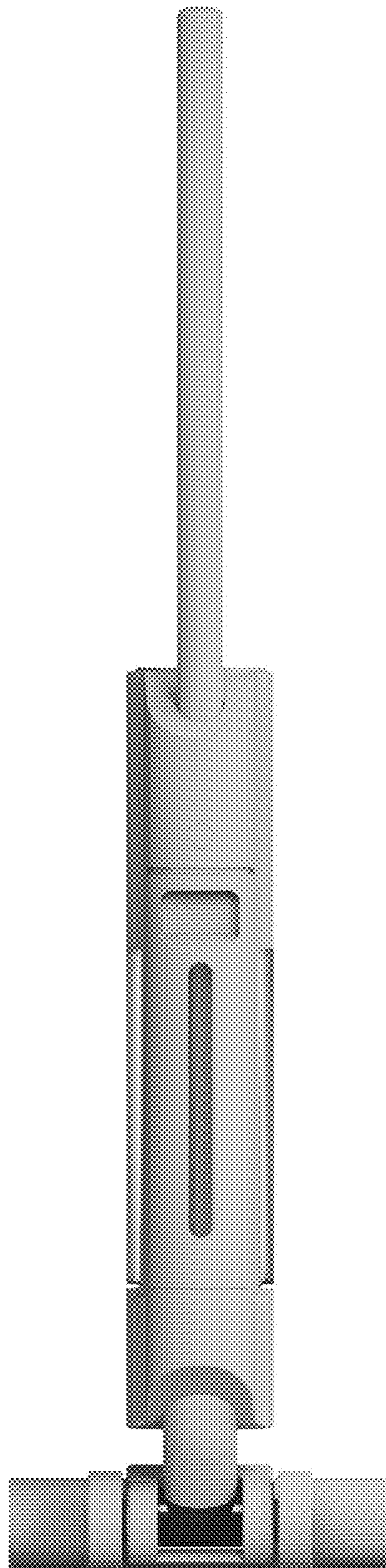


FIG. 2

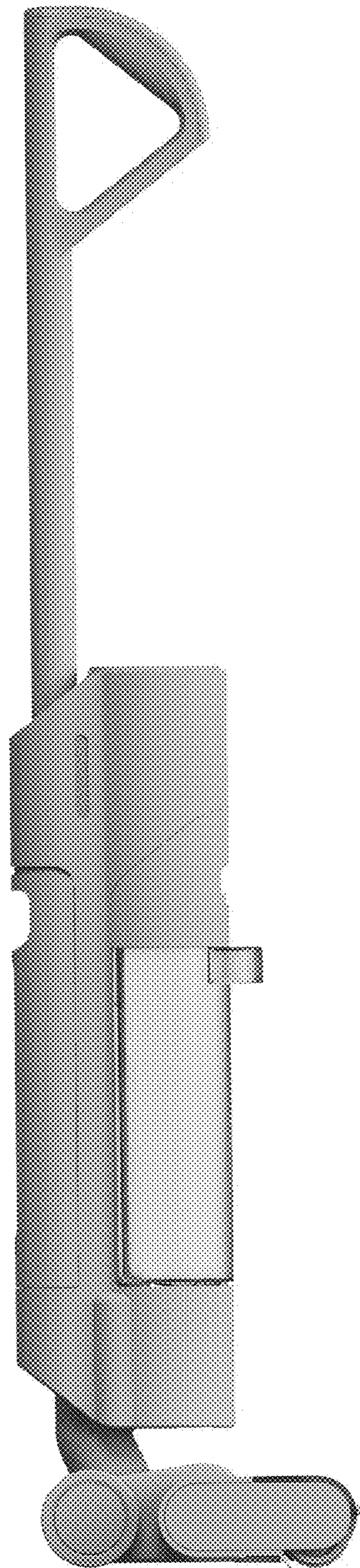


FIG. 3

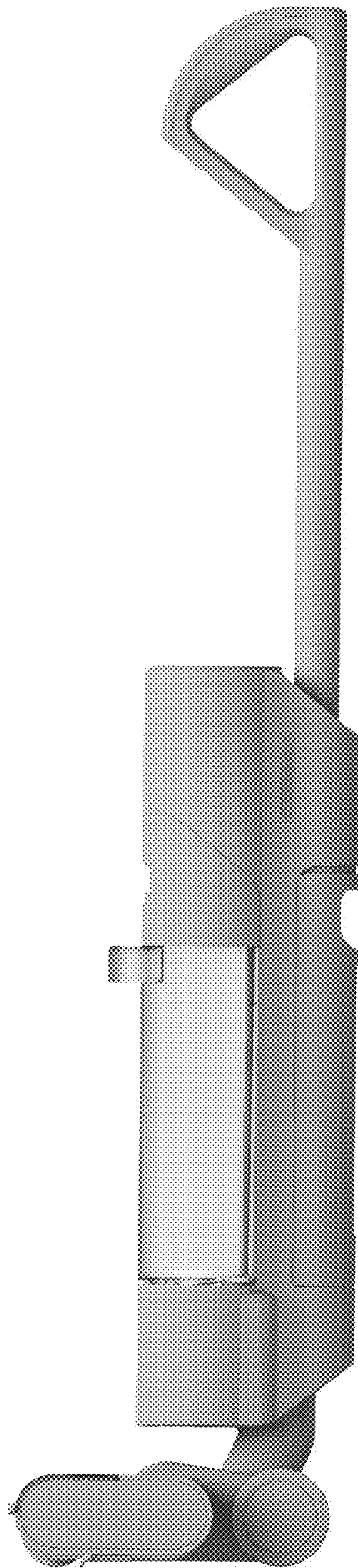


FIG. 4

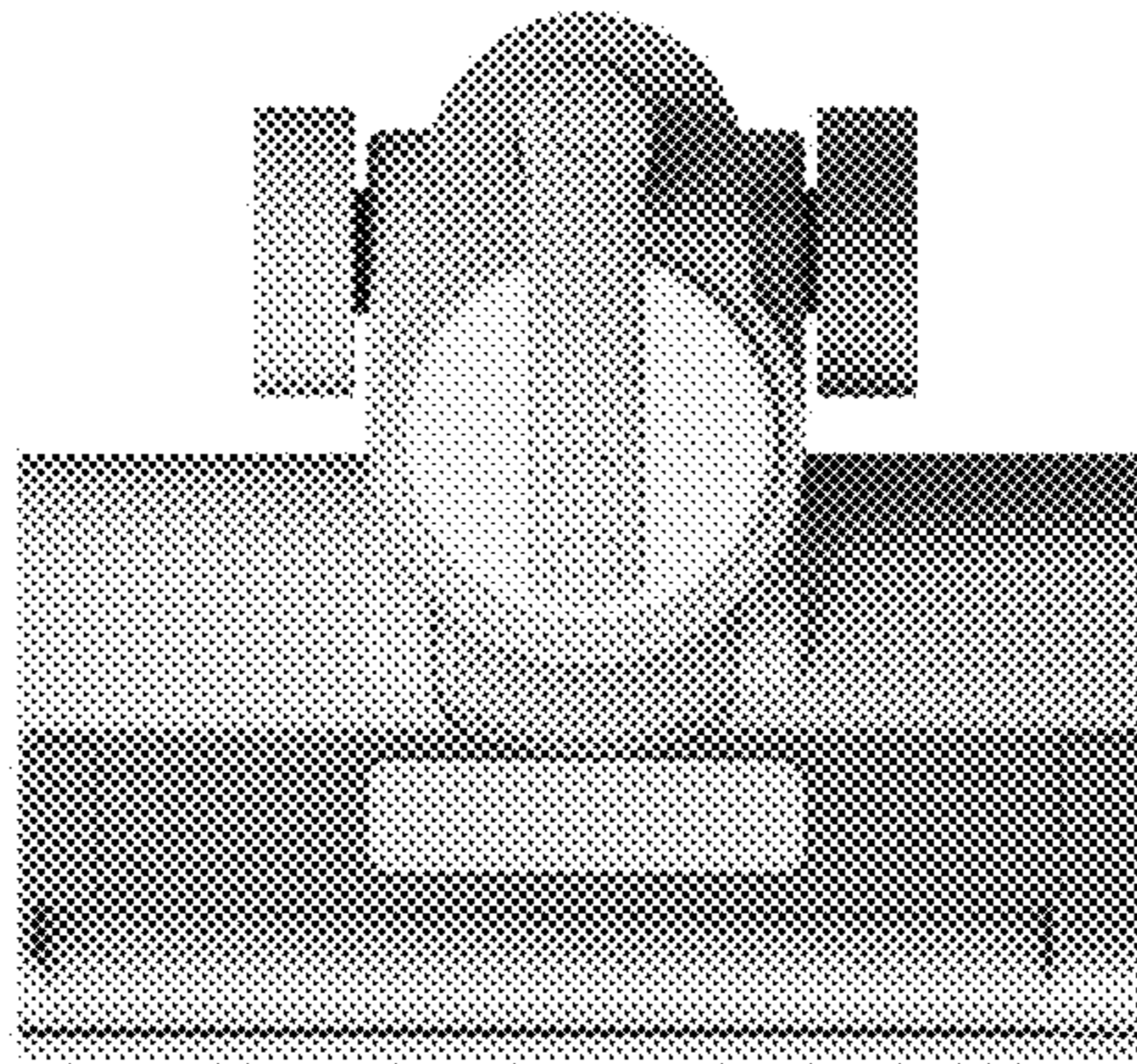


FIG. 5

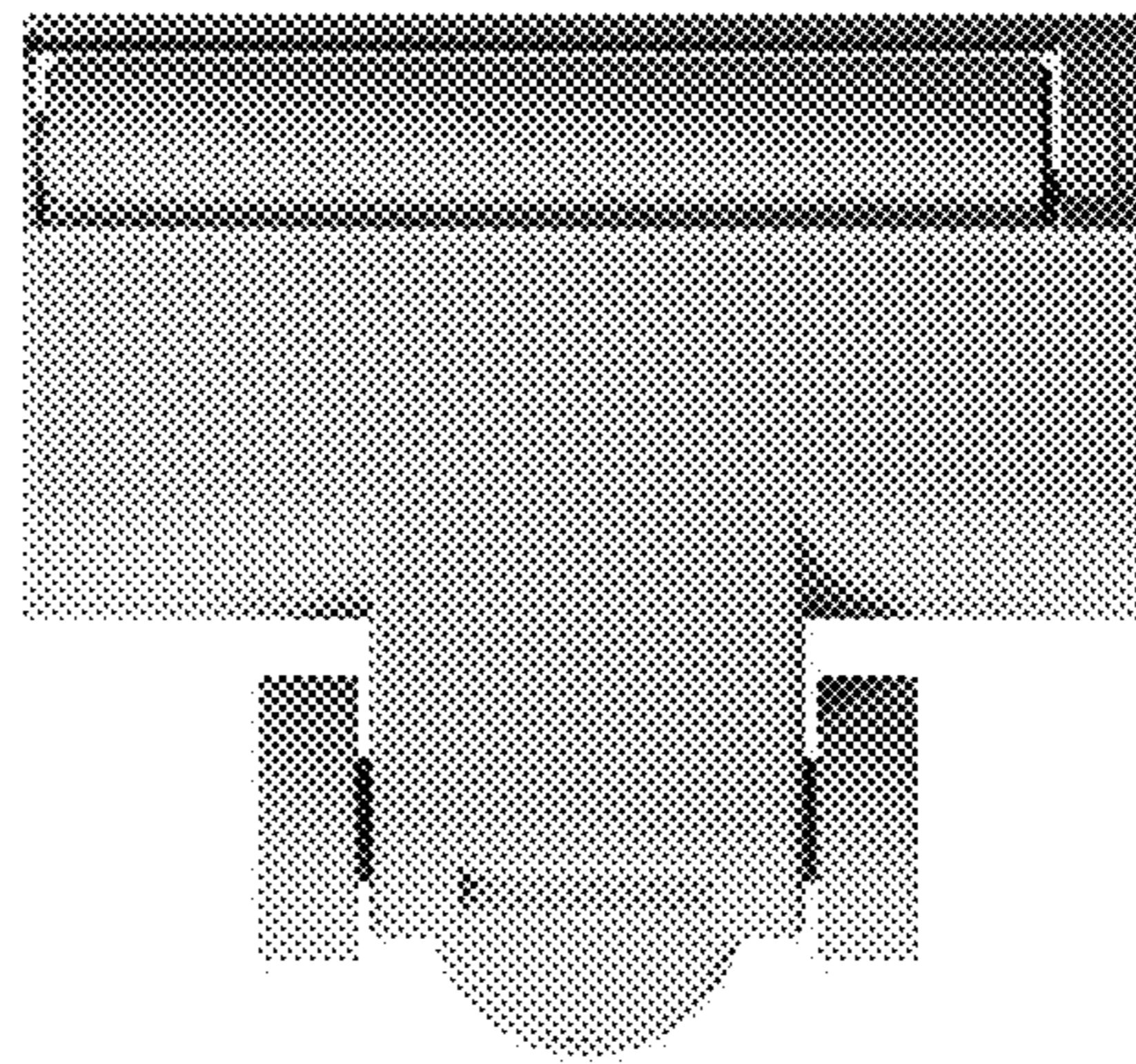


FIG. 6

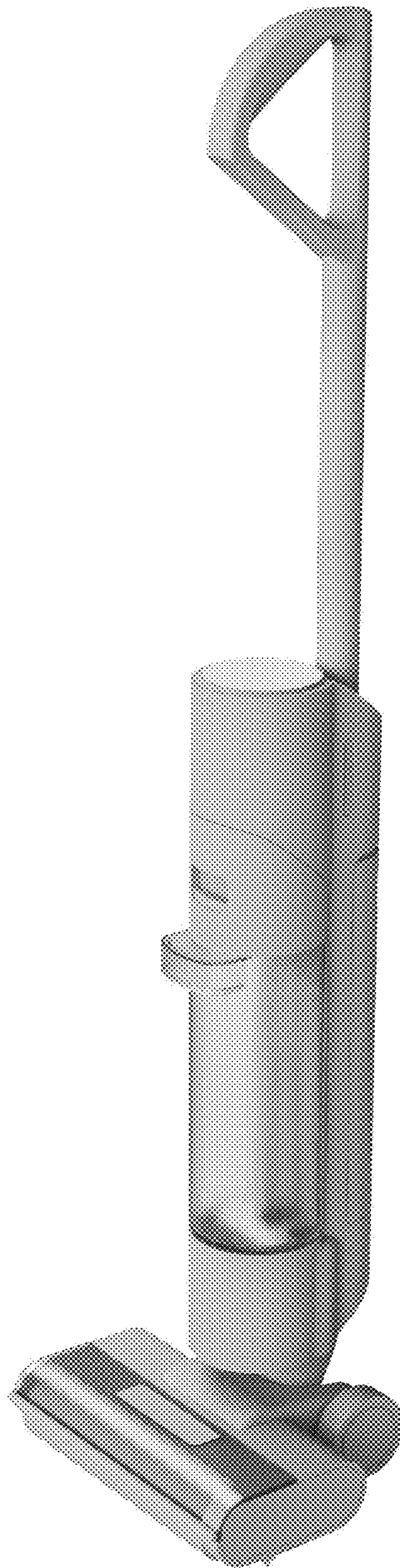


FIG. 7

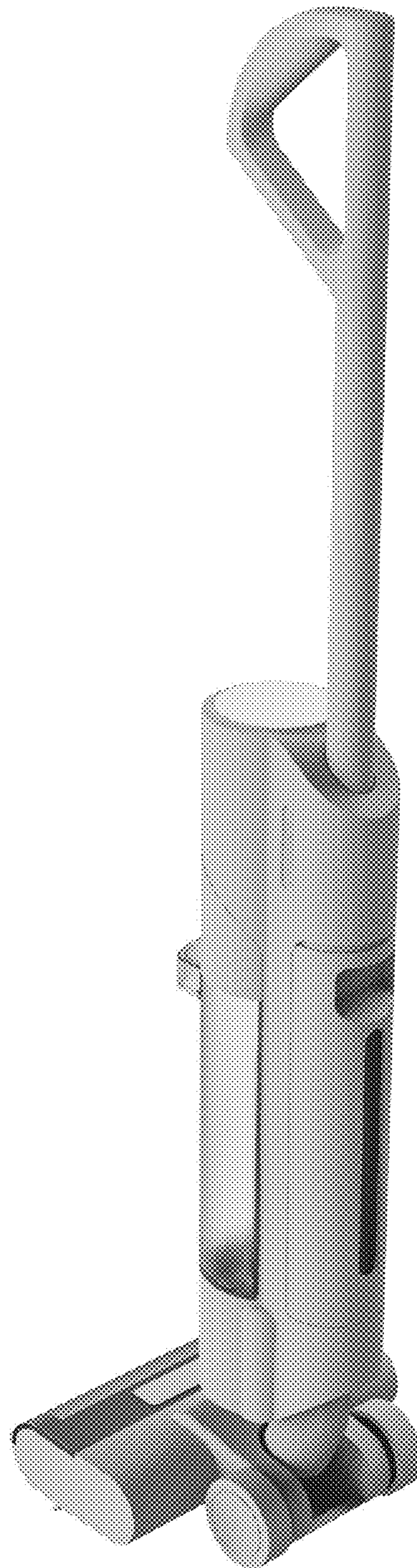


FIG. 8

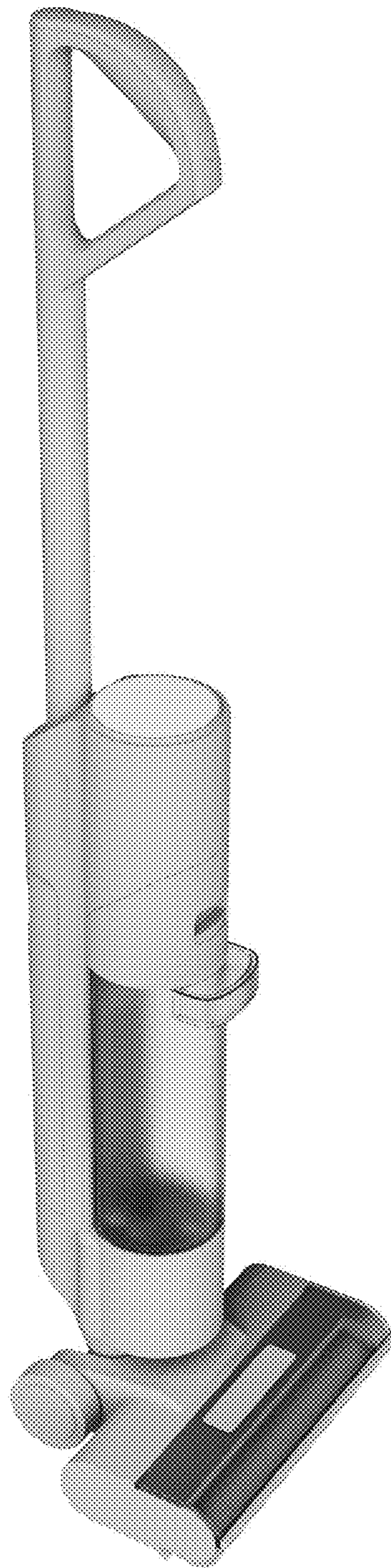


FIG. 9

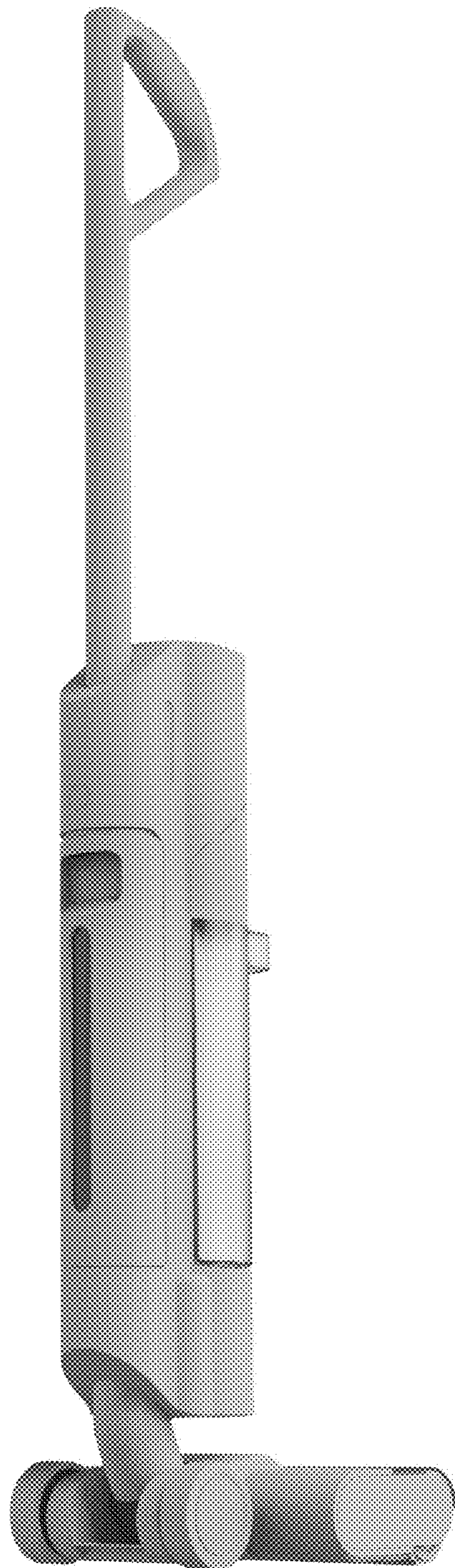


FIG. 10

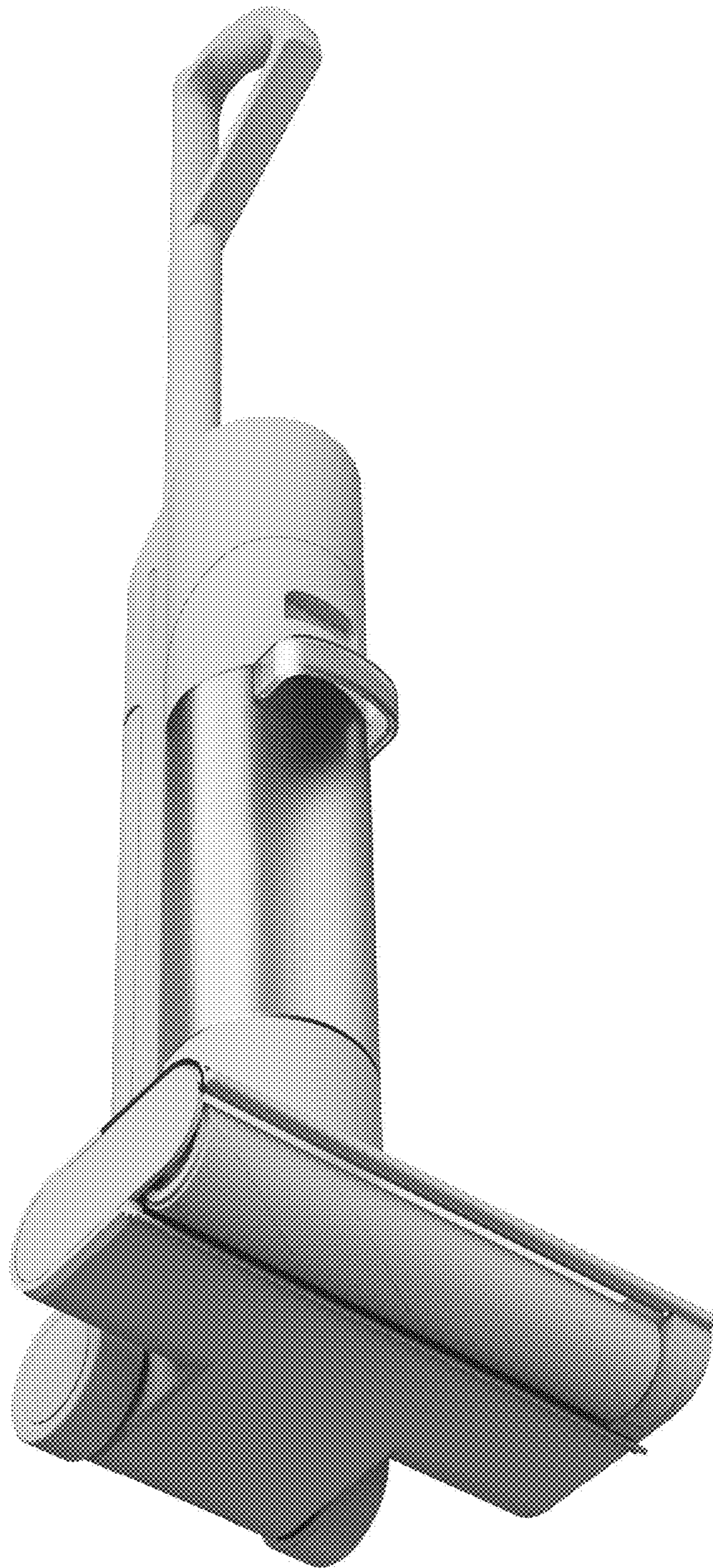


FIG. 11

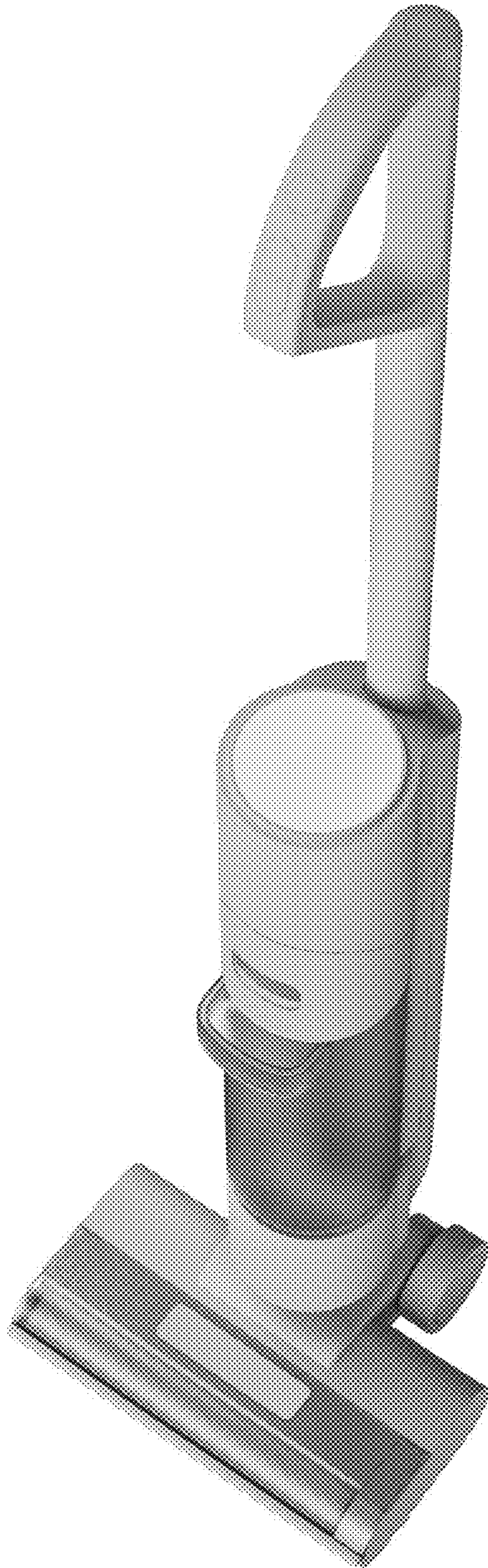


FIG. 12