



US00D983471S

(12) **United States Design Patent** (10) **Patent No.:** **US D983,471 S**  
**Liao** (45) **Date of Patent:** **\*\* Apr. 11, 2023**

(54) **BLOWER**

(71) Applicant: **Shenghui Liao**, Shenzhen (CN)

(72) Inventor: **Shenghui Liao**, Shenzhen (CN)

(\*\*) Term: **15 Years**

(21) Appl. No.: **29/865,034**

(22) Filed: **Jul. 2, 2022**

(51) **LOC (14) Cl.** ..... **15-05**

(52) **U.S. Cl.**  
USPC ..... **D32/15**

(58) **Field of Classification Search**  
USPC ..... D15/12; D32/15-18  
CPC ..... F04D 29/545; F04D 29/522; A47L 5/14  
See application file for complete search history.

(56) **References Cited**

U.S. PATENT DOCUMENTS

D386,841 S *	11/1997	DeMore	D32/15
D388,561 S *	12/1997	Tuggle	D32/15
D497,692 S *	10/2004	Nawrozki	D32/15
D498,885 S *	11/2004	Robson	D32/18
D569,055 S *	5/2008	Bochmann	D32/18
D741,917 S	10/2015	Tinius	
D748,876 S *	2/2016	Carl	D15/12
D748,877 S *	2/2016	Tirone	D15/12
D798,513 S *	9/2017	Tinius	D32/15
D800,400 S *	10/2017	Tinius	D32/16
D809,227 S *	1/2018	Tinius	D15/12
D829,392 S	9/2018	Lane	
D834,270 S *	11/2018	Näslund	D15/12
D834,271 S	11/2018	Näslund	
D836,861 S	12/2018	Tse	
D854,265 S *	7/2019	Wachter	D15/12
D868,398 S *	11/2019	Tinius	D15/12
D872,951 S *	1/2020	Mehra	D15/12
D882,191 S *	4/2020	Baxter	D15/12
D926,397 S *	7/2021	Dretzka	D15/12
11,067,087 B2 *	7/2021	Tirone	F04D 29/522

D942,718 S *	2/2022	Wang	D32/15
2005/0133354 A1 *	6/2005	Watanabe	A47L 5/14
			200/334
2022/0201946 A1 *	6/2022	Cholst	F04D 29/545

FOREIGN PATENT DOCUMENTS

CN	301062144	*	11/2009
CN	202130325678.8		8/2021

OTHER PUBLICATIONS

amazon.com cordless leaf blower [https://www.amazon.com/Cordless-Leaf-Blower-Battery-Operated/dp/B09FG9ZDB2/ref=sr\\_1\\_9?crd=26MSDQAJ1UR4J&keywords=hand+held+blower&qid=1668444170&sprefix=hand+held+blower%2Caps%2C597&sr=8-9](https://www.amazon.com/Cordless-Leaf-Blower-Battery-Operated/dp/B09FG9ZDB2/ref=sr_1_9?crd=26MSDQAJ1UR4J&keywords=hand+held+blower&qid=1668444170&sprefix=hand+held+blower%2Caps%2C597&sr=8-9) (Year: 2021).\*  
<https://www.amazon.com/Makita-XBU03SM1-Lithium-Ion-Brushless-Cordless/dp/B07YYFNF1V>, from Amazon.com, printed on Jun. 29, 2022.

<https://www.amazon.com/BLACK-DECKER-Electric-Blower-LB700/dp/B01HIGWCQI>, from Amazon.com, printed on Jun. 29, 2022.

(Continued)

*Primary Examiner* — Kevin K Rudzinski

*Assistant Examiner* — Richard E Yenchesky

(74) *Attorney, Agent, or Firm* — Vladimir Postnikov

(57) **CLAIM**

The ornamental design for a blower, as shown and described.

**DESCRIPTION**

FIG. 1 is a front elevation view of a blower showing the new design;

FIG. 2 is a back elevation view thereof;

FIG. 3 is a left-side view thereof;

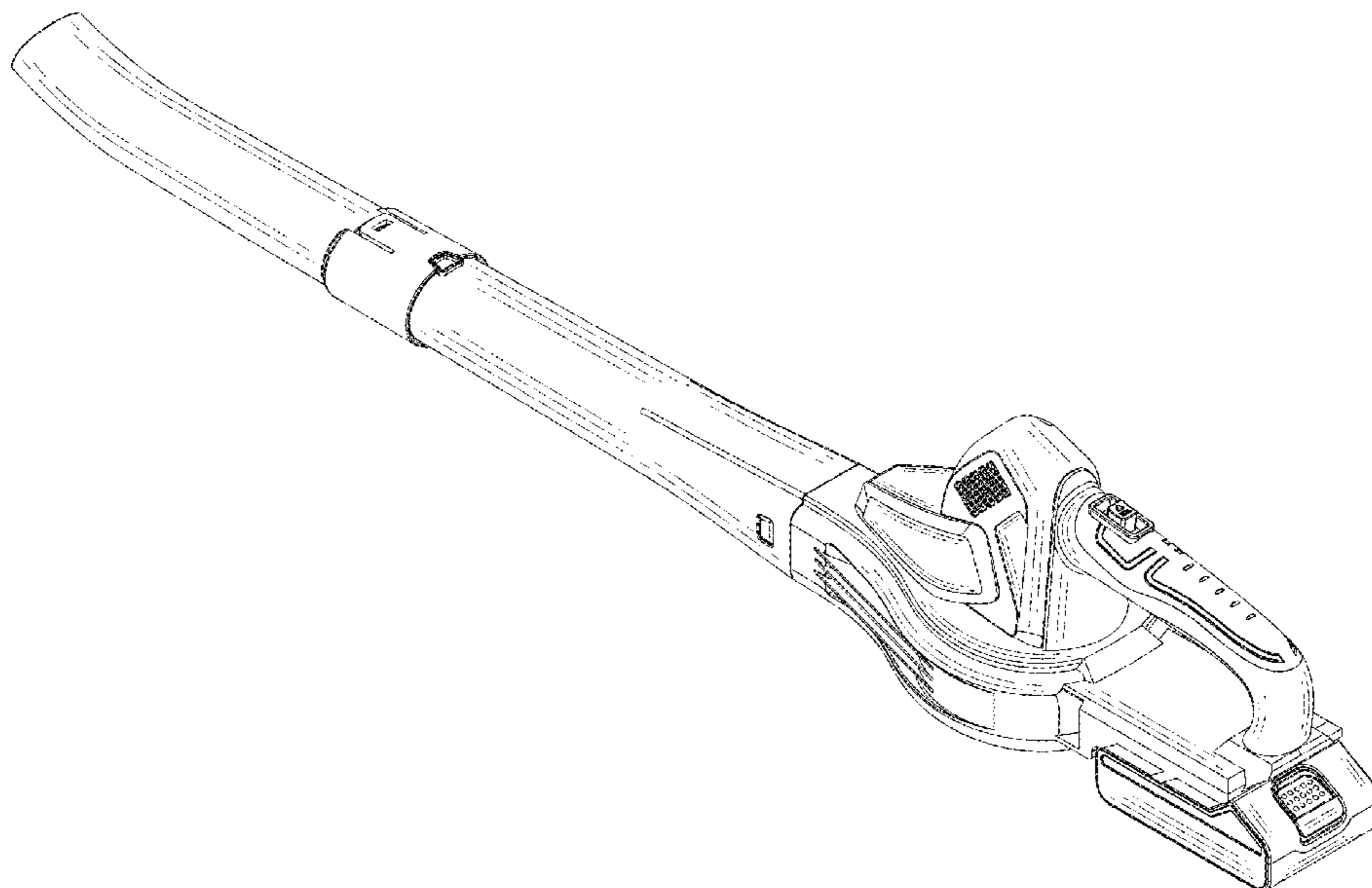
FIG. 4 is a right-side view thereof;

FIG. 5 is a top plan view thereof;

FIG. 6 is a bottom plan view thereof; and,

FIG. 7 is a top-right perspective view thereof.

**1 Claim, 7 Drawing Sheets**



(56)

**References Cited**

OTHER PUBLICATIONS

<https://www.amazon.com/Sun-Joe-SBJ597E-SJB-Electric-Blower/dp/B076CSDNXX>, from Amazon.com, printed on Jun. 29, 2022.

<https://www.amazon.com/BLACK-DECKER-Cordless-Sweeper-LSW40C/dp/B01N6P2F8M>, from Amazon.com, printed on Jun. 29, 2022.

<https://www.amazon.com/Cordless-Leaf-Blower-Battery-Operated/dp/B09FG9ZDB2>, from Amazon.com, printed on Jun. 29, 2022.

<https://www.walmart.com/ip/Hyper-Tough-20V-Max-Cordless-130-mph-Leaf-Sweeper-HT21-401-003-05/744200800>, from walmart.com, printed on Jun. 29, 2022.

\* cited by examiner

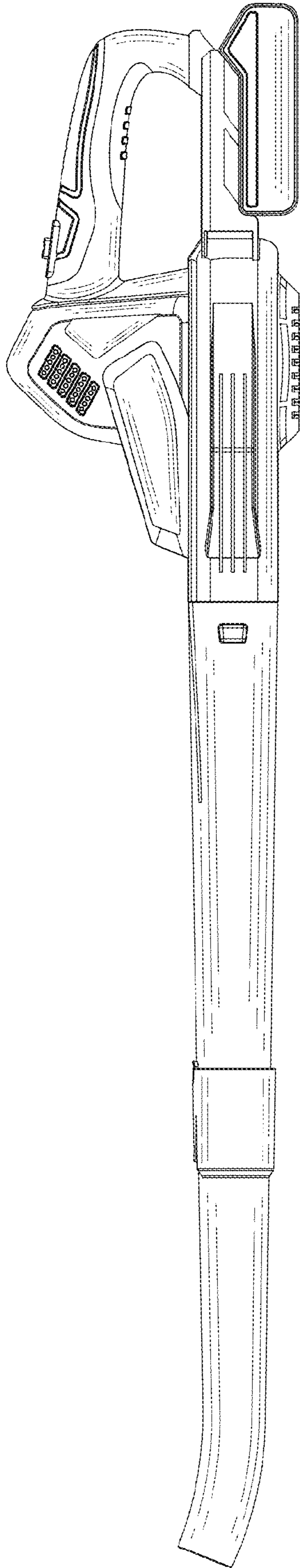


FIG. 1

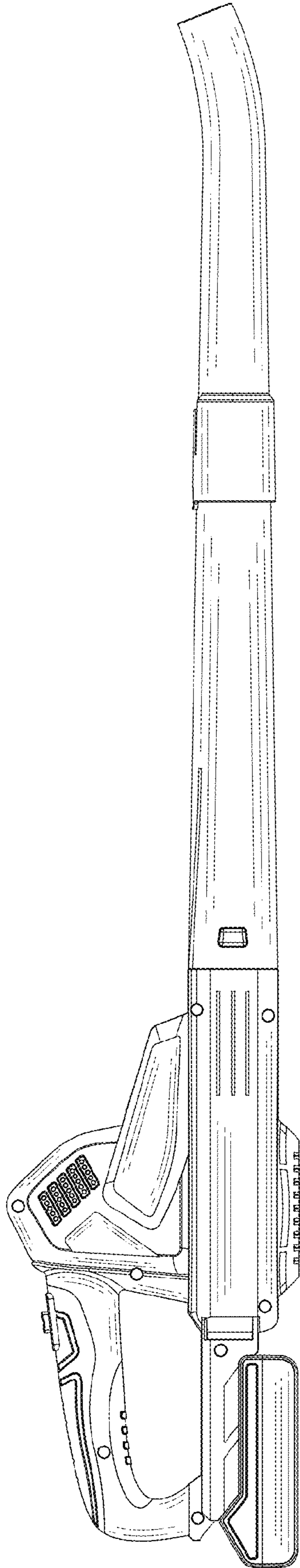


FIG. 2

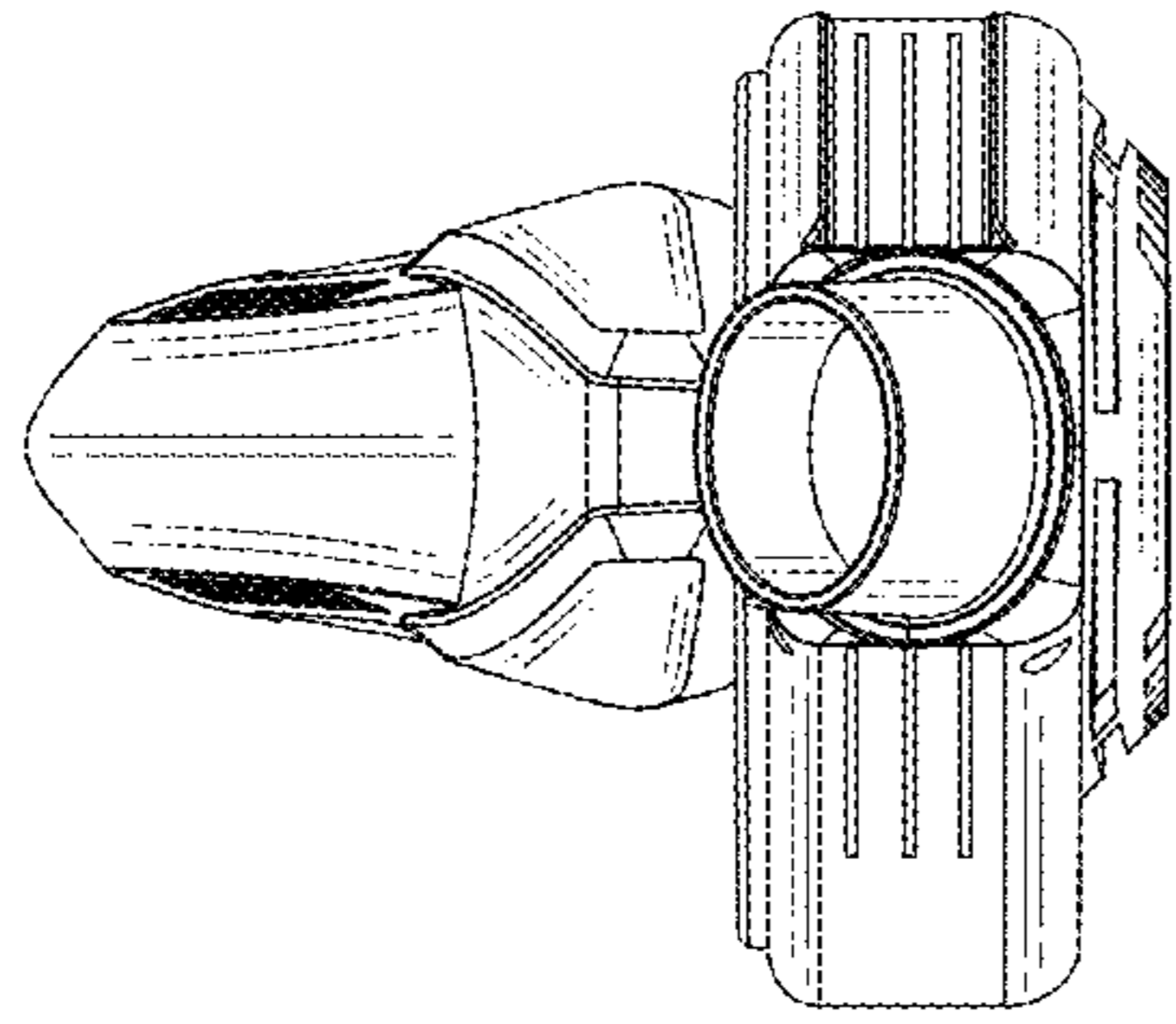


FIG. 3

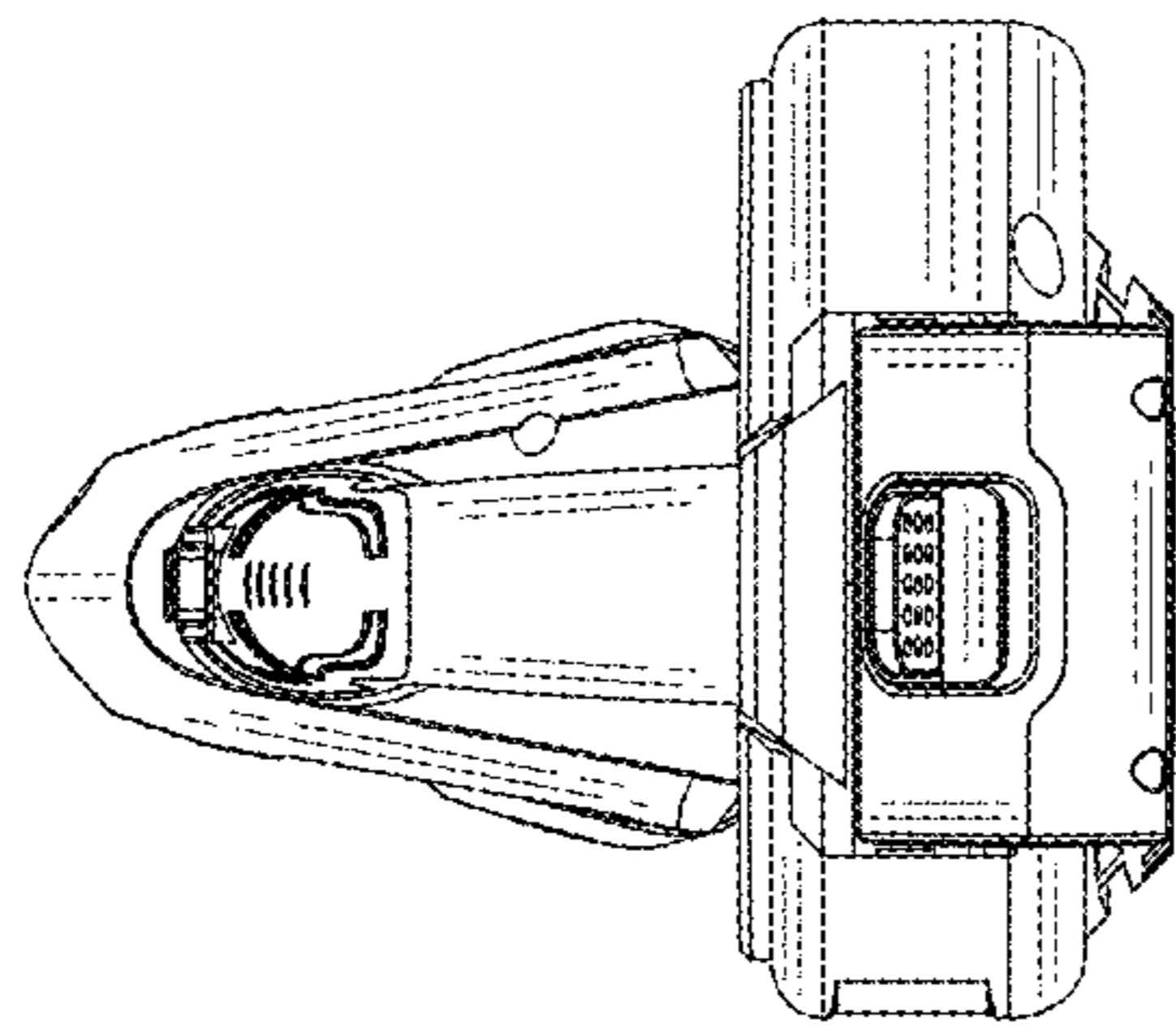


FIG. 4

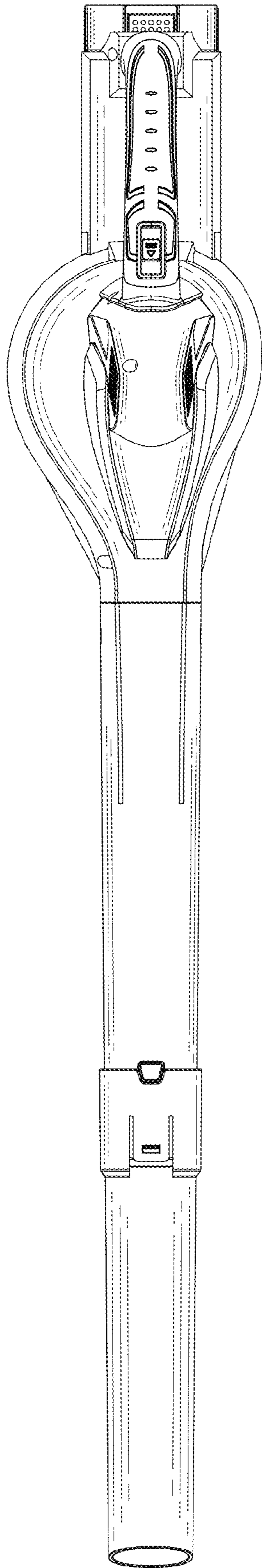


FIG. 5

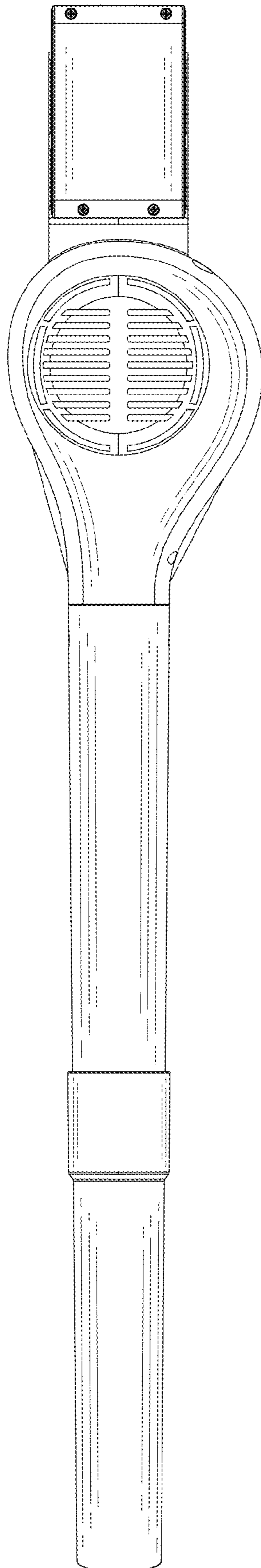


FIG. 6



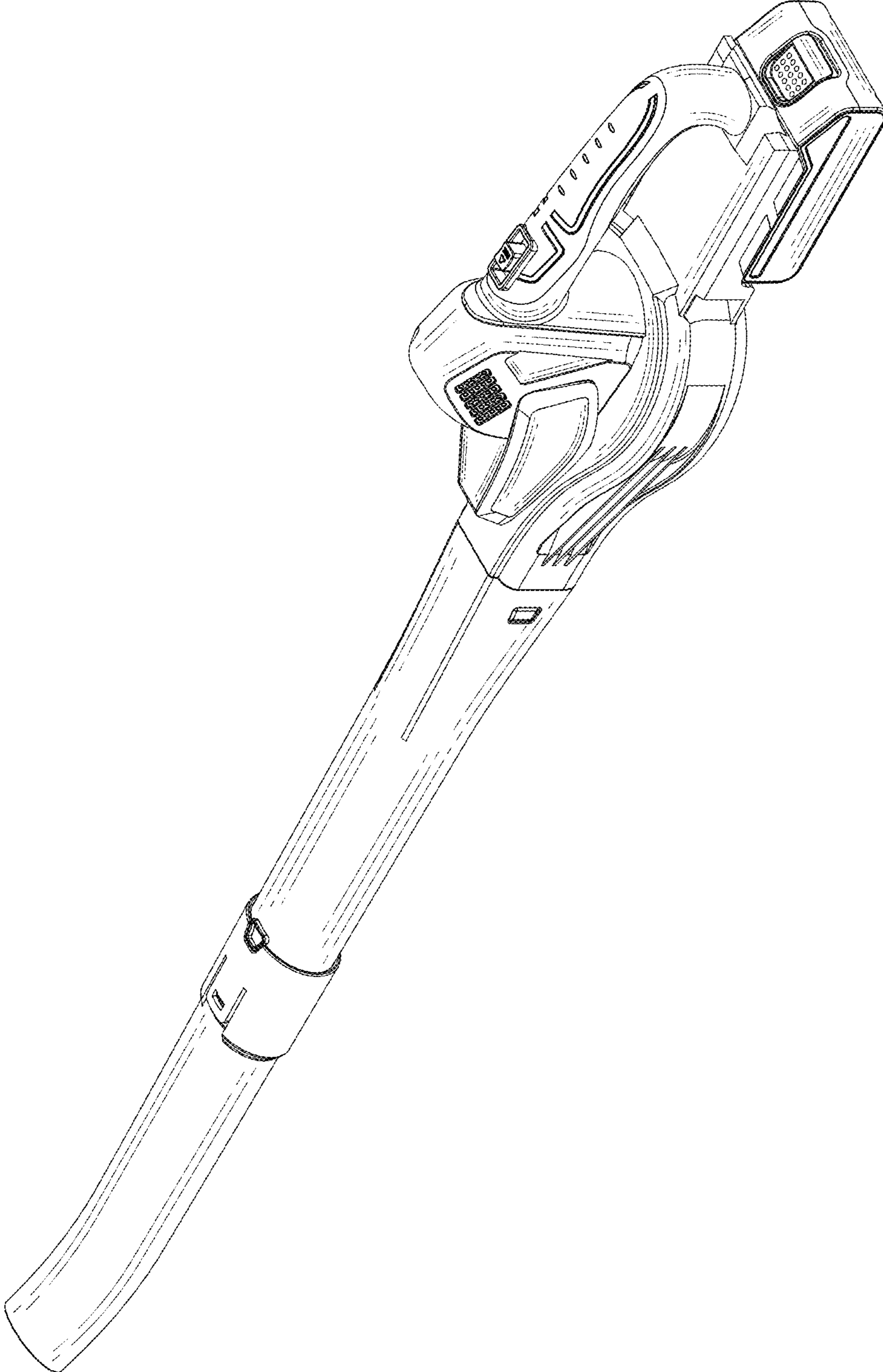


FIG. 7