



US00D983470S

(12) **United States Design Patent**  
**Yrad, Jr.**

(10) **Patent No.:** **US D983,470 S**  
(45) **Date of Patent:** **\*\* Apr. 11, 2023**

(54) **CABLE HOUSING**

(71) Applicant: **Ridge Tool Company**, Elyria, OH (US)

(72) Inventor: **Billy Odon M. Yrad, Jr.**, Elyria, OH (US)

(73) Assignee: **Ridge Tool Company**, Elyria, OH (US)

(\*\*) Term: **15 Years**

(21) Appl. No.: **29/693,780**

(22) Filed: **Jun. 5, 2019**

**Related U.S. Application Data**

(63) Continuation of application No. 16/420,383, filed on May 23, 2019, now Pat. No. 10,987,708.

(51) **LOC (14) Cl.** ..... **15-05**

(52) **U.S. Cl.**  
USPC ..... **D32/14**

(58) **Field of Classification Search**  
USPC ..... D32/14  
CPC ..... B08B 9/051; B08B 9/045; B65H 75/38  
See application file for complete search history.

(56) **References Cited**

**U.S. PATENT DOCUMENTS**

D271,436 S *	11/1983	Babb .....	D32/14
D298,071 S *	10/1988	Irwin .....	D32/14
D307,496 S *	4/1990	Moss .....	D32/14
D312,900 S *	12/1990	Russell .....	D32/14
6,416,009 B1 *	7/2002	Iaciofano .....	B65H 75/38 242/384.7
6,421,871 B1	7/2002	Peach et al.	
6,834,813 B1 *	12/2004	Nobi .....	B65H 75/38 137/355.16
D509,929 S *	9/2005	Rutkowski .....	D32/14
D555,847 S *	11/2007	Franzino .....	D32/14
D650,954 S *	12/2011	Patterson .....	D32/14
9,265,263 B2	2/2016	Whited et al.	
D807,730 S *	1/2018	Wu .....	D8/356

D849,339 S *	5/2019	Fan .....	D32/14
D885,697 S *	5/2020	Brockman .....	D32/14
D910,251 S *	2/2021	Lan .....	D32/14
D911,639 S *	2/2021	Hintz .....	D32/14
2002/0130210 A1 *	9/2002	Schellekens .....	B65H 75/4463 242/399.1
2003/0035685 A1 *	2/2003	Schmitt .....	B08B 9/045 403/322.1
2009/0038093 A1 *	2/2009	Irwin .....	B08B 9/0436 15/104.095

(Continued)

**OTHER PUBLICATIONS**

Rigid drawin cleaner, America Tools website review 2021, site visited Jan. 25, 2022, [https://americatools.com/week-specials/ridgid-64273-flexshaft-k9-204-drain-cleaner-for-2-4-pipes-includes-70-5-16-cable-and . . . \\*](https://americatools.com/week-specials/ridgid-64273-flexshaft-k9-204-drain-cleaner-for-2-4-pipes-includes-70-5-16-cable-and...)

(Continued)

*Primary Examiner* — John R Yeh

(74) *Attorney, Agent, or Firm* — Mark E. Bandy; Rankin Hill & Clark, LLP

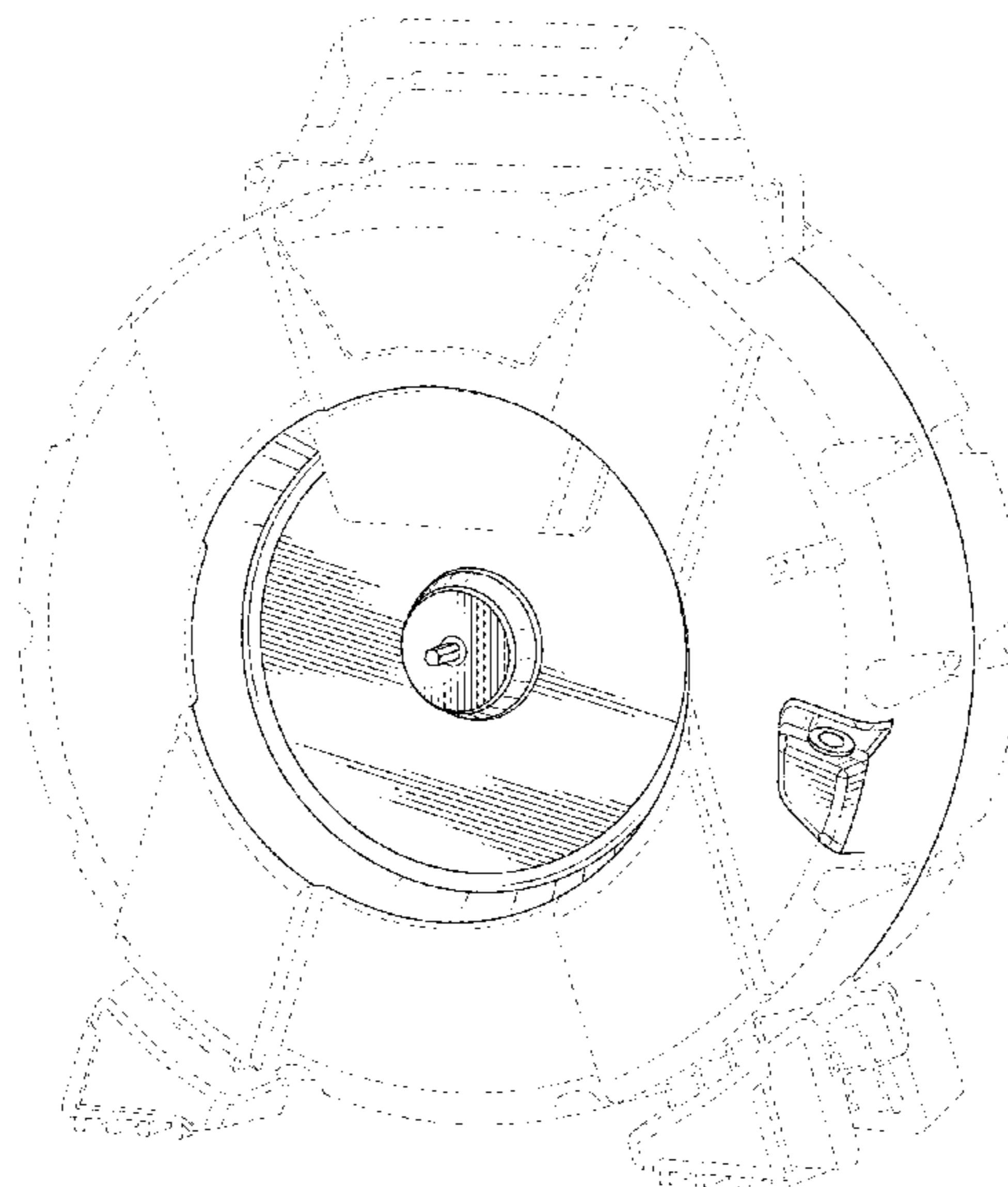
(57) **CLAIM**

The ornamental design for a cable housing, as shown and described.

**DESCRIPTION**

FIG. 1 is a front, right perspective view of my new design for a cable housing;  
FIG. 2 is a front elevation view thereof;  
FIG. 3 is a rear evaluation view thereof;  
FIG. 4 is a right side elevation view thereof;  
FIG. 5 is a left side elevation view thereof;  
FIG. 6 is a top plan view thereof; and,  
FIG. 7 is a bottom plan view thereof.  
The broken lines in the drawings depict portions of the cable housing that form no part of the claimed design.

**1 Claim, 7 Drawing Sheets**



(56)

**References Cited**

U.S. PATENT DOCUMENTS

2010/0125959	A1 *	5/2010	Sooy .....	G05B 19/042 15/104.33
2010/0139696	A1 *	6/2010	Silverman .....	B08B 9/045 134/22.11
2012/0203501	A1 *	8/2012	Gress .....	B08B 9/045 702/151
2012/0312910	A1 *	12/2012	Lokkinen .....	B65H 75/425 242/390.5
2018/0085797	A1	3/2018	Beyer	
2018/0126428	A1 *	5/2018	Hsu .....	B08B 9/045
2020/0230668	A1 *	7/2020	Baek .....	B08B 9/043
2021/0041005	A1 *	2/2021	Cole .....	H02K 5/24

OTHER PUBLICATIONS

Large Clog Dog; <https://www.clogsquad.com/product/116897/large-clog-dog>; 3 pages.  
 Mini Cleaner; <https://www.picotesolutions.com/drain-cleaning>; 3 pages.

Picote Maxi Miller Power + Operator's Manual; <https://www.picotesolutions.com/operating-manuals>; Jan. 9, 2019; 23 pages.  
 Picote Maxi Miller Operator's Manual; <https://www.picotesolutions.com/operating-manuals>; Jan. 9, 2019; 20 pages.  
 Picote Super Midi Miller Operator's Manual; <https://www.picotesolutions.com/operating-manuals>; Jan. 9, 2019; 20 pages.  
 Picote Midi Miller Operator's Manual; <https://www.picotesolutions.com/operating-manuals>; Jan. 9, 2019; 17 pages.  
 Picote Mini Miller Operator's Manual; <https://www.picotesolutions.com/operating-manuals>; Jan. 9, 2019; 22 pages.  
 Picote Micro Miller Operator's Manual; <https://www.picotesolutions.com/operating-manuals>; Jan. 9, 2019; 22 pages.  
 RCM-10 Safety and Instruction Manual; <https://www.renssi.com/en/services/>; Jan. 2019; 12 pages.  
 RCM-25 Safety and Instruction Manual; <https://www.renssi.com/en/services/>; Jan. 2018; 16 pages.  
 RCM-36 Safety and Instruction Manual; <https://www.renssi.com/en/services/>; Jan. 2018; 16 pages.  
 Zip-Zip Fleet Stationary Drum and ZIP-ZIP Revolution Rotating Drum; <https://www.drainrehabolutions.com/>; 7 pages.

\* cited by examiner

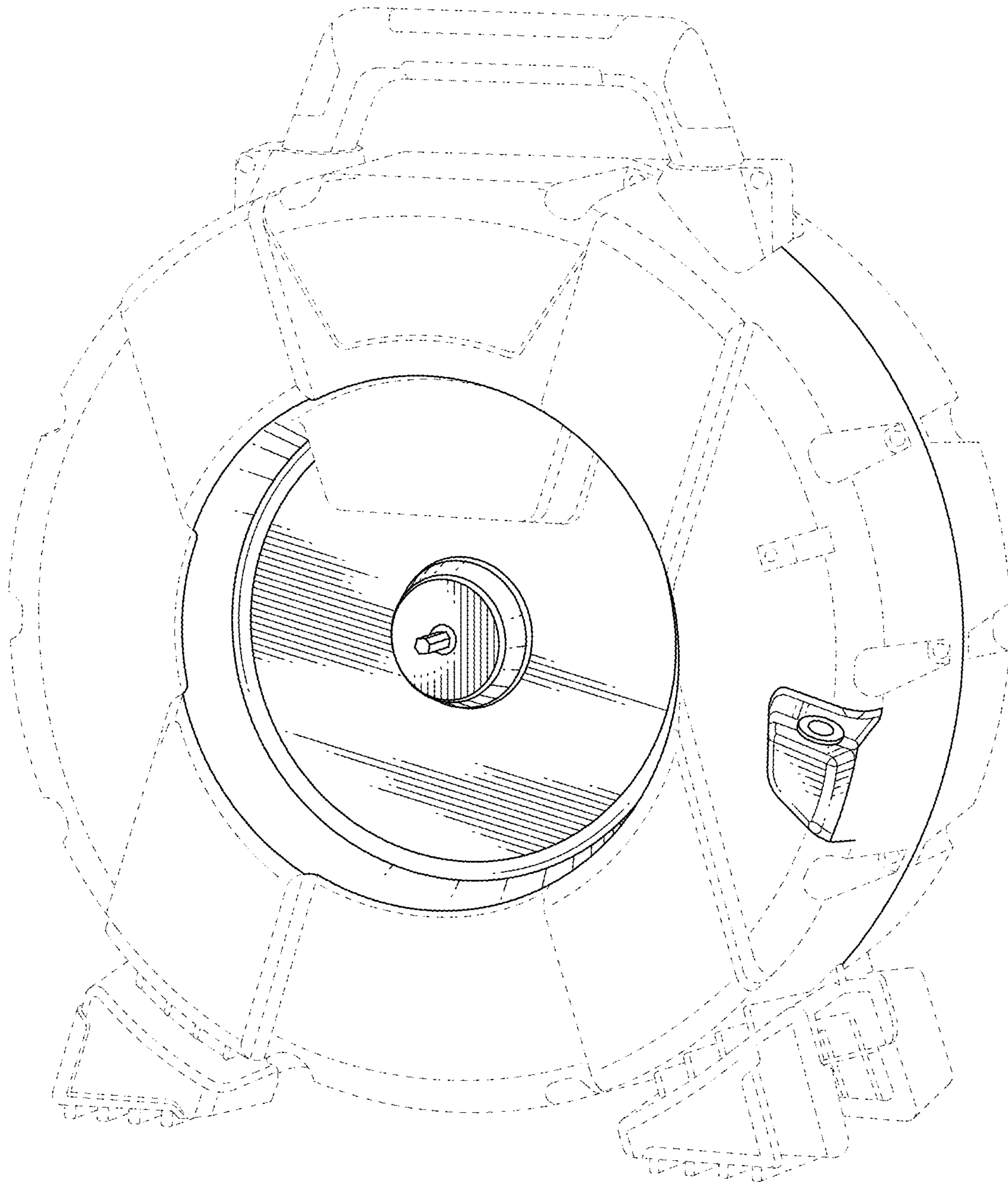


FIG. 1



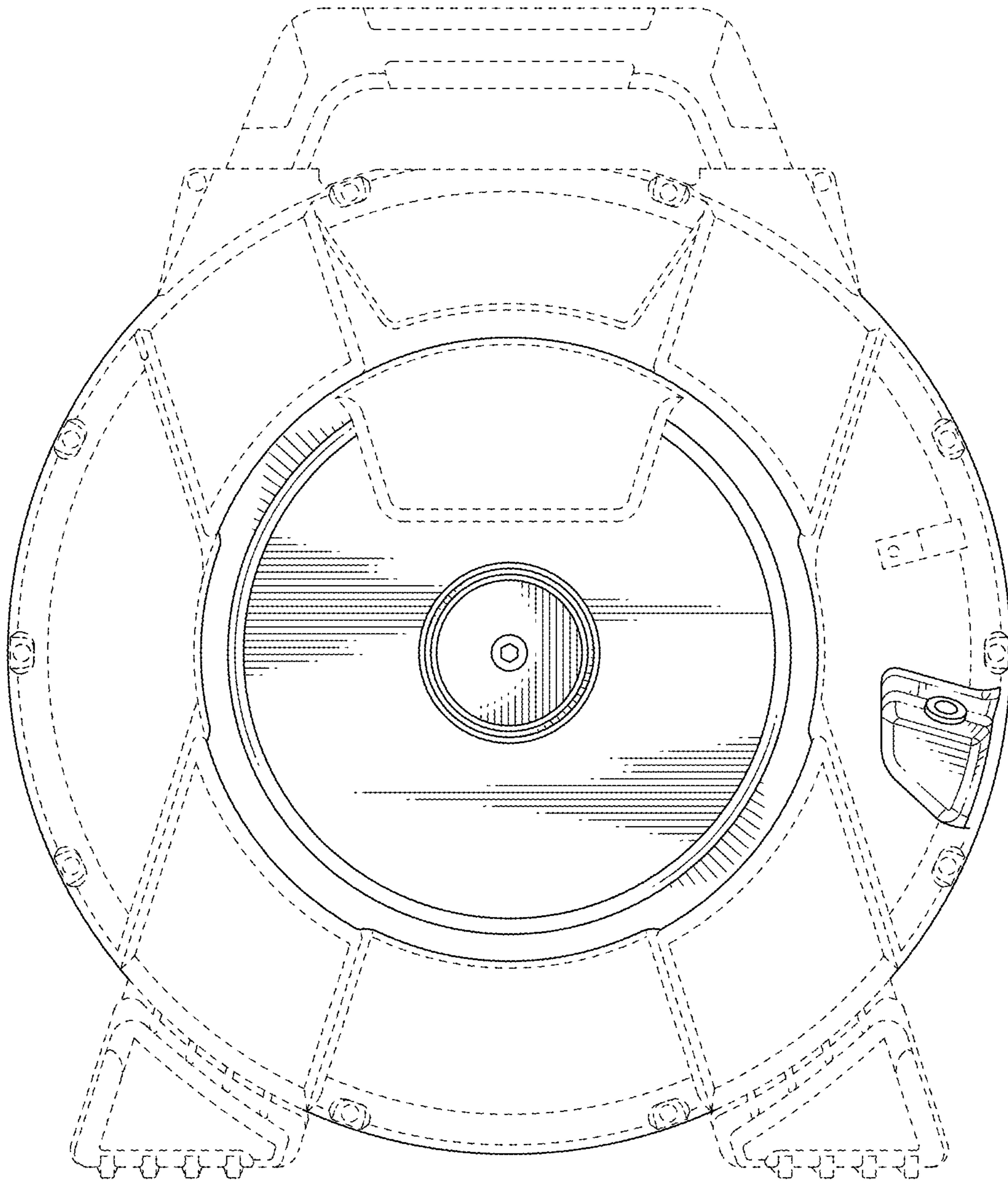


FIG. 2

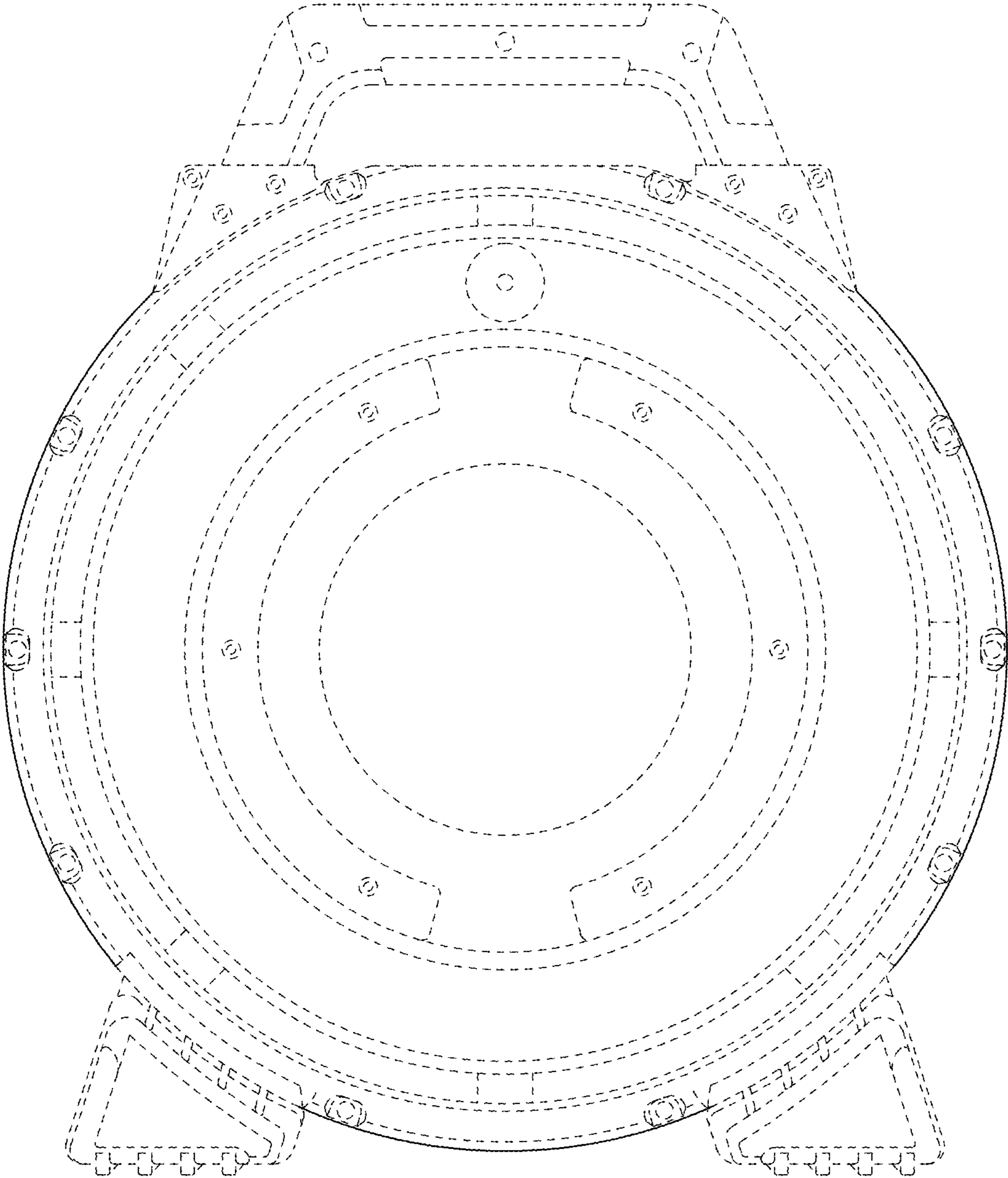


FIG. 3

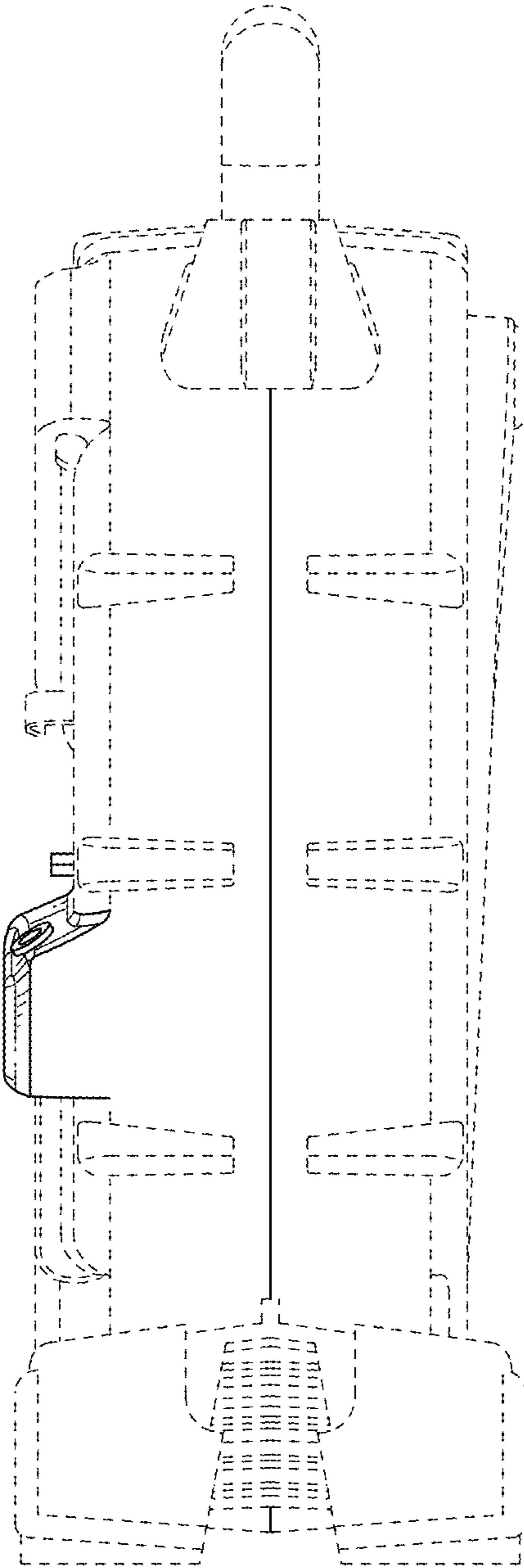


FIG. 4

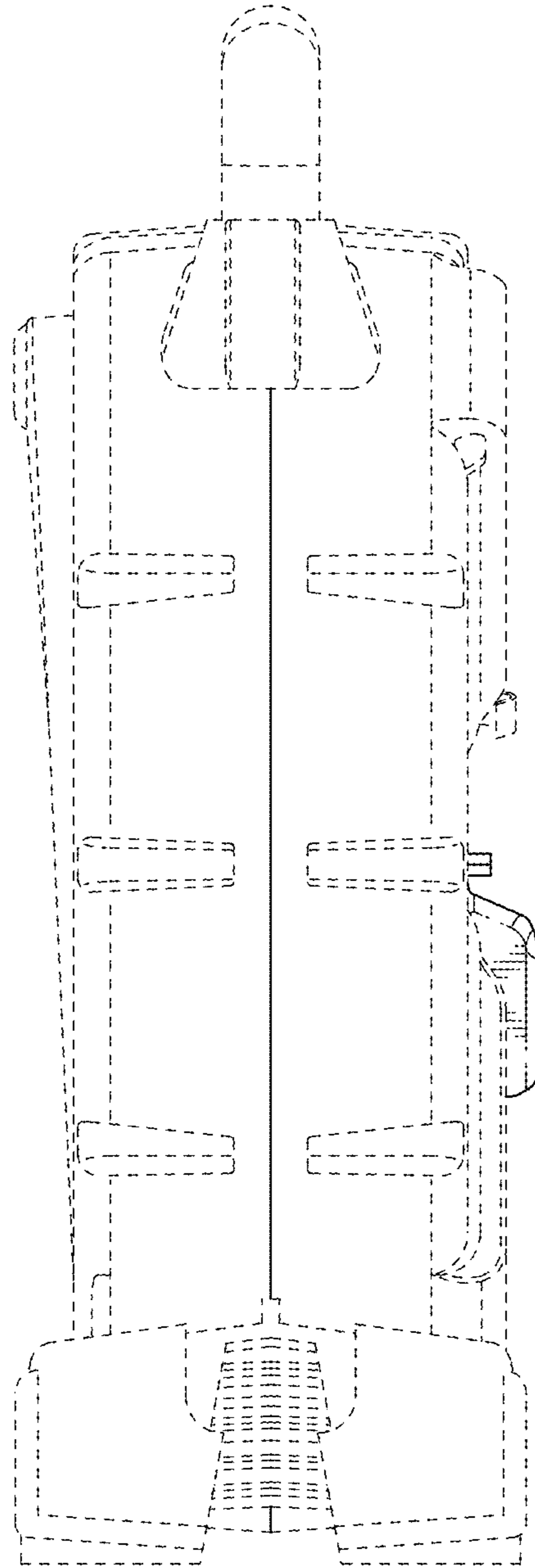


FIG. 5

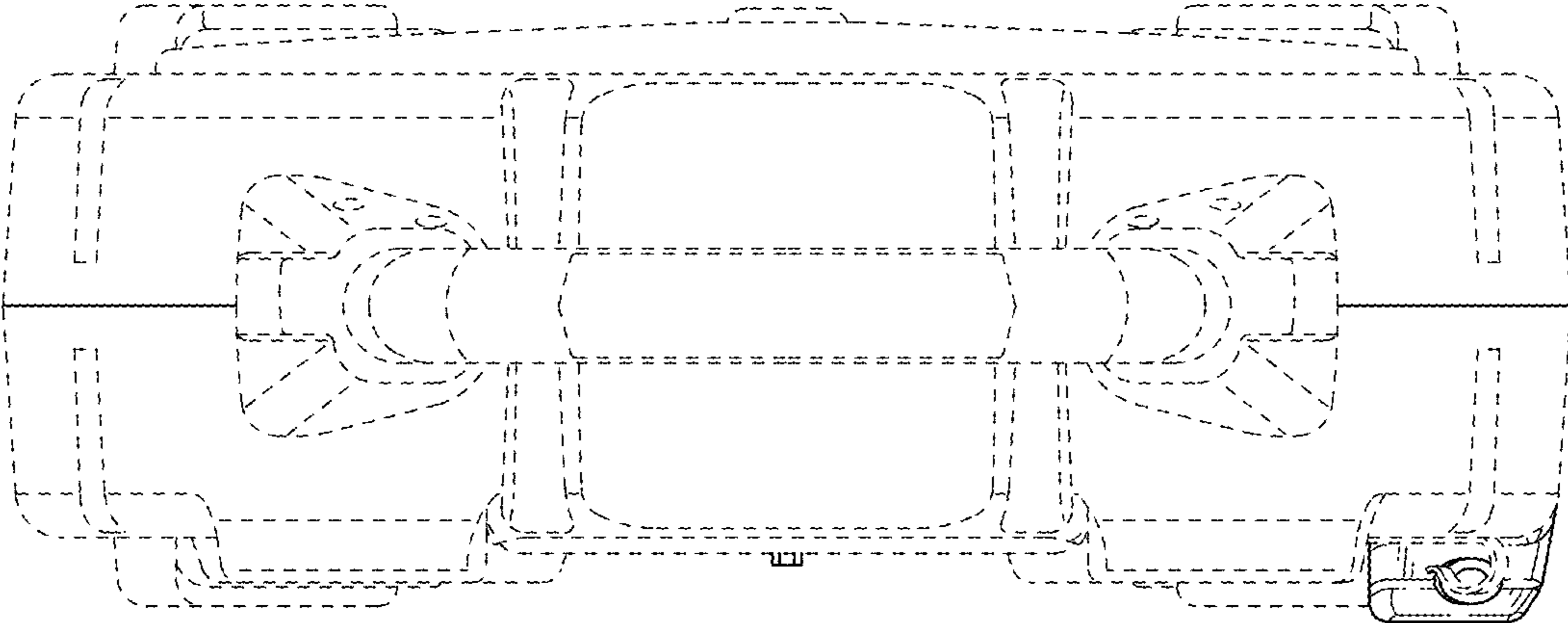


FIG. 6



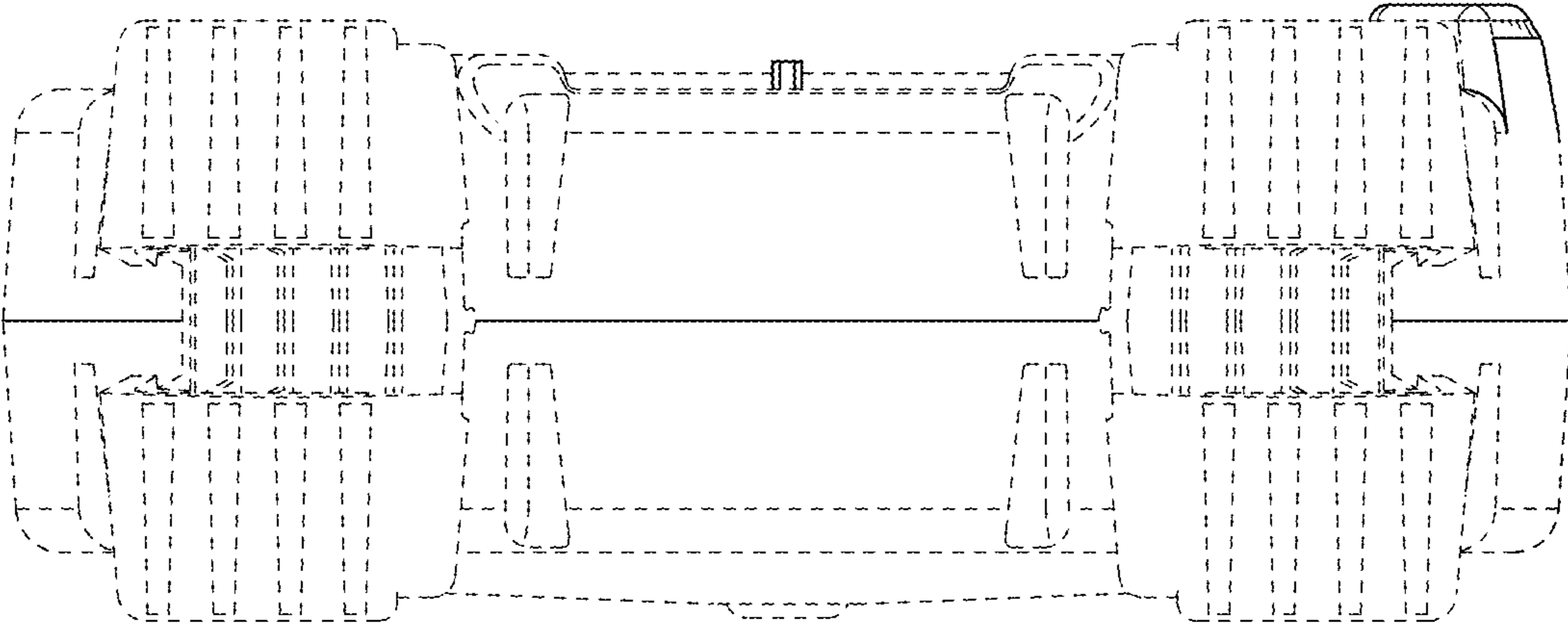


FIG. 7