



US00D983468S

(12) **United States Design Patent**  
**Zhu**

(10) **Patent No.:** **US D983,468 S**

(45) **Date of Patent:** **\*\* Apr. 11, 2023**

(54) **PET TRACKER COVER**

(71) Applicant: **Putian Damai Trading Co., Ltd.**,  
Putian (CN)

(72) Inventor: **Qinfu Zhu**, Putian (CN)

(73) Assignee: **Putian Damai Trading Co., Ltd.**,  
Putian (CN)

(\*\*) Term: **15 Years**

(21) Appl. No.: **29/850,151**

(22) Filed: **Aug. 17, 2022**

(30) **Foreign Application Priority Data**

Jun. 16, 2022 (CN) ..... 202230368955.8

(51) **LOC (14) Cl.** ..... **30-99**

(52) **U.S. Cl.**  
USPC ..... **D30/199**; D10/104.1; D10/104.2

(58) **Field of Classification Search**  
USPC ..... D30/144, 145, 151, 152, 153, 154, 199;  
D10/104.1, 104.2, 31, 32, 46, 65, 70, 74,  
D10/121

CPC .. A01K 11/004; A01K 11/008; A01K 15/021;  
A01K 15/022; A01K 27/001; A01K  
27/009; Y10T 24/13; Y10T 24/1374

See application file for complete search history.

(56) **References Cited**

**U.S. PATENT DOCUMENTS**

D407,985 S \* 4/1999 Pimentel ..... D10/104.2  
D440,397 S \* 4/2001 Bardet ..... D3/201  
D512,926 S \* 12/2005 Kondoh ..... D10/70  
D523,188 S \* 6/2006 Lord ..... D30/152  
D607,617 S \* 1/2010 Golenz ..... D30/152  
D679,618 S \* 4/2013 Dumas ..... D10/104.2  
D710,228 S \* 8/2014 Burke ..... D10/104.1  
D773,325 S \* 12/2016 Browning ..... D10/74

D818,854 S \* 5/2018 Kachar ..... D10/70  
D822,921 S \* 7/2018 Wen ..... D30/199  
D867,909 S \* 11/2019 Kachar ..... D10/70  
D888,410 S \* 6/2020 Jacob ..... D3/207  
D890,002 S \* 7/2020 Cound ..... D10/70  
D911,860 S \* 3/2021 Schoenherr ..... D10/104.2  
D918,072 S \* 5/2021 Umair ..... D10/70  
D920,138 S \* 5/2021 Kuwashiro ..... D10/46  
D926,396 S \* 7/2021 Jia ..... D10/104.1  
D936,504 S \* 11/2021 Dick ..... D10/70  
D938,669 S \* 12/2021 Jia ..... D10/104.1

(Continued)

**OTHER PUBLICATIONS**

TagVault Pet: The Original AirTag Waterproof Dog Collar Mount, dated Aug. 27, 2021, amazon.com [online]. Retrieved Sep. 24, 2022 from internet <URL:https://www.amazon.com/TagVault-Pet-Waterproof-Ultra-Durable-Collars/dp/B09DR2QNQ5/?th=1> (Year: 2021).\*

(Continued)

*Primary Examiner* — Andrew T Nemeth

(74) *Attorney, Agent, or Firm* — Nitin Kaushik

(57) **CLAIM**

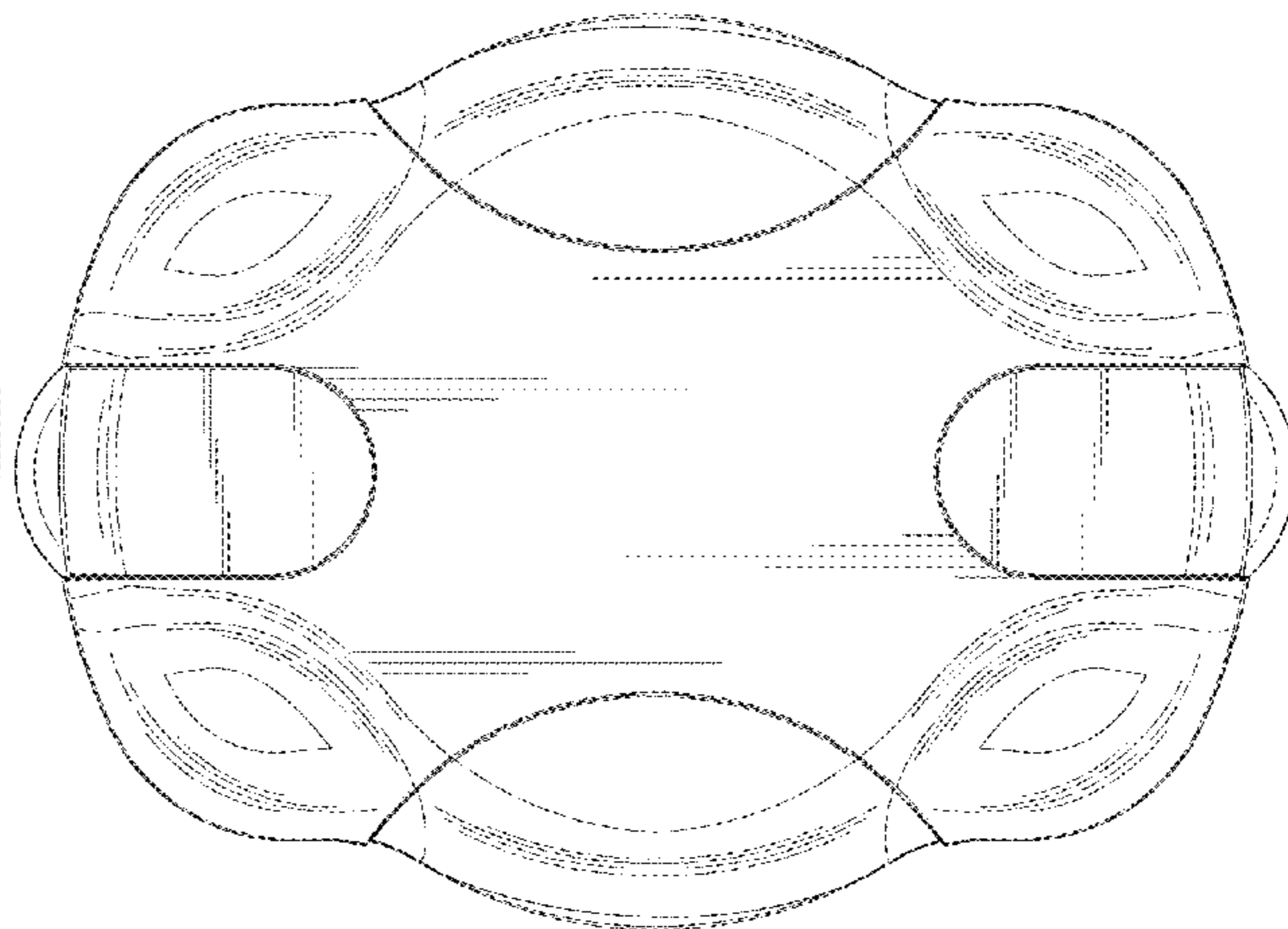
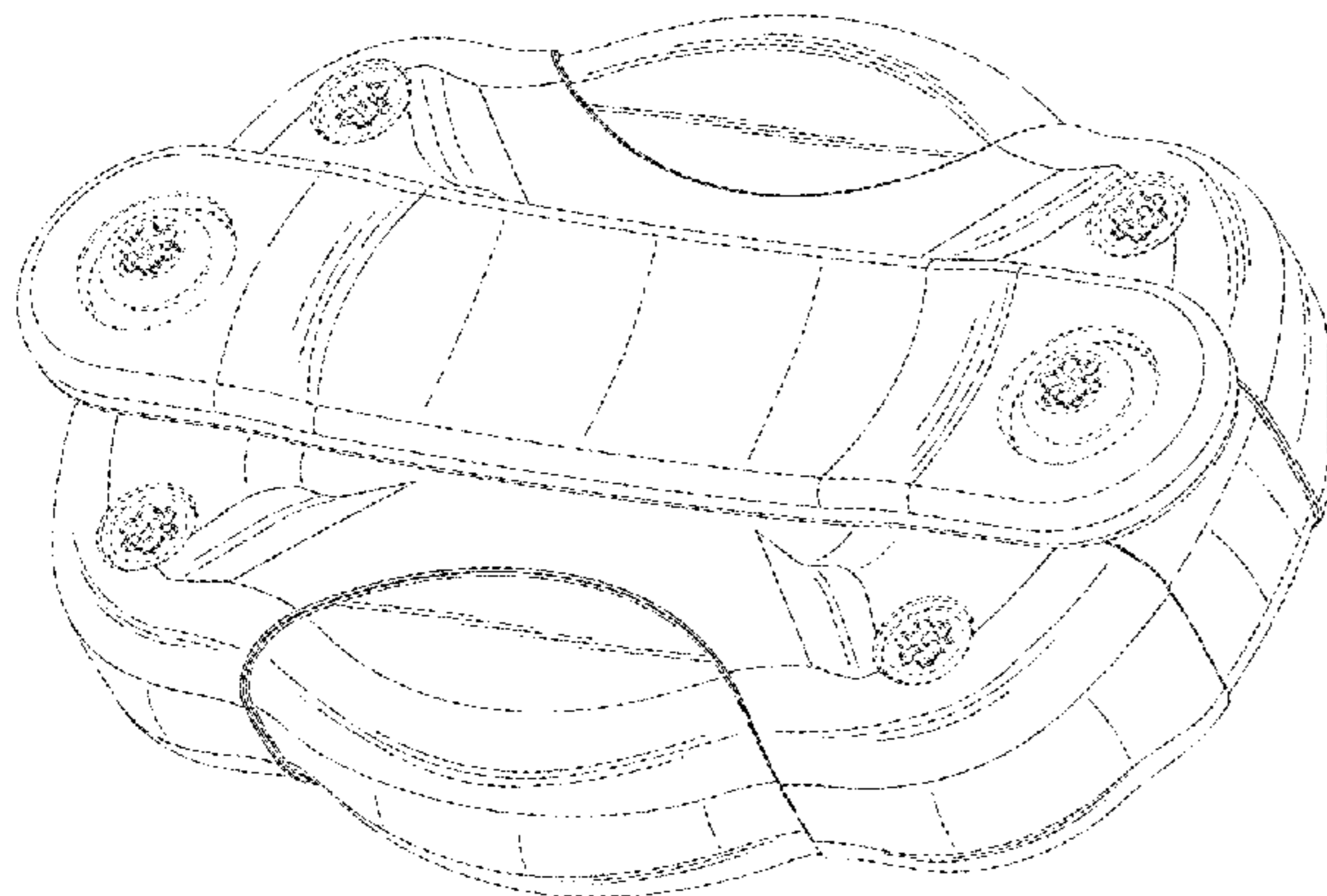
The ornamental design for a pet tracker cover, as shown and described.

**DESCRIPTION**

FIG. 1 is a front, bottom and right side perspective view of a pet tracker cover, showing my new design;  
FIG. 2 is a front view thereof;  
FIG. 3 is a rear view thereof;  
FIG. 4 is a left side view thereof;  
FIG. 5 is a right side view thereof;  
FIG. 6 is a top view thereof; and,  
FIG. 7 is a bottom view thereof.

The broken lines in the drawings illustrate the portions of the pet tracker cover, which form no part of the claimed design.

**1 Claim, 7 Drawing Sheets**



(56)

**References Cited**

## U.S. PATENT DOCUMENTS

D939,364 S 12/2021 Pack  
D957,970 S \* 7/2022 Lee ..... D10/74  
D964,667 S \* 9/2022 Mo ..... D10/104.1  
D971,529 S \* 11/2022 Hopkins ..... D10/104.1  
D974,945 S \* 1/2023 Deng ..... D10/121  
2006/0236955 A1\* 10/2006 Lord ..... A01K 27/001  
119/794  
2006/0236956 A1\* 10/2006 Lord ..... A01K 27/004  
119/794  
2007/0221140 A1\* 9/2007 Warren ..... A01K 11/008  
119/859  
2021/0212288 A1\* 7/2021 Smith ..... A01K 11/001

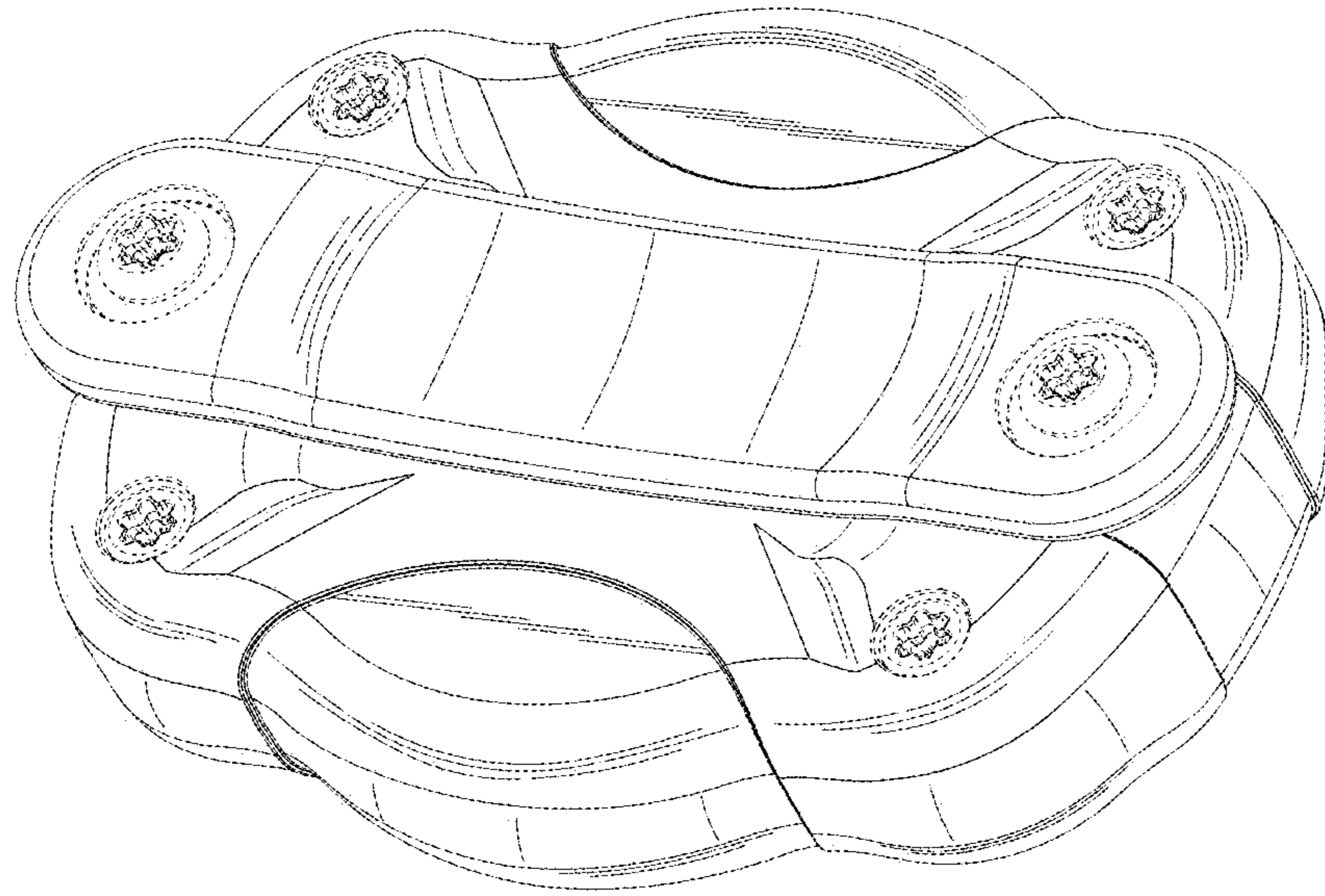
## OTHER PUBLICATIONS

Airtag Dog Collar, dated Sep. 28, 2021, amazon.com [online]. Retrieved Dec. 3, 2022 from internet <URL:https://www.amazon.com/Airtag-Collar-Holder-Adjustable-Accessories/dp/B09HBXPTWT?th=1 > (Year: 2021).\*

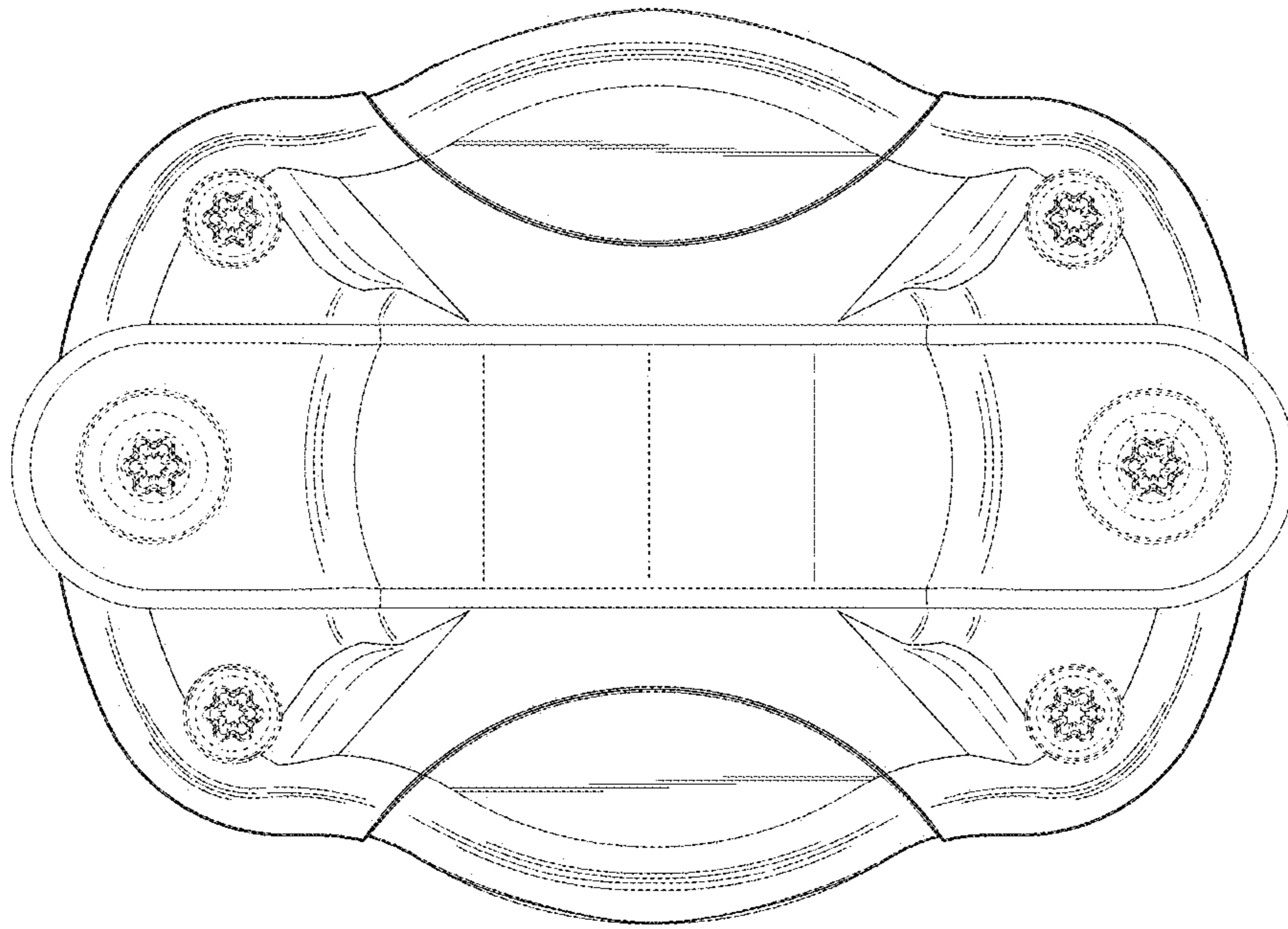
Airtag Dog Collar Holder for Apple AirTags Dog Collar Case Waterproof, dated Apr. 26, 2022, amazon.com [online]. Retrieved Dec. 3, 2022 from internet <URL:https://www.amazon.com/Waterproof-Anti-Lost-Backpack-Accessories-1PCS-Black/dp/B0BG9NW29W/?th=1 > (Year: 2022).\*

Dovick—Waterproof Airtag Dog Collar Holder Mount, dated Aug. 17, 2022, amazon.com [online]. Retrieved Dec. 3, 2022 from internet <URL:https://www.amazon.com/Dovick-Waterproof-Airtag-Collar-Holder-Mount/dp/B0B9WP6NPT/> (Year: 2022).\*

\* cited by examiner

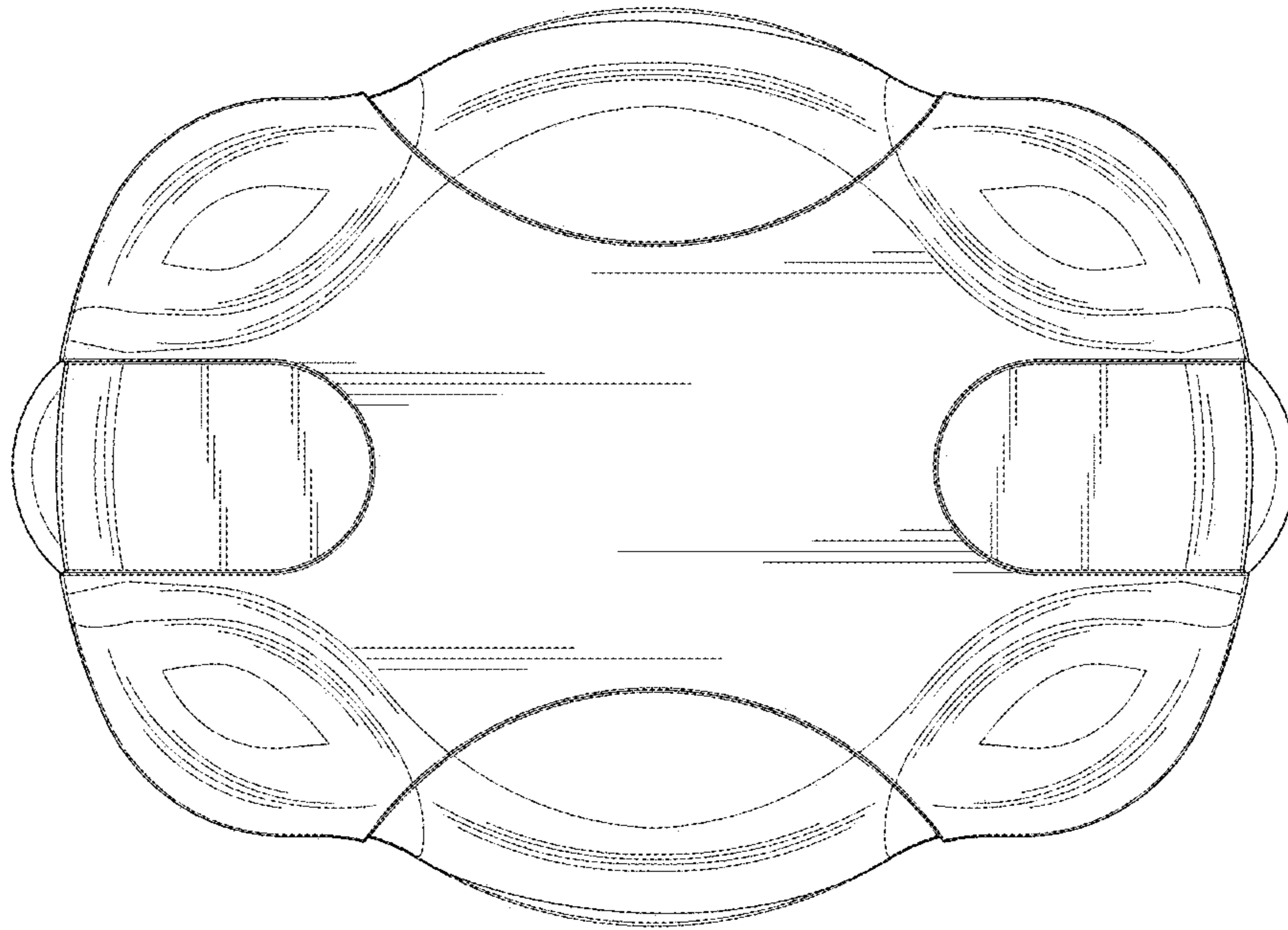


***FIG. 1***

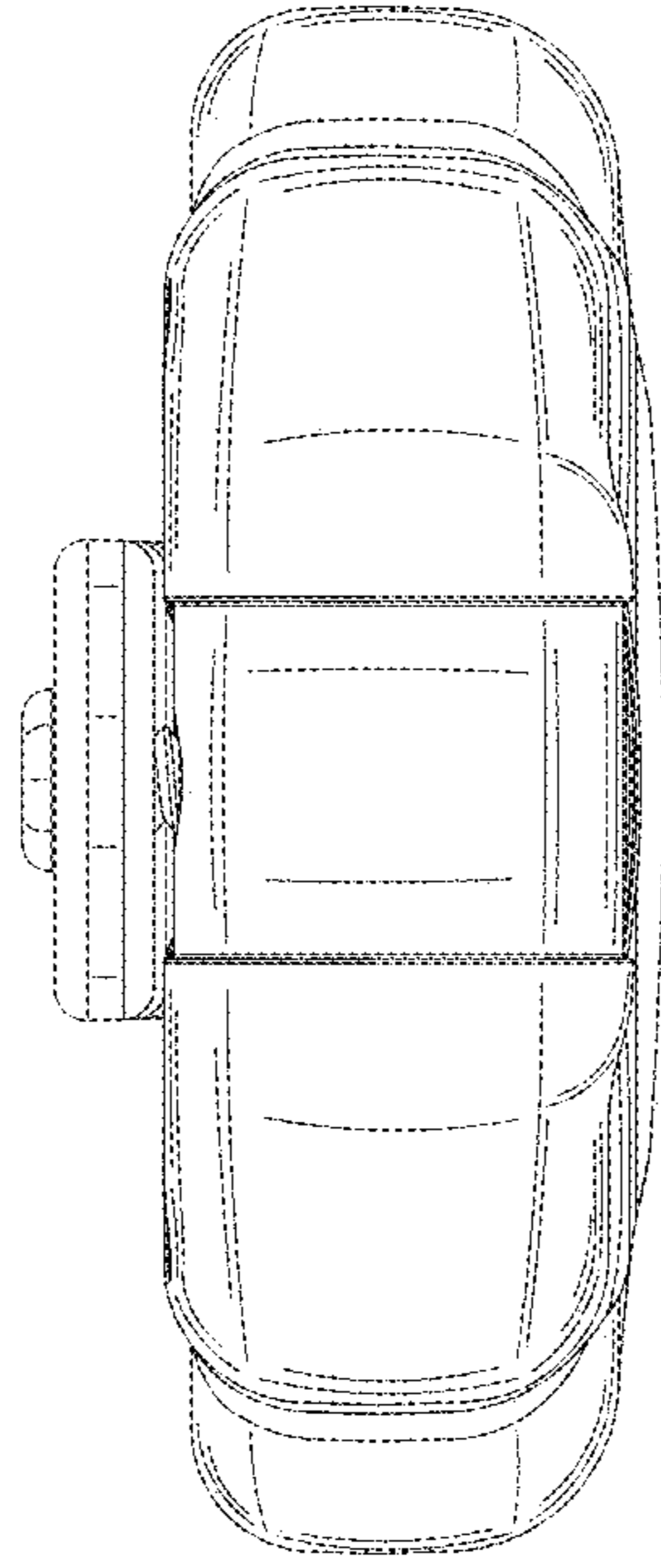


**FIG. 2**

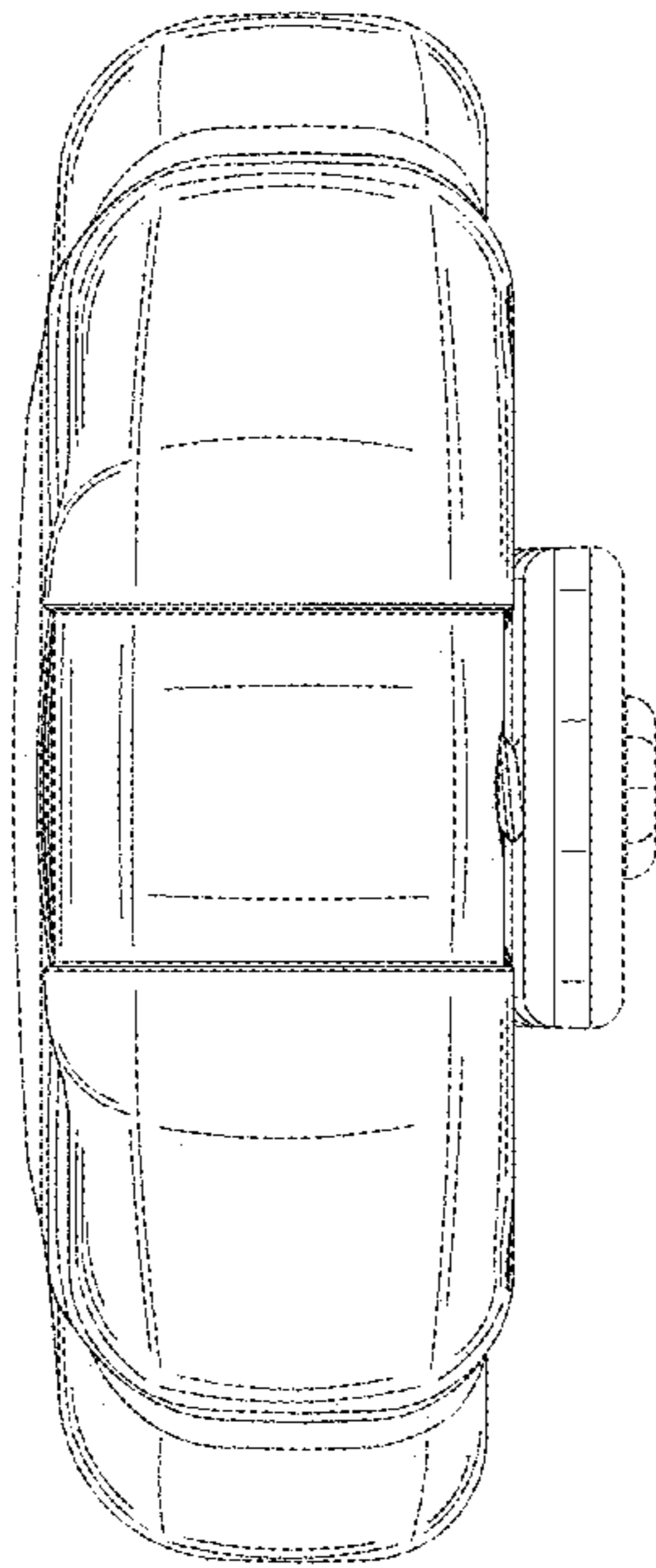




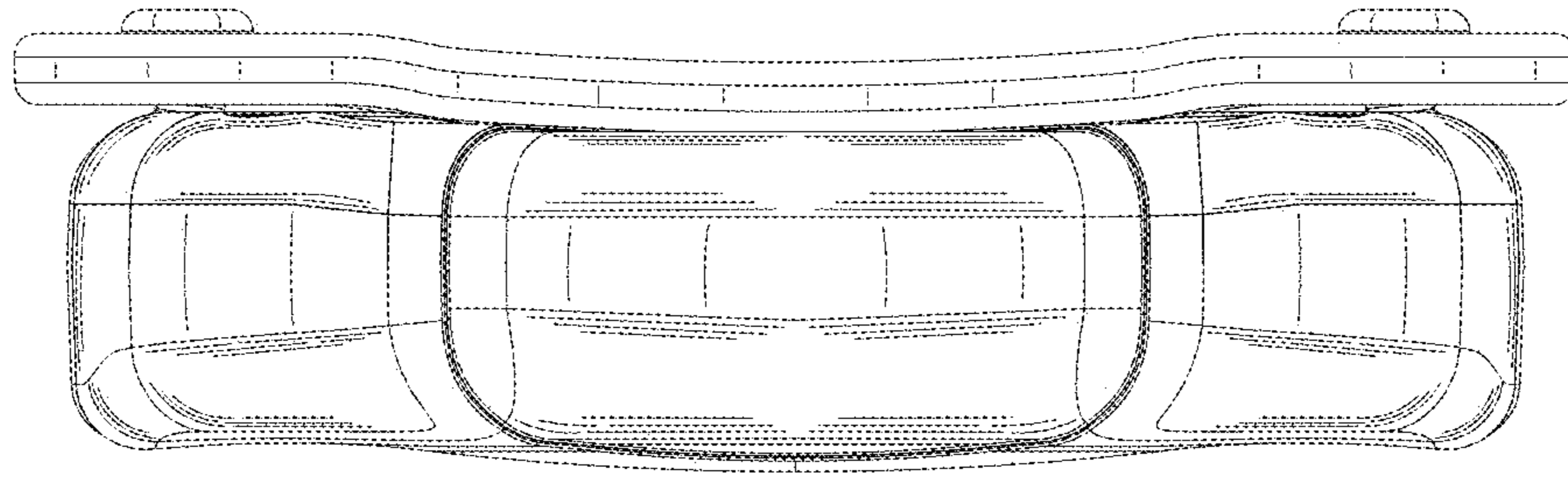
***FIG. 3***



***FIG. 4***

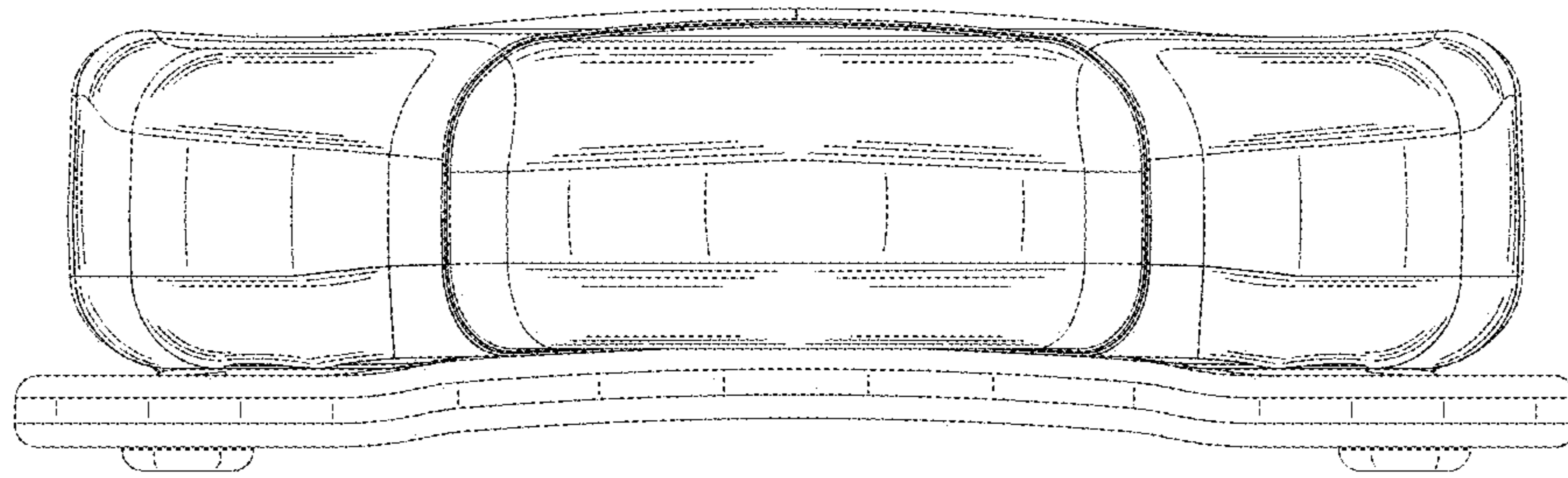


***FIG. 5***



***FIG. 6***





**FIG. 7**