



US00D983466S

(12) **United States Design Patent**
Zhang

(10) **Patent No.:** **US D983,466 S**
(45) **Date of Patent:** **** Apr. 11, 2023**

- (54) **CAT WAND TOY**
- (71) Applicant: **Chenghong Zhang**, Xiamen (CN)
- (72) Inventor: **Chenghong Zhang**, Xiamen (CN)
- (**) Term: **15 Years**
- (21) Appl. No.: **29/845,980**
- (22) Filed: **Jul. 12, 2022**
- (51) **LOC (14) Cl.** **30-12**
- (52) **U.S. Cl.**
USPC **D30/160**
- (58) **Field of Classification Search**
USPC D30/108, 118, 119, 120, 151, 152, 153,
D30/160, 199, 158; D21/400, 402, 405
CPC A01K 15/00; A01K 15/02; A01K 15/021;
A01K 15/022; A01K 15/023; A01K
15/029; A01K 15/025; A01K 15/026;
A01K 15/027; A01K 27/009; A01K
27/00; A01K 27/001; A01K 27/006;
A01K 27/007; A01K 27/008; A01K
5/0114; A23K 50/40
See application file for complete search history.

(56) **References Cited**

U.S. PATENT DOCUMENTS

D426,036 S *	5/2000	Willinger	D30/160
6,892,675 B1 *	5/2005	Comerford	A01K 15/025 119/706
D645,777 S *	9/2011	Gladden	D11/43
8,181,606 B1 *	5/2012	Kirschbaum	A01K 15/025 119/707
D714,497 S *	9/2014	Cogswell	D30/160
8,978,591 B2 *	3/2015	Cogswell	A01K 15/025 119/708
D842,557 S *	3/2019	Gardner	D30/118
D905,356 S *	12/2020	Chen	D30/160
D934,511 S	10/2021	Fan		
2003/0136352 A1 *	7/2003	Lazarich	A01K 15/025 119/708

2012/0090555 A1 *	4/2012	Bertsch	A01K 15/025 119/707
2016/0165843 A1 *	6/2016	Kirschbaum	A01K 15/027 119/708
2019/0053467 A1 *	2/2019	Foley	A63B 43/008

OTHER PUBLICATIONS

Tassel Teaser Cat Toy. NaiHey, amazon.ca (online) 6 pages. Posted Apr. 28, 2021. [Retrieved Jan. 17, 2023] <https://a.co/d/dwJKIuY> (Year: 2021).*

(Continued)

Primary Examiner — Rebekah A Caruso
Assistant Examiner — Cole Sanders Holman

(57) **CLAIM**

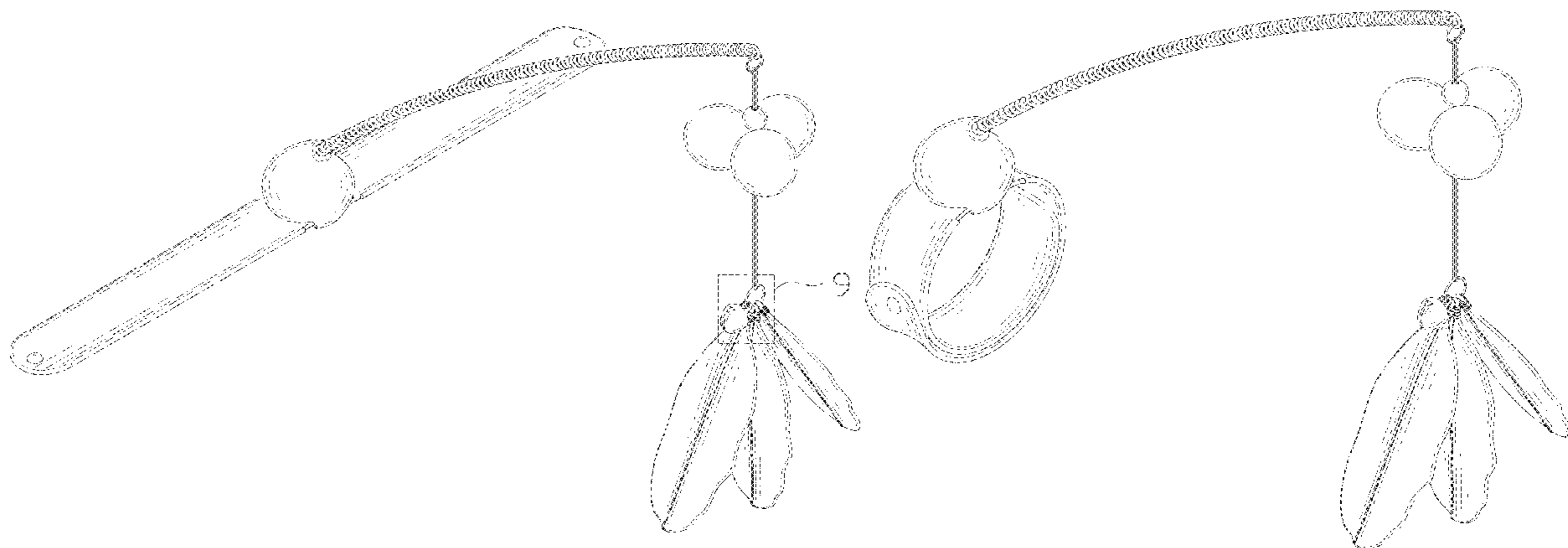
The ornamental design for a cat wand toy, as shown and described.

DESCRIPTION

FIG. 1 is a front and top perspective view of a cat wand toy, showing my new design;
 FIG. 2 is a rear and bottom perspective view thereof;
 FIG. 3 is a front elevation view thereof;
 FIG. 4 is a rear elevation view thereof;
 FIG. 5 is a left side elevation view thereof;
 FIG. 6 is a right side elevation view thereof;
 FIG. 7 is a top plan view thereof;
 FIG. 8 is a bottom plan view thereof;
 FIG. 9 is an enlarged view of a portion indicated with numeric 9 in FIG. 1; and,
 FIG. 10 is another perspective view thereof, shown in an alternative position.

The dashed lines in the figures illustrate portions of the cat wand toy that form no part of the claimed design. The dash dot dash lines in FIGS. 1 and 9 are for the purpose of depicting the boundary lines of the enlarged view and form no part of the claimed design.

1 Claim, 10 Drawing Sheets



(56)

References Cited

OTHER PUBLICATIONS

Interactive Cat Teaser Toy. Papieed, amazon.ca (online) 6 pages. Posted Apr. 22, 2021. [Retrieved Jan. 17, 2023] <https://a.co/d/9Gr8tCP> (Year: 2021).*

6 Pieces Cat Feather Collar. Renhekek, amazon.ca (online) 6 pages. Posted Sep. 2, 2022. [Retrieved Jan. 17, 2023] <https://a.co/d/b2F1EUK> (Year: 2022).*

Mipcase 5 CS Cat Wand Toy. Mipcase, amazon.com (online) 6 pages. Posted Jul. 19, 2022. [Retrieved Jan. 17, 2023] <https://a.co/d/0ALTUJI> (Year: 2022).*

* cited by examiner

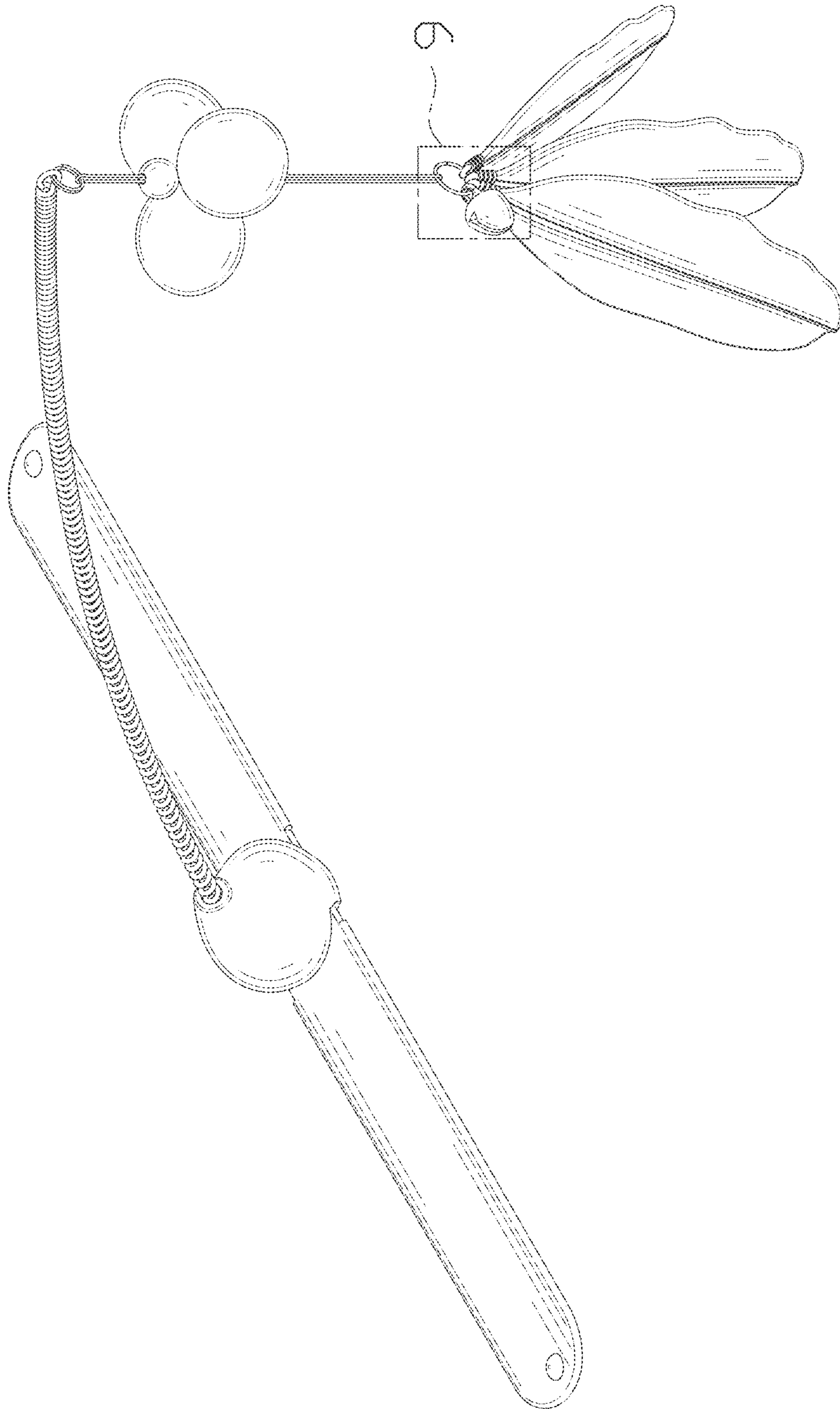


FIG. 1

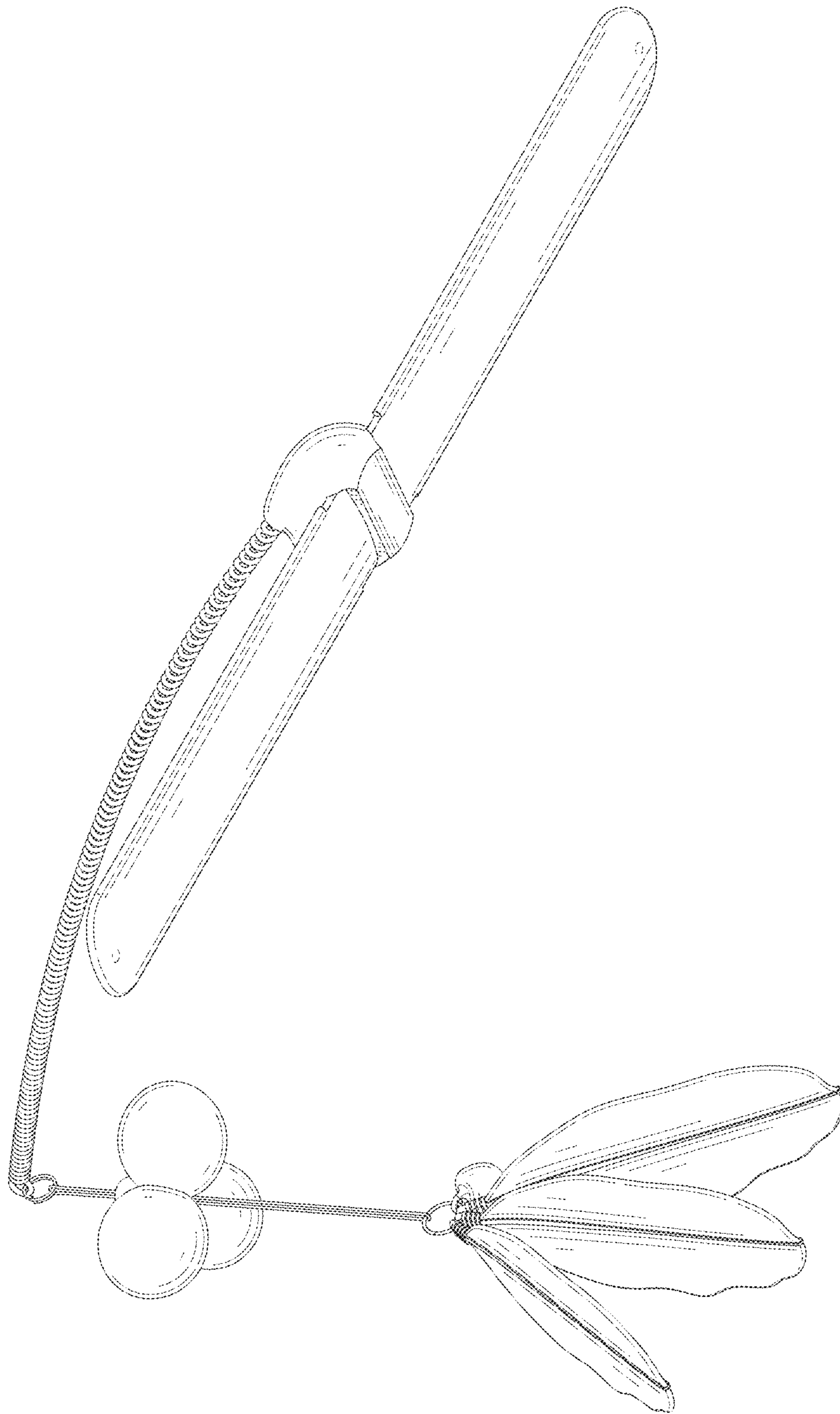


FIG. 2

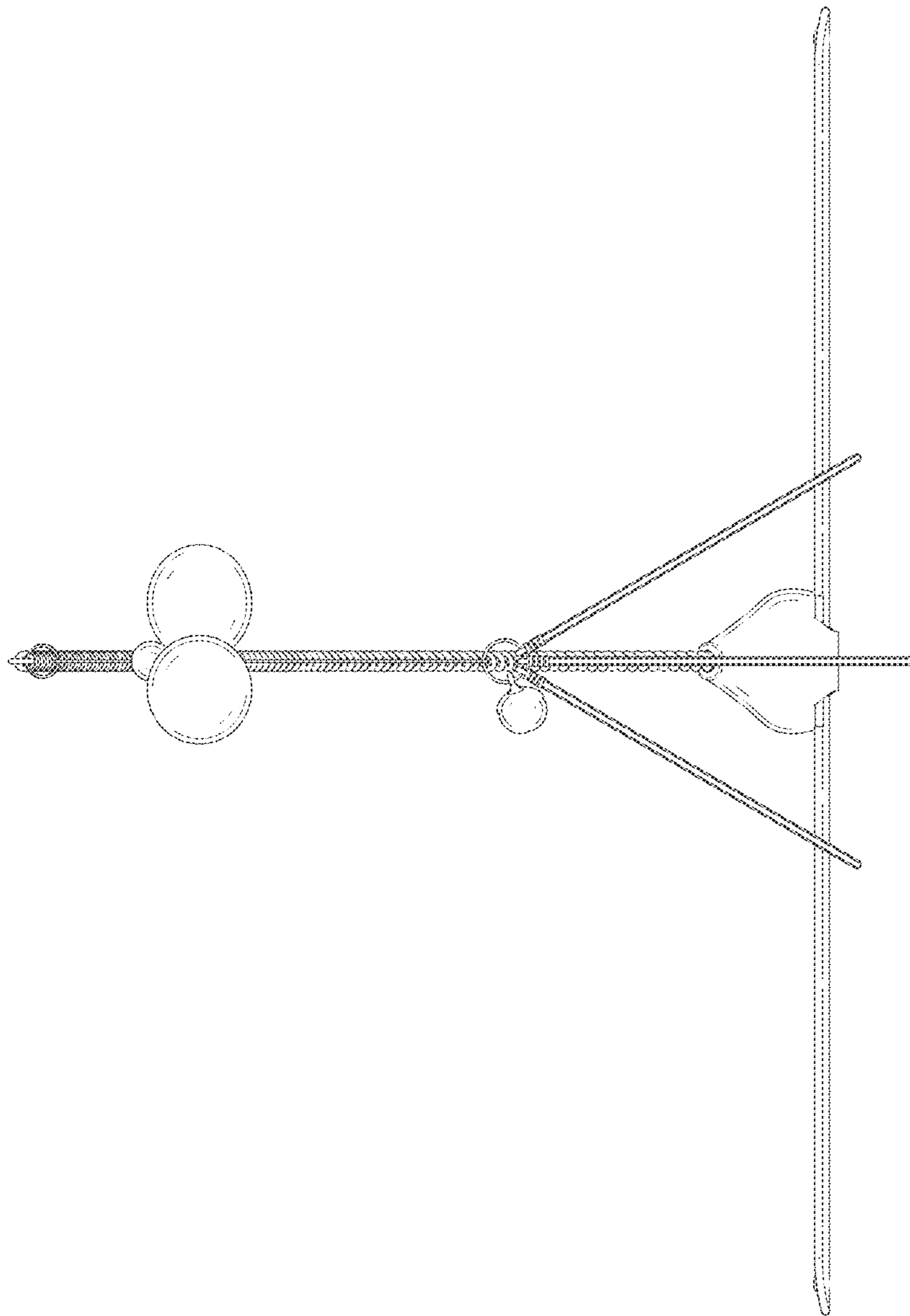


FIG. 3

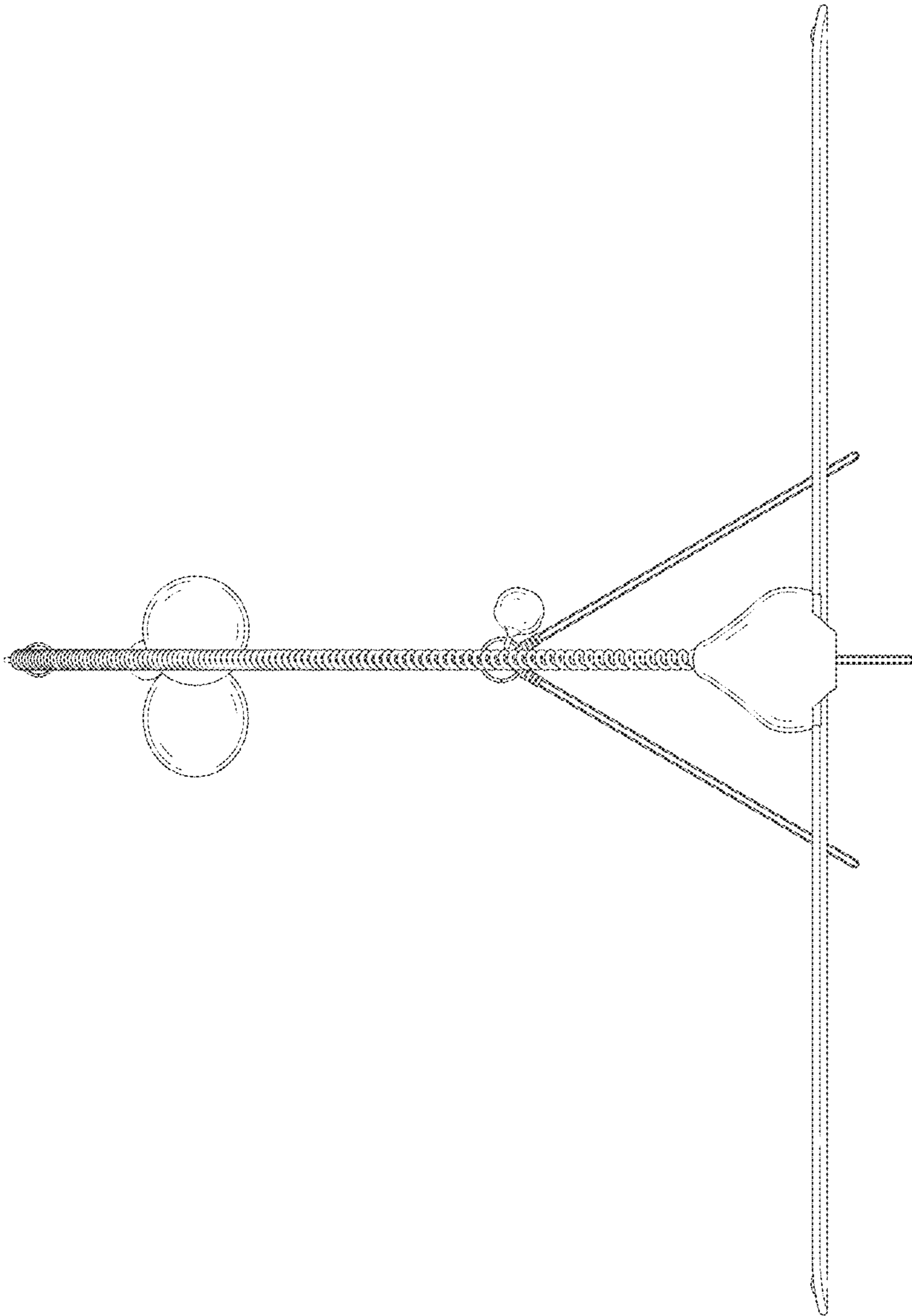


FIG. 4

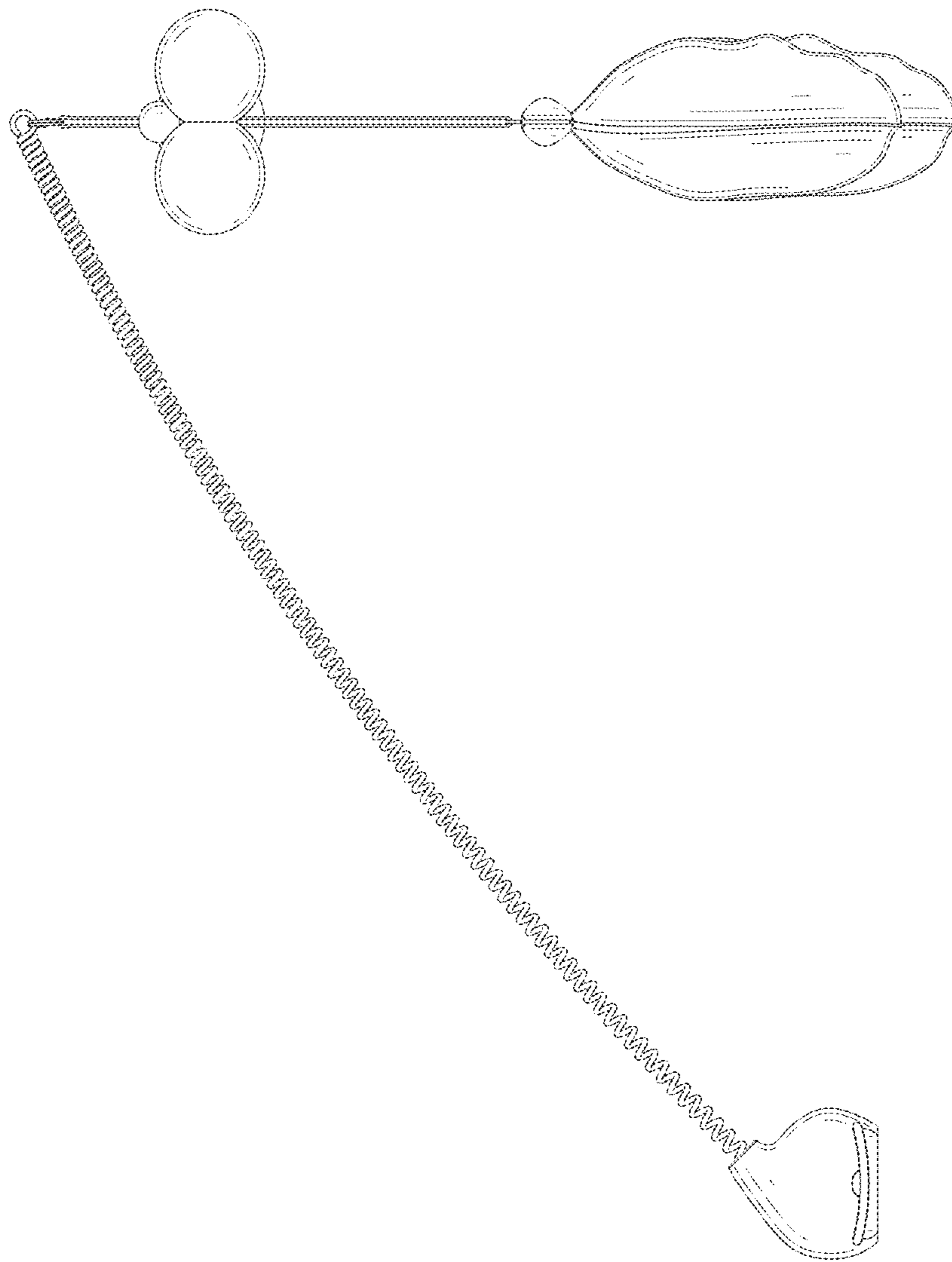


FIG. 5

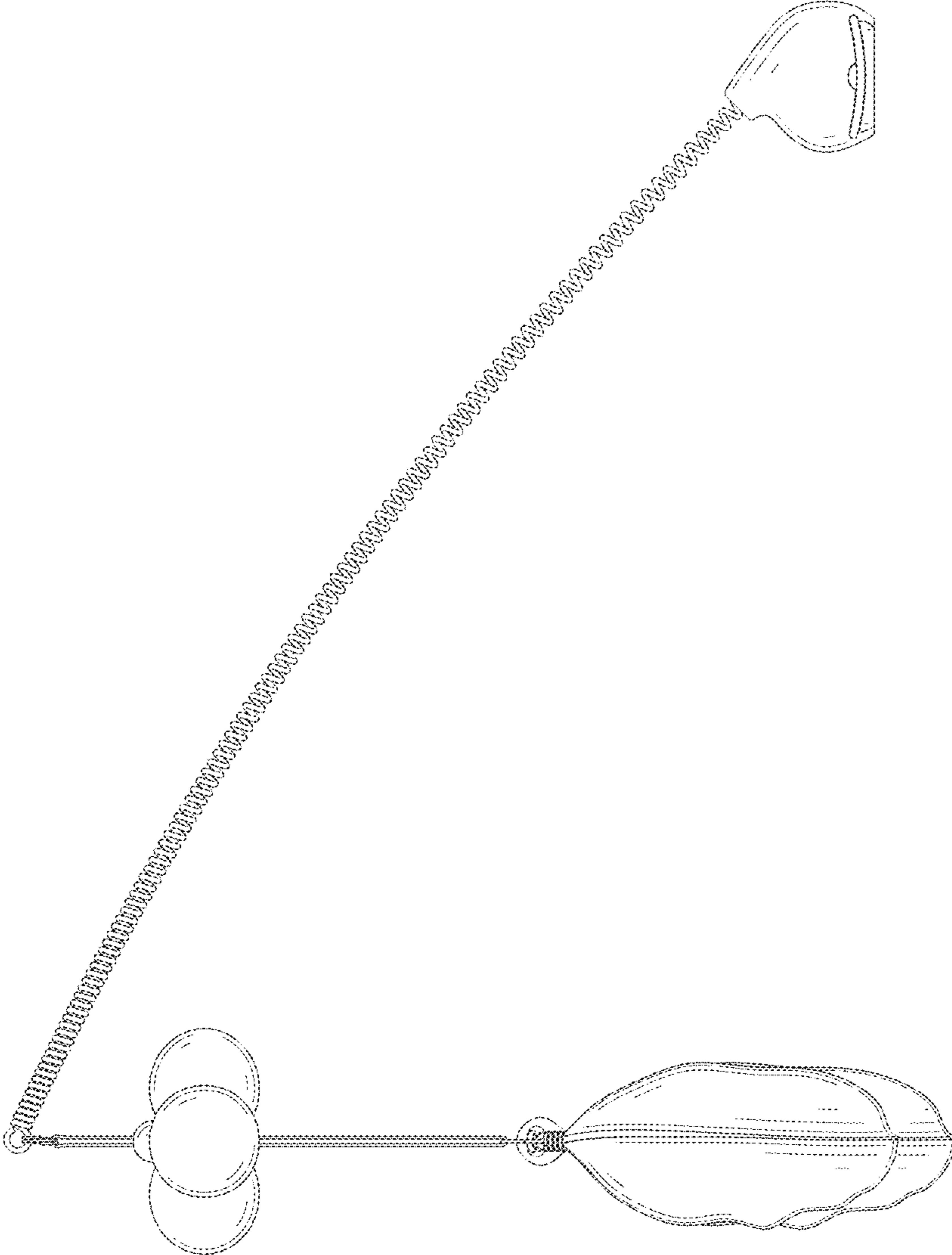


FIG. 6

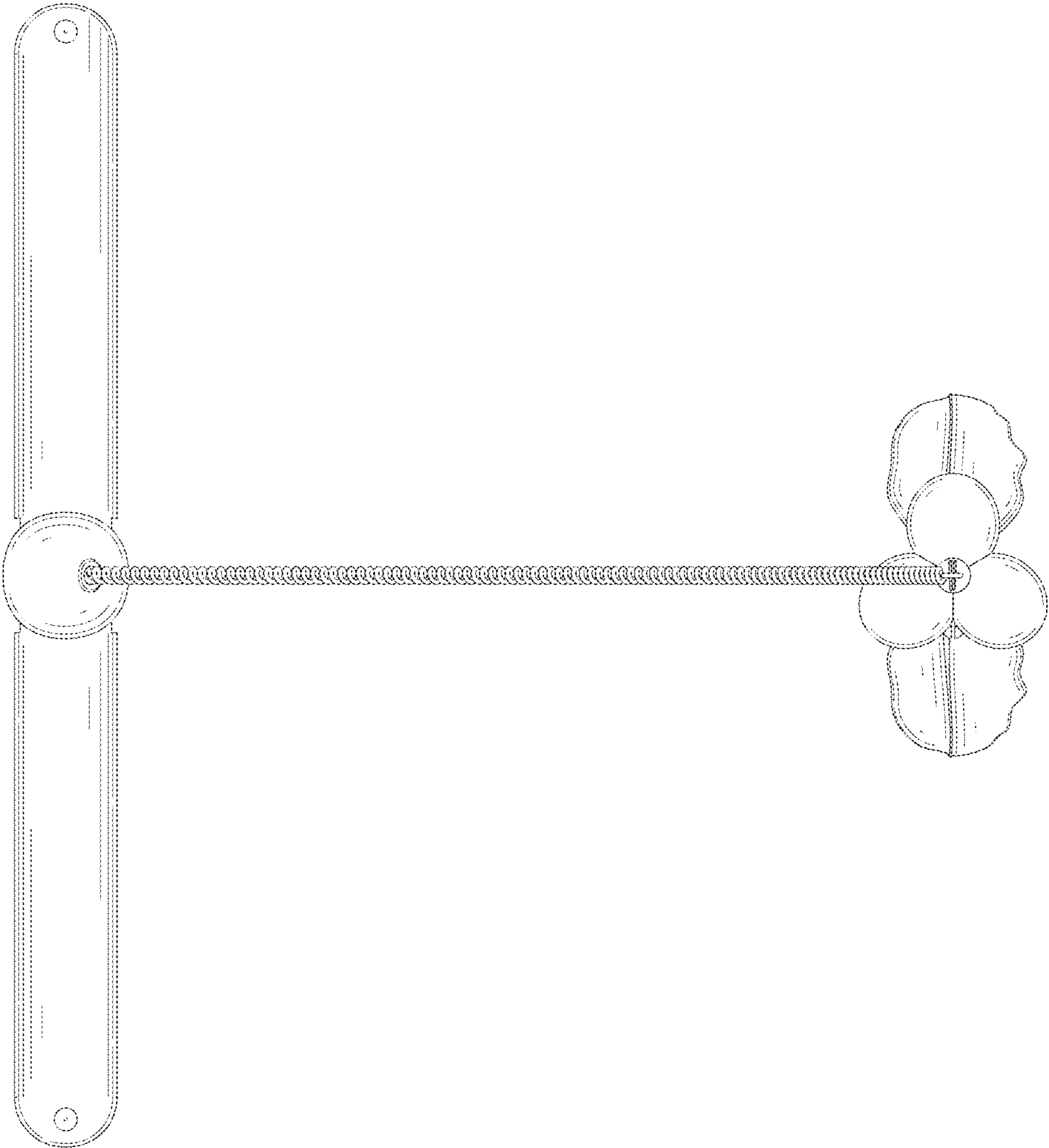


FIG. 7

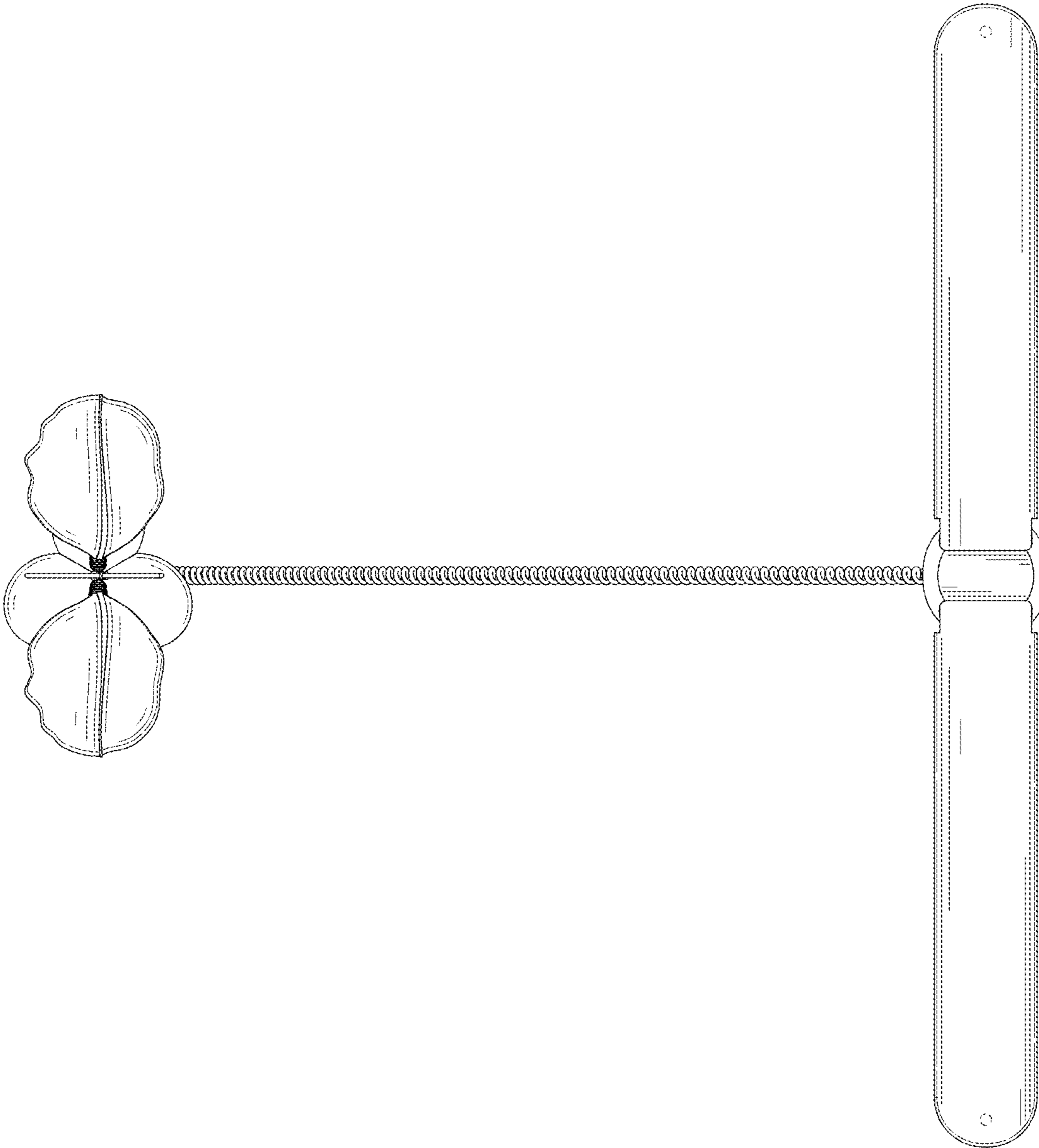


FIG. 8

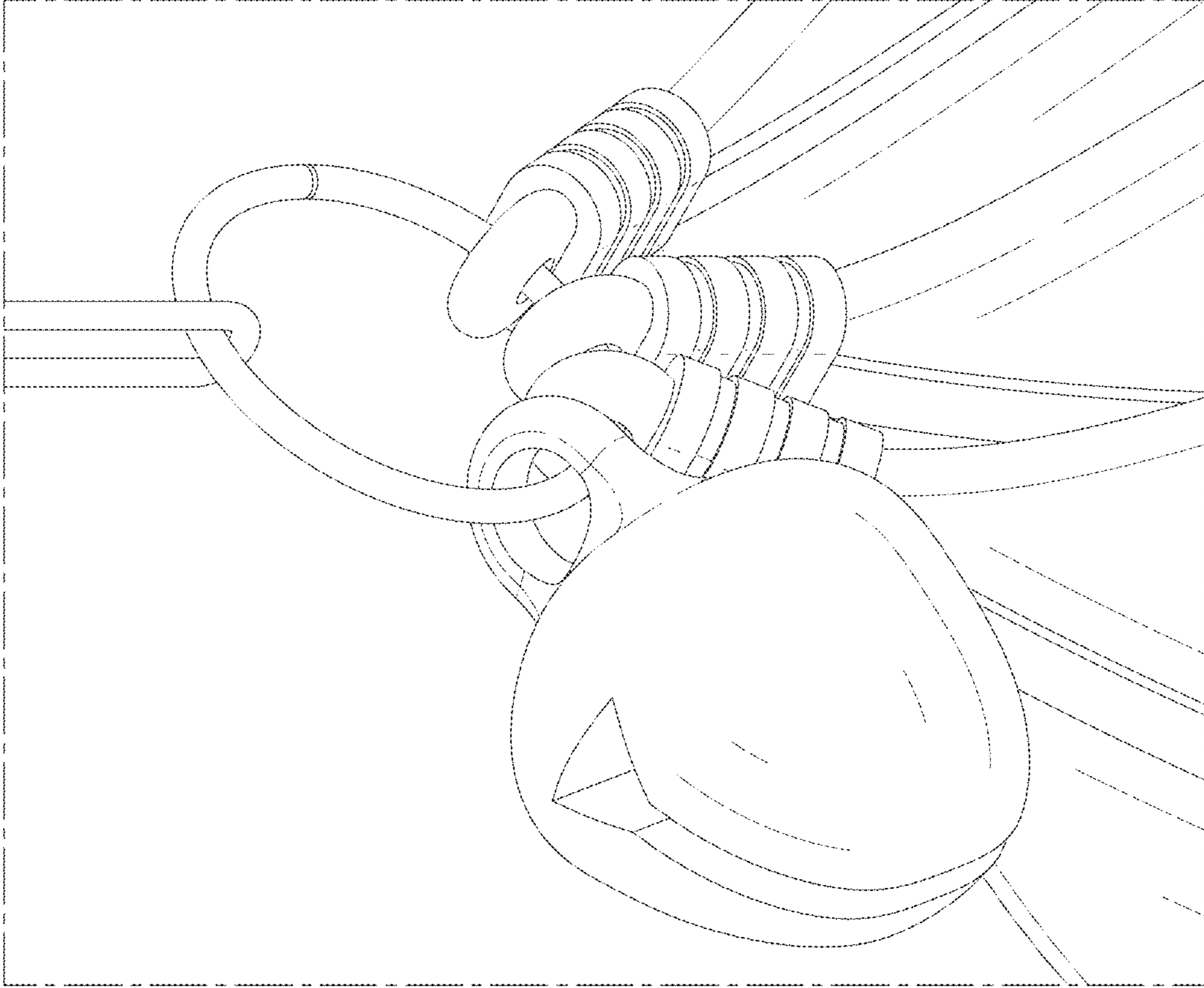


FIG. 9

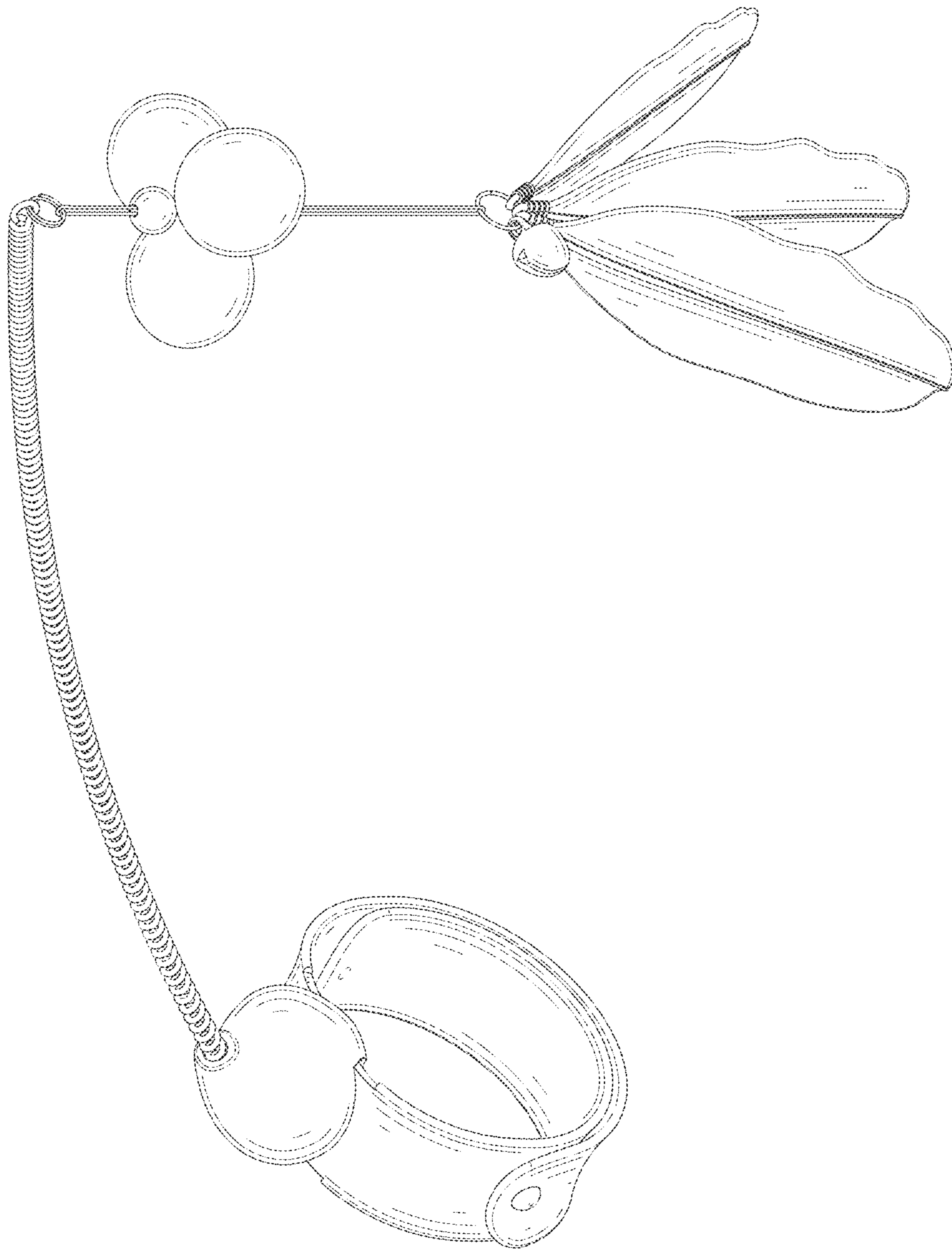


FIG. 10