



US00D983465S

(12) **United States Design Patent** (10) **Patent No.:** **US D983,465 S**  
**Li** (45) **Date of Patent:** **\*\* Apr. 11, 2023**

(54) **LEASH HOUSING**  
(71) Applicant: **Yiwu Wangxingyu Pet Products Co., Ltd., Yiwu (CN)**  
(72) Inventor: **Xiaohong Li, Pujiang (CN)**  
(73) Assignee: **Yiwu Wangxingyu Pet Products Co., Ltd., Yiwu (CN)**

D770,693 S 11/2016 Zhu et al.  
D828,649 S \* 9/2018 Schmidt ..... D30/153  
D829,389 S \* 9/2018 Lan ..... D30/153  
D886,396 S \* 6/2020 Xu ..... D30/153  
D925,841 S \* 7/2021 Zhou ..... D30/153  
D947,467 S \* 3/2022 Dai ..... D30/153

(Continued)

(\*\*) Term: **15 Years**  
(21) Appl. No.: **29/816,922**

**FOREIGN PATENT DOCUMENTS**

CN 305334143 \* 9/2019  
CN 306212382 \* 12/2020  
CN 306859216 \* 9/2021

(22) Filed: **Nov. 26, 2021**  
(51) **LOC (14) Cl.** ..... **30-04**  
(52) **U.S. Cl.**  
USPC ..... **D30/153**  
(58) **Field of Classification Search**  
USPC ..... D10/72; D30/145, 152, 153  
CPC ..... A01K 25/00; A01K 27/00; A01K 27/001;  
A01K 27/002; A01K 27/003; A01K  
27/004; A01K 27/005  
See application file for complete search history.

**OTHER PUBLICATIONS**

Retractable Dog Leash with LED Flashlight, available in Amazon.com, date first available Oct. 18, 2021 [online], [site visited Jul. 22, 2022], Available from the internet URL: <https://www.amazon.com/Retractable-Leash-Flashlight-Small-Medium/dp/B09JNRQ6TH> (Year: 2021).\*

(Continued)

*Primary Examiner* — Vy N Koenig  
*Assistant Examiner* — Elizabeth Anne Glassberg  
(74) *Attorney, Agent, or Firm* — Shen Huang

(56) **References Cited**  
**U.S. PATENT DOCUMENTS**

D351,264 S \* 10/1994 Stout ..... D30/153  
D379,689 S \* 6/1997 Levine ..... D30/153  
D392,429 S \* 3/1998 Plewa ..... D30/153  
D410,117 S \* 5/1999 Ball ..... D30/153  
D453,386 S \* 2/2002 Philipson ..... D26/38  
6,925,967 B1 \* 8/2005 Woodruff ..... A01K 27/004  
119/796  
D573,314 S 7/2008 Plewa  
D610,752 S \* 2/2010 Roediger ..... D30/153  
D638,998 S \* 5/2011 Kaneko ..... D30/153  
D642,748 S \* 8/2011 Merlin ..... D30/153  
D644,382 S 8/2011 Kaneko  
D650,102 S \* 12/2011 Pearson ..... D26/50  
D670,871 S \* 11/2012 Desberg ..... D30/153  
D711,054 S 8/2014 Schmidt  
D762,018 S 7/2016 Schmidt

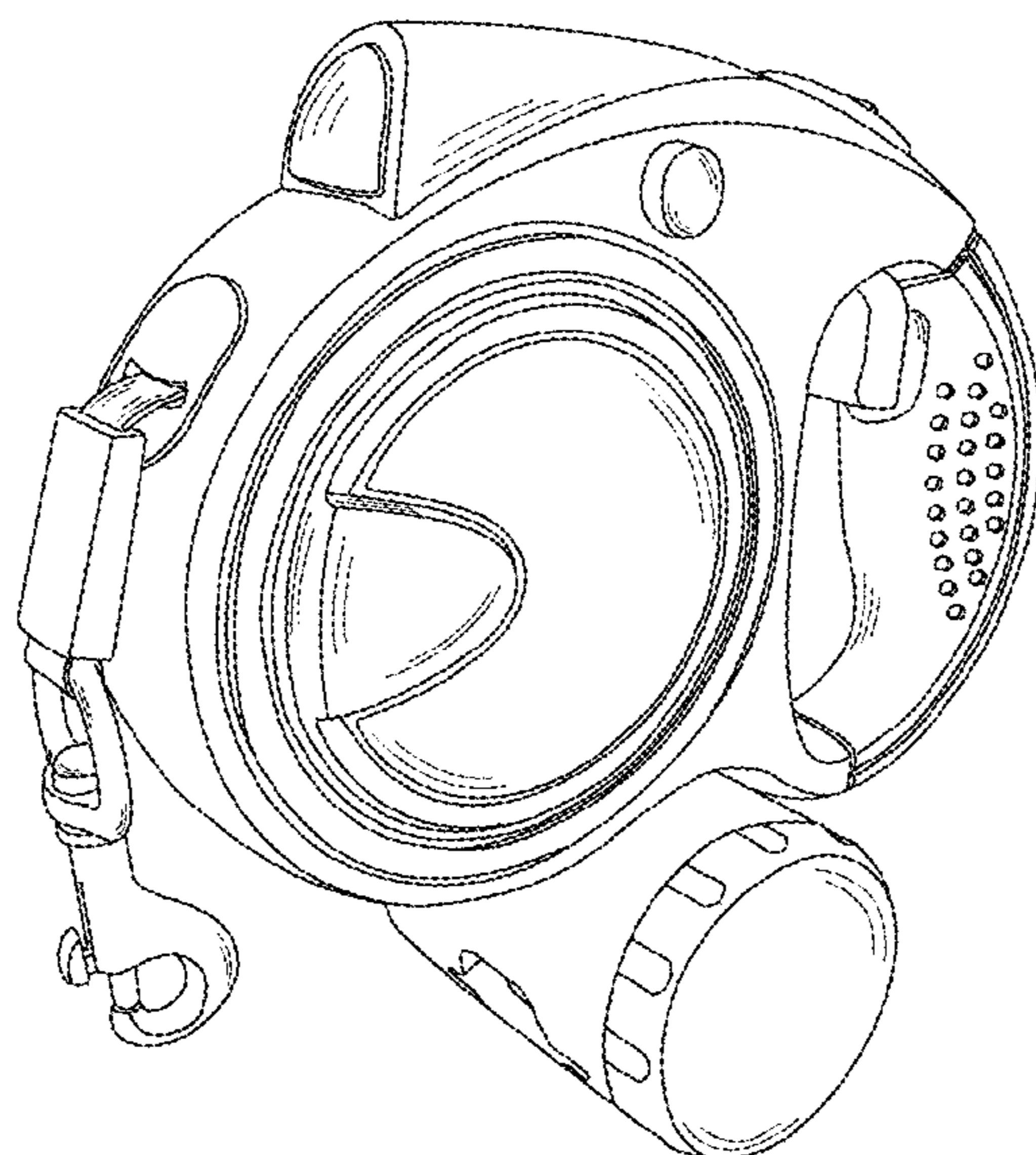
(57) **CLAIM**

The ornamental design for a leash housing, as shown and described.

**DESCRIPTION**

FIG. 1 is a perspective view of a leash housing, showing my new design;  
FIG. 2 is a front elevation view thereof;  
FIG. 3 is a rear elevation view thereof;  
FIG. 4 is a left side elevation view thereof;  
FIG. 5 is a right side elevation view thereof;  
FIG. 6 is a top plan view thereof; and,  
FIG. 7 is a bottom plan view thereof.

**1 Claim, 7 Drawing Sheets**



(56)

**References Cited**

U.S. PATENT DOCUMENTS

D957,755 S \* 7/2022 Neal ..... D30/153  
2006/0162675 A1\* 7/2006 Ghalebi ..... A01K 27/006  
119/796  
2012/0137978 A1\* 6/2012 McBounds ..... A01K 27/004  
119/796  
2019/0387716 A1\* 12/2019 Chen ..... A01K 27/004  
2020/0267937 A1\* 8/2020 Pagan ..... B65H 75/4431

OTHER PUBLICATIONS

Supet Retractable Dog Leash with LED Flashlight, available in Amazon.com, date first available Aug. 9, 2021 [online], [site visited Jul. 22, 2022], Available from the internet URL: <https://www.amazon.com/Supet-Retractable-Flashlight-360%B0Tanale-Free-Dispenser/dp/B09C63724B?th=1> (Year: 2021).\*

\* cited by examiner

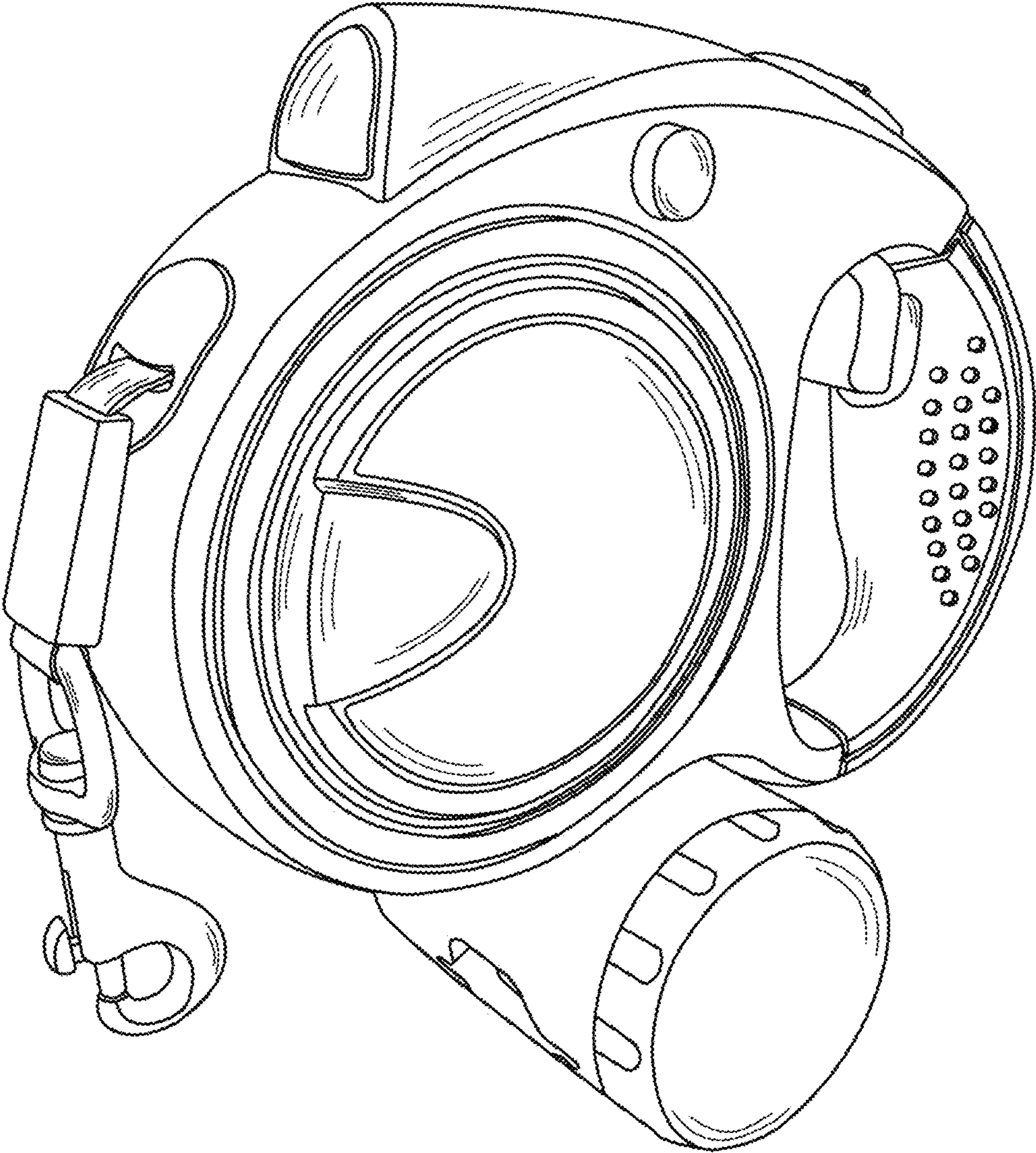


FIG. 1

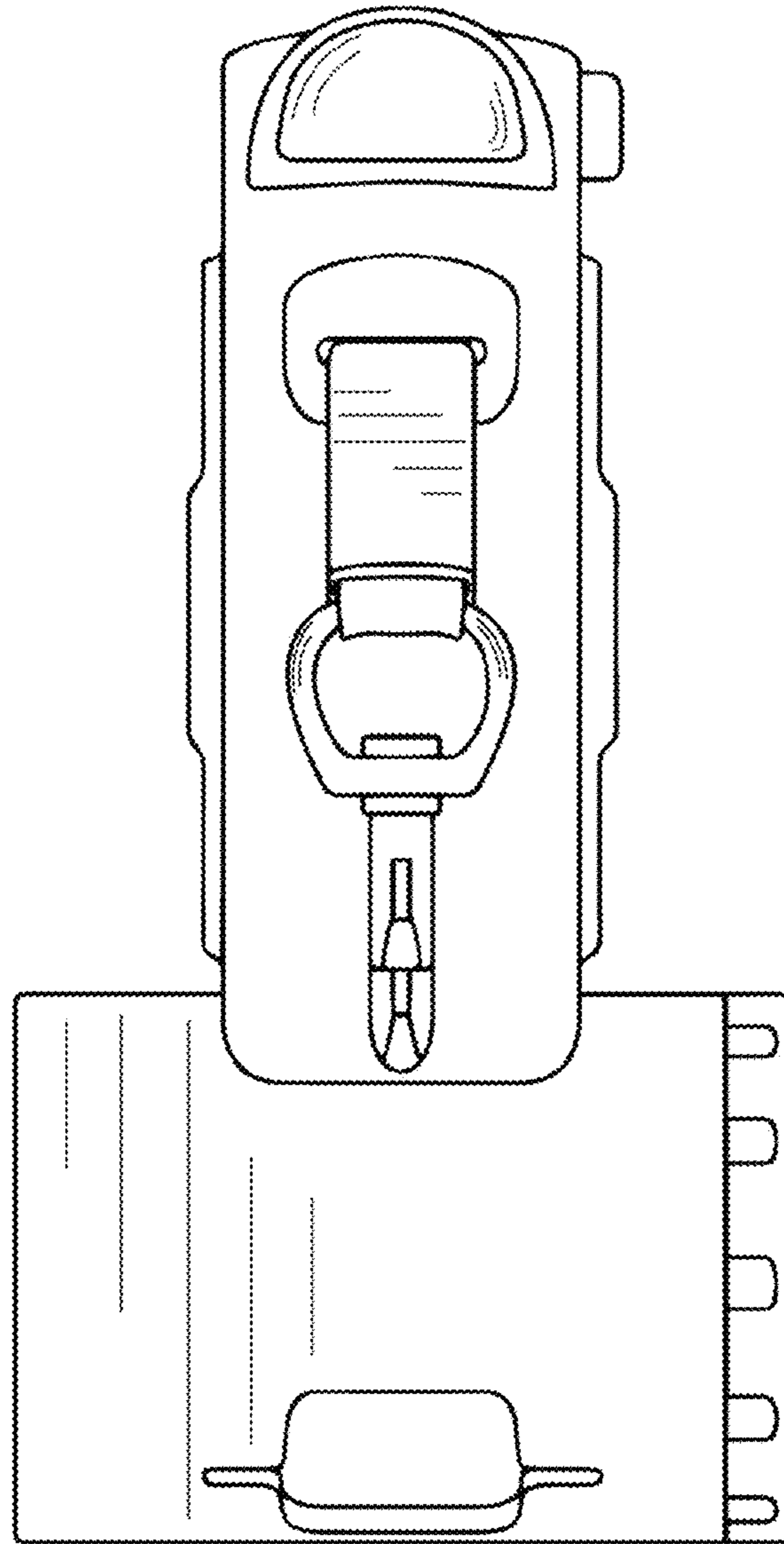


FIG. 2

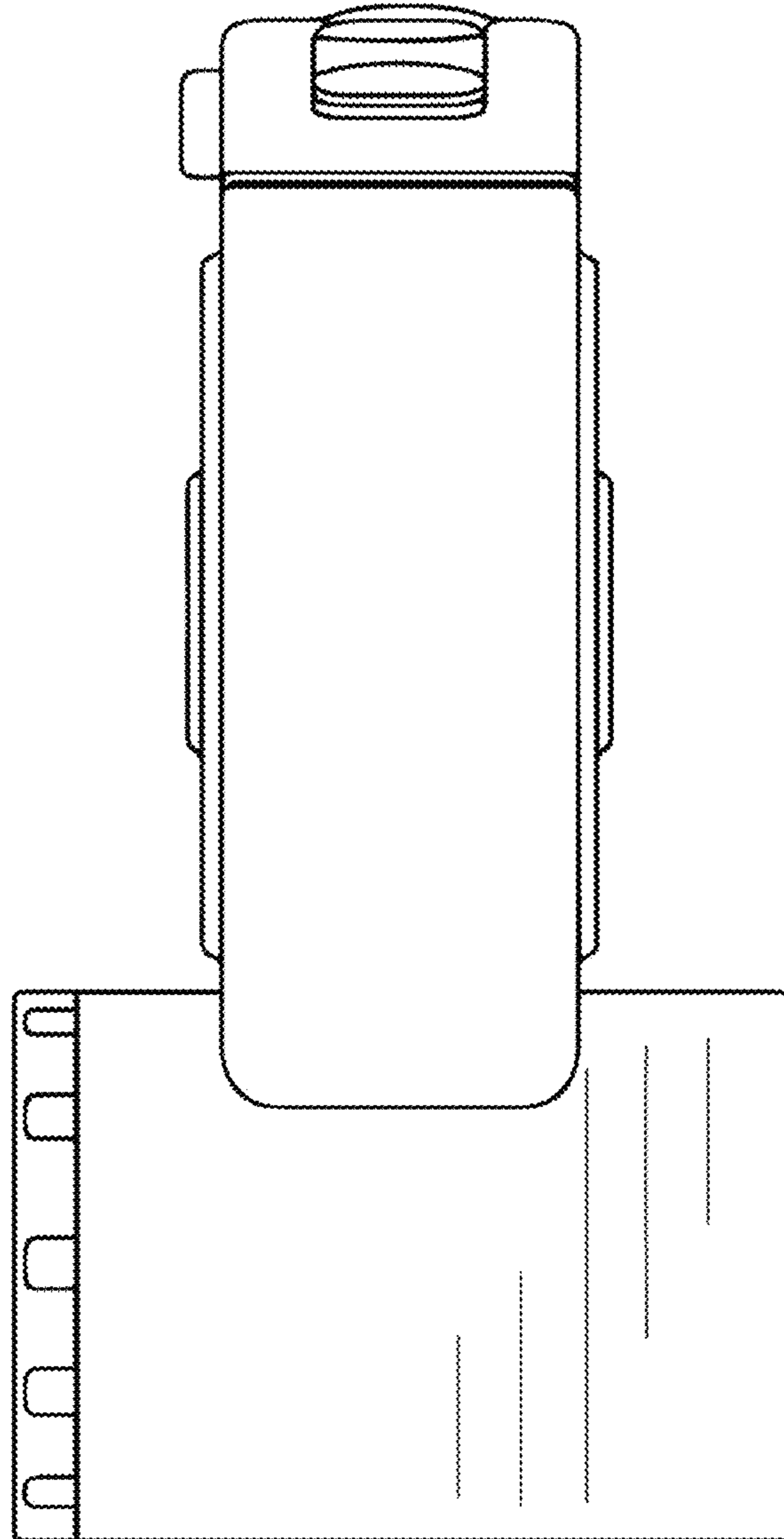


FIG. 3

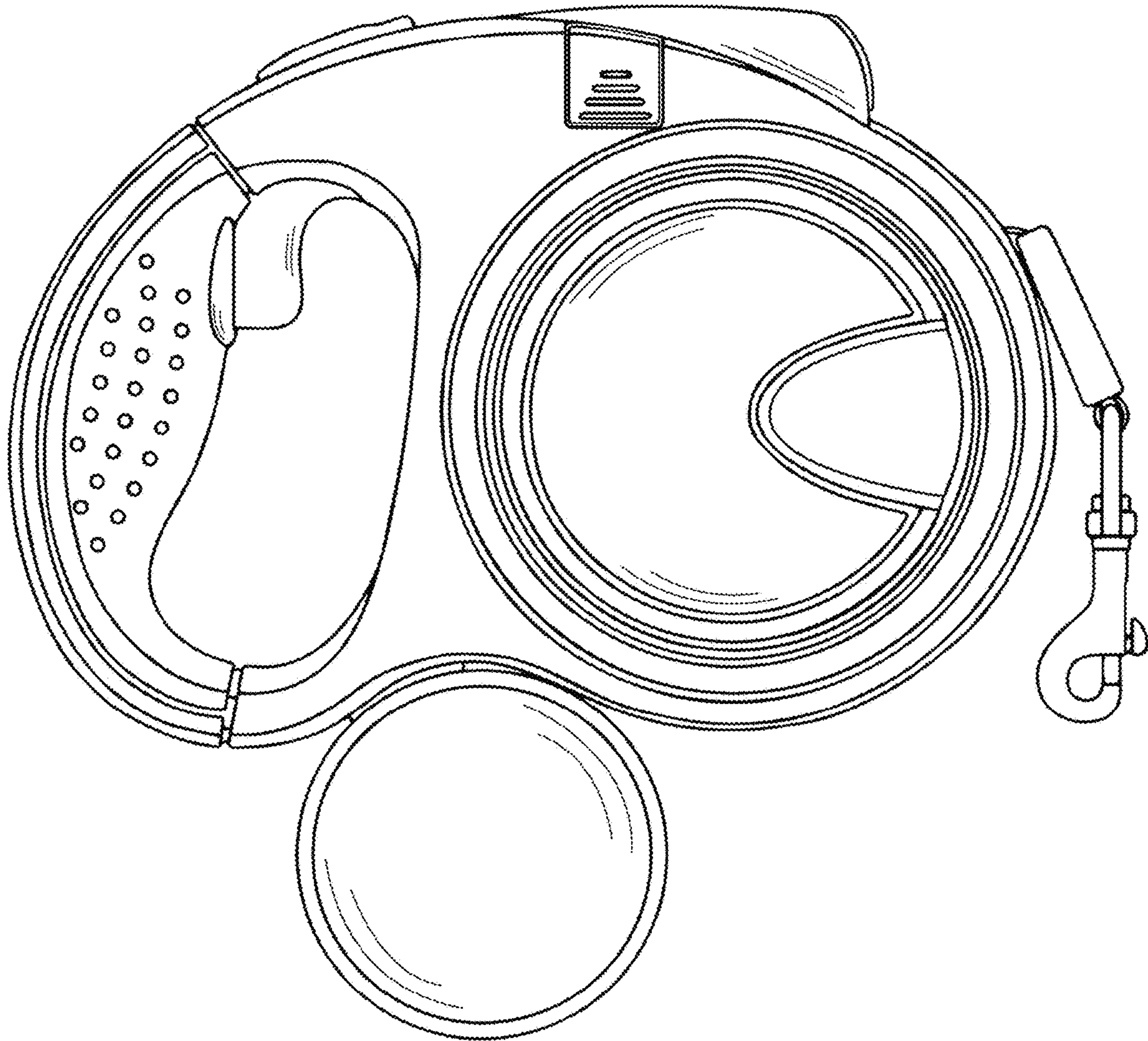


FIG. 4

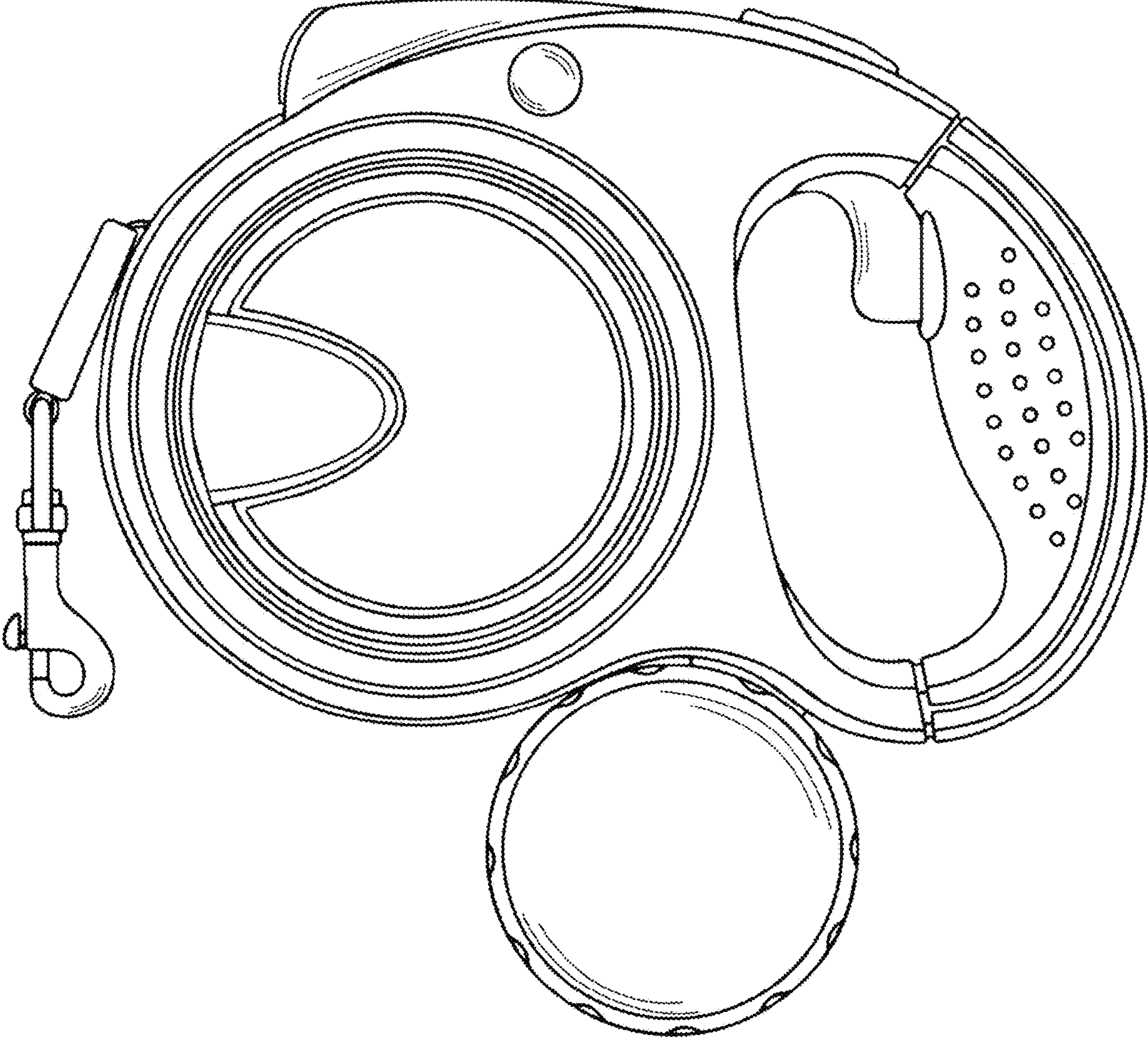


FIG. 5

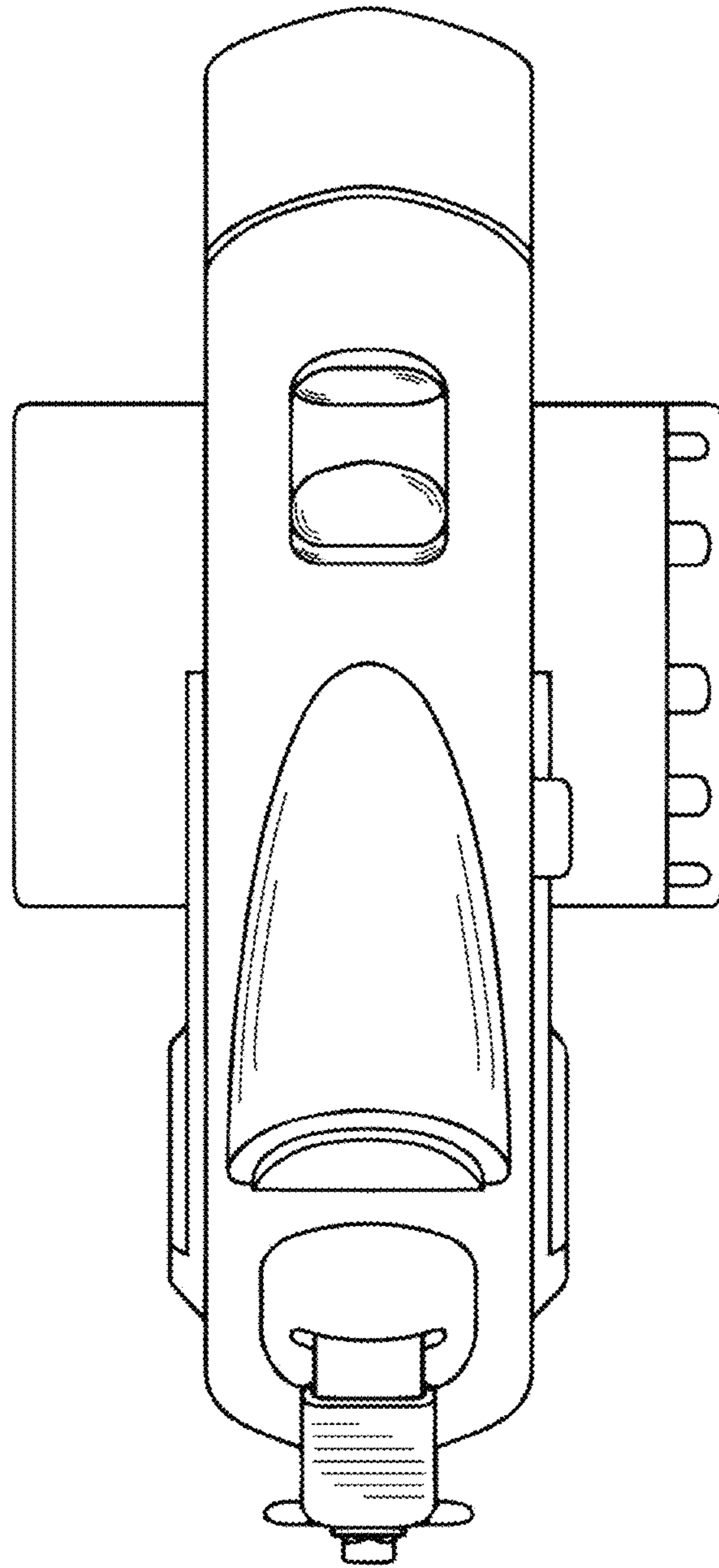


FIG. 6



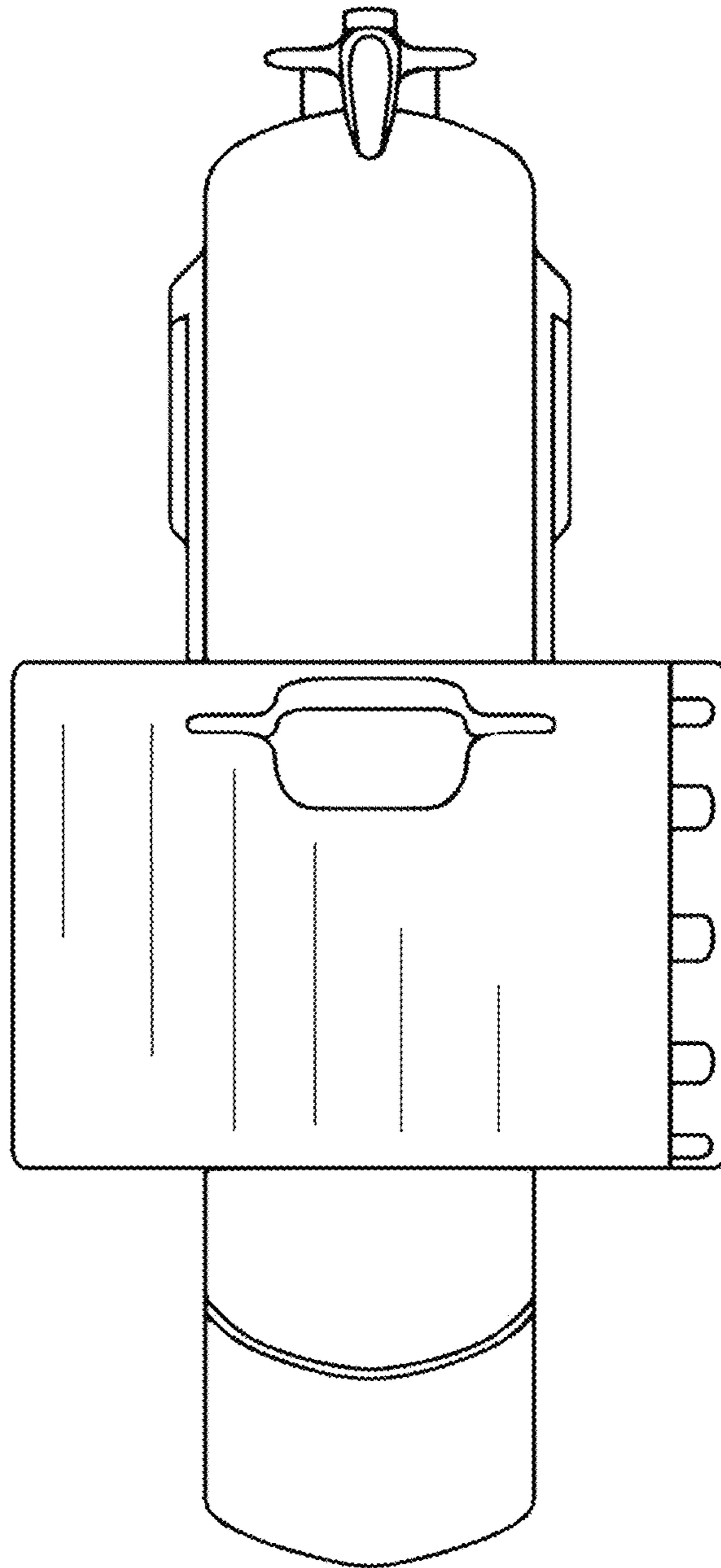


FIG. 7