



US00D983463S

(12) **United States Design Patent**
Chen

(10) **Patent No.:** **US D983,463 S**

(45) **Date of Patent:** **** Apr. 11, 2023**

(54) **PET FEEDER**

(71) Applicant: **Fuzhou Boweier Trading Co., Ltd.**,
Fujian (CN)

(72) Inventor: **Bo Chen**, Fujian (CN)

(73) Assignee: **Fuzhou Boweier Trading Co., Ltd.**,
Fuzhou (CN)

(**) Term: **15 Years**

(21) Appl. No.: **29/868,852**

(22) Filed: **Dec. 14, 2022**

(51) **LOC (14) Cl.** **30-07**

(52) **U.S. Cl.**
USPC **D30/122**

(58) **Field of Classification Search**
USPC D30/121, 122, 129–133, 120; 119/61.5,
119/51.01, 61.56, 51.03, 59, 62, 63, 51.5,
119/57.8, 74, 61.54, 61.55, 53, 53.5, 75,
119/56.2, 51.02, 51.11, 51.12, 57.1, 52.1,
119/515; 312/204; 248/151, 188;
108/156, 153.1–157; 220/23.87, 630,
220/737, 743, 9.4, 495.01, 574, 212, 255,
220/23.83; 206/515; D7/586, 543,
D7/550.1, 587, 505, 584, 545, 500,
D7/553.1–553.8, 546, 555, 556, 504, 565,
D7/562, 602, 605, 312, 313, 320, 307,
D7/306, 309, 354, 311, 399, 397, 323,
D7/332, 331, 347, 346, 322, 318, 317,
D7/316, 619.1; D9/429; 43/109;
D22/122; 99/430, DIG. 15, 280, 285,
99/312; 222/209, 131, 363, 349, 517,
222/153.13, 401, 1, 146.5, 23, 54, 64, 51,
222/156, 399, 400.8; 219/438, 439, 441,
219/385, 386, 402, 407; 210/94, 184,
210/474, 477
CPC A01K 5/02; A01K 5/0225; A01K 5/0114;
A01K 5/025; A01K 5/0266; A01K
5/0275; A01K 5/0283; A01K 5/0291;
A01K 5/0258; A01K 5/0142; A01K

5/0233; A01K 29/00; A01K 7/00; G01F
11/24; G01F 23/02; B67D 1/0425; B67D
1/04; B67D 1/00; B67D 1/02; B67D
1/0871; B67D 1/0802; A47J 41/0033;
A47J 41/005; A47J 41/0088; A47J
41/0094; A47J 31/04; A47J 31/053; B05B
11/00; B05B 11/0002; B05B 11/0005;
B05B 11/001; C02F 1/003; C02F 1/283;
C02F 2307/02

See application file for complete search history.

(56) **References Cited**

U.S. PATENT DOCUMENTS

3,340,851 A * 9/1967 Frank A01K 5/0291
119/51.13
3,730,141 A * 5/1973 Manning G06V 10/20
119/51.5
4,034,715 A * 7/1977 Amer A01K 5/0225
119/51.5
4,279,221 A * 7/1981 Arvizu A01K 5/0291
119/51.11

(Continued)

Primary Examiner — Susan Moon Lee

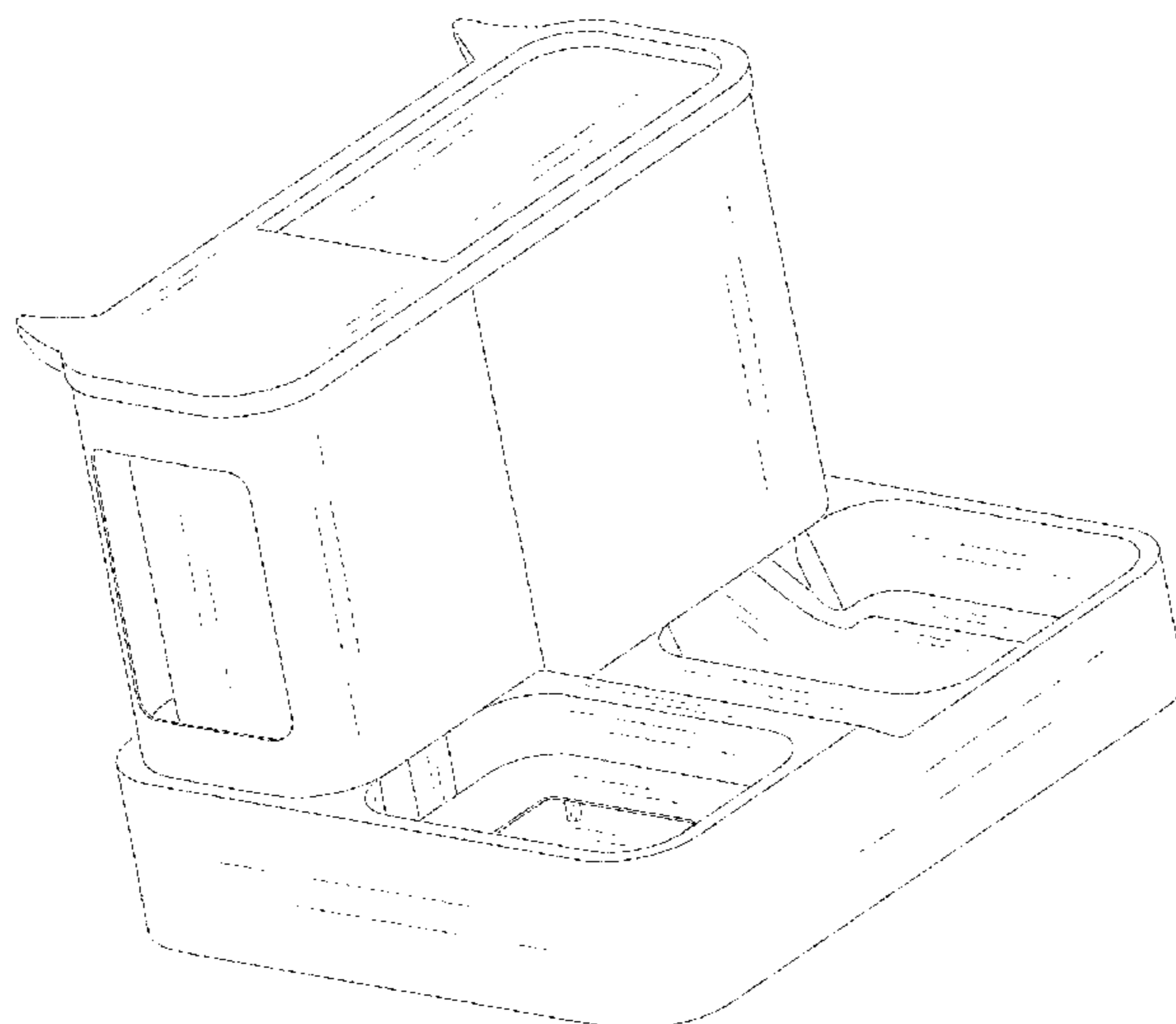
(57) **CLAIM**

The ornamental design for a pet feeder, as shown and described.

DESCRIPTION

FIG. 1 is a top, front, left side perspective view of a pet feeder, showing my new design;
FIG. 2 is a bottom side perspective view thereof;
FIG. 3 is a front elevational view thereof;
FIG. 4 is a back elevational view thereof;
FIG. 5 is a left side elevational view thereof;
FIG. 6 is a right side elevational view thereof;
FIG. 7 is a top plan view thereof; and,
FIG. 8 is a bottom plan view thereof.

1 Claim, 8 Drawing Sheets



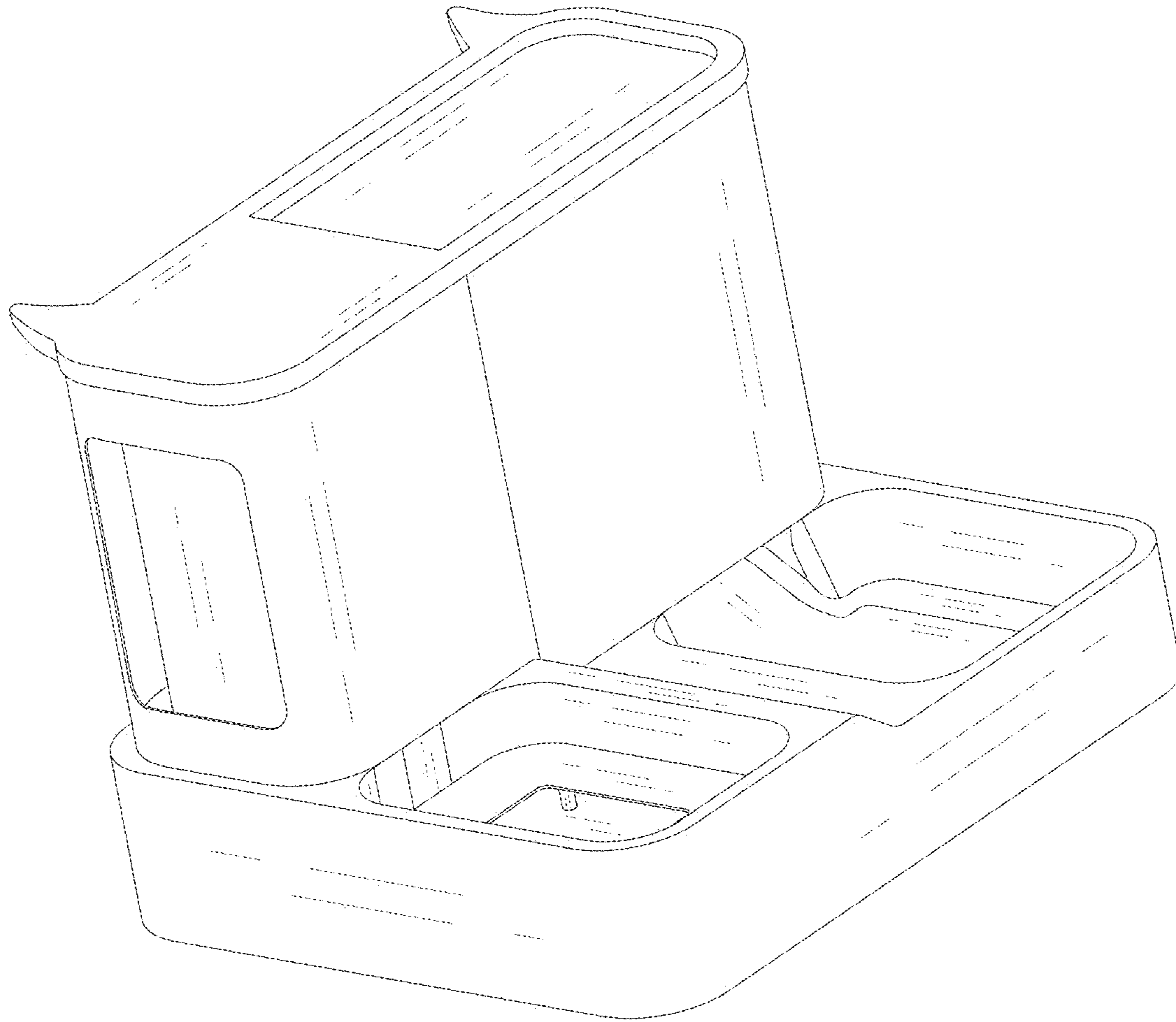


FIG. 1

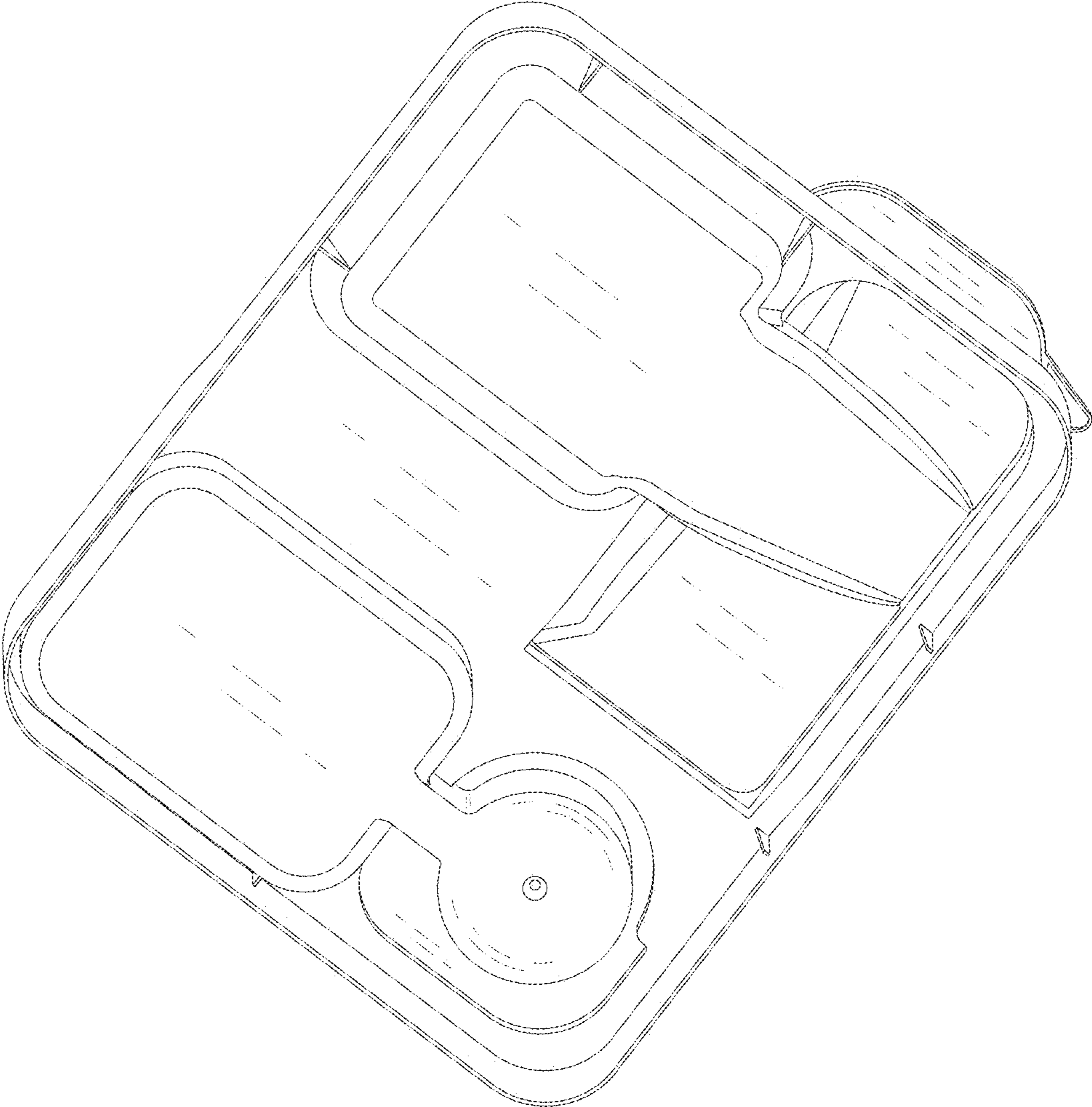


FIG. 2

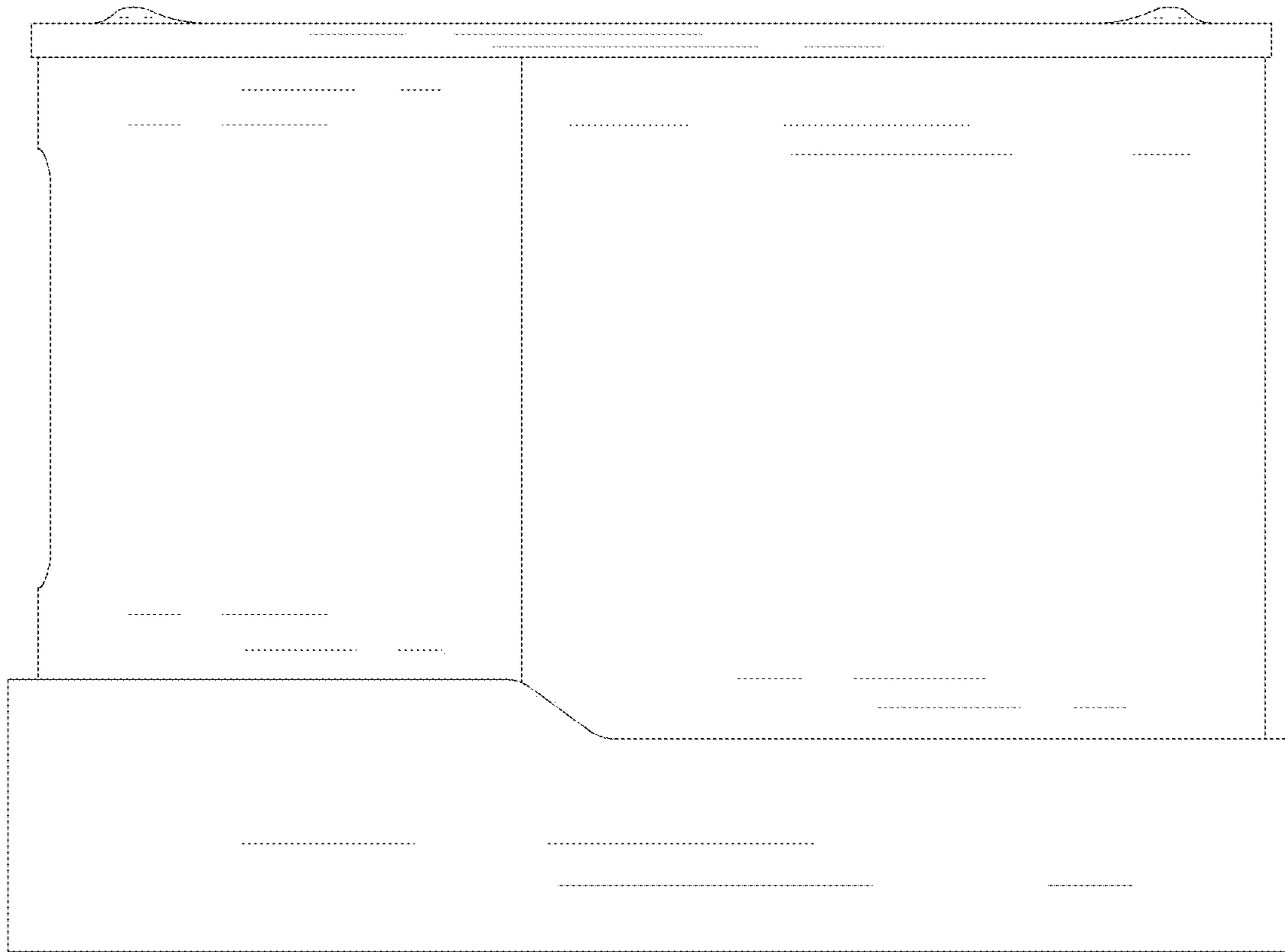


FIG. 3

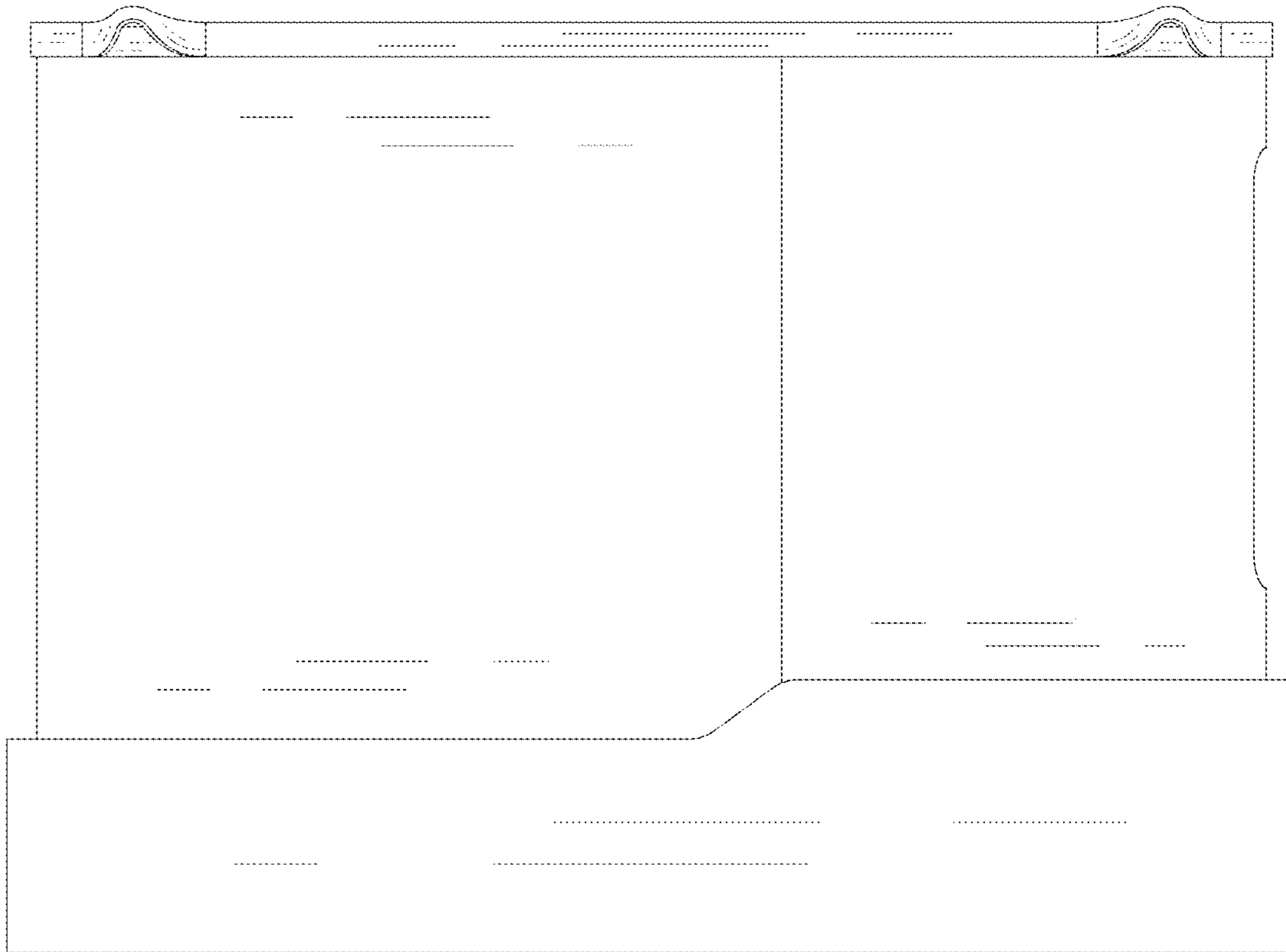


FIG. 4

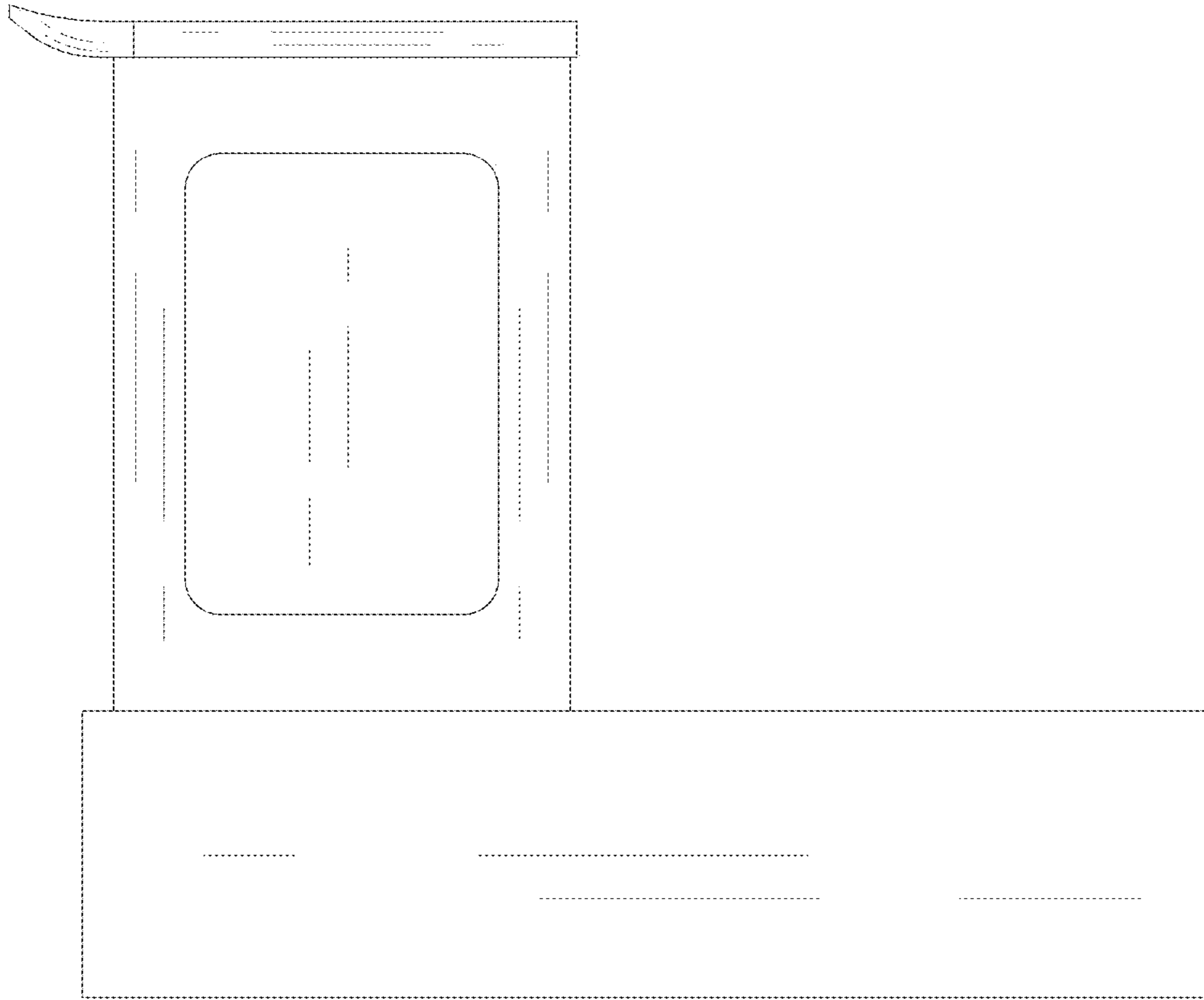


FIG. 5

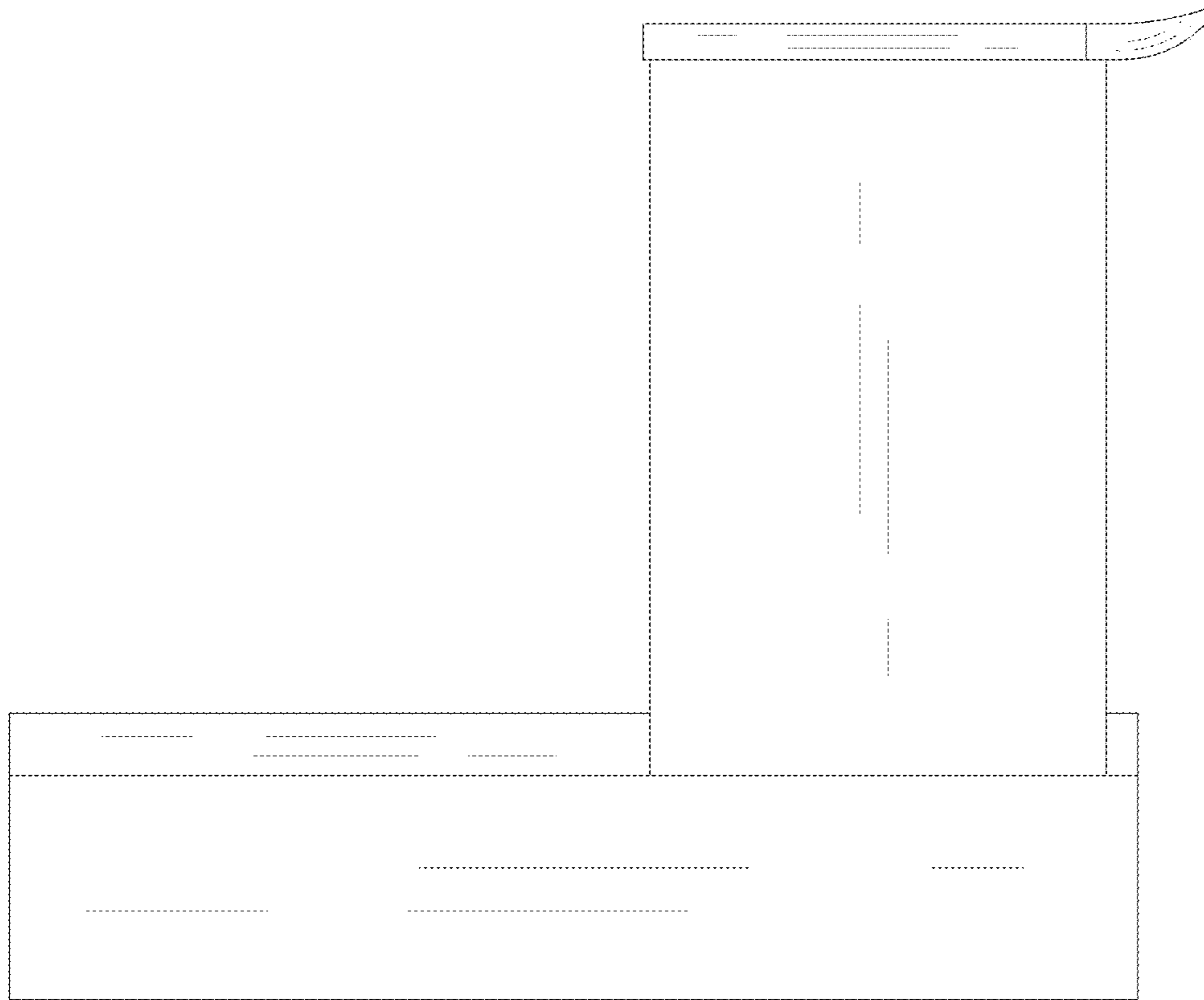


FIG. 6

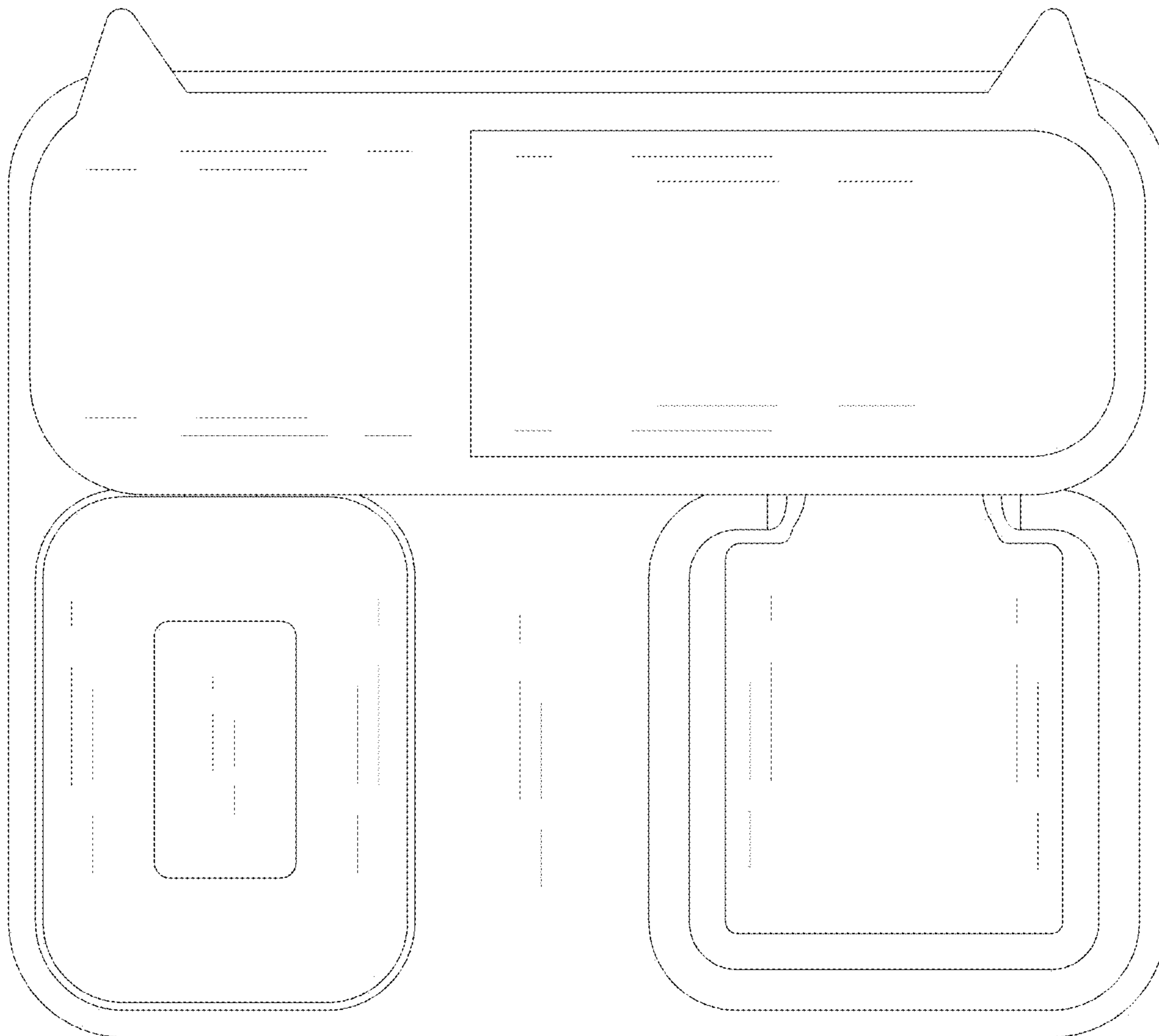


FIG. 7

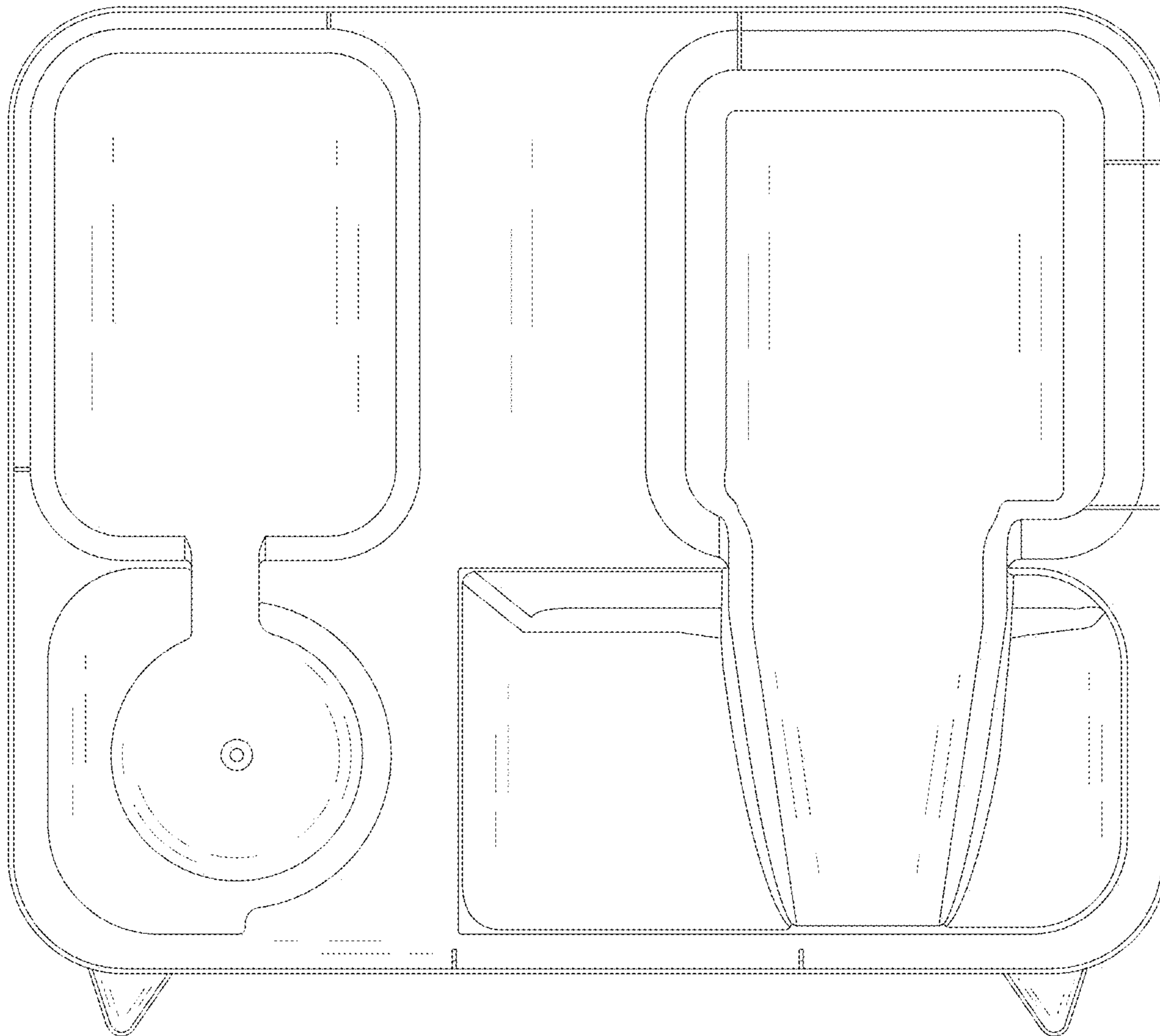


FIG. 8