



US00D983459S

(12) **United States Design Patent**
Jones et al.

(10) **Patent No.:** **US D983,459 S**
(45) **Date of Patent:** **** Apr. 11, 2023**

- (54) **SAFETY GARMENT**
- (71) Applicant: **BLC Paws LLC**, Atlanta, GA (US)
- (72) Inventors: **Markley L Jones**, Atlanta, GA (US);
Matthew L Edwards, Sandy Springs, GA (US)
- (73) Assignee: **BLC Paws LLC**, Atlanta, GA (US)
- (**) Term: **15 Years**
- (21) Appl. No.: **29/785,654**
- (22) Filed: **May 26, 2021**
- (51) **LOC (14) Cl.** **02-02**
- (52) **U.S. Cl.**
USPC **D29/101.4**
- (58) **Field of Classification Search**
USPC D29/100, 101.1, 101.3, 101.4; D2/829
CPC A41D 1/002; A41D 1/005; A41D 1/04;
A41D 13/0012; A41D 13/01; A41D
13/0518; A41D 13/0593; A41D 27/085;
A41D 27/205; A41D 31/32; A41D
2300/20

See application file for complete search history.

(56) **References Cited**

U.S. PATENT DOCUMENTS

- D245,537 S * 8/1977 Gurgiolo D29/101.1
- 4,401,494 A * 8/1983 Pernicano B44C 1/1716
156/239
- D273,818 S * 5/1984 Spencer D3/227
- 5,690,411 A * 11/1997 Jackman G08B 5/006
362/108
- 6,517,214 B1 * 2/2003 Mitchell, Jr. A41D 13/01
362/240
- 6,558,016 B1 * 5/2003 Restauero B60Q 1/2673
362/108
- 6,820,280 B1 * 11/2004 Atallah A41D 1/04
2/102
- 6,991,343 B2 * 1/2006 Langley A41D 13/0518
362/108

- 7,265,970 B2 * 9/2007 Jordan G09F 21/02
361/679.27
- 7,377,663 B2 * 5/2008 Desjardin G08B 5/004
362/108
- D624,247 S * 9/2010 Thind D29/122
- 8,449,133 B2 * 5/2013 Winzer G08B 5/004
362/108
- D703,870 S * 4/2014 Bacquet D29/101.4

(Continued)

OTHER PUBLICATIONS

USB Rechargeable Class 3 LED Flashing Vest (on-line), dated Jun. 13, 2021. Retrieved from Internet Oct. 18, 2022, URL: <http://web.archive.org/web/20210613103846/https://www.safetyledivest.com/usb-rechargeable-class-3-led-flashing-vest.html> (3 pages)(Year: 2021).*

(Continued)

Primary Examiner — Kimberly Barnes

(74) *Attorney, Agent, or Firm* — Philip H. Burrus, IV

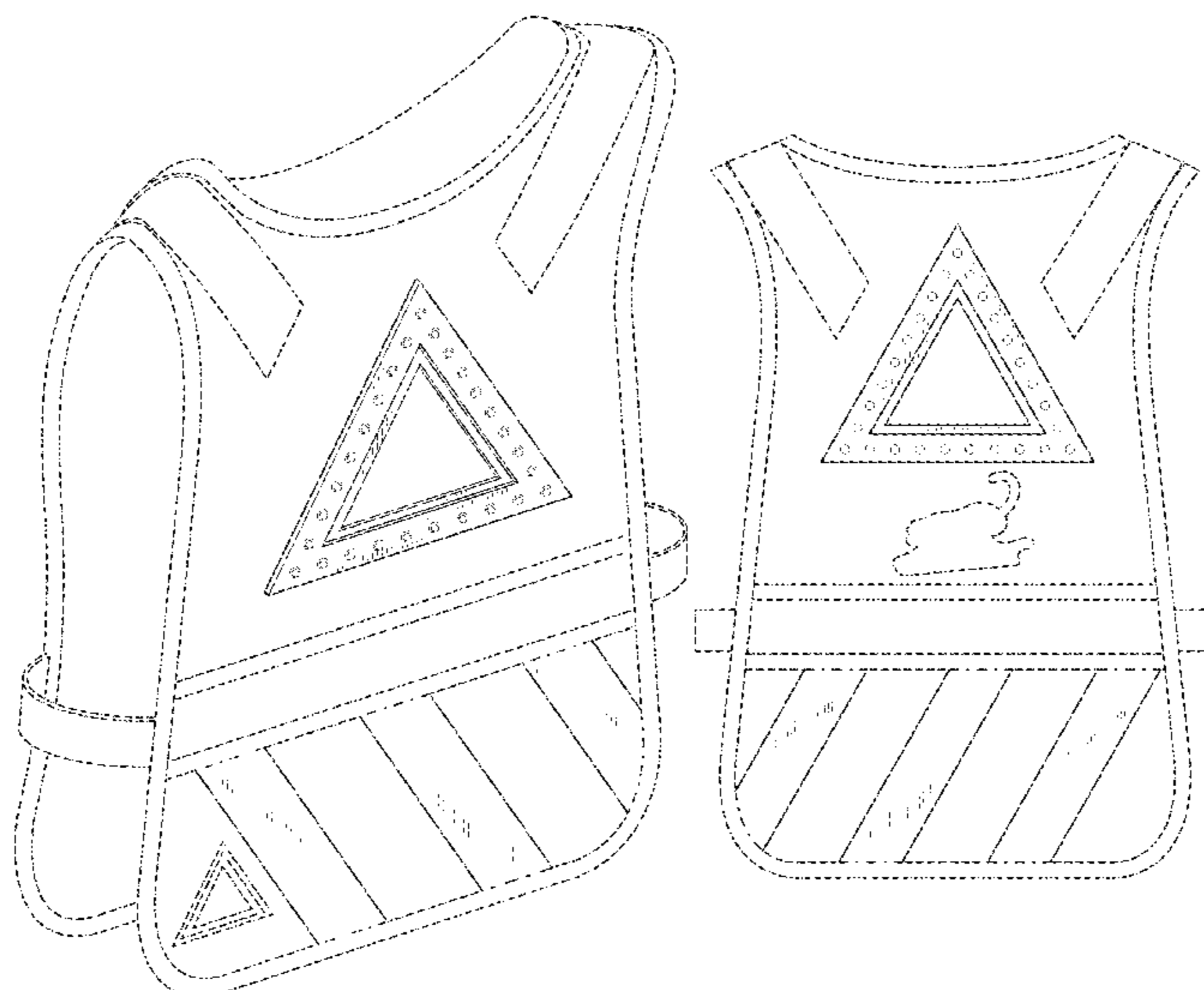
(57) **CLAIM**

The ornamental design for a safety garment, as shown and described.

DESCRIPTION

FIG. 1 is a perspective view of a safety garment, illustrating our new design;
FIG. 2 is a right side elevation view thereof;
FIG. 3 is a front elevation view thereof;
FIG. 4 is a left side elevation view thereof;
FIG. 5 is a rear elevation view thereof;
FIG. 6 is a top plan view thereof; and,
FIG. 7 is a bottom plan view thereof.
The evenly spaced dashed lines are included for the purpose of illustrating portions of the safety garment that form no part of the claimed design. The dot-dash broken lines represent the bounds of the claimed design and form no part of the claimed design.

1 Claim, 4 Drawing Sheets



(56)

References Cited

U.S. PATENT DOCUMENTS

9,004,712	B1 *	4/2015	Bass	G08B 5/36 362/108
D733,970	S	7/2015	Jones et al.	
D733,971	S	7/2015	Jones et al.	
D734,552	S	7/2015	Jones et al.	
9,139,131	B2 *	9/2015	Jones	B60Q 1/525
9,310,068	B1 *	4/2016	Mason	B62J 6/26
9,582,973	B2 *	2/2017	Leonard	G08B 5/004
D782,742	S *	3/2017	Felinski	D29/101.4
D824,110	S *	7/2018	Stevens	D29/101.4
D829,998	S *	10/2018	Groat	D29/101.4
D852,423	S *	6/2019	Pennington, Jr.	D29/100
D878,610	S *	3/2020	Boston	D29/101.1
D949,047	S *	4/2022	Gregory	D11/95
D957,740	S *	7/2022	Deutsch	D29/101.4
2006/0034064	A1 *	2/2006	Kanzler	A41D 13/01 362/108
2007/0291473	A1 *	12/2007	Traynor	G09F 21/02 362/225

OTHER PUBLICATIONS

Blcpaws LED Illuminated Safety Vest (on-line), no date available.
Retrieved from Internet Oct. 18, 2022, URL: <https://www.blcpaws.com/vest> (2 pages).*

* cited by examiner

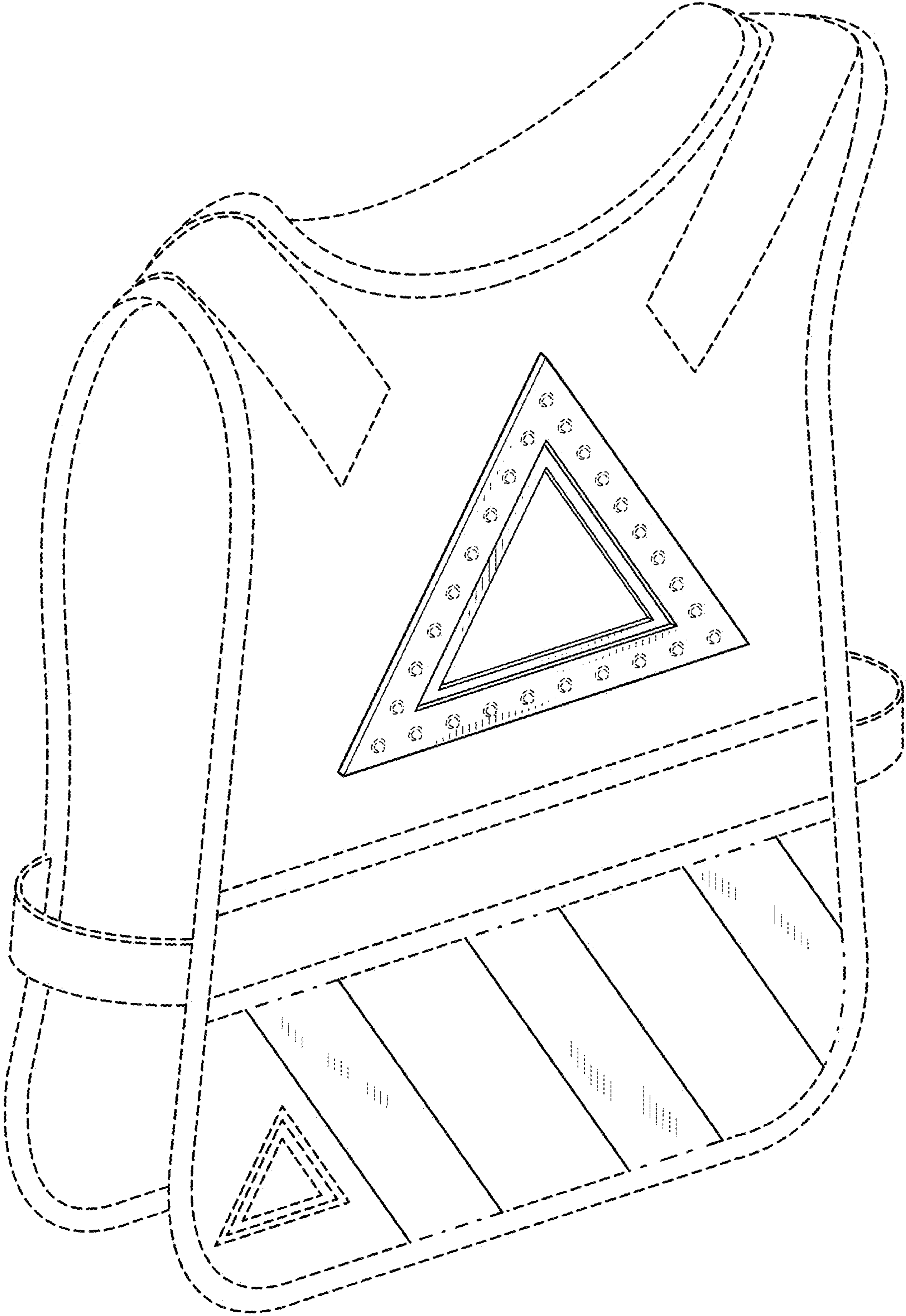


FIG. 1

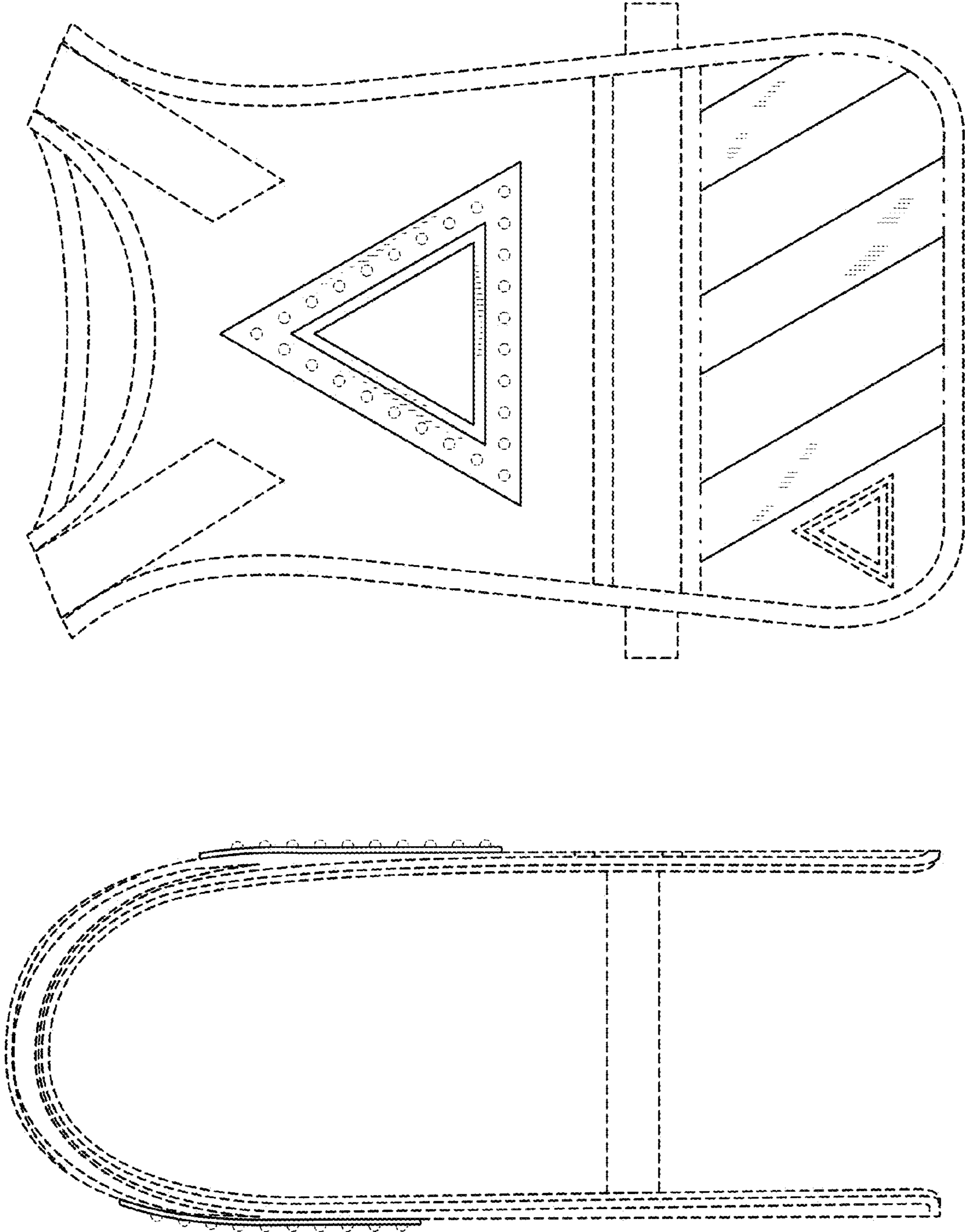


FIG. 3

FIG. 2

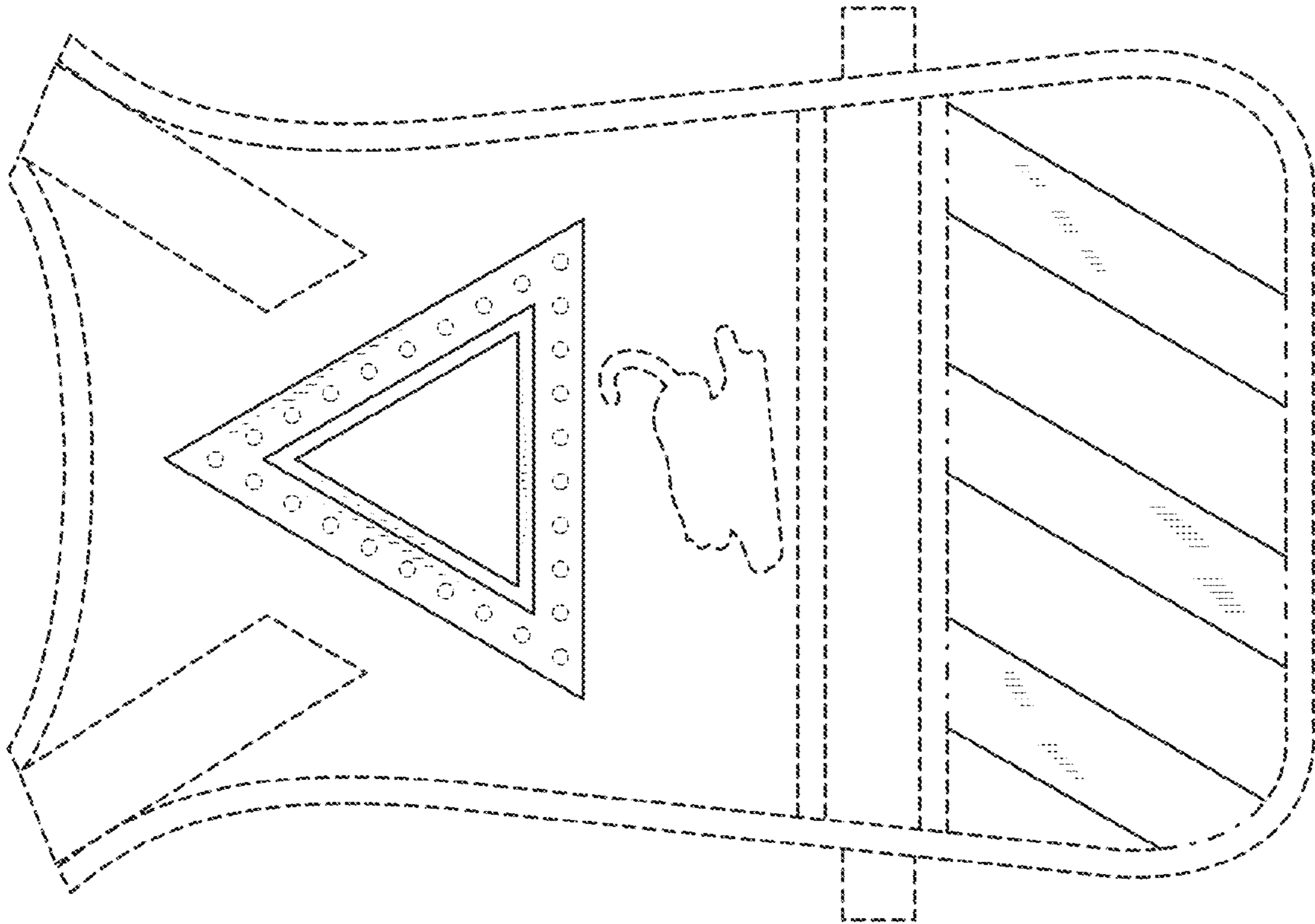


FIG. 4

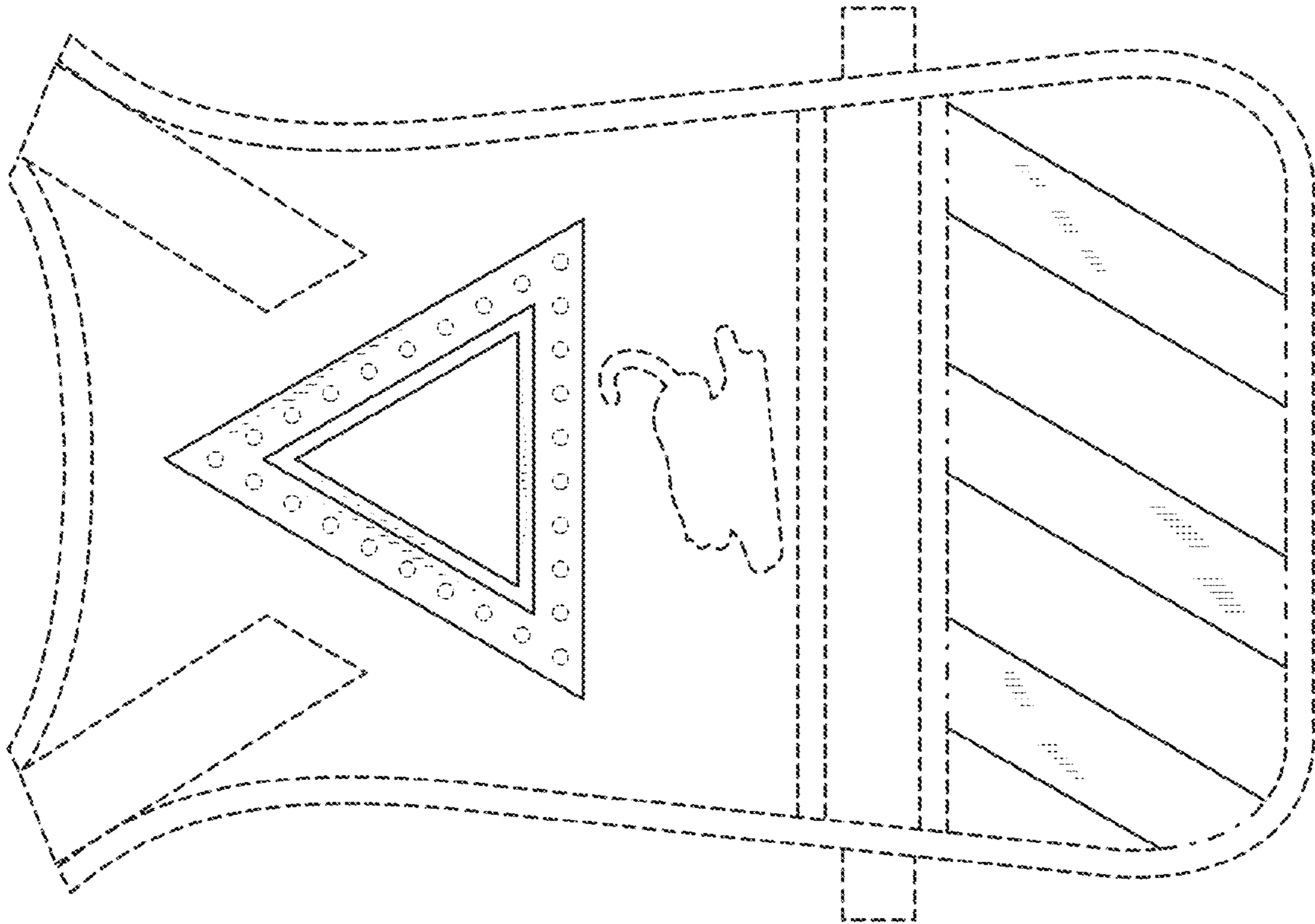


FIG. 5

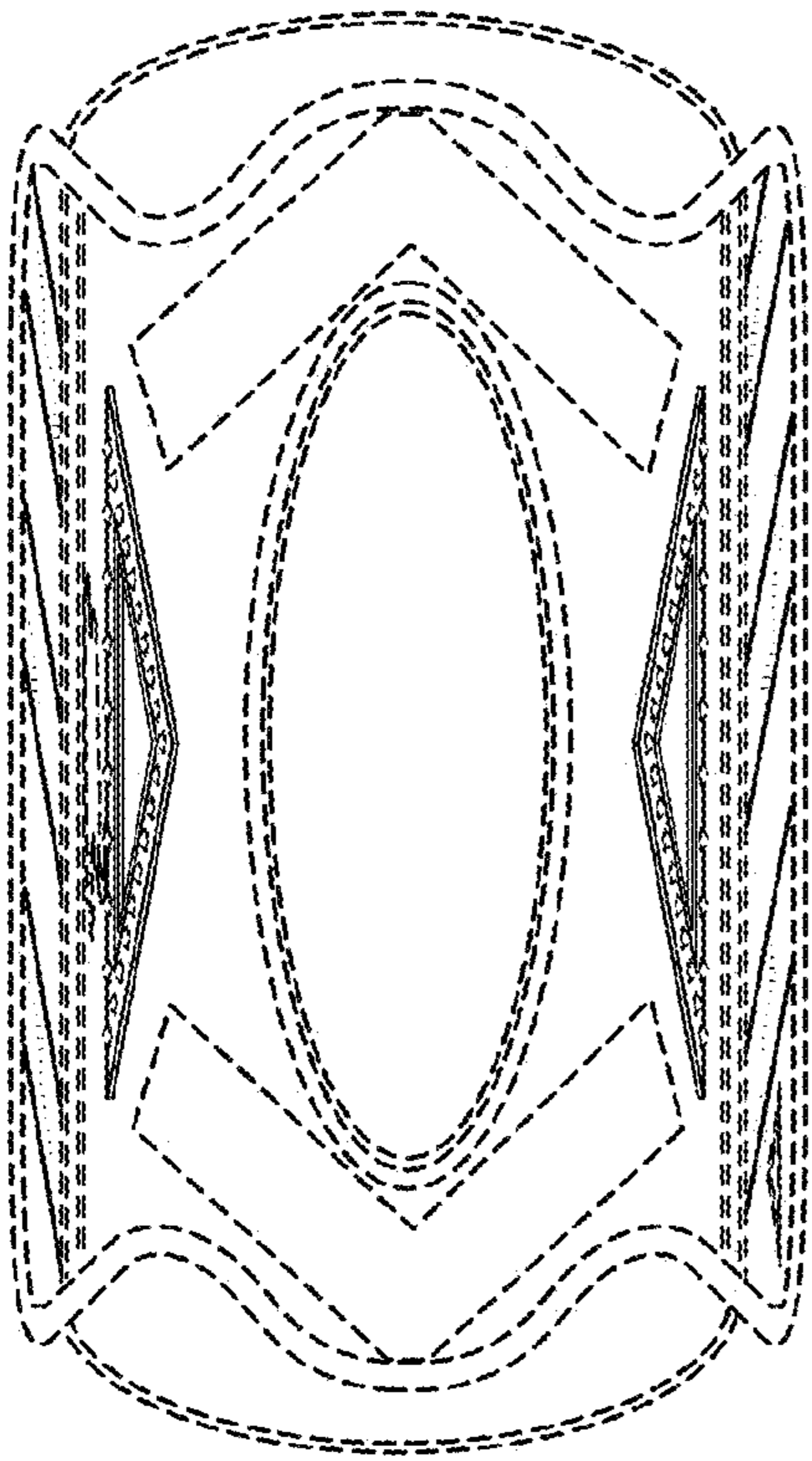


FIG. 6

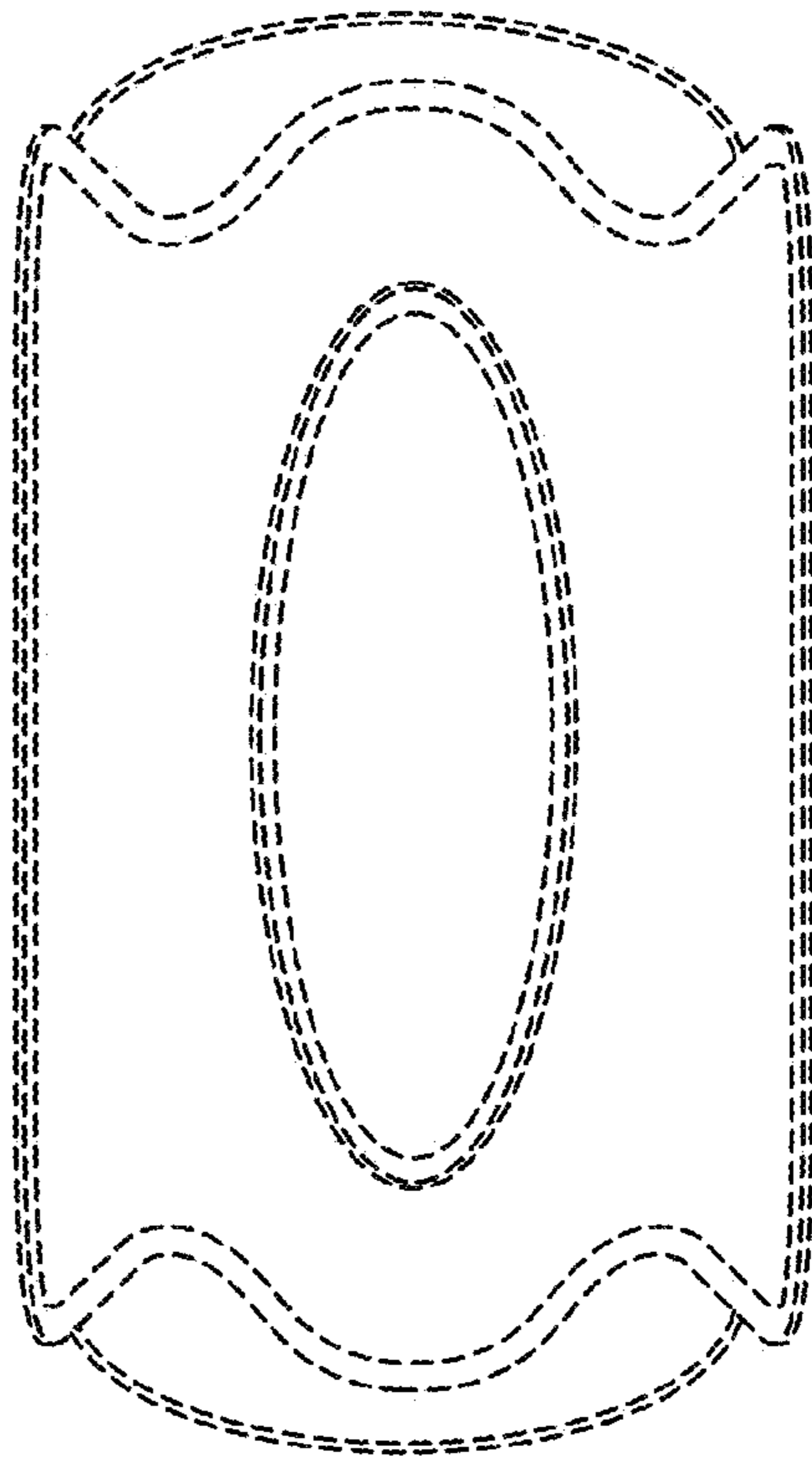


FIG. 7