



US00D983456S

(12) **United States Design Patent** (10) **Patent No.:** **US D983,456 S**
Dai (45) **Date of Patent:** **** Apr. 11, 2023**

(54) **HAIR CLIPPER**

FOREIGN PATENT DOCUMENTS

(71) Applicant: **CHERRY CREEK BEAUTY CORPORATION**, Aurora, CO (US)

IN 347358-001-0001 * 8/2021

(72) Inventor: **Qiuqiu Dai**, Jiujiang (CN)

OTHER PUBLICATIONS

(73) Assignee: **CHERRY CREEK BEAUTY CORPORATION**, Aurora, CO (US)

“Olov”, Apr. 21, 2022, Amazon, site visited Jan. 10, 2022: <https://amzn.to/3VZulJF> (Year: 2022).*

(Continued)

(**) Term: **15 Years**

Primary Examiner — Jack Reickel

(21) Appl. No.: **29/860,724**

Assistant Examiner — Salamah Jordan

(22) Filed: **Nov. 22, 2022**

(74) *Attorney, Agent, or Firm* — Daniel M. Cohn;
Howard M. Cohn

(51) **LOC (14) Cl.** **28-03**

(52) **U.S. Cl.**
USPC **D28/53**

(57) **CLAIM**

(58) **Field of Classification Search**
USPC D28/44–54, 76, 77, 85; D30/158–159;
D13/108

The ornamental design for a hair clipper, as shown and described.

CPC B26B 19/00; B26B 19/02; B26B 19/04;
B26B 19/06; B26B 19/10; B26B 19/30;
B26B 19/3853; B26B 19/3873; B26B
19/38–3826; B26B 19/384–48; B26B
19/12; B26B 19/2024; B26B 19/00107;
B26B 9/148; B26B 19/14–146

DESCRIPTION

See application file for complete search history.

FIG. 1 is a perspective view of a hair clipper showing my new design;
FIG. 2 is another perspective view thereof;
FIG. 3 is a front elevational view thereof;
FIG. 4 is a rear elevational view thereof;
FIG. 5 is a left side elevational view thereof;
FIG. 6 is a right side elevational view thereof;
FIG. 7 is a top plan view thereof;
FIG. 8 is a bottom plan view thereof;
FIG. 9 is an exploded perspective view thereof;
FIG. 10 is an enlarged view of portion 10 shown in FIG. 1; and,
FIG. 11 is an enlarged view of portion 11 shown in FIG. 2.
The dash-dash broken lines in the drawings depict portions of the hair clipper that form no part of the claimed design. The dot-dash broken lines represent the boundaries of the enlarged portions and form no part of the claimed design.

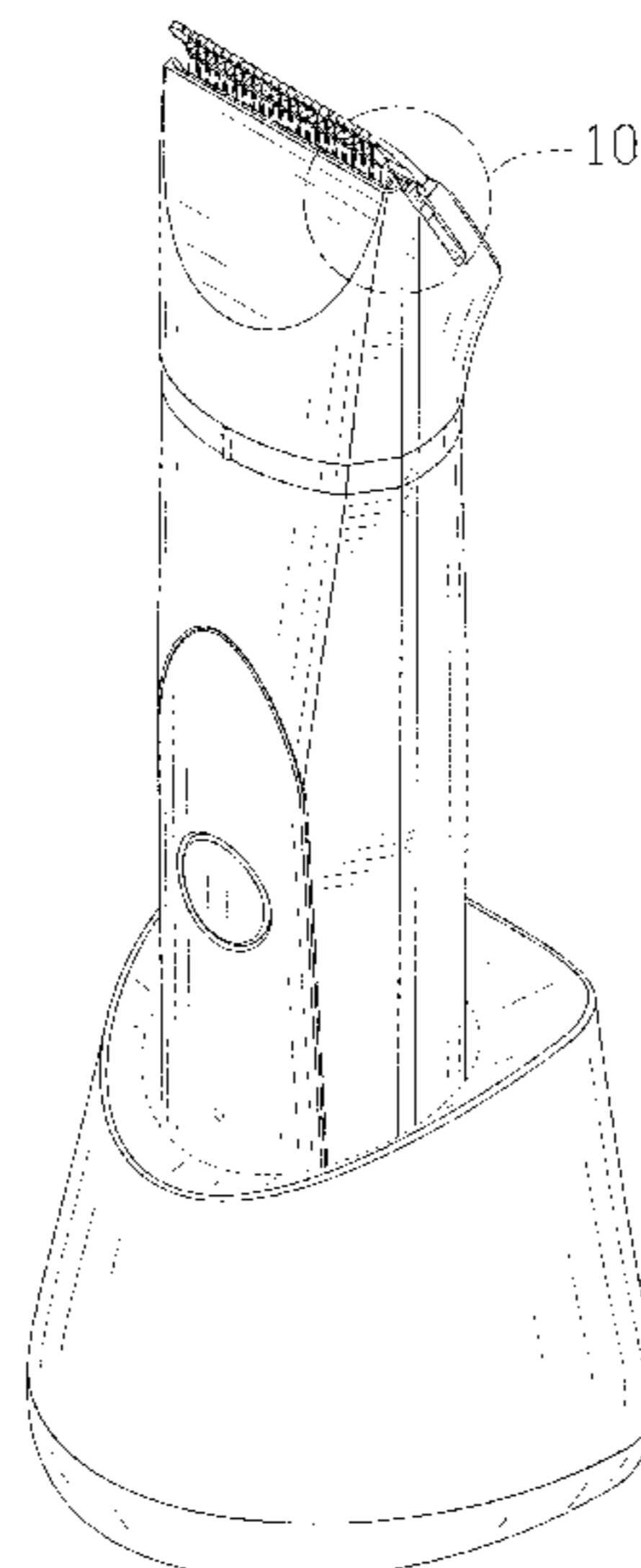
(56) **References Cited**

U.S. PATENT DOCUMENTS

D471,578 S * 3/2003 Okuley D16/242
D513,341 S * 12/2005 Ullmann D28/73
D611,652 S * 3/2010 Ullmann D28/73
D621,347 S * 8/2010 Aulwes D28/73
D676,602 S * 2/2013 Grabes D28/73
D687,245 S * 8/2013 Salagnac D6/526
D846,192 S * 4/2019 Wu D28/53
D879,376 S 3/2020 Zhang
D908,962 S * 1/2021 Tran D28/51
D917,497 S * 4/2021 Lee D14/447
D917,797 S * 4/2021 Fancelli D28/52

(Continued)

1 Claim, 11 Drawing Sheets



(56)

References Cited

U.S. PATENT DOCUMENTS

D922,948 S * 6/2021 Wang D13/108
 D923,250 S * 6/2021 Jiang D28/54
 D930,244 S * 9/2021 Cai D28/73
 D930,903 S * 9/2021 Zhuang D28/53
 D931,537 S * 9/2021 Werner D28/53
 D935,999 S * 11/2021 Fitch D13/108
 D937,001 S * 11/2021 Werner D6/526
 D939,774 S * 12/2021 Jiang D28/53
 D944,453 S * 2/2022 Ernotte D28/53
 D945,964 S * 3/2022 Gong D13/108
 D946,828 S * 3/2022 Liang D28/73
 D950,851 S * 5/2022 Cai D28/53
 D953,979 S * 6/2022 Aulwes D13/108
 D955,049 S * 6/2022 Tran D28/51
 D955,050 S * 6/2022 Cai D28/53
 D958,736 S * 7/2022 Van Roosmalen D13/108
 D963,942 S * 9/2022 Xu D28/53

D971,502 S * 11/2022 Huang D28/53
 D972,777 S * 12/2022 Zachrich D28/53
 D974,659 S * 1/2023 Novak D28/53

OTHER PUBLICATIONS

“Slimee Body Trimmer” Aug. 22, 2022, Amazon, site visited Jan. 10, 2022: <https://amzn.to/3WZMr57> (Year: 2022).
 “The Best Body Trimmers For Men” Aug. 14, 2020, Youtube, site visited Jan. 10, 2022: <https://www.youtube.com/watch?v=TQb0NfrUpFI> (Year: 2020).
 “Total Body Manscaping Tutorial”, Nov. 22, 2017, Youtube, site visited Feb. 14, 2023: https://www.youtube.com/watch?v=YIIYf_TGttc (Year: 2017).
 “Manscaped Lawn Mower 3.0” Feb. 28, 2020, Youtube, site visited Feb. 14, 2023: <https://www.youtube.com/watch?v=zvKolk7QWNc> (Year: 2020).

* cited by examiner

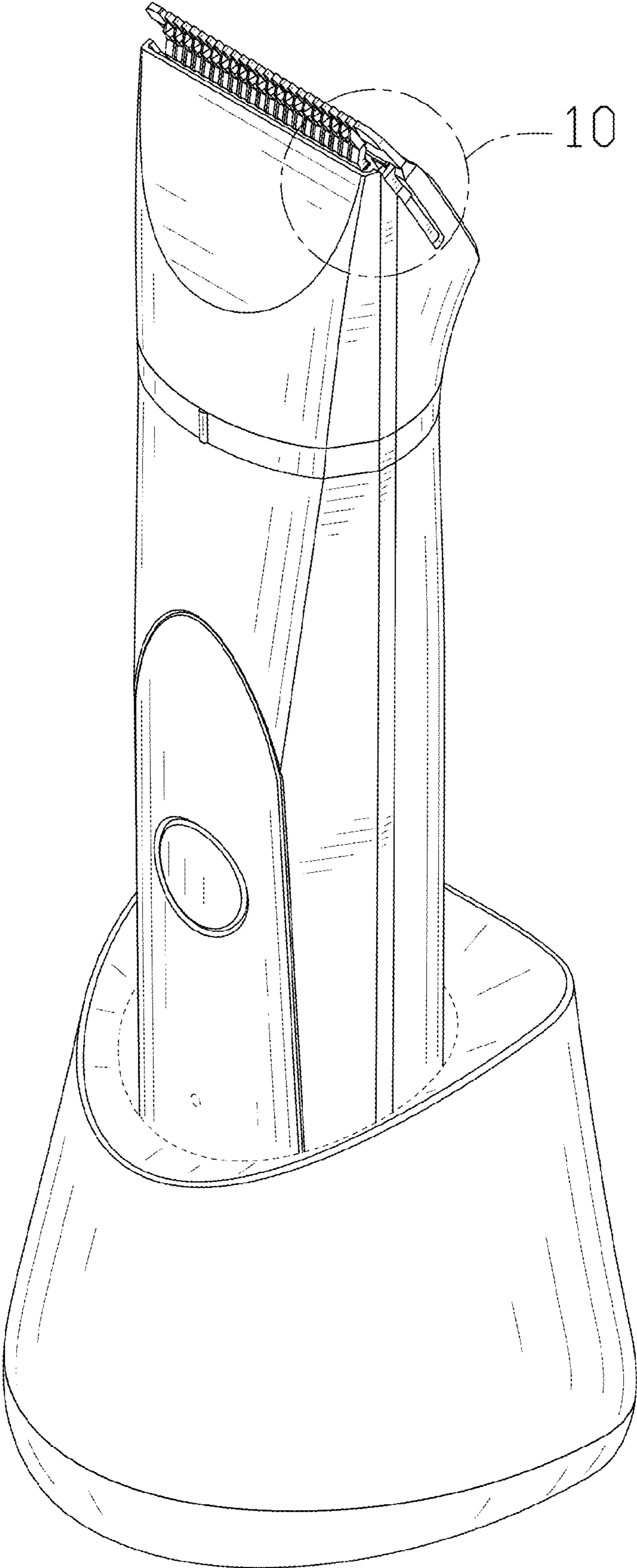


FIG. 1

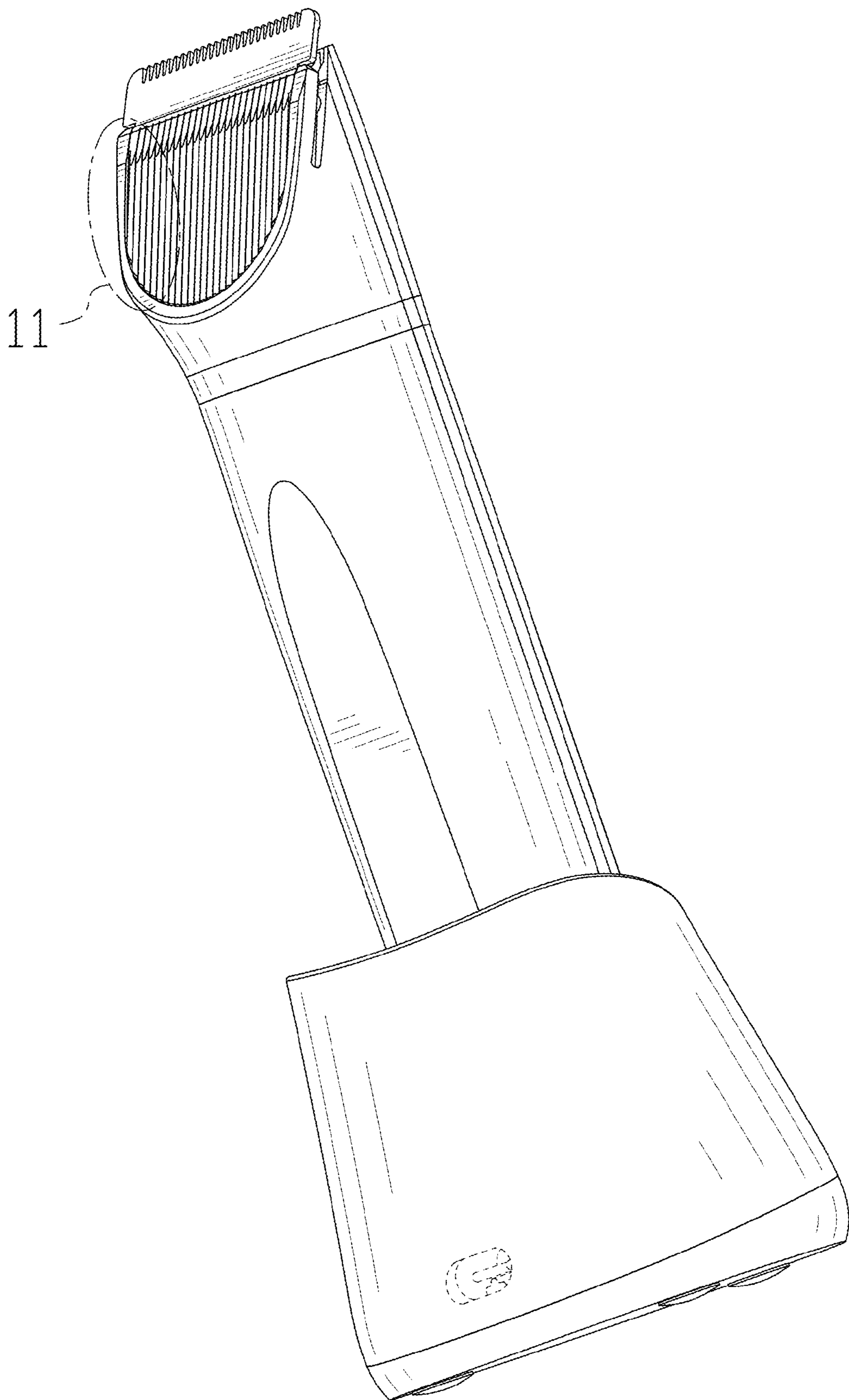


FIG. 2

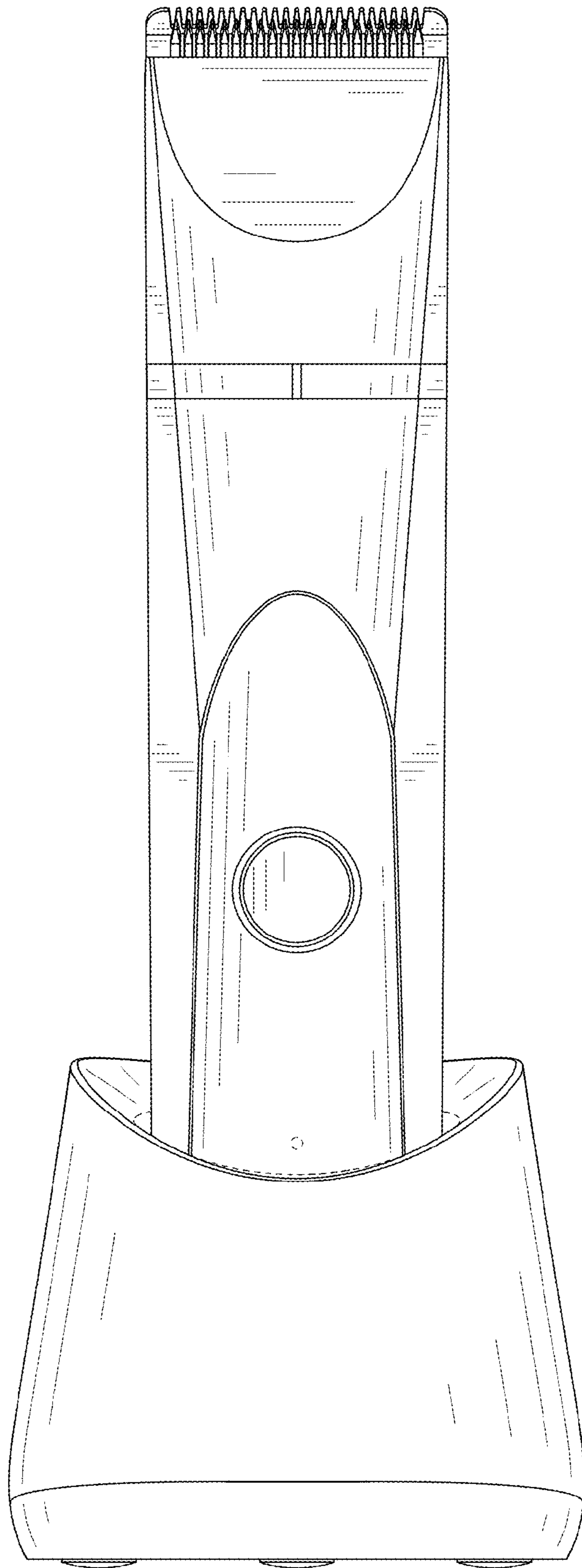


FIG. 3

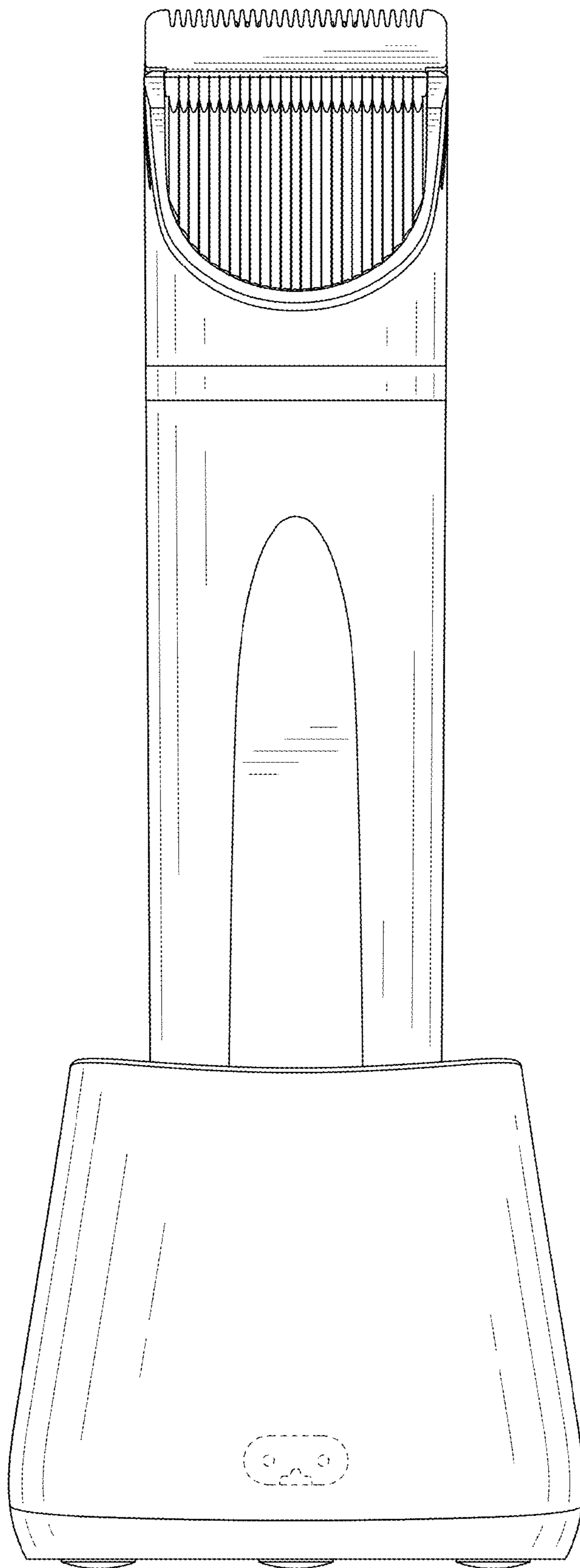


FIG. 4

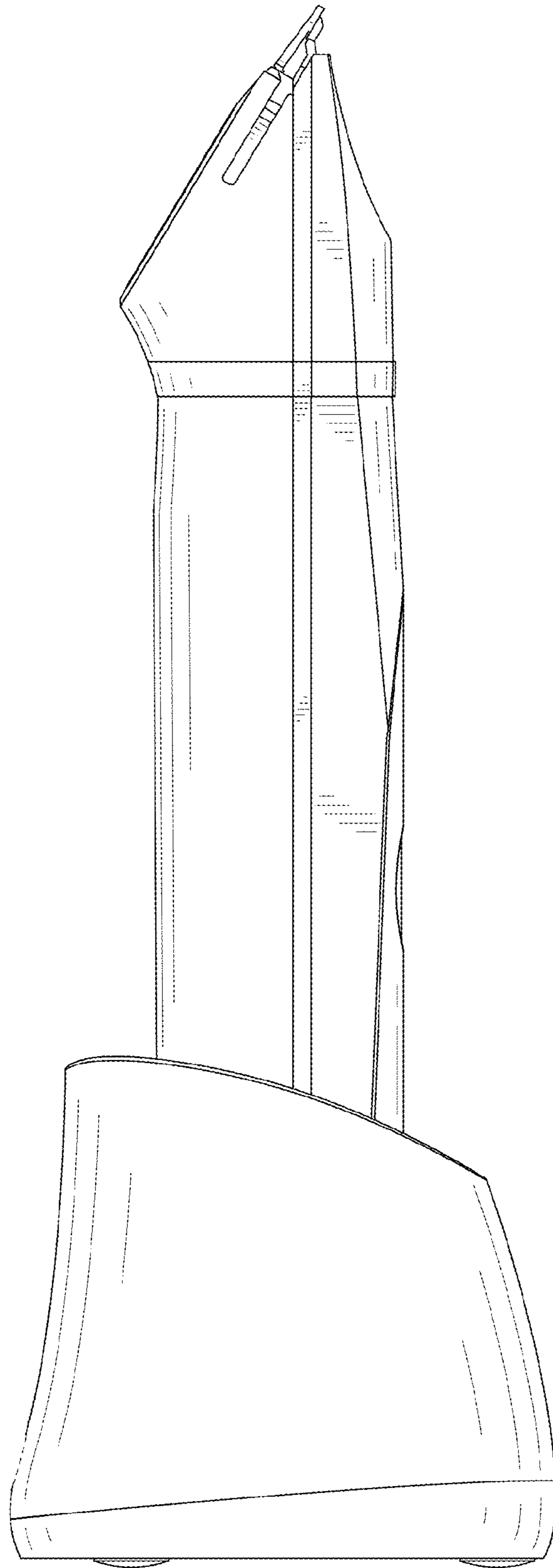


FIG. 5

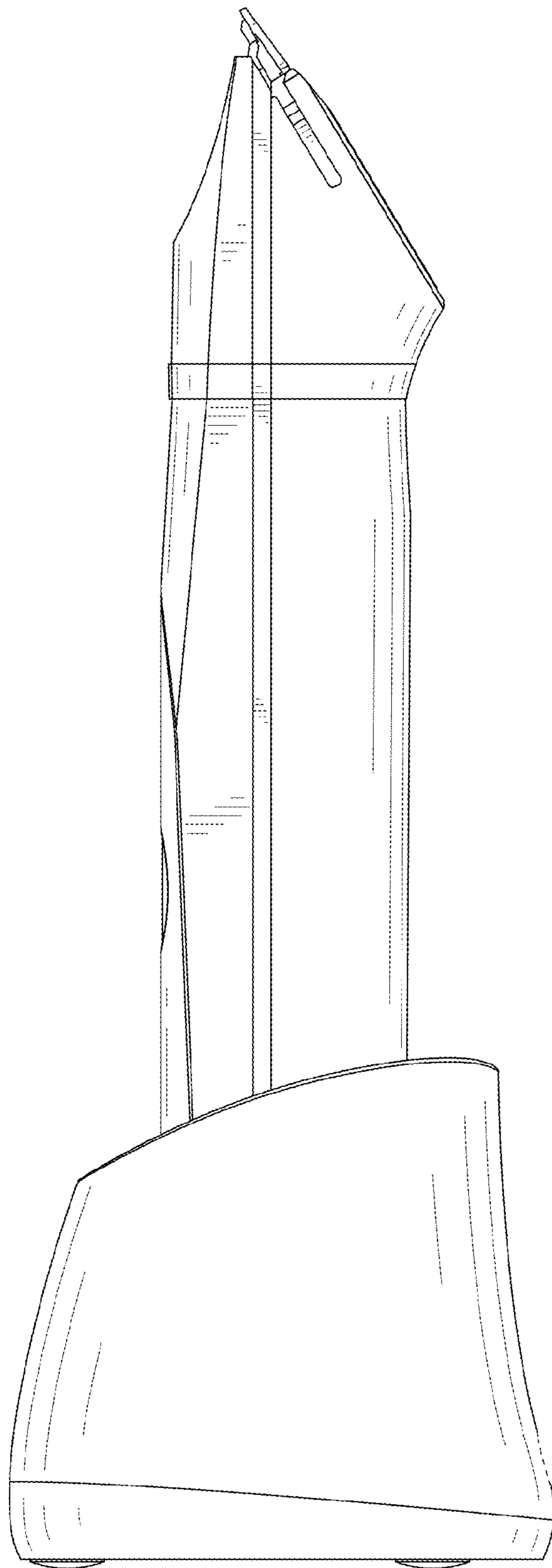


FIG. 6

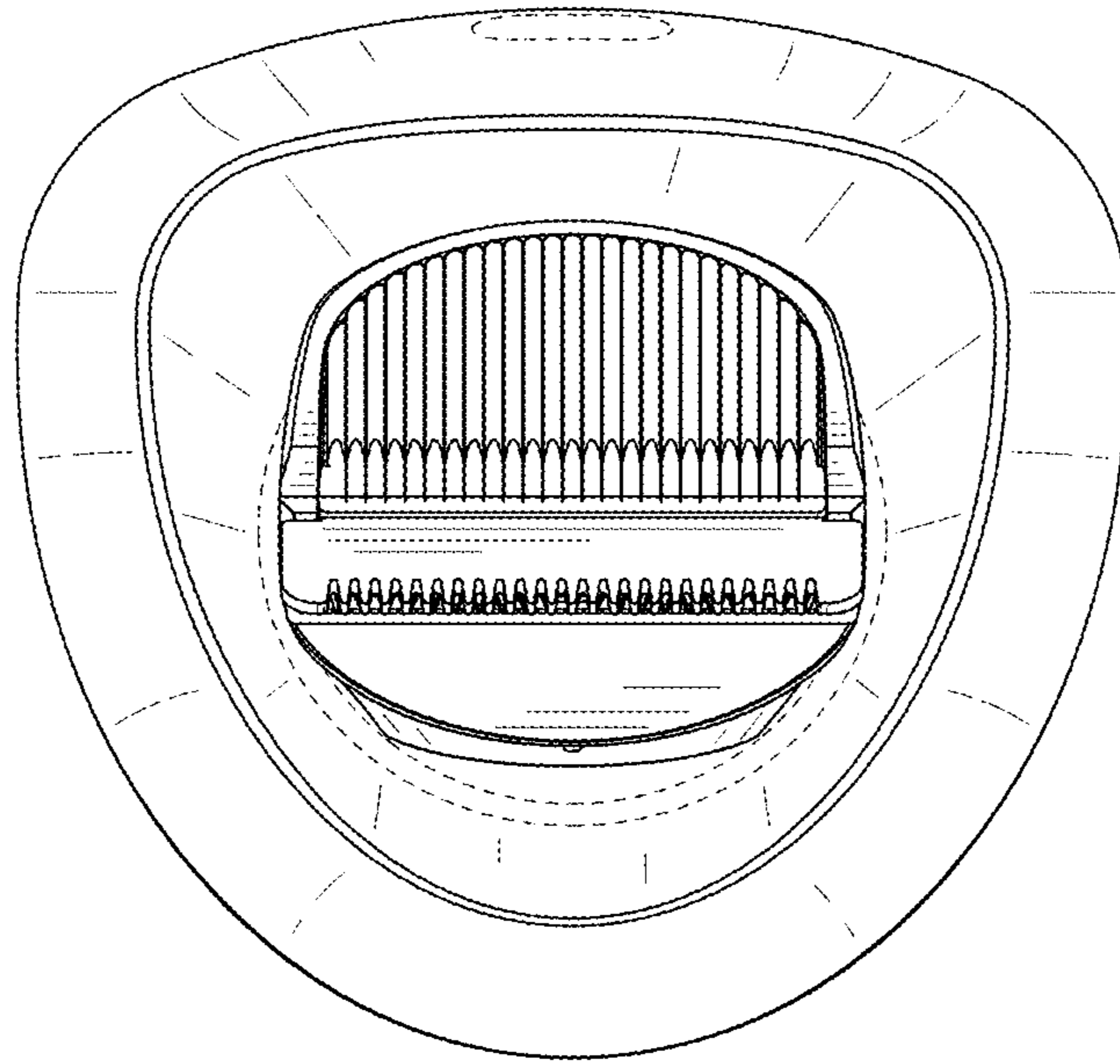


FIG. 7

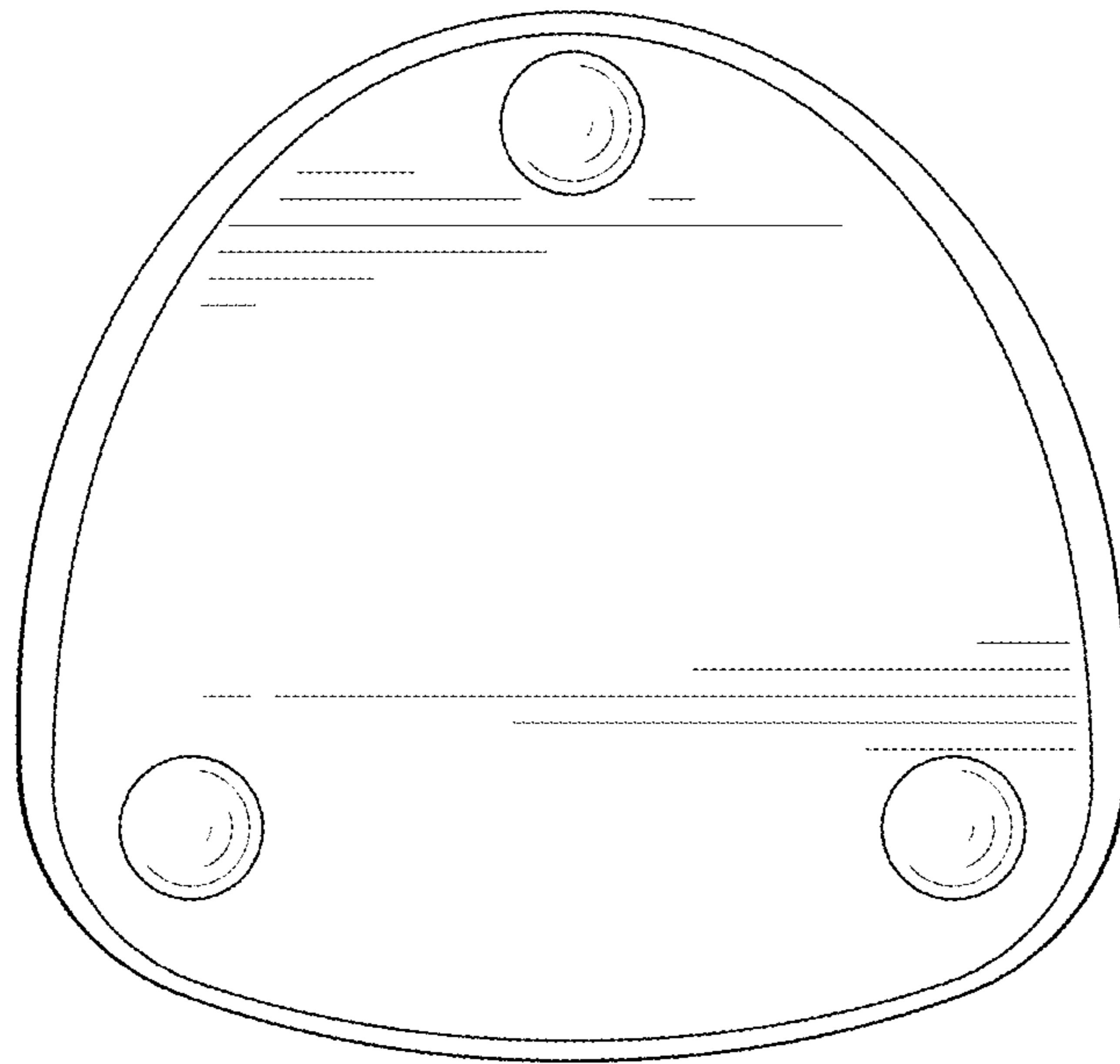


FIG. 8

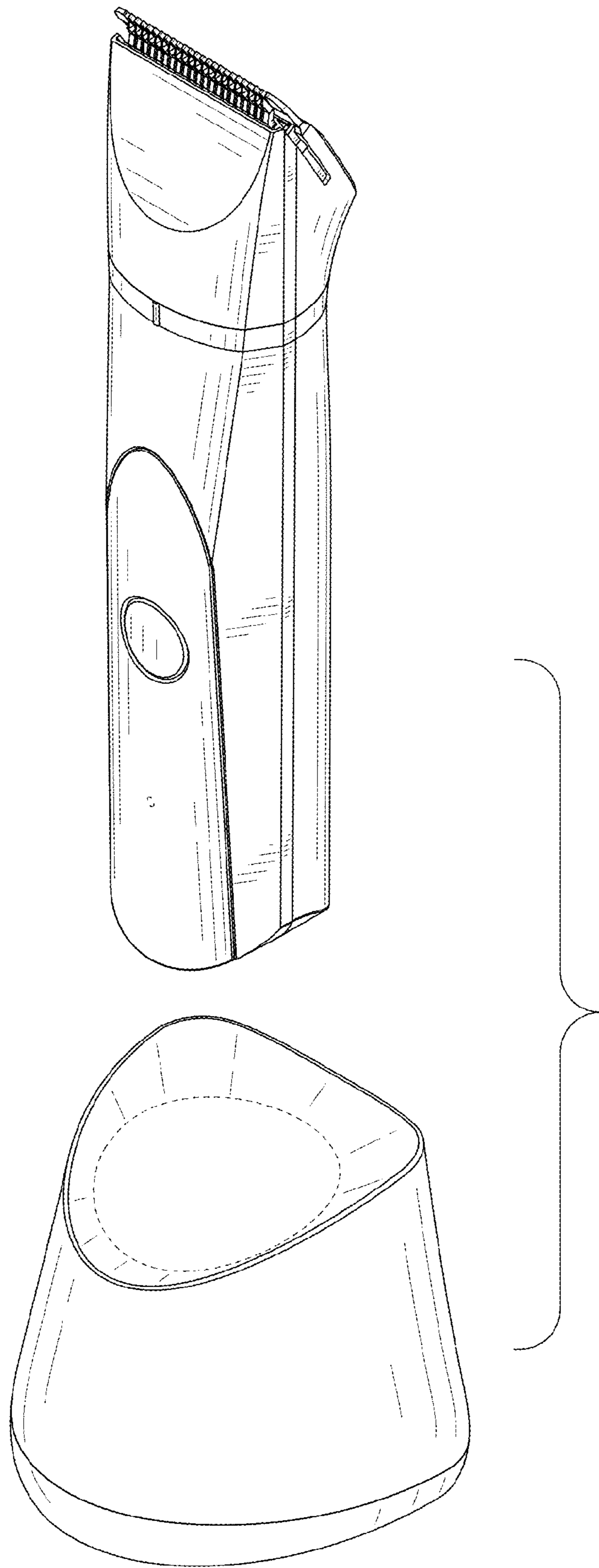


FIG. 9

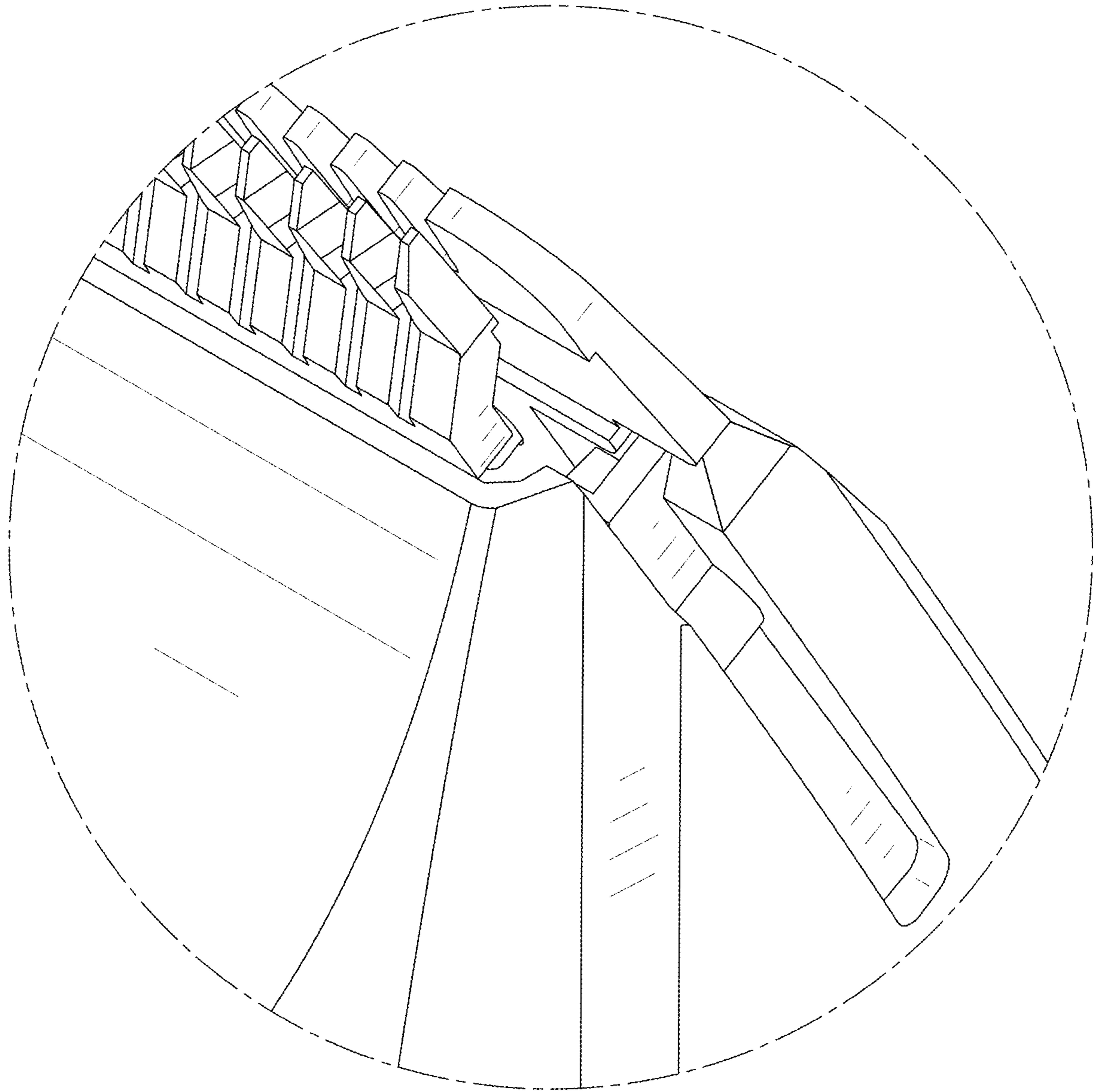


FIG. 10

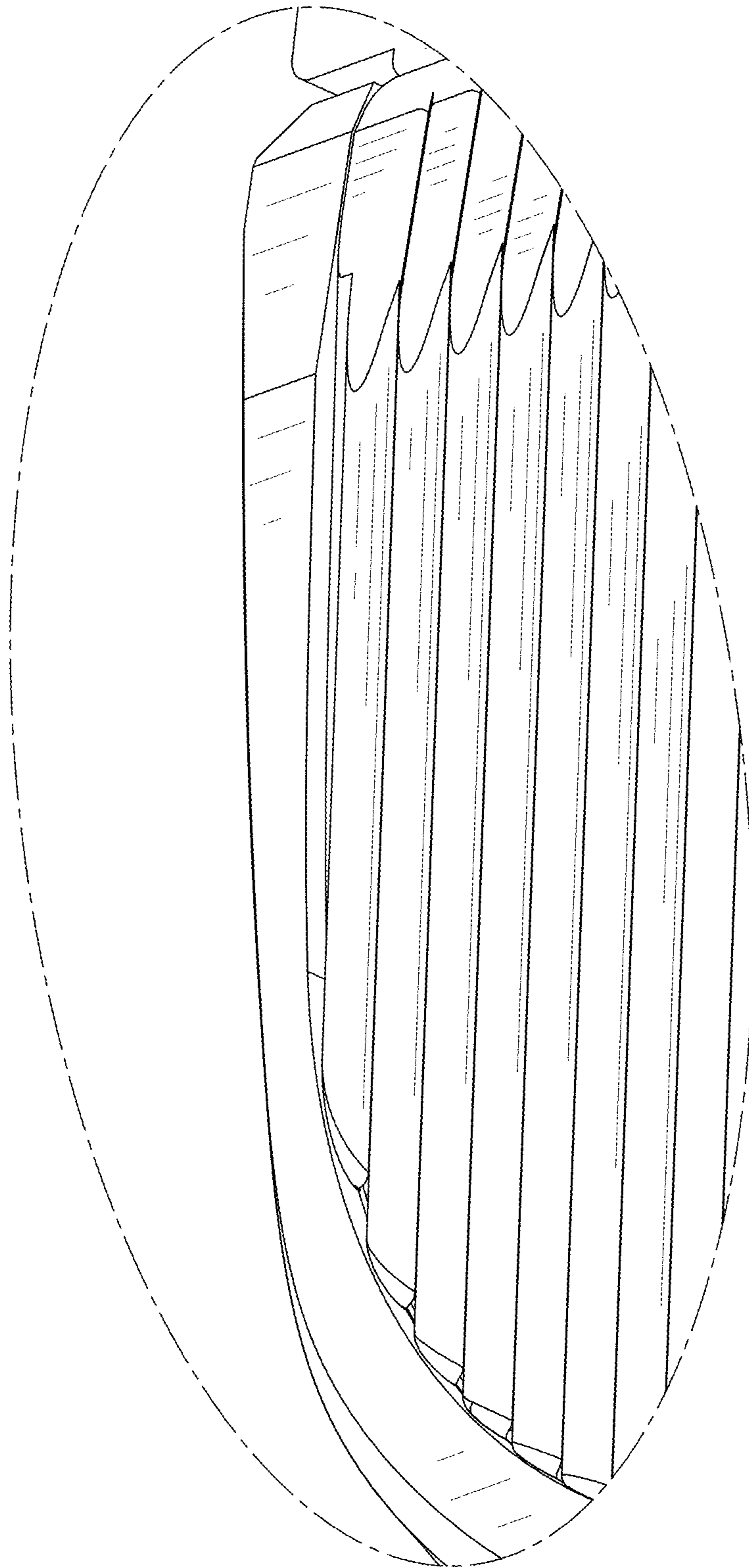


FIG. 11