



US00D983455S

(12) **United States Design Patent** (10) **Patent No.:** **US D983,455 S**
Kulshreshtha (45) **Date of Patent:** **** Apr. 11, 2023**

(54) **ELECTRIC SHAVER FOIL HEAD**
(71) Applicant: **SKULL SHAVER, LLC**, Moorestown, NJ (US)
(72) Inventor: **Neel B Kulshreshtha**, Burlington Township, NJ (US)
(73) Assignee: **Skull Shaver, LLC**, Moorestown, NJ (US)
(**) Term: **15 Years**
(21) Appl. No.: **29/754,862**
(22) Filed: **Oct. 15, 2020**
(51) **LOC (14) Cl.** **28-03**
(52) **U.S. Cl.**
USPC **D28/51; D28/54**
(58) **Field of Classification Search**
USPC D28/49-54, 56-59
CPC B26B 19/00; B26B 19/12; B26B 19/14;
B26B 19/28; B26B 19/38; B26B 19/384;
B26B 19/3853
See application file for complete search history.

2012/0151774 A1* 6/2012 Shimizu B26B 19/10
30/43.92
2015/0314461 A1* 11/2015 Man Wong B26B 19/06
30/43.91
2018/0085940 A1* 3/2018 Krauss B26B 19/042

FOREIGN PATENT DOCUMENTS

EP 0673728 A1 * 9/1995 B26B 19/048

OTHER PUBLICATIONS

One Lion by Skull Shaver, published on Jun. 8, 2022 on youtube.com, retrieved from: <https://www.youtube.com/watch?v=10ah3CQAJvg>.*

* cited by examiner

Primary Examiner — Alison M Ofstun
(74) *Attorney, Agent, or Firm* — Norman E. Lehrer

(57) **CLAIM**

The ornamental design for an electric shaver foil head, as shown and described.

DESCRIPTION

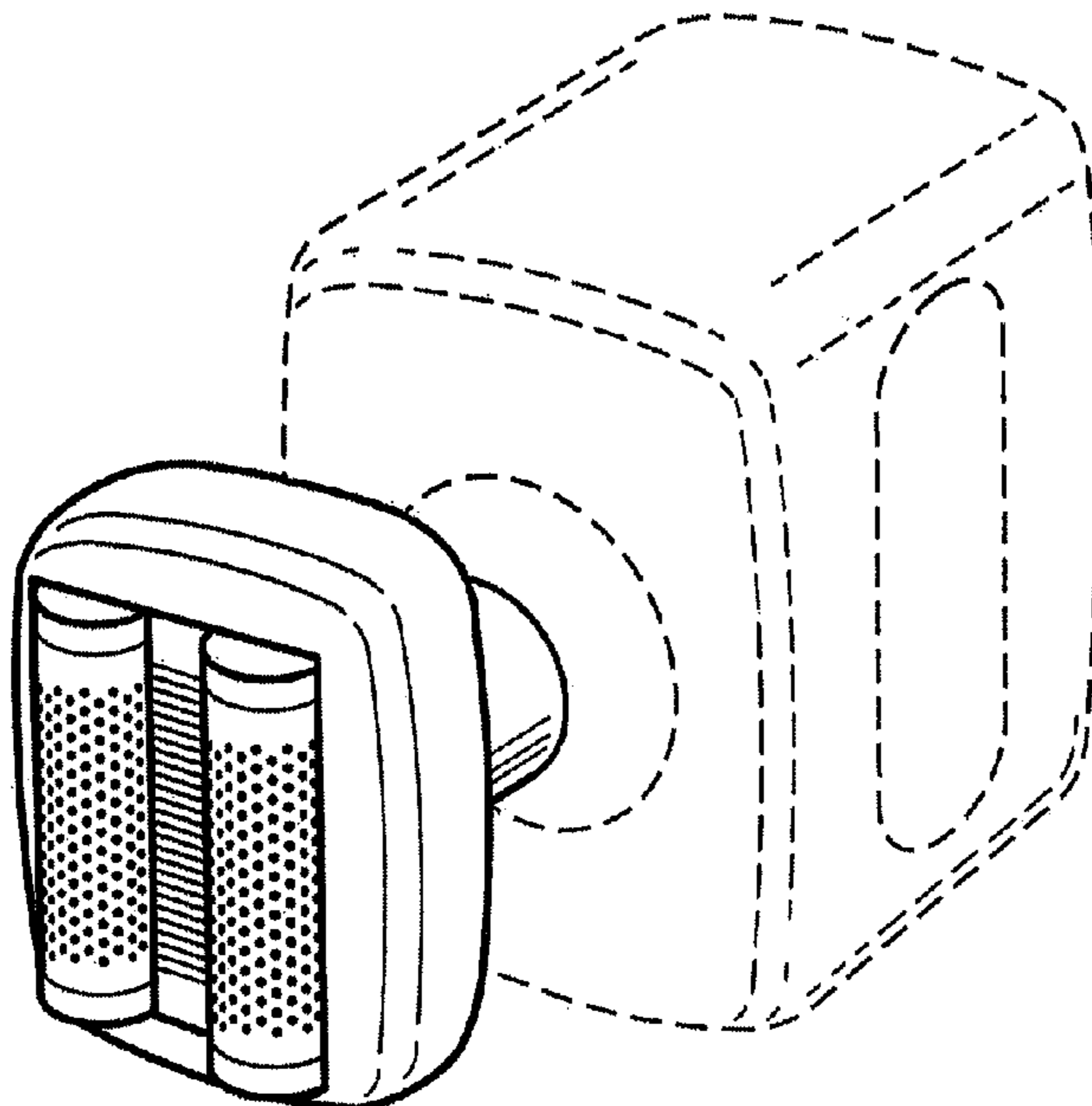
FIG. 1 is a bottom side perspective view of an electric shaver foil head showing my new design;
FIG. 2 is a top side perspective view thereof;
FIG. 3 is a top plan view thereof;
FIG. 4 is a bottom plan view thereof;
FIG. 5 is a right side elevational view, the left side elevational view being identical thereto; and,
FIG. 6 is a front elevational view, the rear elevational view being identical thereto.
The portions shown in broken lines are for environmental purposes only and form no part of the claimed design.

(56) **References Cited**

U.S. PATENT DOCUMENTS

D377,239 S * 1/1997 Izumi D28/51
D495,091 S * 8/2004 Ullmann D28/49
D713,994 S * 9/2014 Grabes D28/54
D751,252 S * 3/2016 Grabes D28/51
D897,042 S * 9/2020 Wang D28/51
D921,985 S * 6/2021 Goeder D28/51
2001/0023538 A1* 9/2001 Muraguchi H05K 5/0247
30/43.92
2009/0133265 A1* 5/2009 Burghardt B26B 19/04
30/43.7
2011/0179648 A1* 7/2011 Sakon B26B 19/384
30/34.2

1 Claim, 2 Drawing Sheets



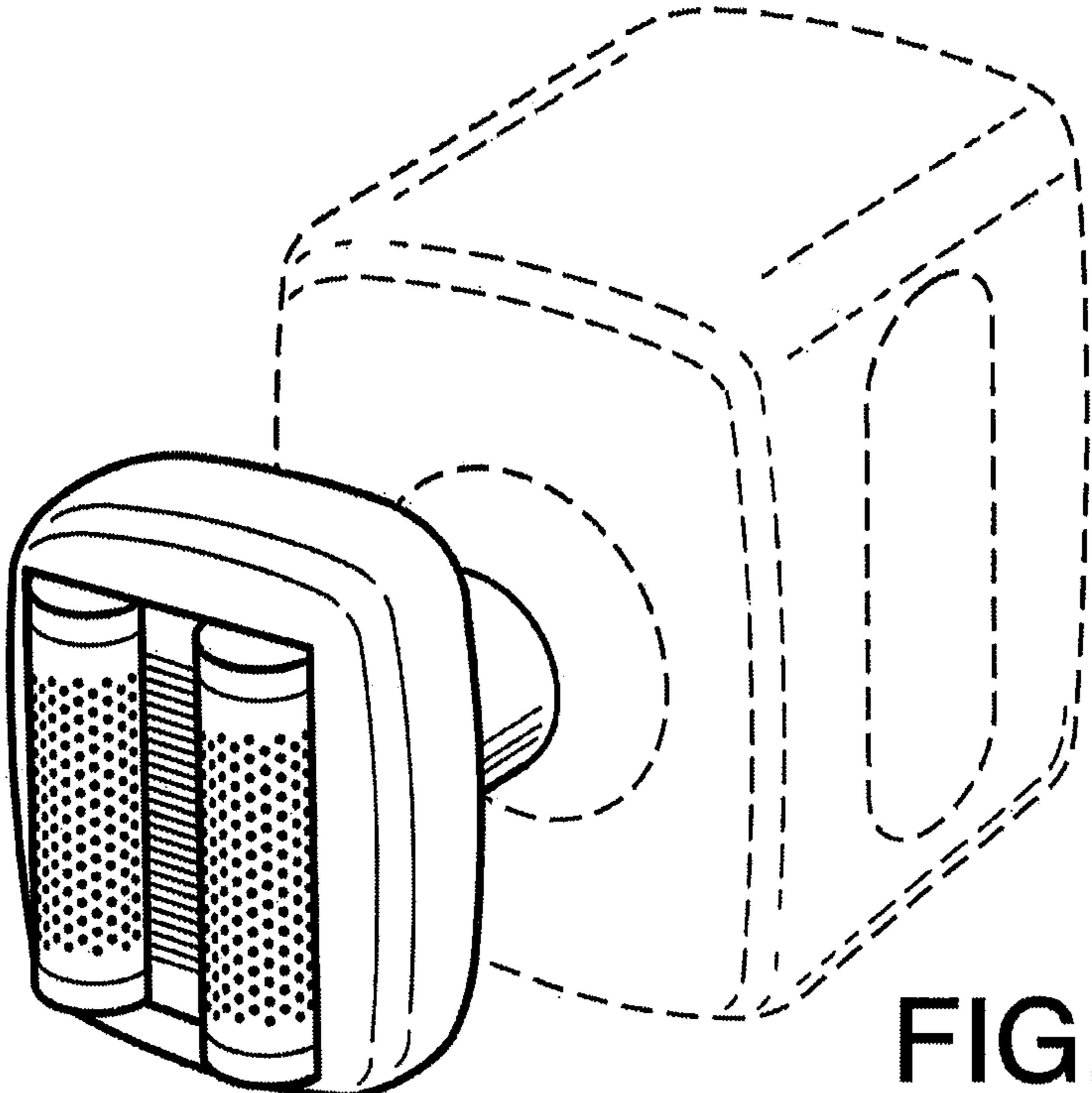


FIG. 1

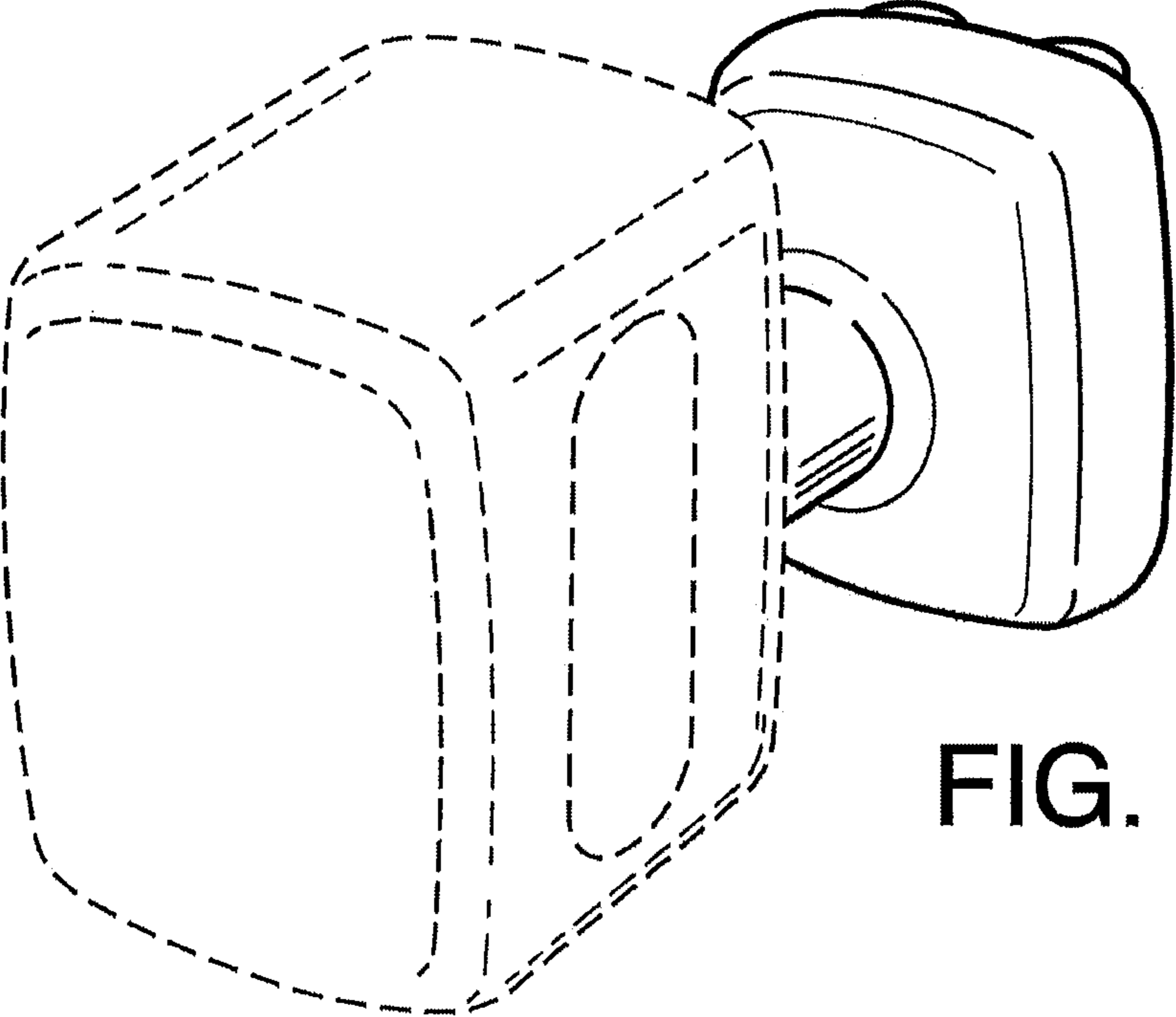


FIG. 2

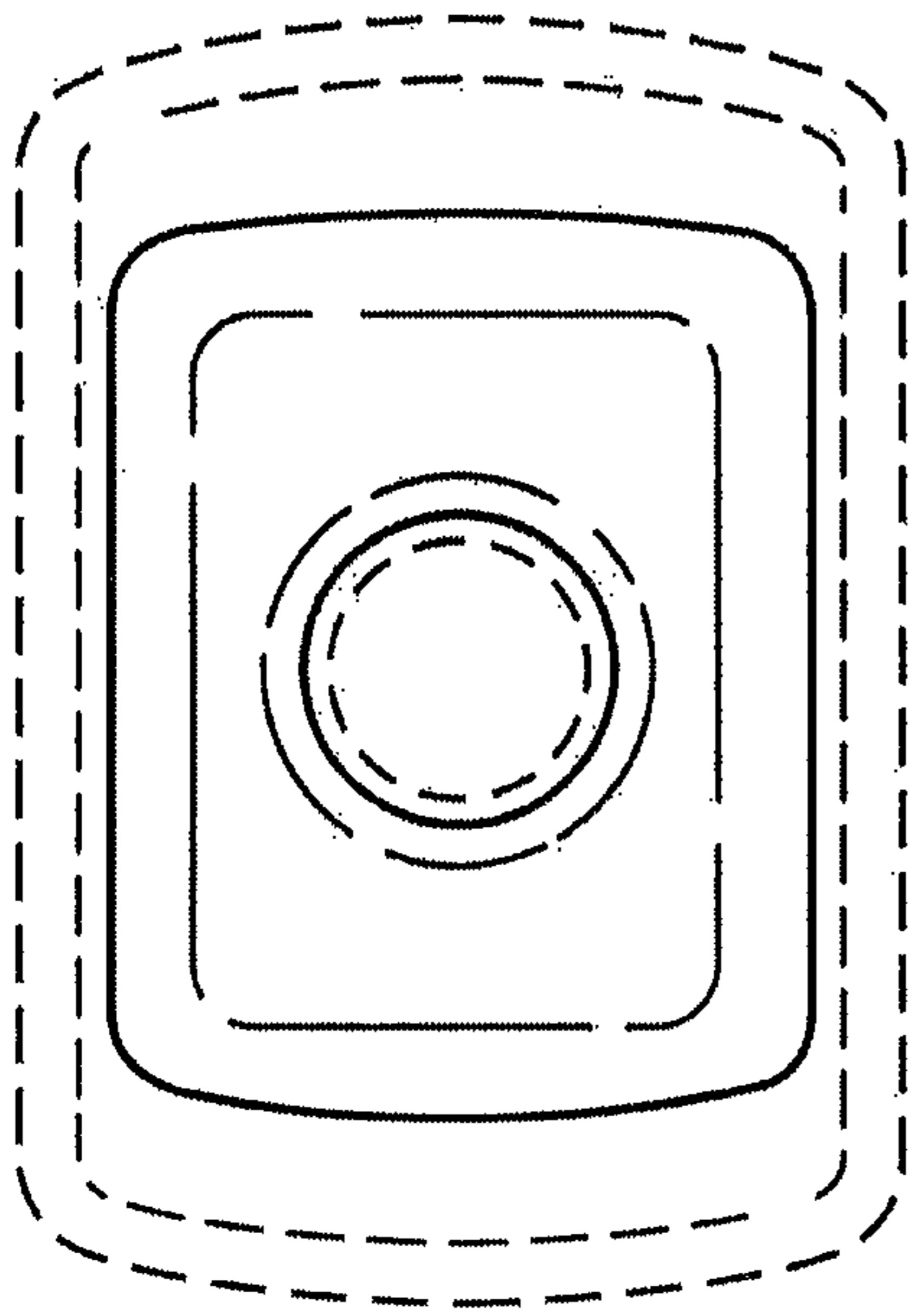


FIG. 3

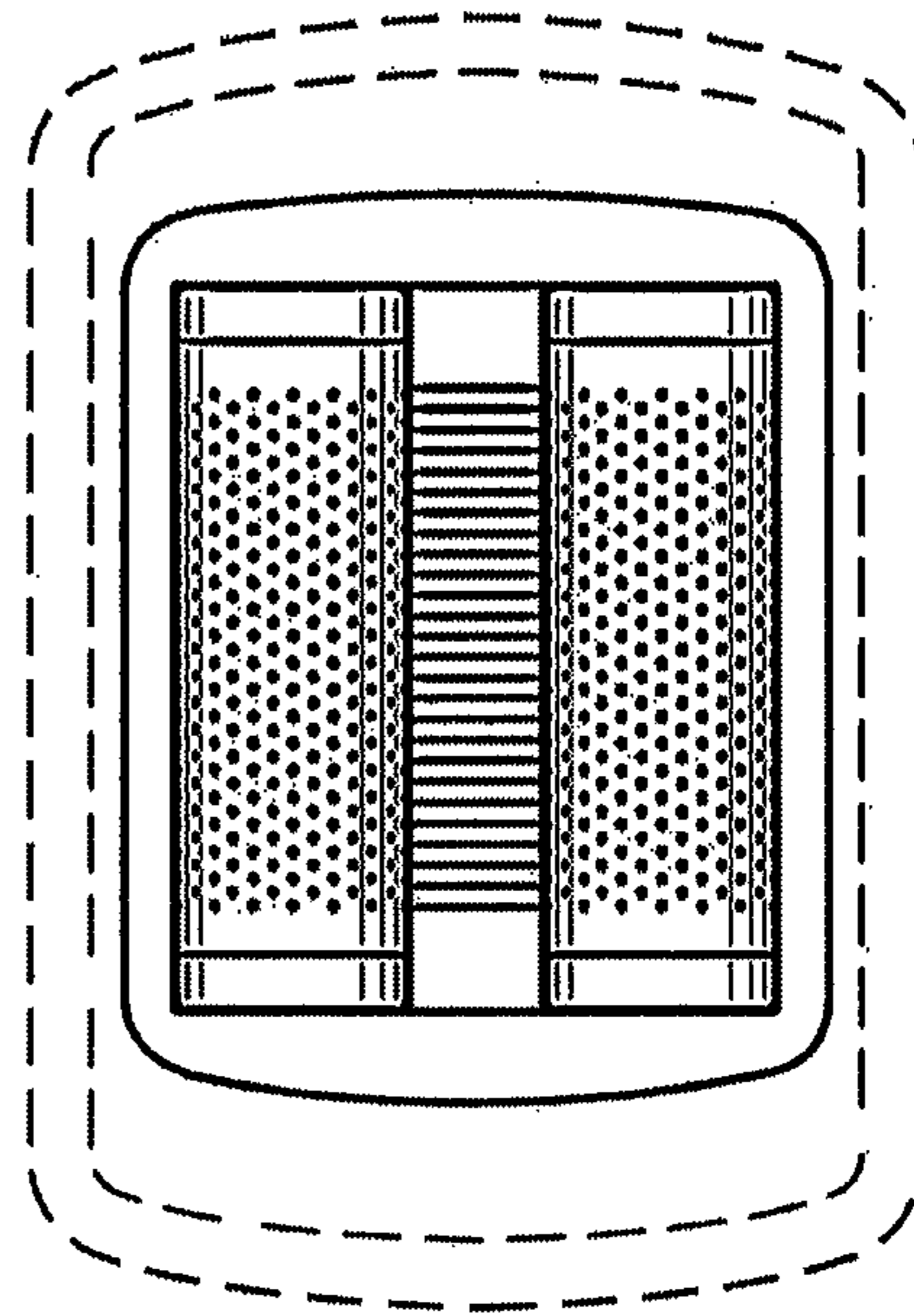


FIG. 4

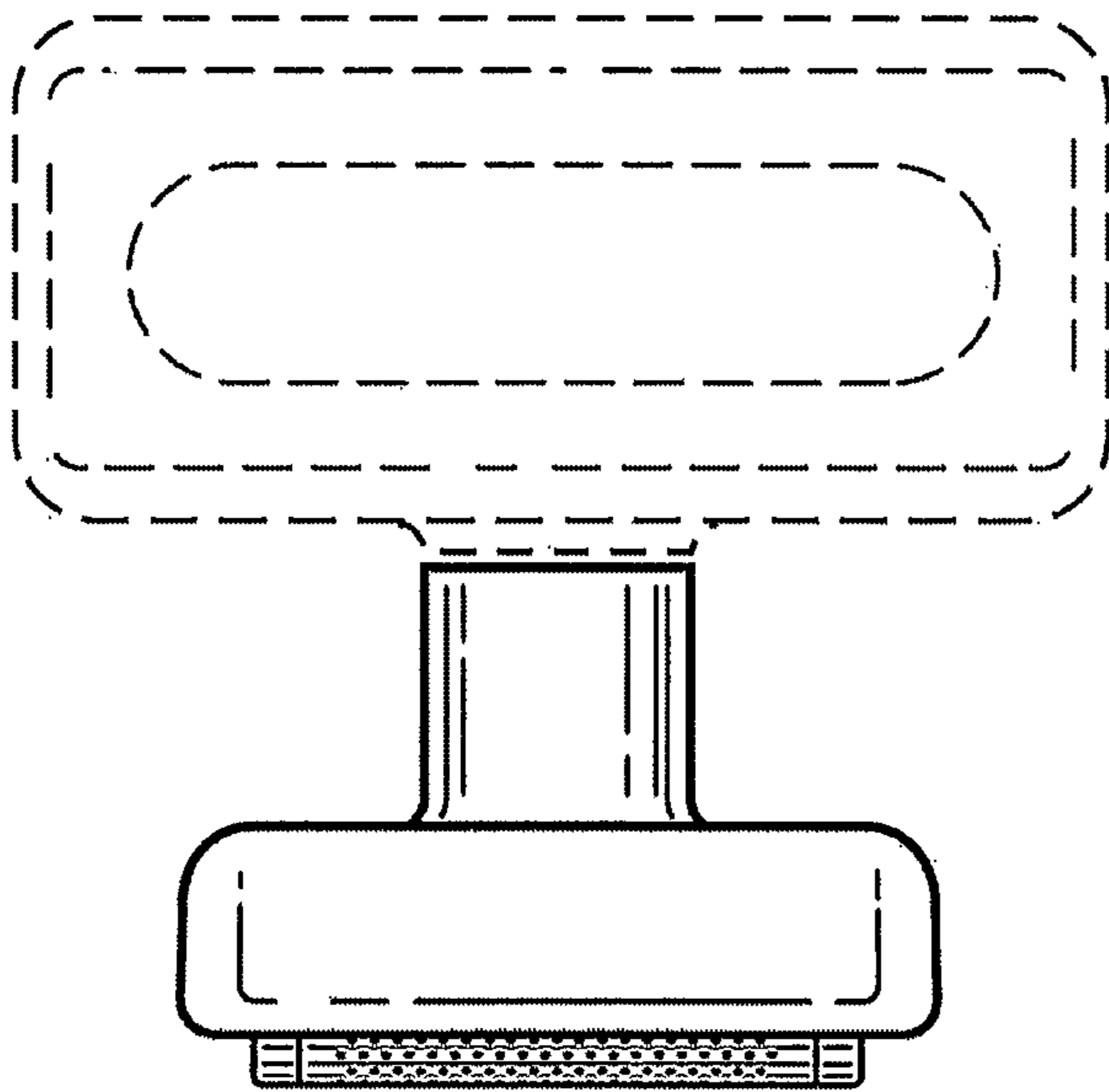


FIG. 5

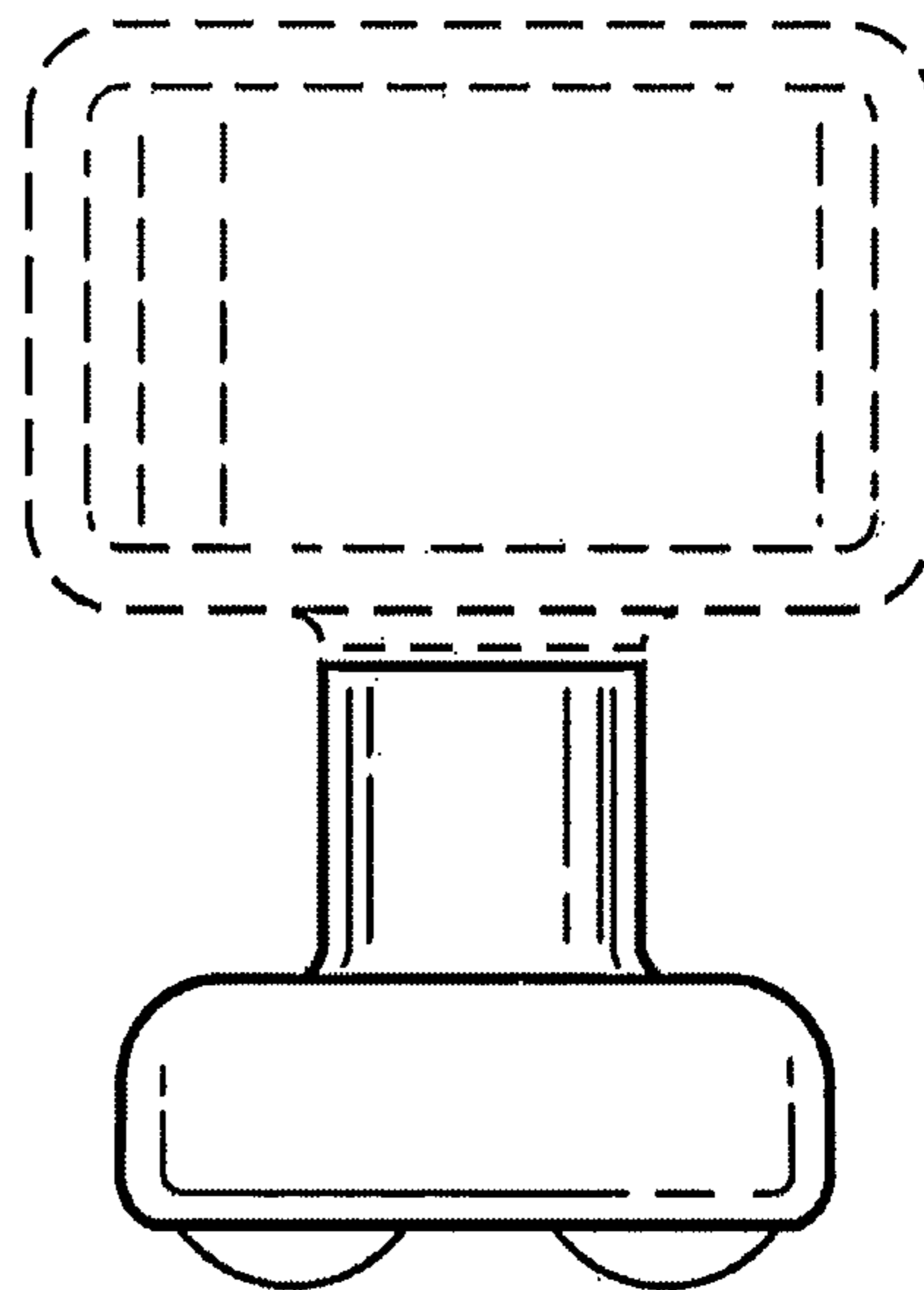


FIG. 6