



US00D983453S

(12) **United States Design Patent** (10) **Patent No.:** **US D983,453 S**
Santos et al. (45) **Date of Patent:** **** Apr. 11, 2023**

(54) **HAIR STYLING HEATED COMB**
(71) Applicant: **CONAIR LLC**, Stamford, CT (US)
(72) Inventors: **Mary Santos**, Stamford, CT (US);
Daniel Bishop, Trumbull, CT (US);
Sophia Wojczak, Harrison, NY (US)
(73) Assignee: **Conair LLC**, Stamford, CT (US)
(**) Term: **15 Years**

D901,899 S * 11/2020 Zhanye D28/35
D902,483 S 11/2020 Fan
D904,032 S 12/2020 Zeng
D909,064 S * 2/2021 Huang D28/35
D912,320 S 3/2021 Liang
D912,987 S 3/2021 Chandra et al.
D917,095 S 4/2021 Huang
D919,885 S * 5/2021 Liang D28/35
D922,773 S * 6/2021 Zhou D28/35
D930,363 S * 9/2021 Xu D4/134
D933,957 S * 10/2021 Guo D28/35
D934,499 S * 10/2021 Xie D28/35

(Continued)

(21) Appl. No.: **29/795,740**
(22) Filed: **Jun. 21, 2021**
(51) **LOC (14) Cl.** **28-03**
(52) **U.S. Cl.**
USPC **D28/35; D4/100**
(58) **Field of Classification Search**
USPC D28/35; D4/100, 134
CPC ... A45D 1/00; A45D 1/04; A45D 1/10; A45D
1/14; A45D 1/16; A45D 1/20; A45D
1/28; A45D 2/00; A45D 2/001; A45D
2/002; A45D 2/36; A45D 4/00; A45D
4/02; A45D 4/06; A45D 4/08; A45D
6/00; A45D 6/20
See application file for complete search history.

OTHER PUBLICATIONS

Conair Baby Blue Cordless Straightening Comb, reviewed on Sep. 28, 2021 on cvs.com, retrieved from: <https://www.cvs.com/shop/conair-baby-blue-cordless-straightening-comb-prodid-544449>.*

(Continued)

Primary Examiner — Alison M Ofstun
(74) *Attorney, Agent, or Firm* — Grogan Tuccillo & Vanderleeden, LLP

(57) **CLAIM**

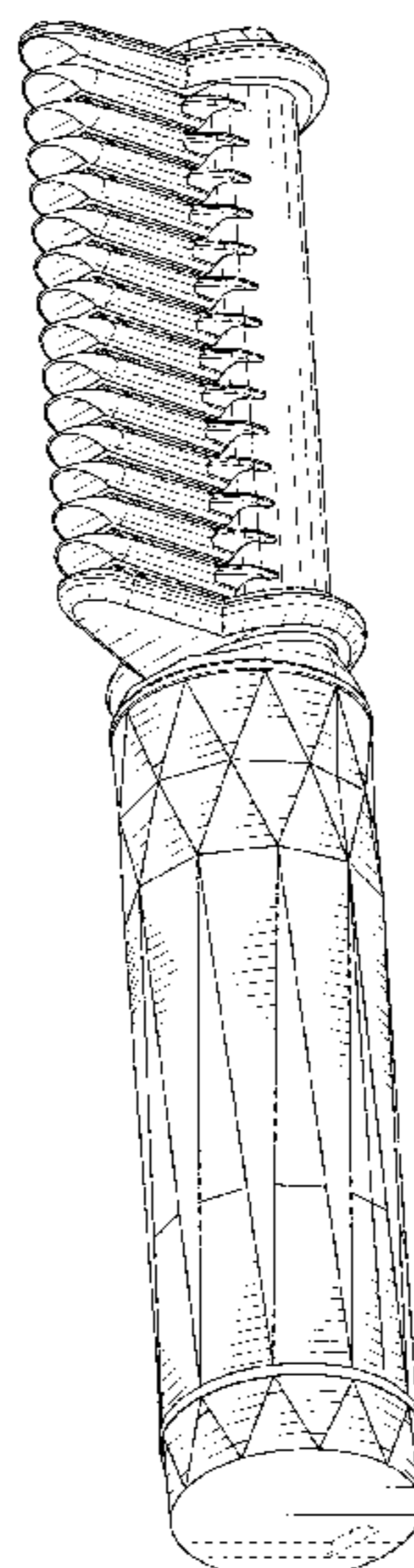
The ornamental design for a hair styling heated comb, as shown and described.

DESCRIPTION

FIG. 1 is a perspective view of a hair styling heated comb showing a new design;
FIG. 2 is another perspective view thereof;
FIG. 3 is a right side elevational view thereof;
FIG. 4 is a left side elevational view thereof;
FIG. 5 is a front elevational view thereof;
FIG. 6 is a rear elevational view thereof;
FIG. 7 is a top plan view thereof; and,
FIG. 8 is a bottom plan view thereof.
The broken lines in the figures illustrate portions of the article which form no part of the claimed design.

(56) **References Cited**
U.S. PATENT DOCUMENTS
D604,011 S 11/2009 Leung
D609,857 S 2/2010 Schmitz
8,448,284 B2 5/2013 Gross et al.
D698,489 S 1/2014 Byun
D765,911 S 9/2016 Hollinger
D769,523 S 10/2016 Fan
D771,310 S 11/2016 He
D815,837 S * 4/2018 Zhou D4/100
D850,718 S 6/2019 Cai
D870,967 S 12/2019 Huang
D882,957 S 5/2020 Huang
D893,195 S * 8/2020 Li D28/35

1 Claim, 4 Drawing Sheets



(56)

References Cited

U.S. PATENT DOCUMENTS

D934,501 S * 10/2021 Huang D28/35
D952,941 S * 5/2022 Lam D28/35
D953,743 S * 6/2022 Yang D28/35
2015/0122286 A1* 5/2015 Valle A45D 2/002
132/229
2016/0360847 A1* 12/2016 He A45D 24/16

OTHER PUBLICATIONS

Conair Unbound Cordless Mini Straightening Comb, reviewed as early as Dec. 9, 2019 on amazon.com, retrieved from: https://www.amazon.com/Conair-Cordless-Straightening-Rechargeable-Eliminates/dp/B08DRX5KQN/ref=sr_1_1?crid=22FN0XLF48FDF&keywords=conair%2Bcordless%2Bstraightening%2Bcomb&qid=1668618343&srefix=conair%2B.

* cited by examiner

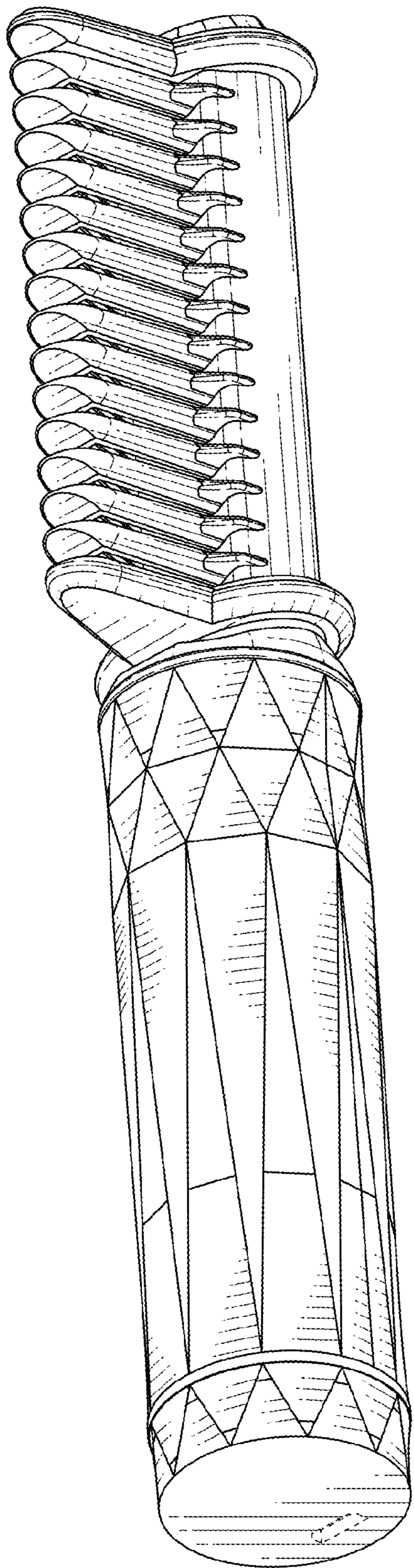


FIG. 1

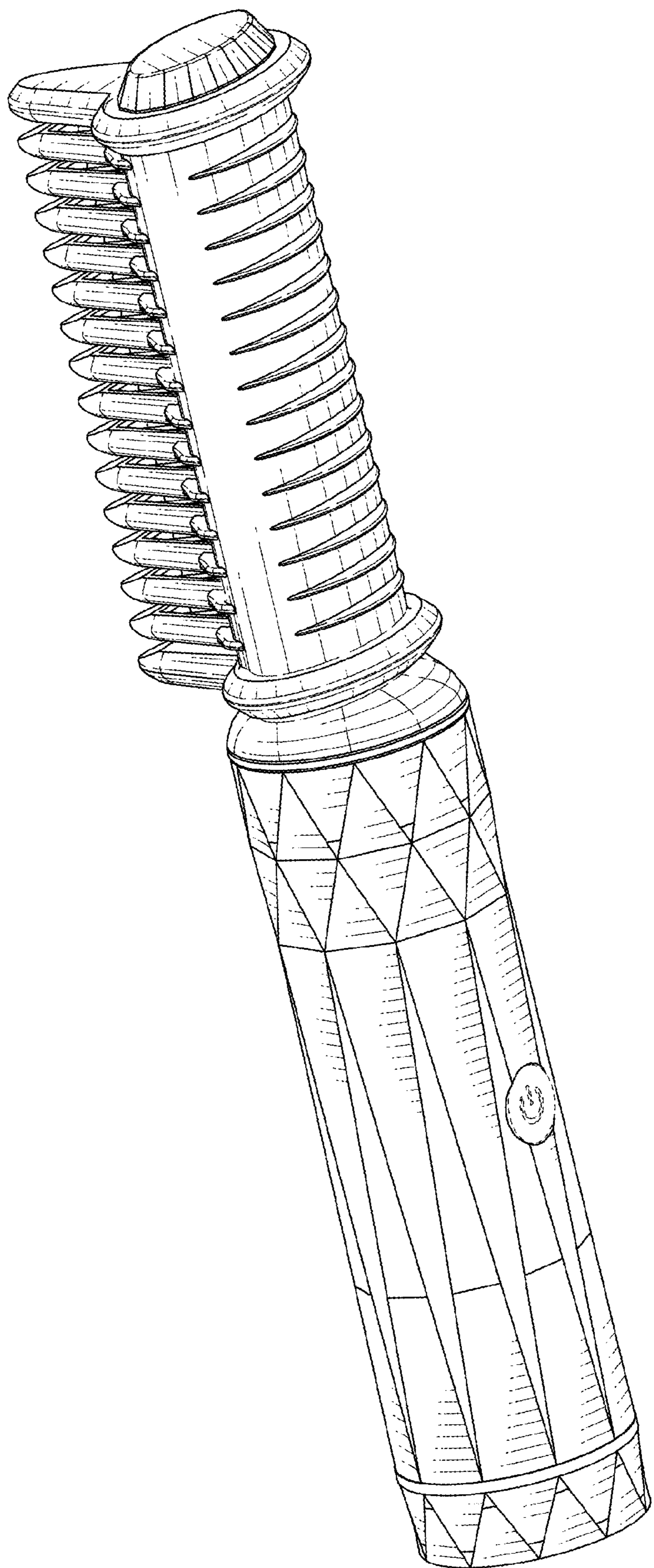


FIG. 2

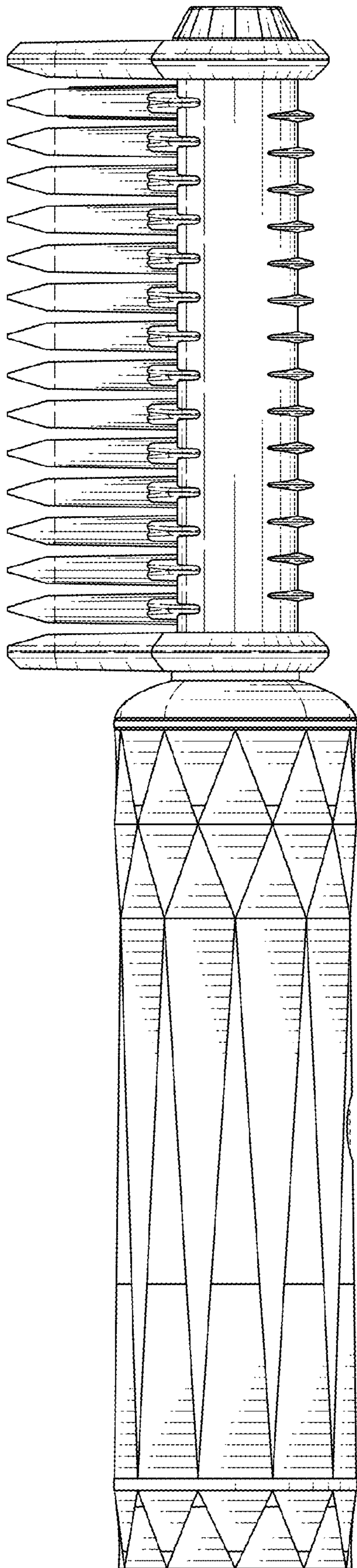


FIG. 3

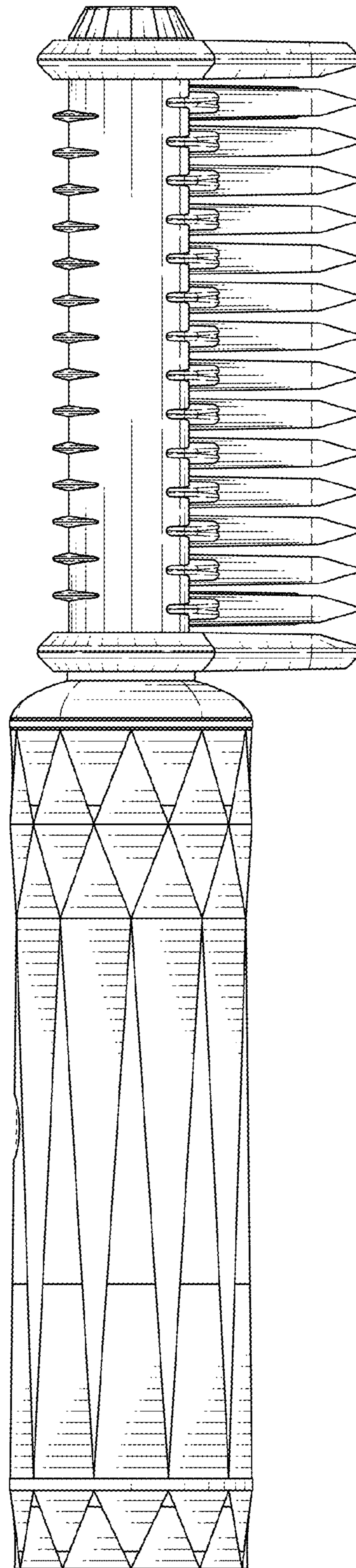


FIG. 4

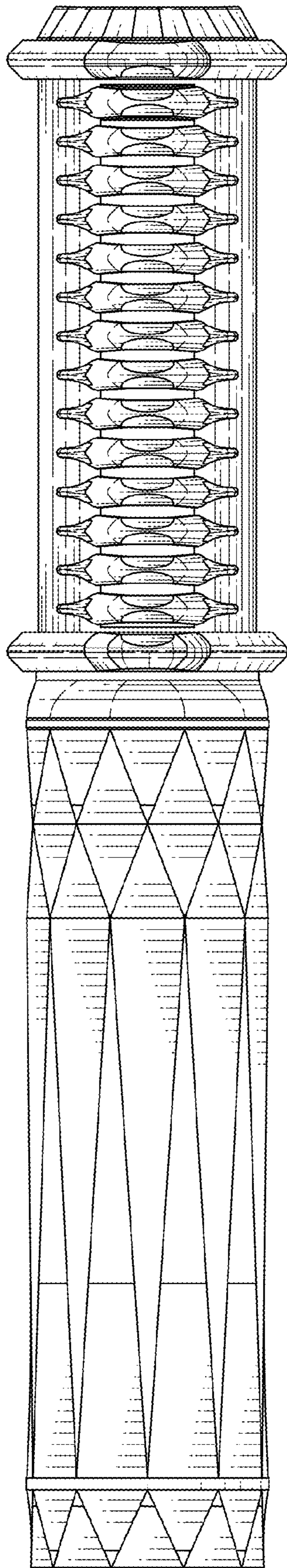


FIG. 5

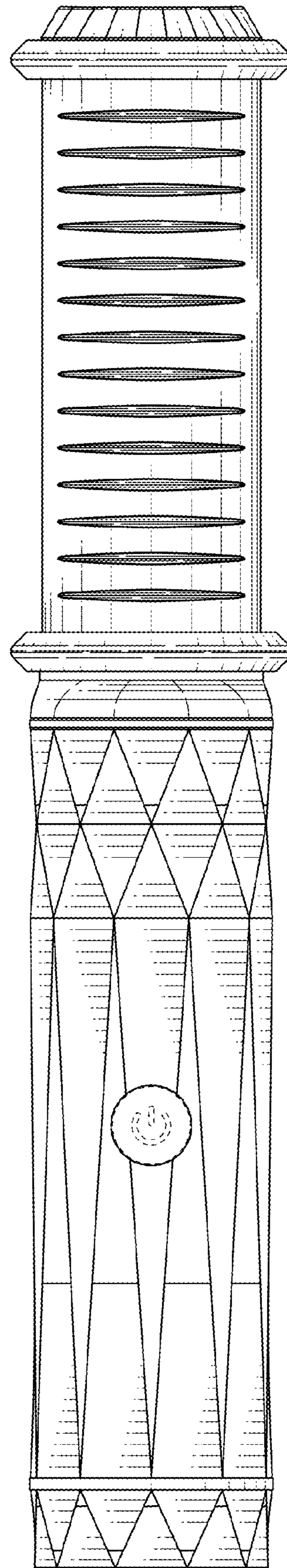


FIG. 6

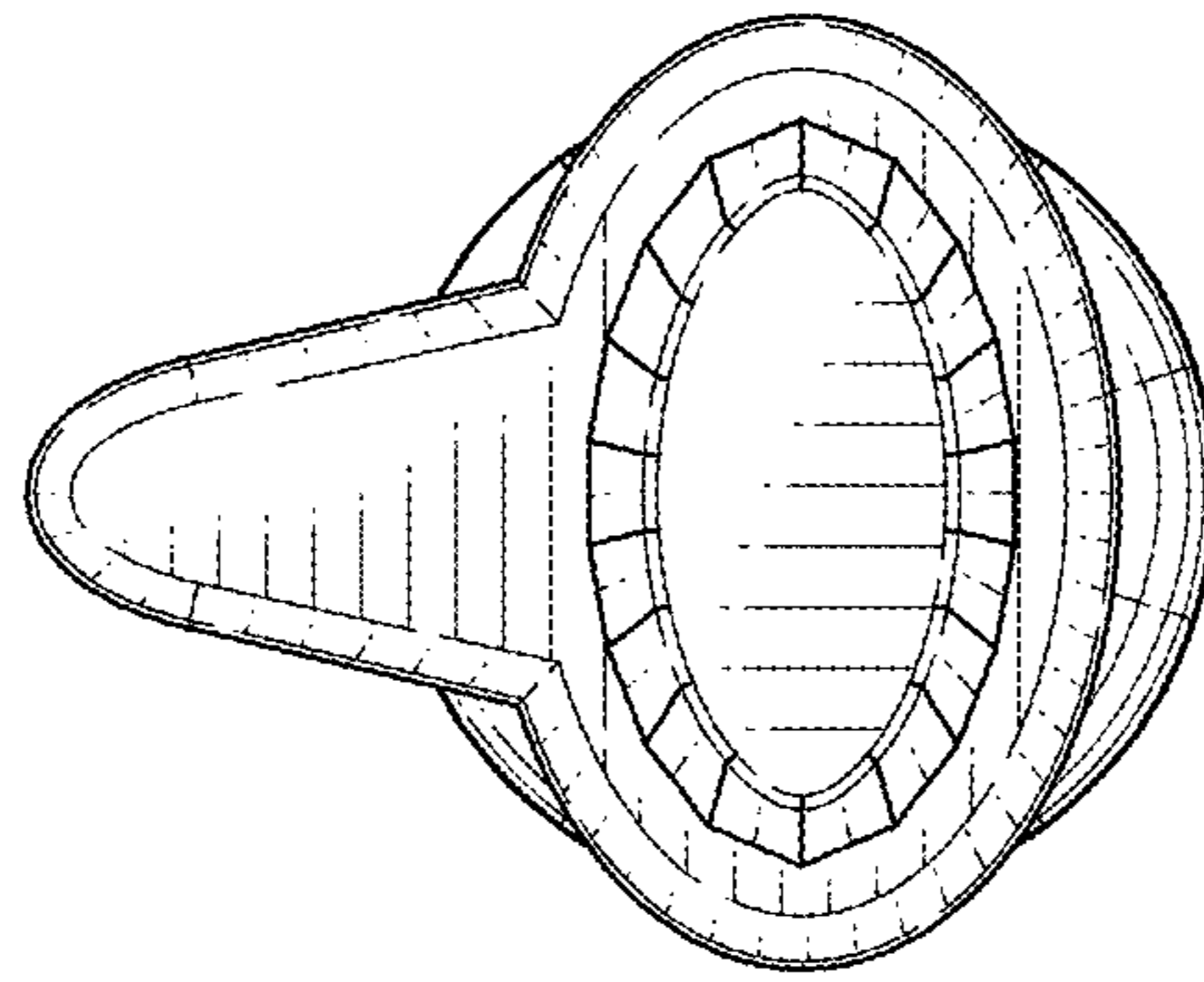


FIG. 7

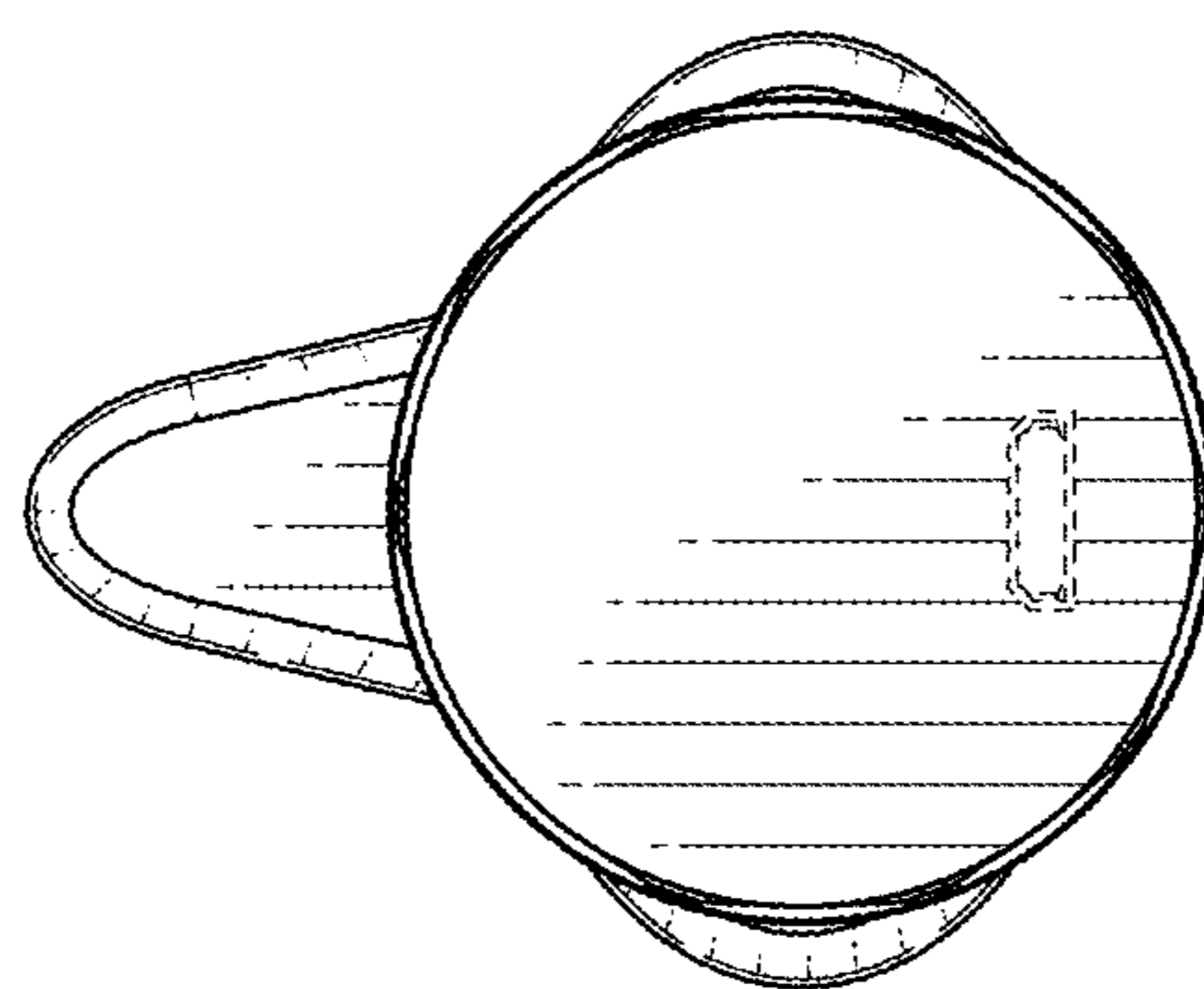


FIG. 8