



US00D983452S

(12) **United States Design Patent**
Liang et al.

(10) **Patent No.: US D983,452 S**
(45) **Date of Patent: ** Apr. 11, 2023**

- (54) **HAIR DRYER**
- (71) Applicant: **Shenzhen Sunselection Technology Co., Ltd.**, Shenzhen (CN)
- (72) Inventors: **Shilin Liang**, Shenzhen (CN); **Xiu Sun**, Shenzhen (CN); **Boming Feng**, Shenzhen (CN); **Xinfeng Song**, Shenzhen (CN)
- (73) Assignee: **SHENZHEN SUNSELECTION TECHNOLOGY CO., LTD.**, Shenzhen (CN)
- (**) Term: **15 Years**
- (21) Appl. No.: **29/783,383**
- (22) Filed: **May 12, 2021**
- (30) **Foreign Application Priority Data**

Nov. 13, 2020 (CN) 202030686614.6

- (51) **LOC (14) Cl.** **28-03**
- (52) **U.S. Cl.**
USPC **D28/17**
- (58) **Field of Classification Search**
USPC D28/12-19; D8/29.1
CPC A45D 20/00; A45D 20/04; A45D 20/08;
A45D 20/10; A45D 20/12; A45D
2020/128
See application file for complete search history.

- (56) **References Cited**
U.S. PATENT DOCUMENTS
D253,012 S * 9/1979 Rakocy D28/16
D257,492 S * 11/1980 Cousins D28/13
4,242,810 A * 1/1981 Blanco A45D 20/16
34/88
4,278,223 A * 7/1981 Fauteux A45D 44/02
219/242

- 4,466,203 A * 8/1984 Thomas A45D 20/12
248/125.3
- D286,923 S * 11/1986 Tsuji D28/13
- 5,174,531 A * 12/1992 Perakis F16M 11/28
D28/17
- 5,970,622 A * 10/1999 Bahman F16M 11/28
34/97
- D720,500 S * 12/2014 Simowitz-Price D28/12
- D901,768 S * 11/2020 Ceva D28/13
- D932,691 S * 10/2021 Wang D28/12
- D932,692 S * 10/2021 Wang D28/12
- 2016/0150864 A1 * 6/2016 Thomason A45D 20/12
34/283
- 2016/0331193 A1 * 11/2016 Brown A45D 20/16
(Continued)

Primary Examiner — Zenia I. Bennett
(74) *Attorney, Agent, or Firm* — Bayramoglu Law Offices LLC

(57) **CLAIM**

The ornamental design for a hair dryer, as shown and described.

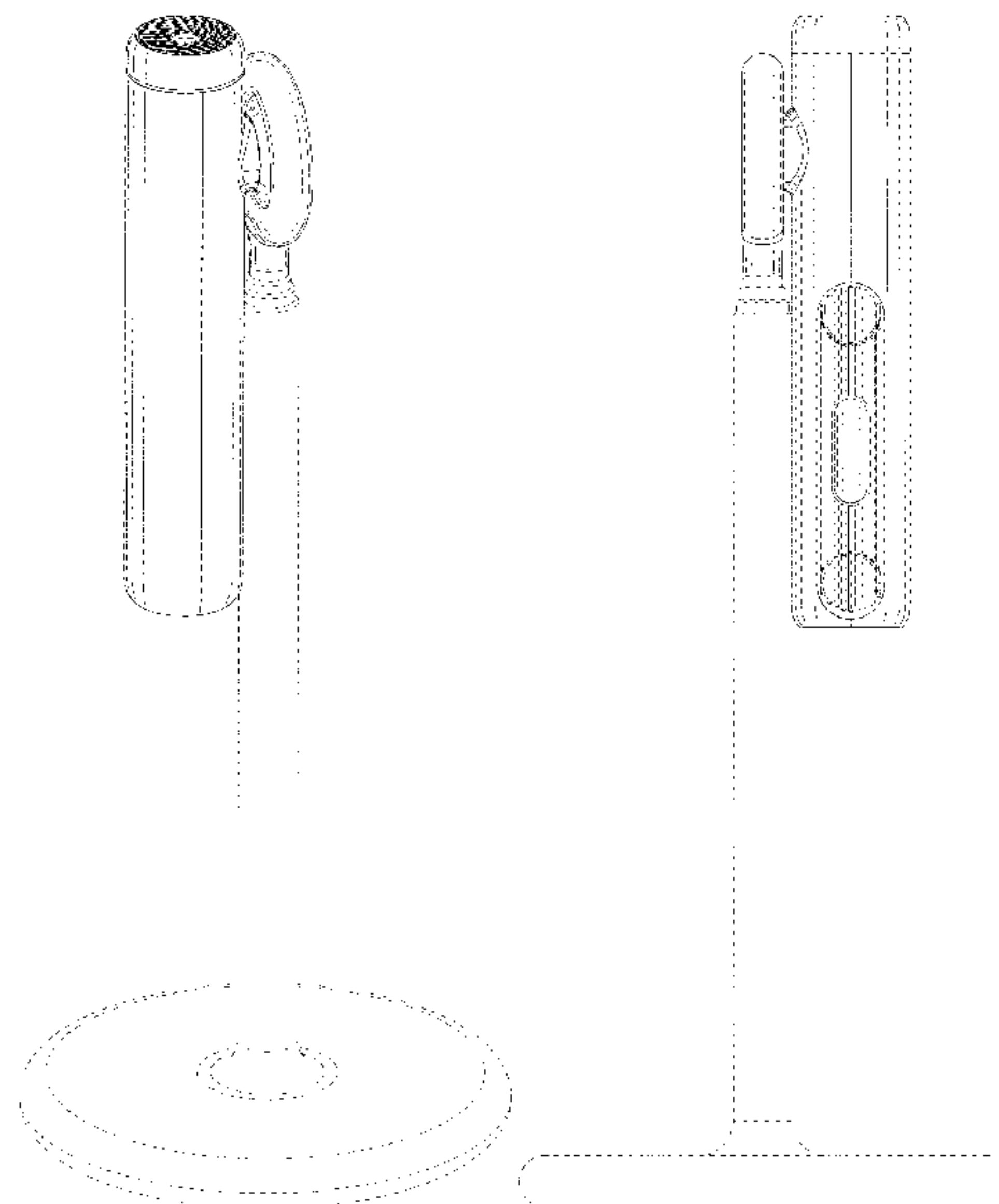
DESCRIPTION

FIG. 1 is a perspective view of a hair dryer showing our new design;
 FIG. 2 is a front view thereof;
 FIG. 3 is a rear view thereof;
 FIG. 4 is a left sideview thereof;
 FIG. 5 is a right side view thereof;
 FIG. 6 is a top view thereof;
 FIG. 7 is another perspective view thereof in used state; and,
 FIG. 8 is a partially enlarged view indicating the circled area "8" in FIG. 7.

The dashed broken lines depict portions of the hair dryer in which the design is embodied that form no part of the claimed design.

The dot-dashed broken lines indicating an enlargement portion of the design form no part of the claimed design.

1 Claim, 8 Drawing Sheets



(56)

References Cited

U.S. PATENT DOCUMENTS

2019/0142133 A1* 5/2019 Smith F16M 11/40
248/160
2020/0352304 A1* 11/2020 Rocha A45D 20/14

* cited by examiner

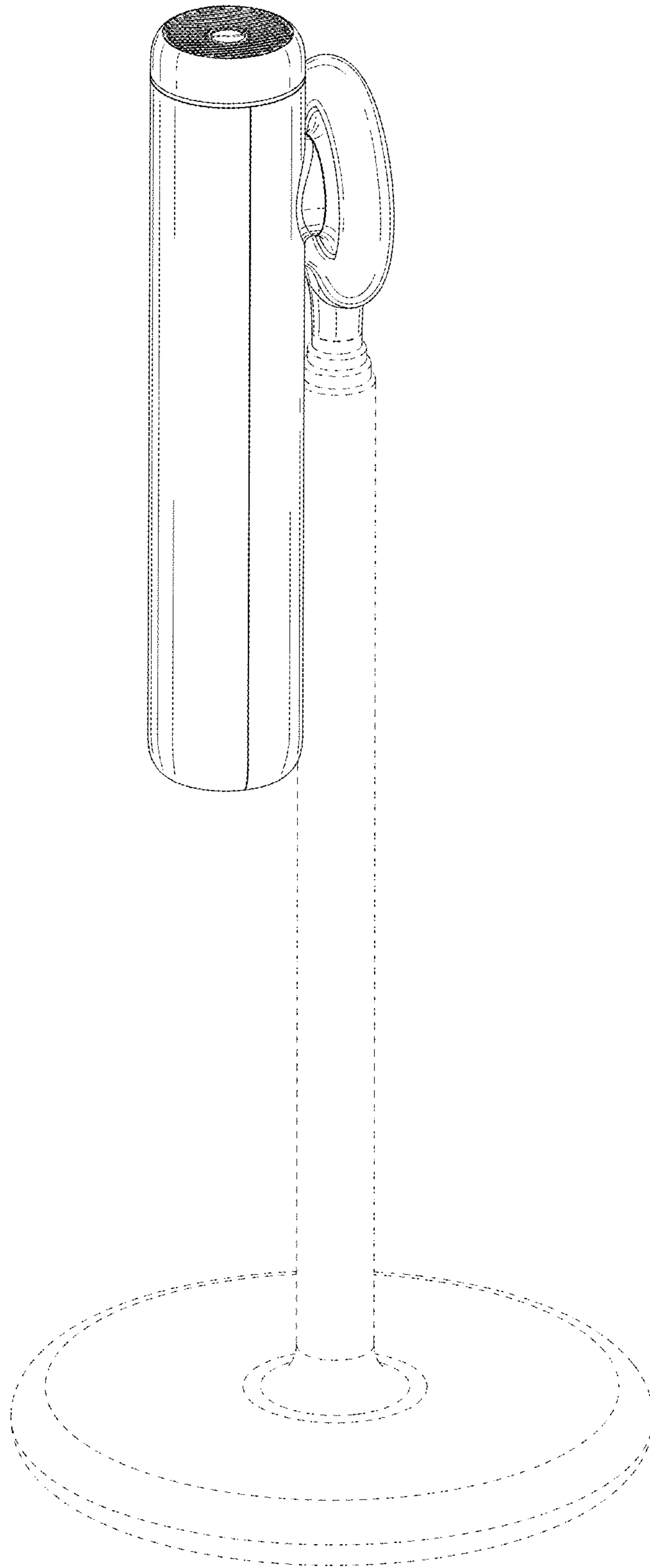


FIG. 1

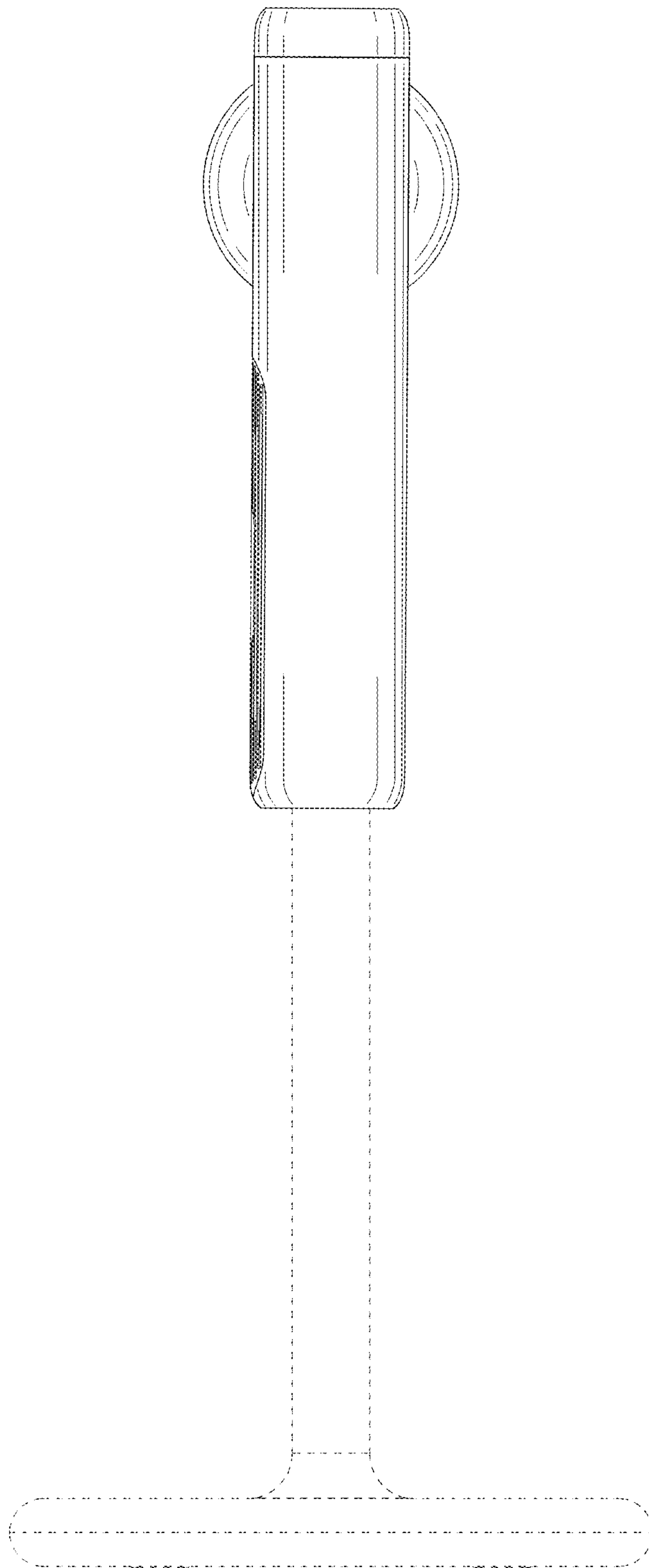


FIG. 2

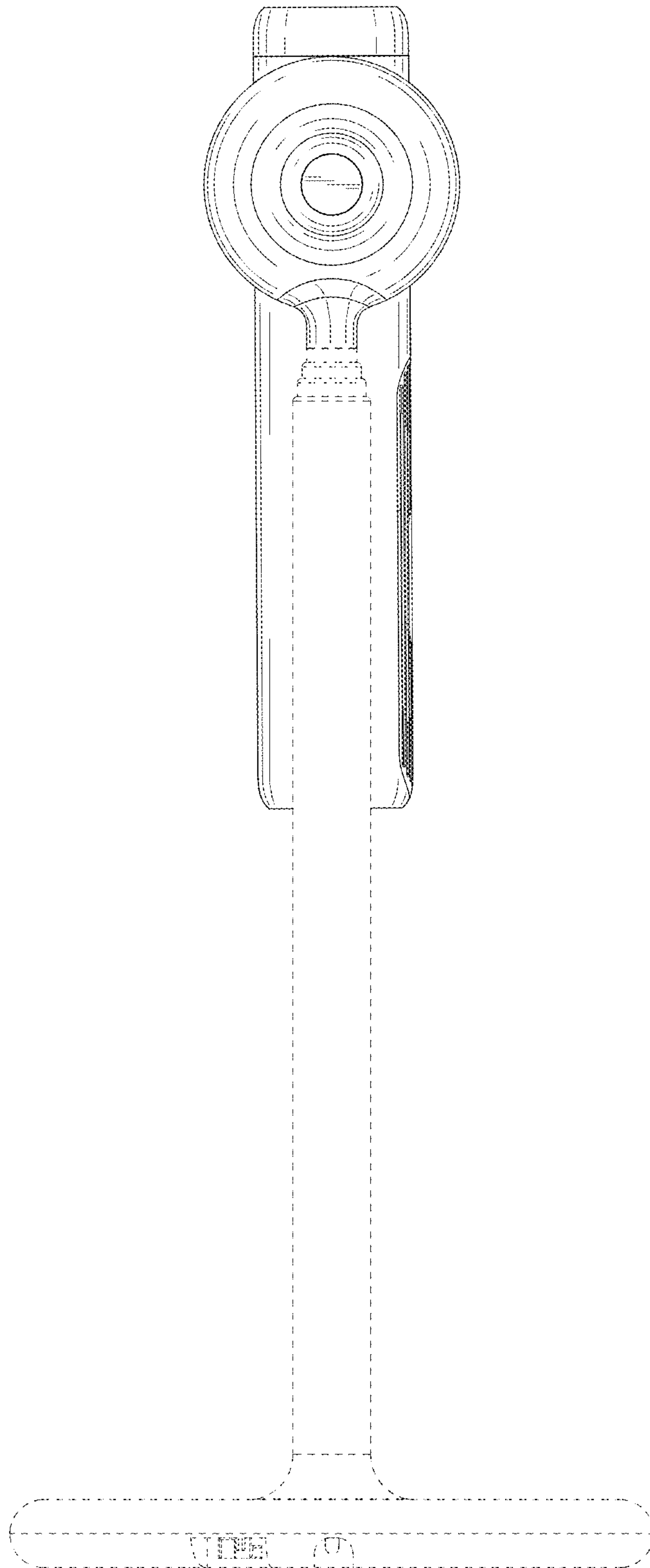


FIG. 3

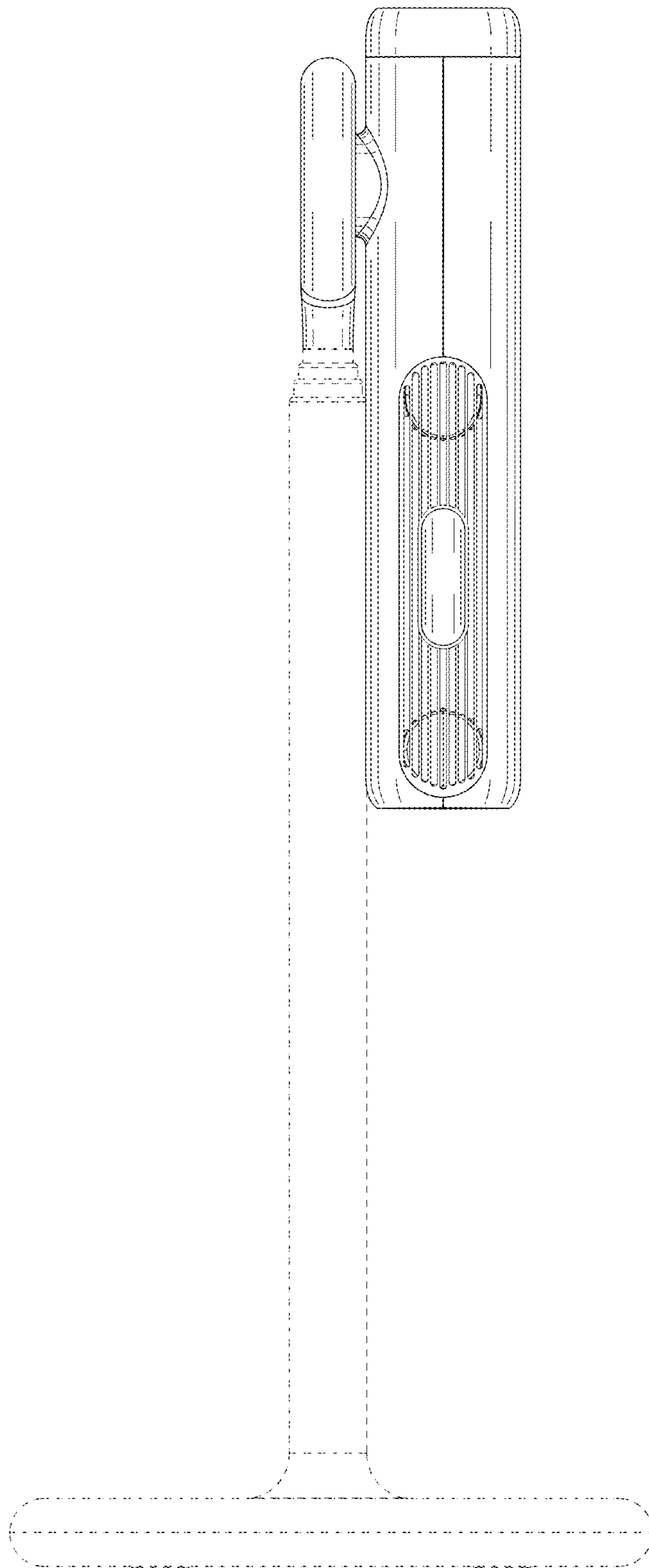


FIG. 4

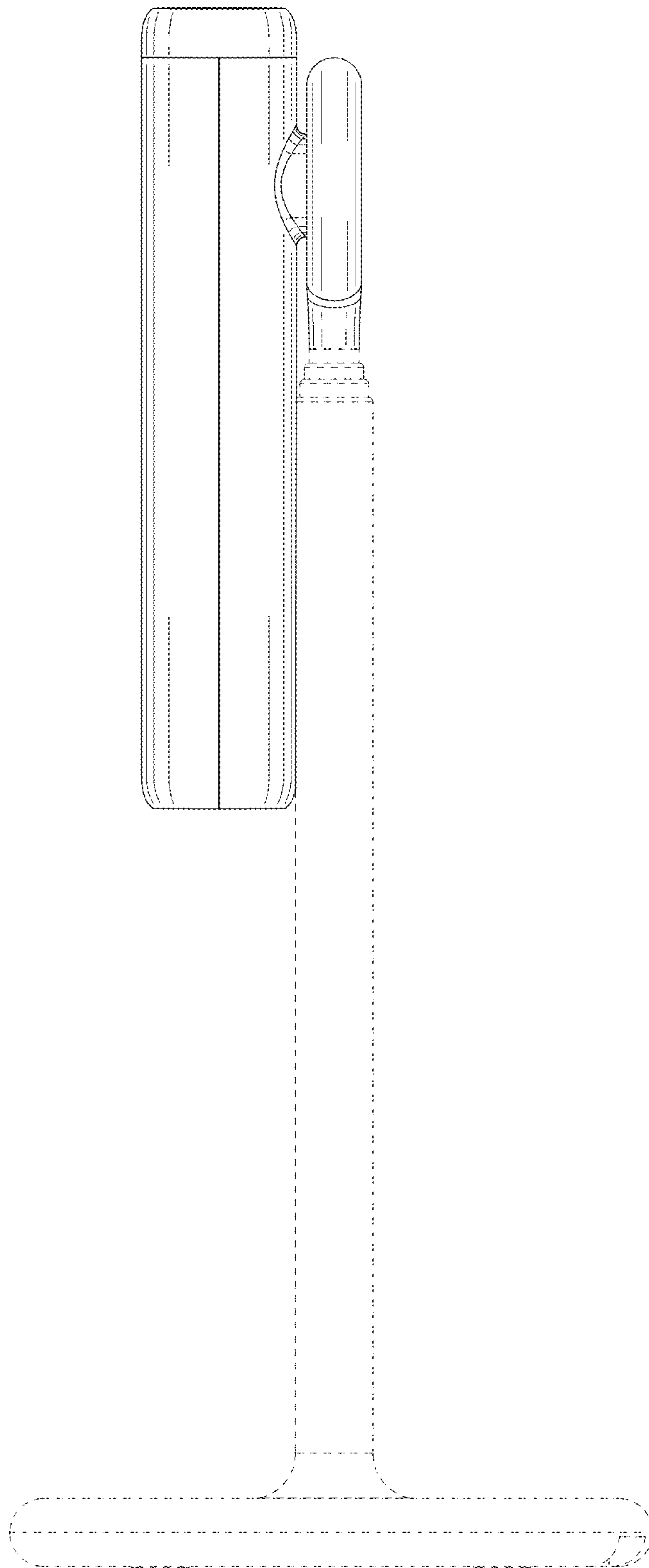


FIG. 5

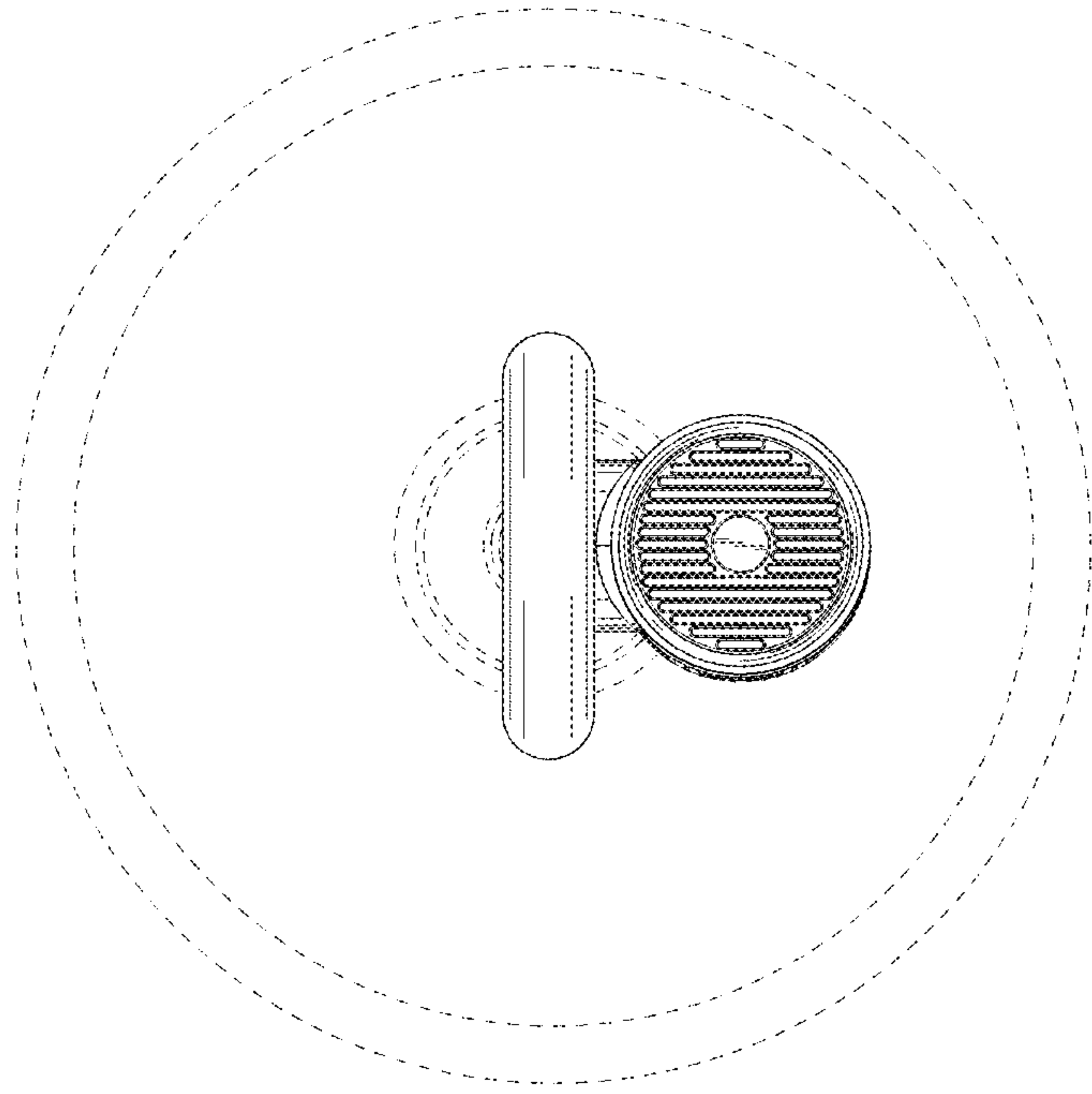


FIG. 6

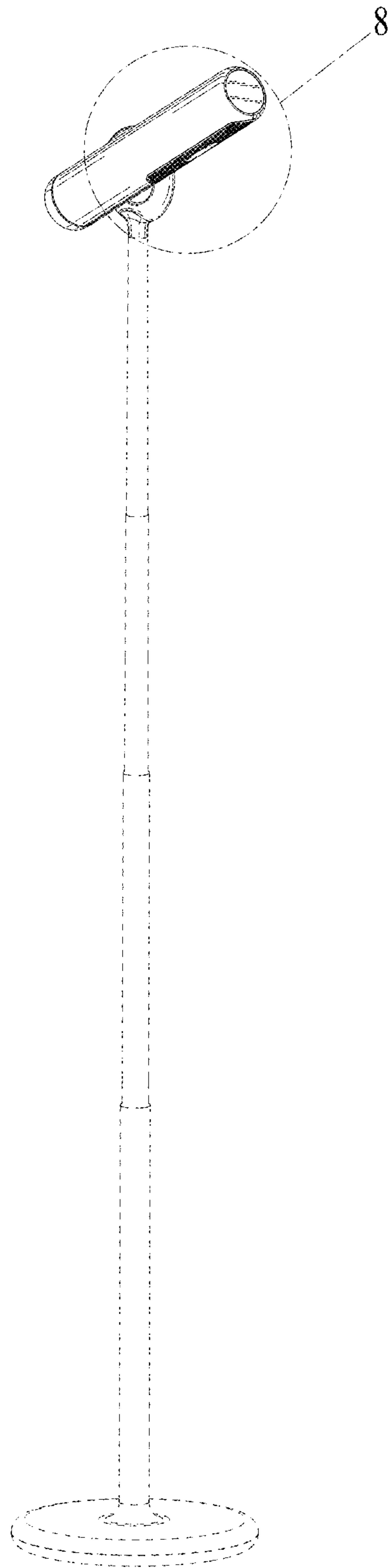


FIG. 7

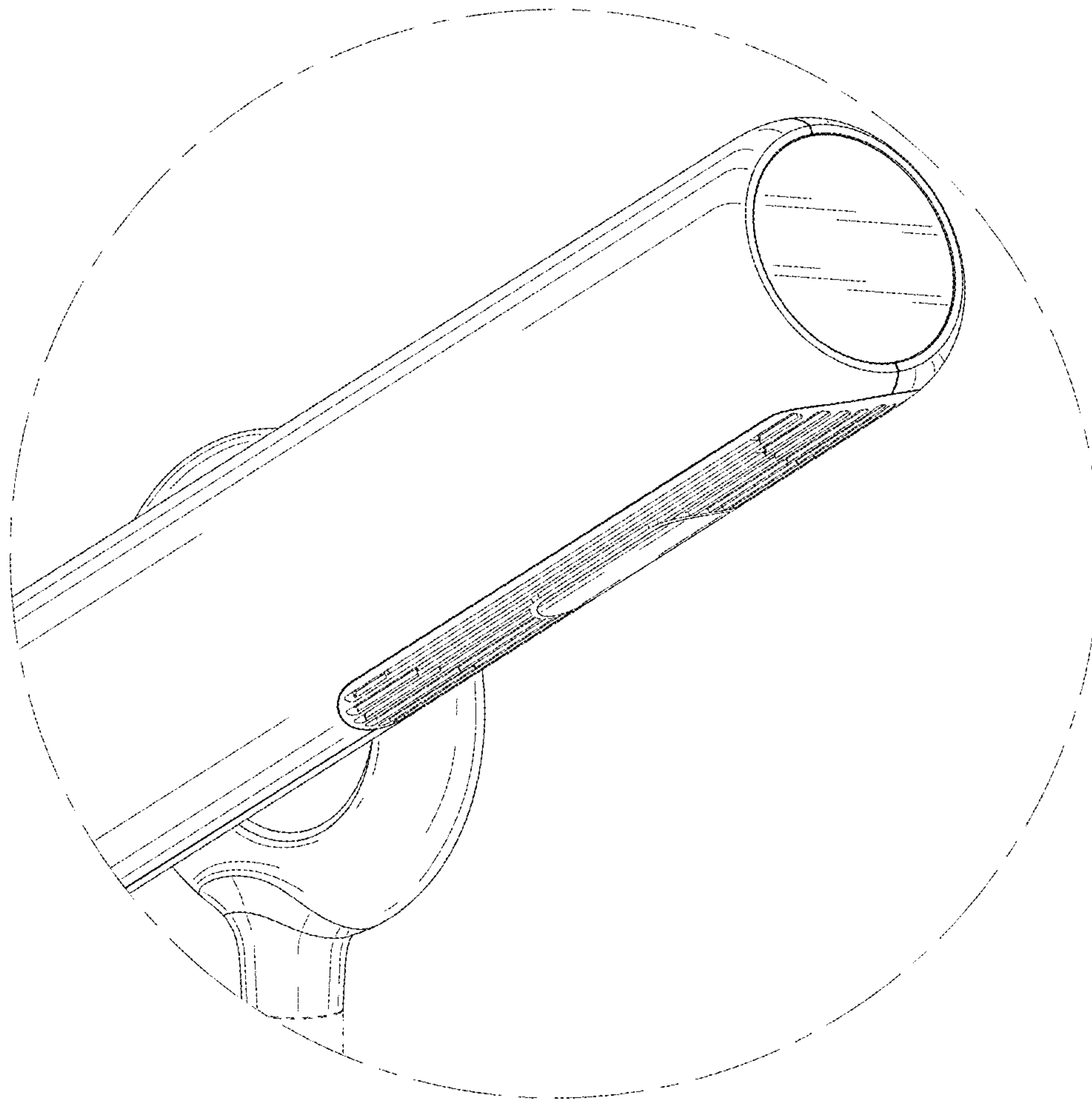


FIG. 8