



US00D983451S

(12) **United States Design Patent**
Hu

(10) **Patent No.:** **US D983,451 S**

(45) **Date of Patent:** **** Apr. 11, 2023**

(54) **HAIR DRYER**

(71) Applicant: **Jiquan Hu**, Guangdong (CN)

(72) Inventor: **Jiquan Hu**, Guangdong (CN)

(**) Term: **15 Years**

(21) Appl. No.: **29/869,394**

(22) Filed: **Dec. 29, 2022**

(51) **LOC (14) Cl.** **28-03**

(52) **U.S. Cl.**
USPC **D28/13**

(58) **Field of Classification Search**
USPC D28/12-19; D8/29.1
CPC A45D 20/00; A45D 20/04; A45D 20/08;
A45D 20/10; A45D 20/12; A45D
2020/128
See application file for complete search history.

(56) **References Cited**

U.S. PATENT DOCUMENTS

D653,393 S * 1/2012 Oh D28/13
D782,731 S * 3/2017 Smith D28/13

D782,733 S * 3/2017 Smith D28/13
D859,738 S * 9/2019 Huang D28/13
D901,766 S * 11/2020 Huang D28/13
D914,966 S 3/2021 Kim
D936,282 S 11/2021 Yue

* cited by examiner

Primary Examiner — Zenia I Bennett

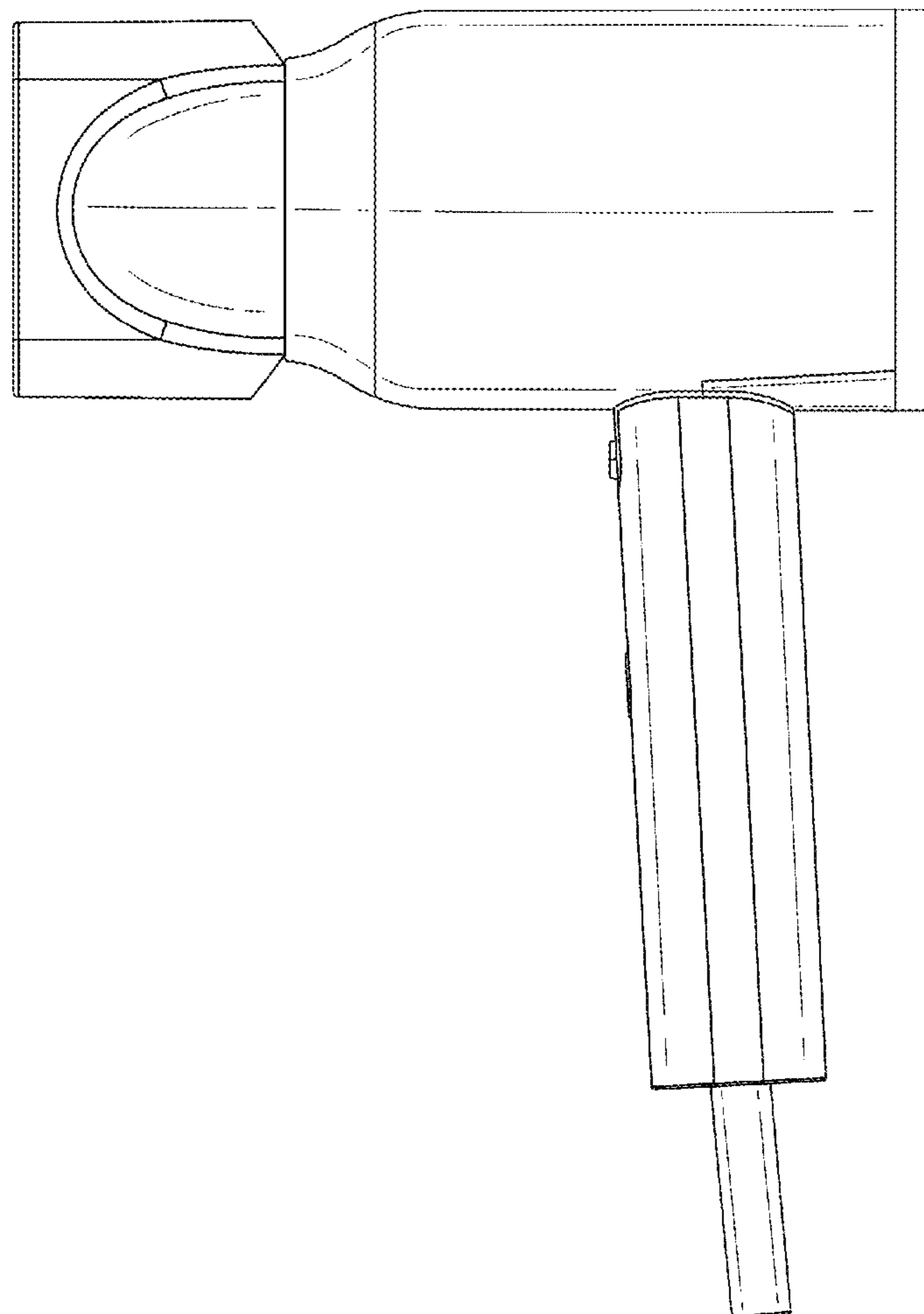
(57) **CLAIM**

The ornamental design for a hair dryer, as shown and described.

DESCRIPTION

FIG. 1 is a top, front, right side perspective view of a hair dryer, showing my new design;
FIG. 2 is a right side elevational view thereof;
FIG. 3 is a left side elevational view thereof;
FIG. 4 is a front elevational view thereof;
FIG. 5 is a back elevational view thereof;
FIG. 6 is a top plan view thereof;
FIG. 7 is a bottom plan view thereof; and,
FIG. 8 is a bottom, back, left side perspective view thereof.

1 Claim, 8 Drawing Sheets



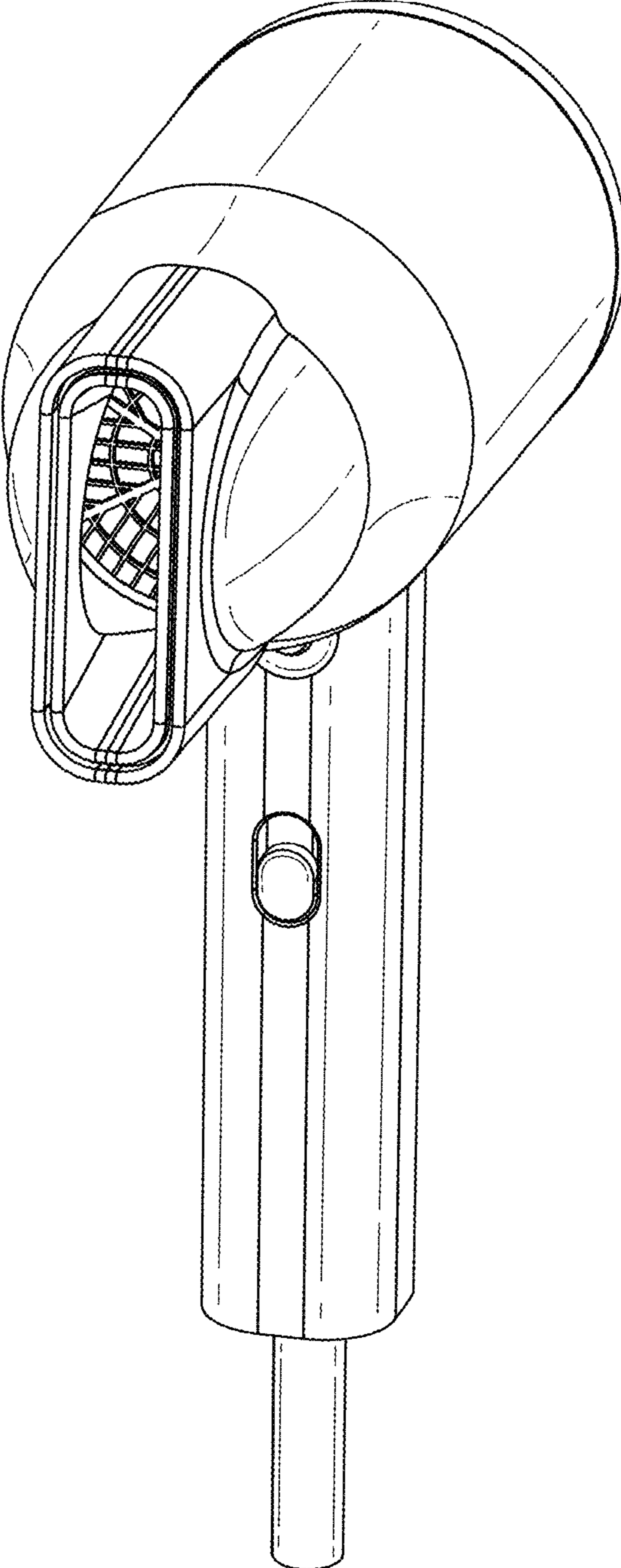


FIG.1

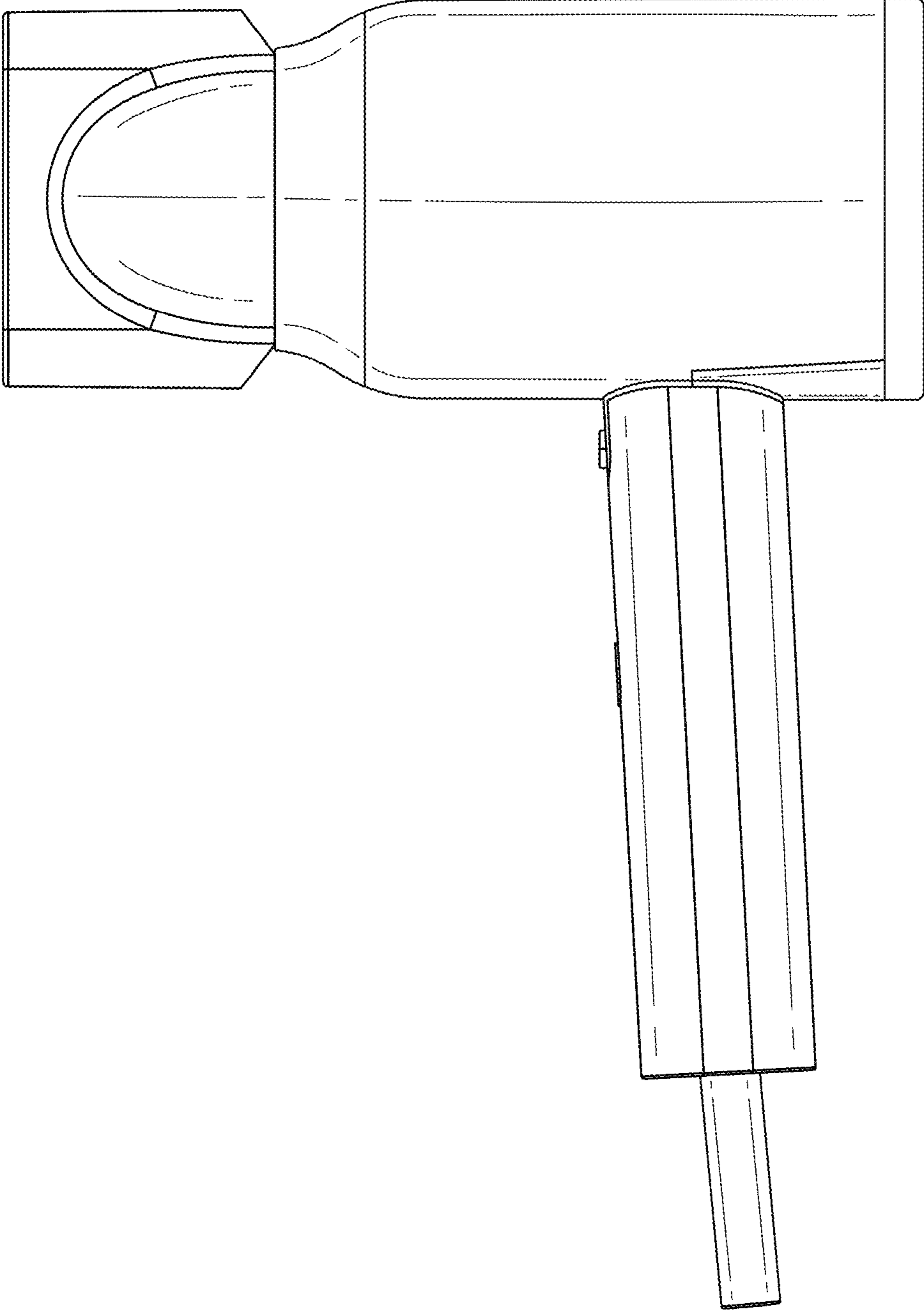


FIG.2

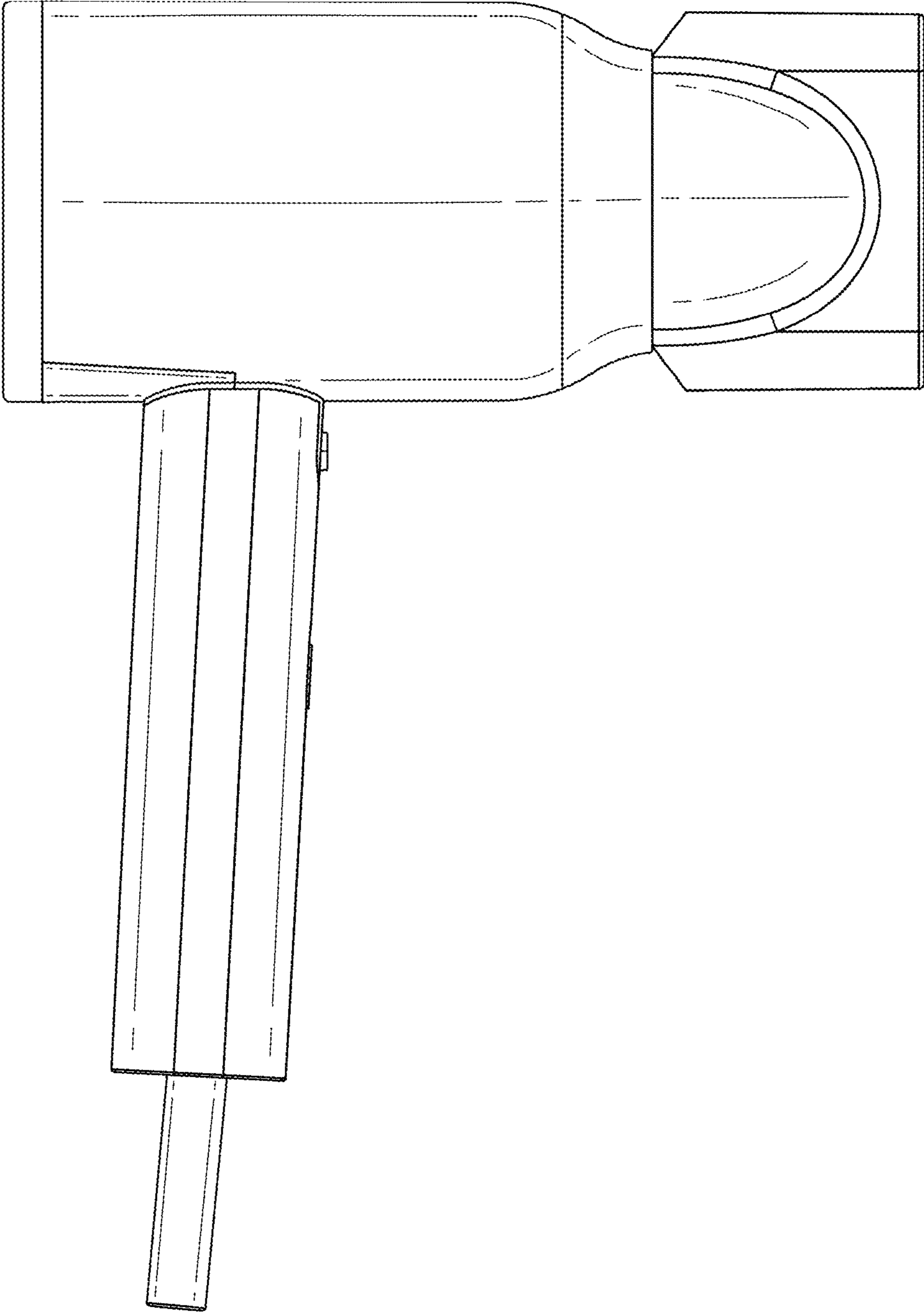


FIG.3

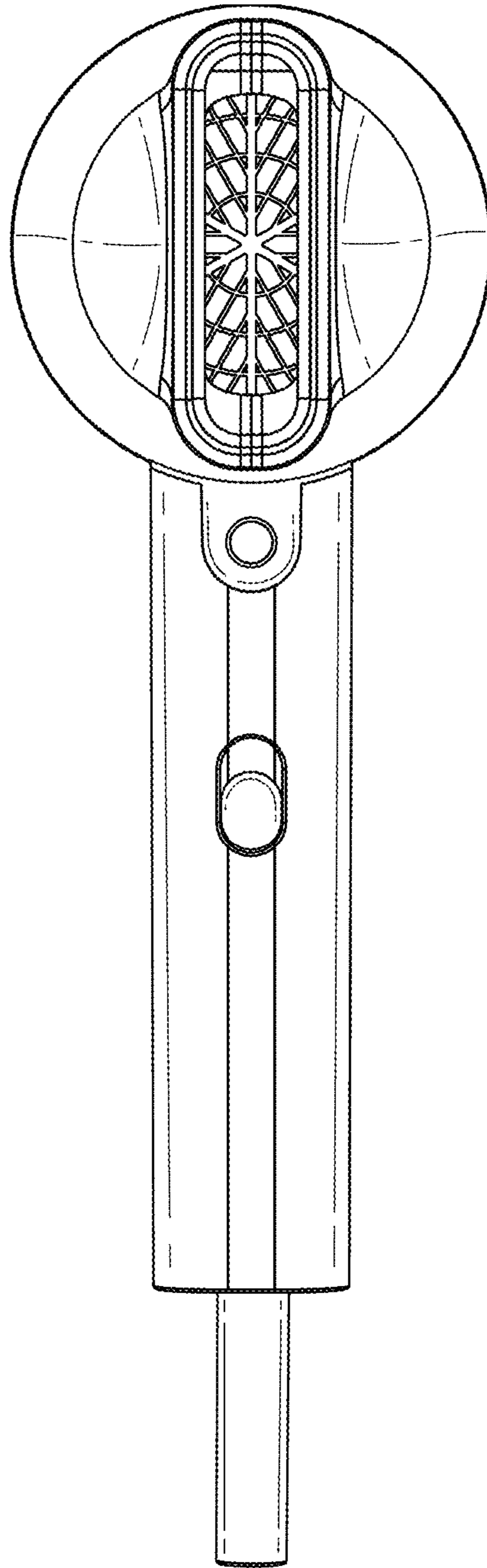


FIG.4

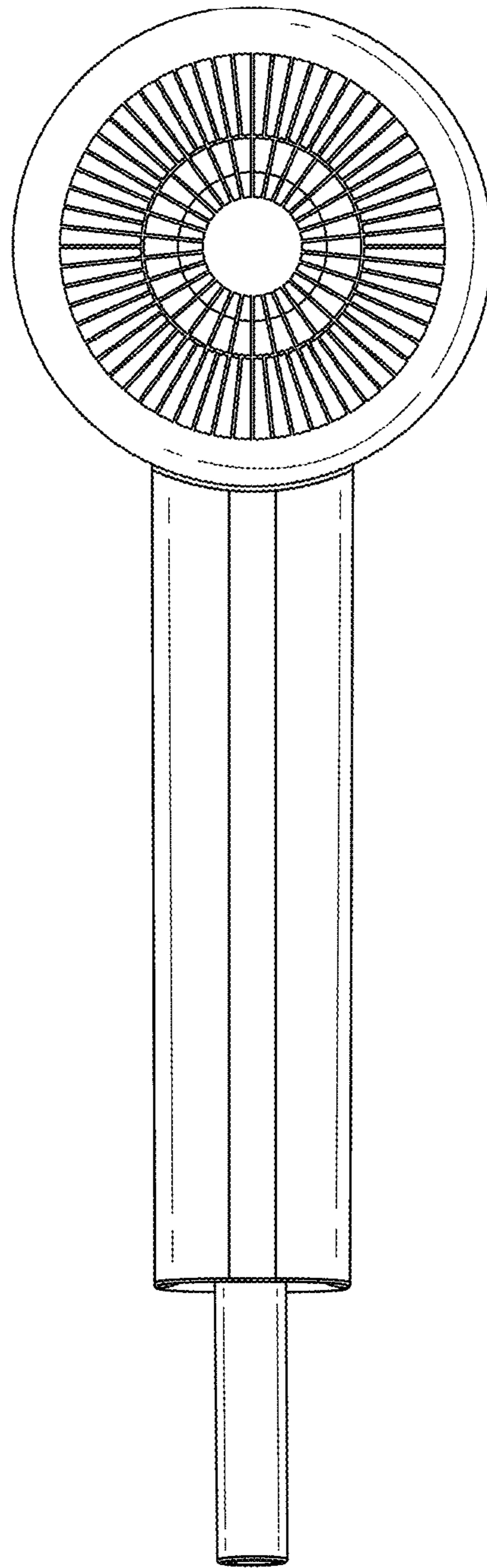


FIG.5

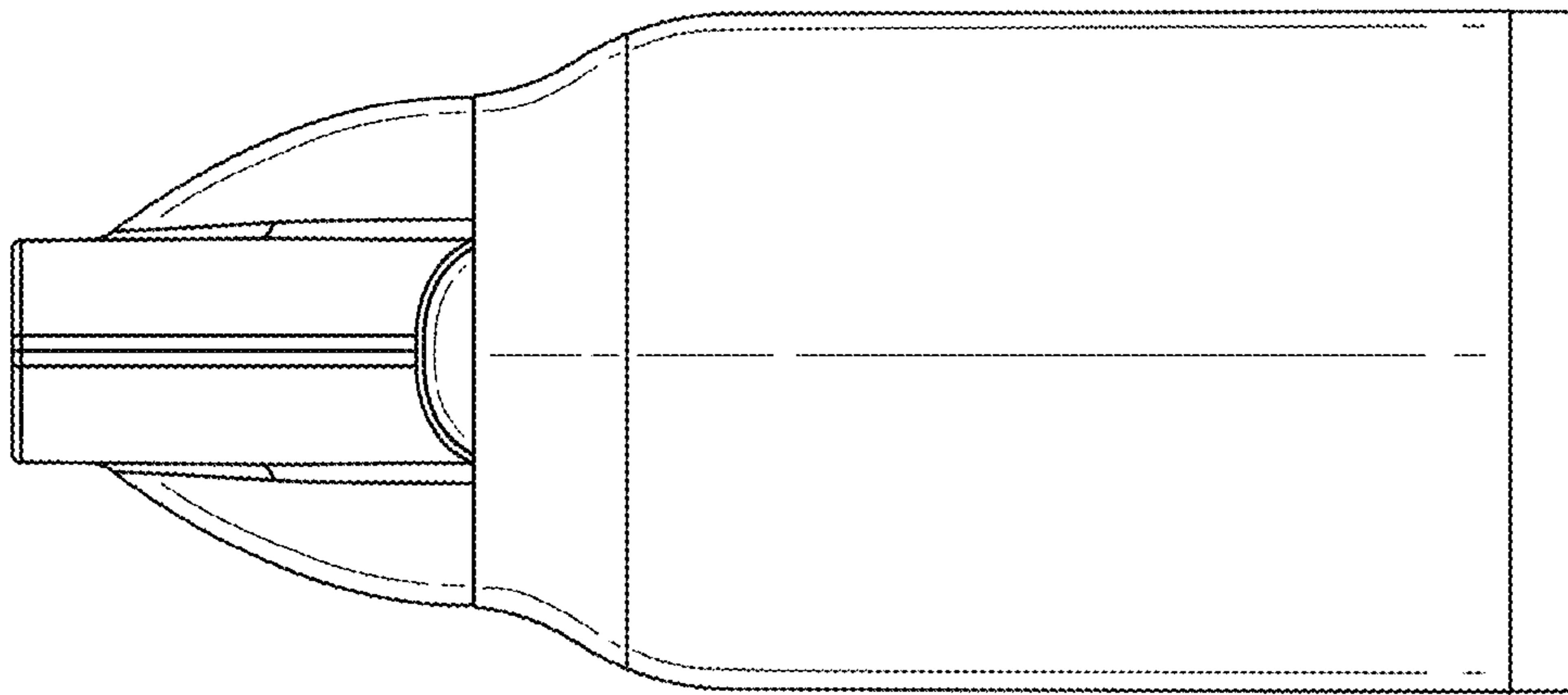


FIG.6

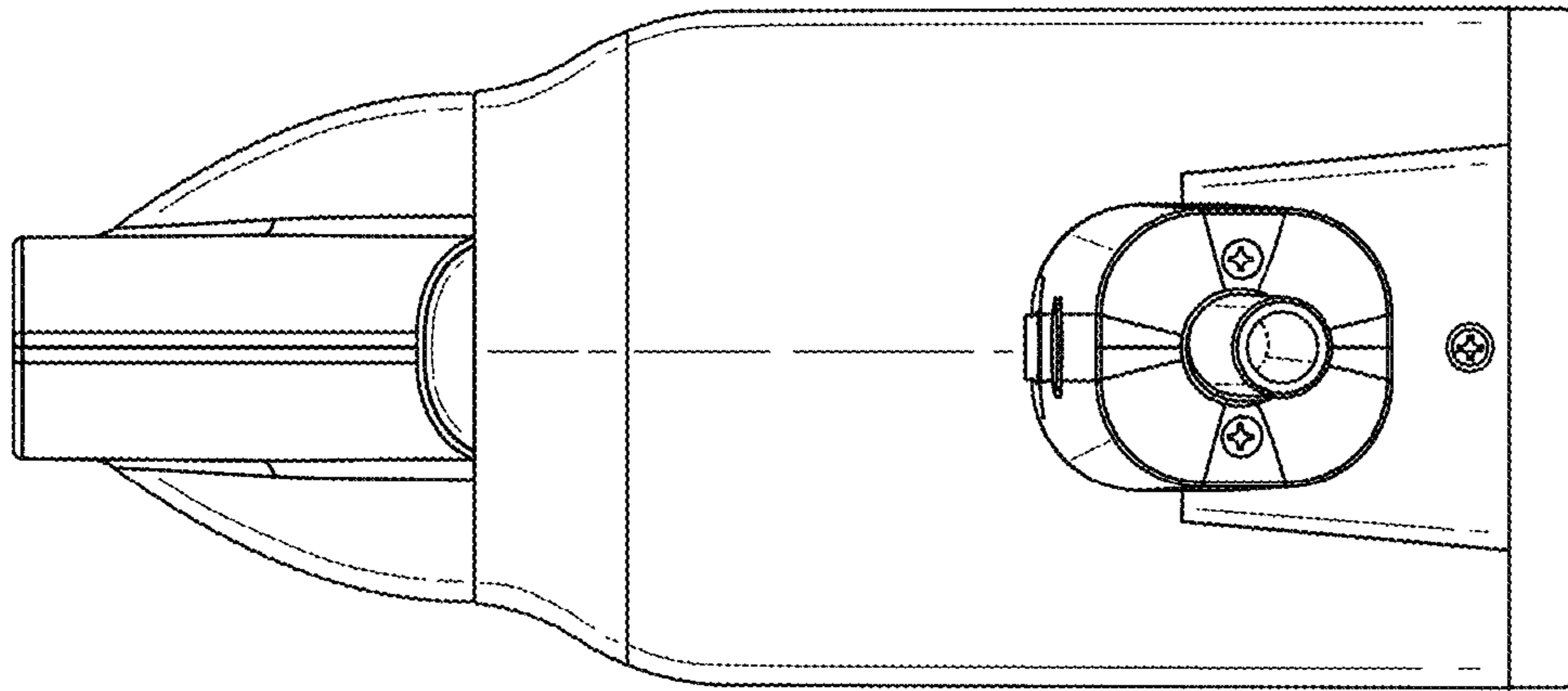


FIG.7

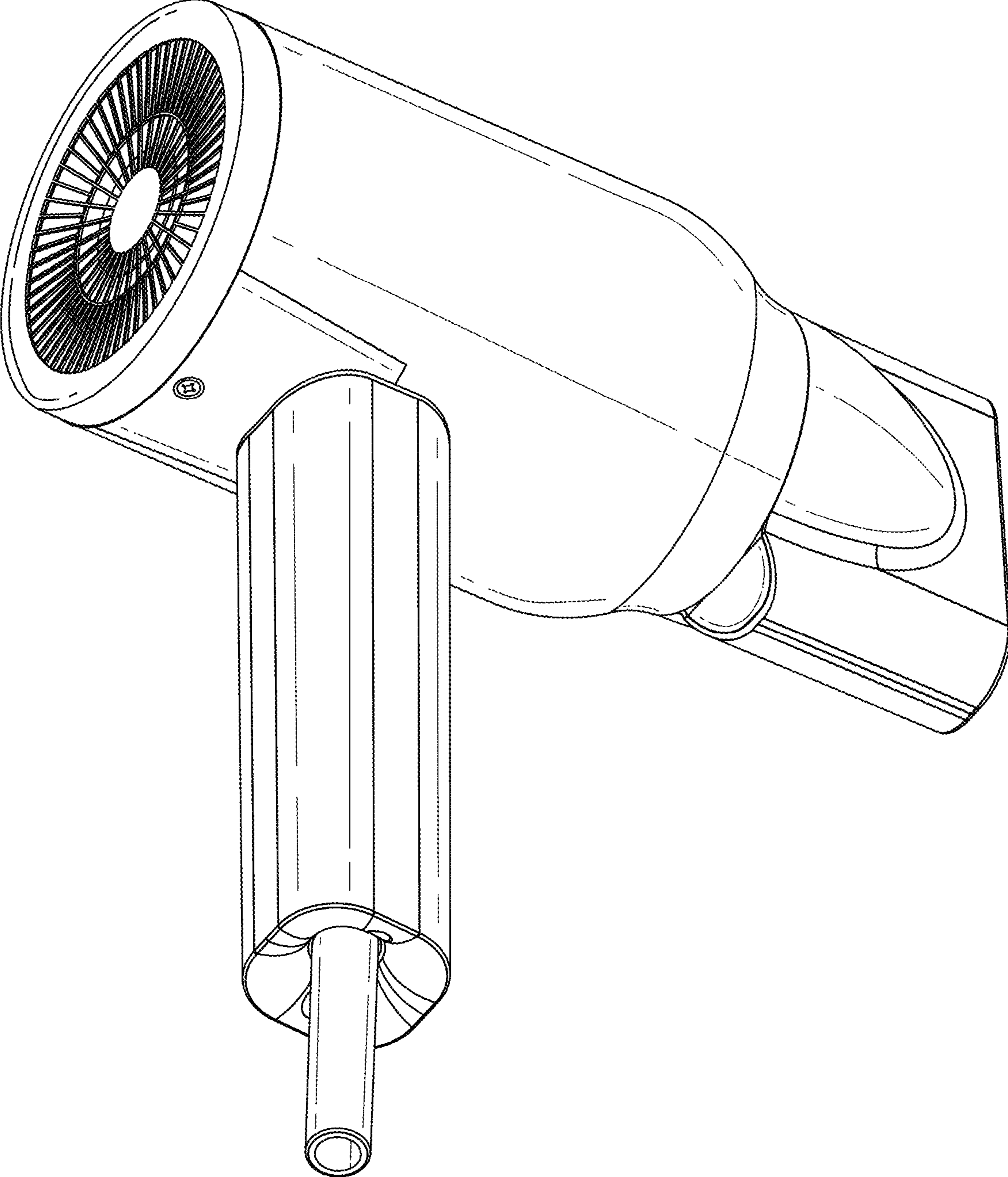


FIG.8