



US00D983449S

(12) **United States Design Patent**  
**Matsuishi**

(10) **Patent No.:** **US D983,449 S**  
(45) **Date of Patent:** **\*\* Apr. 11, 2023**

- (54) **COSMETIC APPLICATOR**
- (71) Applicant: **Midori Matsuishi**, Tokyo (JP)
- (72) Inventor: **Midori Matsuishi**, Tokyo (JP)
- (73) Assignee: **SHISEIDO COMPANY, LIMITED**,  
Tokyo (JP)
- (\*\*) Term: **15 Years**
- (21) Appl. No.: **29/810,334**
- (22) Filed: **Oct. 4, 2021**
- (51) **LOC (14) Cl.** ..... **28-03**
- (52) **U.S. Cl.**  
USPC ..... **D28/7**
- (58) **Field of Classification Search**  
USPC ..... D28/4, 7, 9, 20, 76, 85; D19/36  
CPC . A45D 40/20; A45D 40/24; A45D 2200/1072  
See application file for complete search history.

(56) **References Cited**

**U.S. PATENT DOCUMENTS**

- D538,975 S \* 3/2007 Montoli ..... D28/7
- D617,045 S \* 6/2010 Uehara ..... D28/7
- D628,741 S \* 12/2010 Uehara ..... D28/7

- 7,866,327 B1 \* 1/2011 Gueret ..... A45D 34/046  
132/218
- 8,286,649 B2 \* 10/2012 Gueret ..... A45D 40/267  
132/320
- 8,640,716 B2 \* 2/2014 Shimamura ..... A45D 34/04  
132/218
- D826,473 S \* 8/2018 Pires ..... D28/7
- 2007/0181143 A1 \* 8/2007 Montoli ..... A45D 34/04  
132/320

\* cited by examiner

*Primary Examiner* — Zenia I Bennett

(74) *Attorney, Agent, or Firm* — Manabu Kanesaka

(57) **CLAIM**

The ornamental design for a cosmetic applicator, as shown and described.

**DESCRIPTION**

FIG. 1 is a perspective view of a cosmetic applicator showing my new design;  
 FIG. 2 is a front view thereof;  
 FIG. 3 is a rear view;  
 FIG. 4 is a plan view thereof;  
 FIG. 5 is a bottom view thereof;  
 FIG. 6 is a left side view thereof; and,  
 FIG. 7 is a right side view thereof.

**1 Claim, 3 Drawing Sheets**

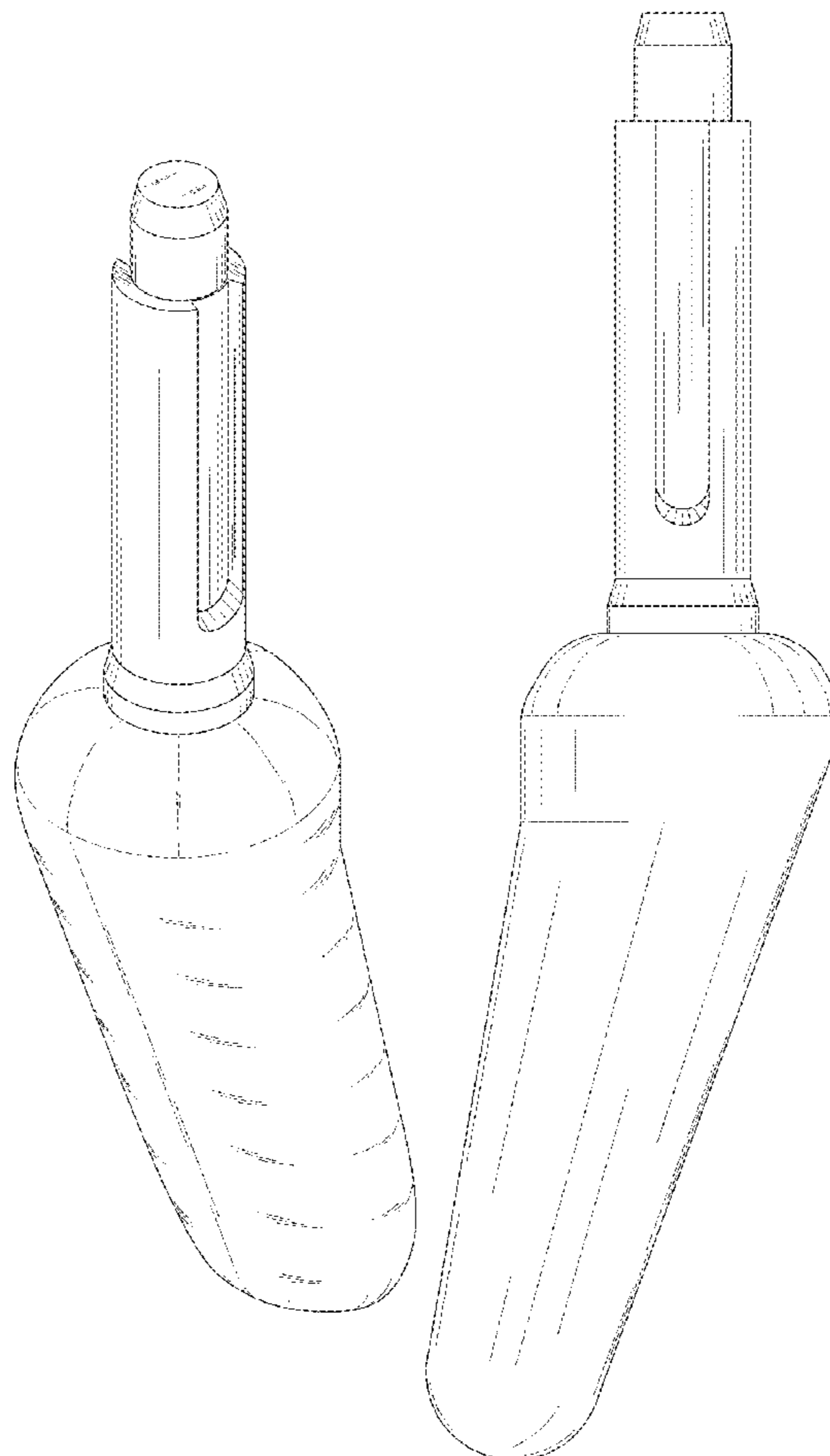


Fig.1

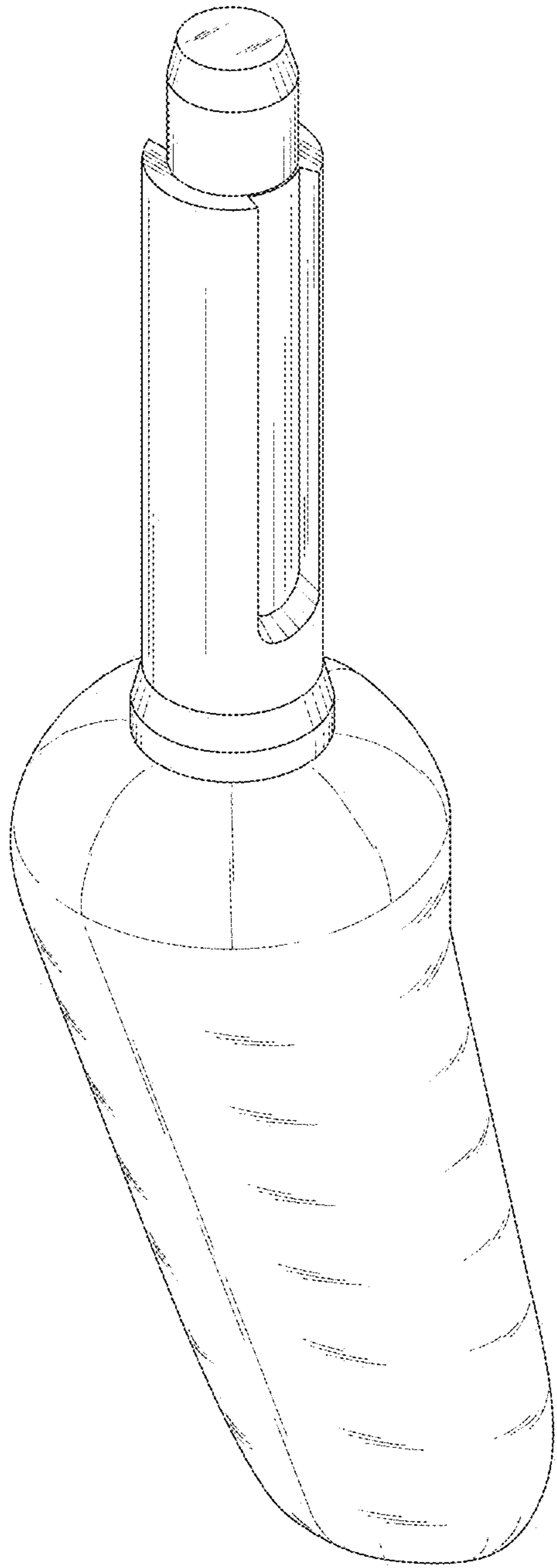


Fig.2

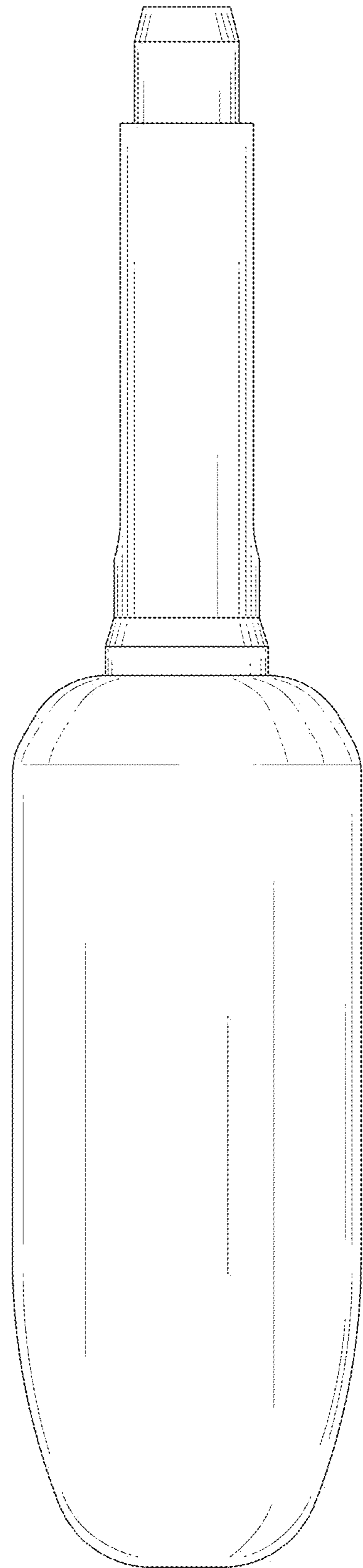


Fig.3

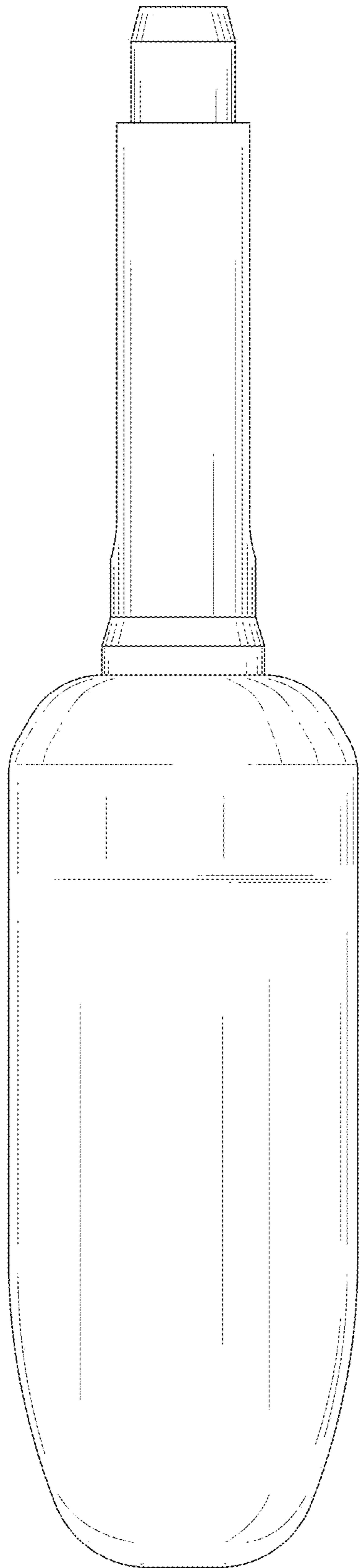


Fig.4

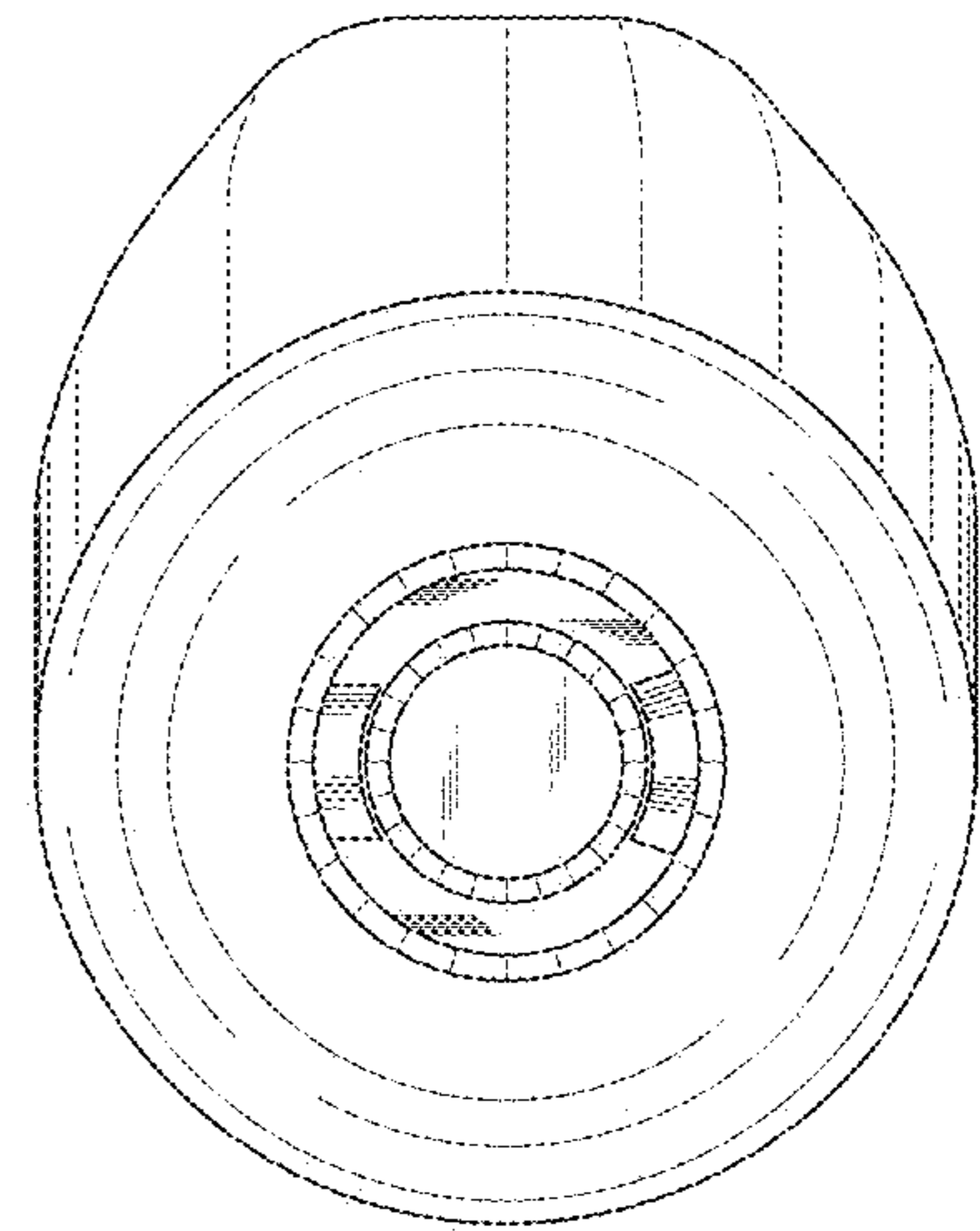


Fig.5

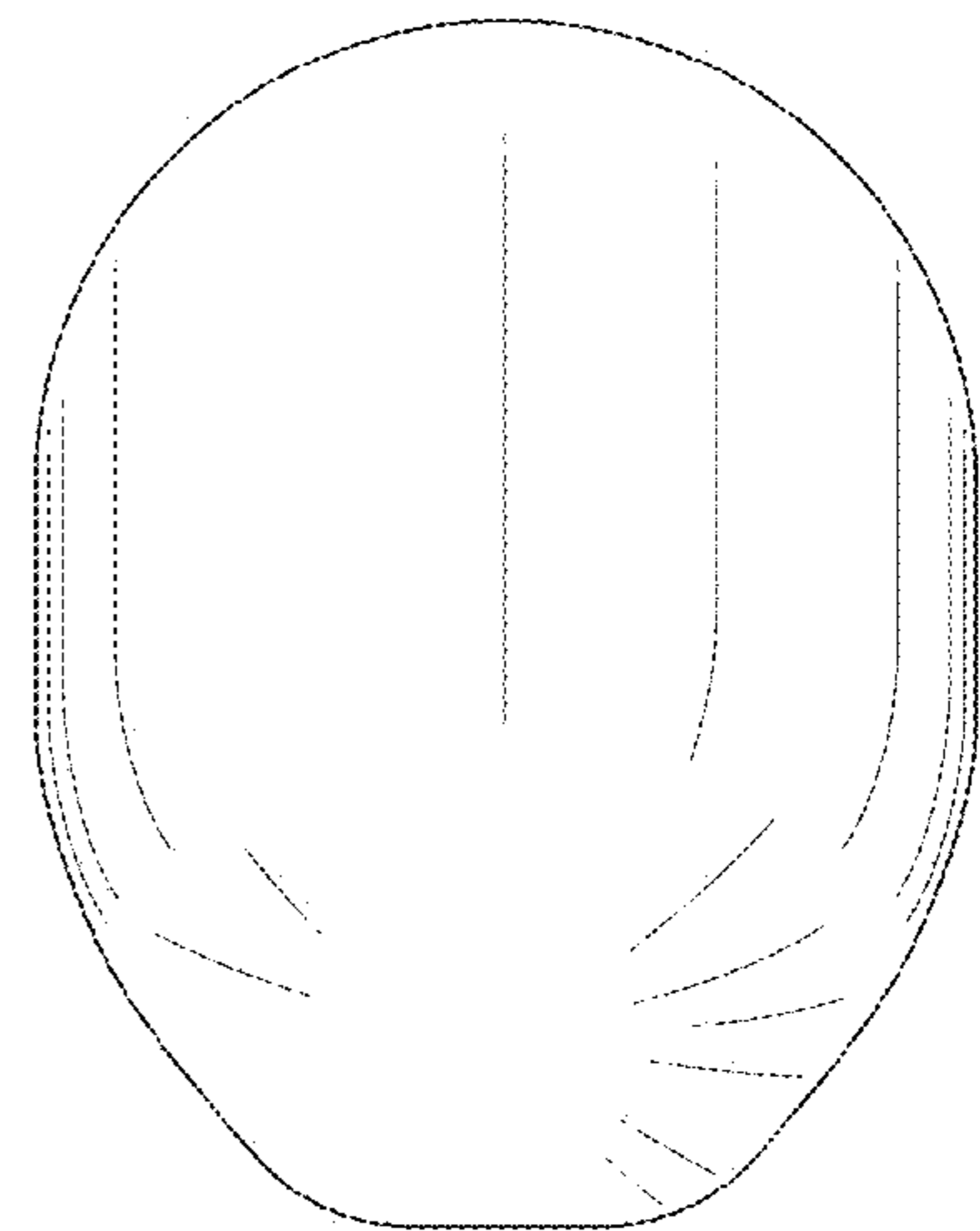


Fig.6

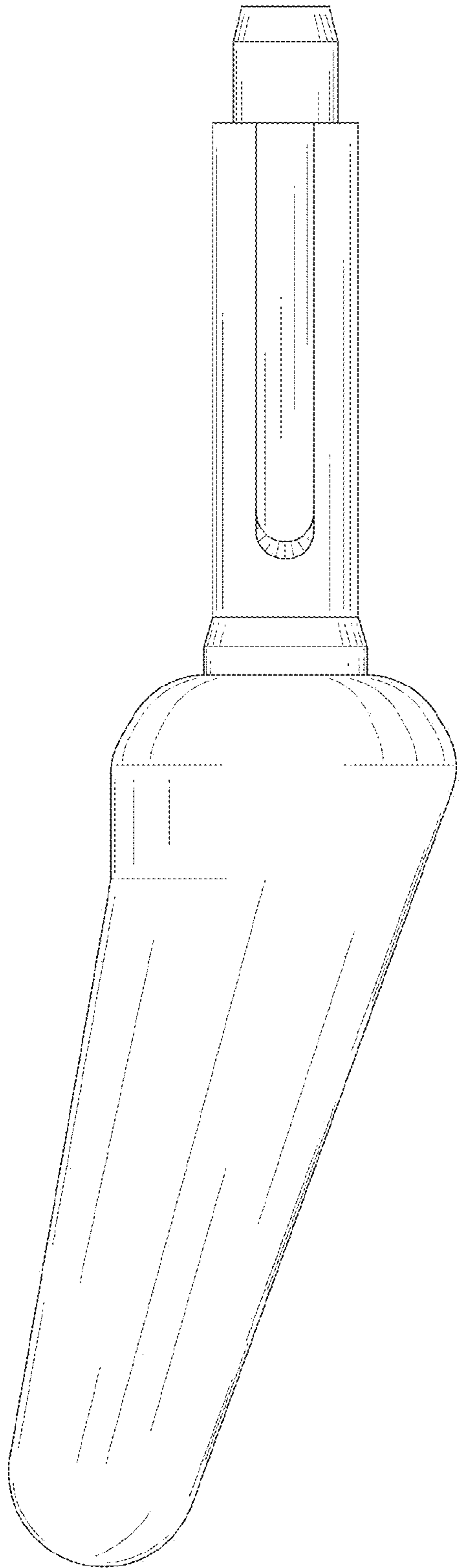


Fig.7

