



US00D983448S

(12) **United States Design Patent**  
**Matsuishi**

(10) **Patent No.:** **US D983,448 S**

(45) **Date of Patent:** **\*\* Apr. 11, 2023**

(54) **COSMETIC APPLICATOR**

(71) Applicant: **Midori Matsuishi**, Tokyo (JP)

(72) Inventor: **Midori Matsuishi**, Tokyo (JP)

(73) Assignee: **SHISEIDO COMPANY, LIMITED**,  
Tokyo (JP)

(\*\*) Term: **15 Years**

(21) Appl. No.: **29/810,332**

(22) Filed: **Oct. 4, 2021**

(51) **LOC (14) Cl.** ..... **28-03**

(52) **U.S. Cl.**  
USPC ..... **D28/7**

(58) **Field of Classification Search**  
USPC ..... D28/4, 7, 9, 20, 76, 85; D19/36  
CPC . A45D 40/20; A45D 40/24; A45D 2200/1072  
See application file for complete search history.

(56) **References Cited**

**U.S. PATENT DOCUMENTS**

D538,975 S *	3/2007	Montoli	.....	D28/7
D617,045 S *	6/2010	Uehara	.....	D28/7
D628,741 S *	12/2010	Uehara	.....	D28/7
7,866,327 B1 *	1/2011	Gueret	.....	A45D 34/04 132/218
8,286,649 B2 *	10/2012	Gueret	.....	A45D 40/267 132/320

8,640,716 B2 \* 2/2014 Shimamura ..... A45D 34/04  
132/218

D826,473 S \* 8/2018 Pires ..... D28/7  
2007/0181143 A1 \* 8/2007 Montoli ..... A45D 34/04  
132/320

\* cited by examiner

*Primary Examiner* — Zenia I Bennett

(74) *Attorney, Agent, or Firm* — Manabu Kanesaka

(57) **CLAIM**

The ornamental design for a cosmetic applicator, as shown and described.

**DESCRIPTION**

FIG. 1 is a perspective view of a cosmetic applicator showing my new design;

FIG. 2 is a front view thereof;

FIG. 3 is a rear view;

FIG. 4 is a plan view thereof;

FIG. 5 is a bottom view thereof;

FIG. 6 is a left side view thereof; and,

FIG. 7 is a right side view thereof.

The broken lines depict portions of the cosmetic applicator that form no part of claimed design.

**1 Claim, 3 Drawing Sheets**

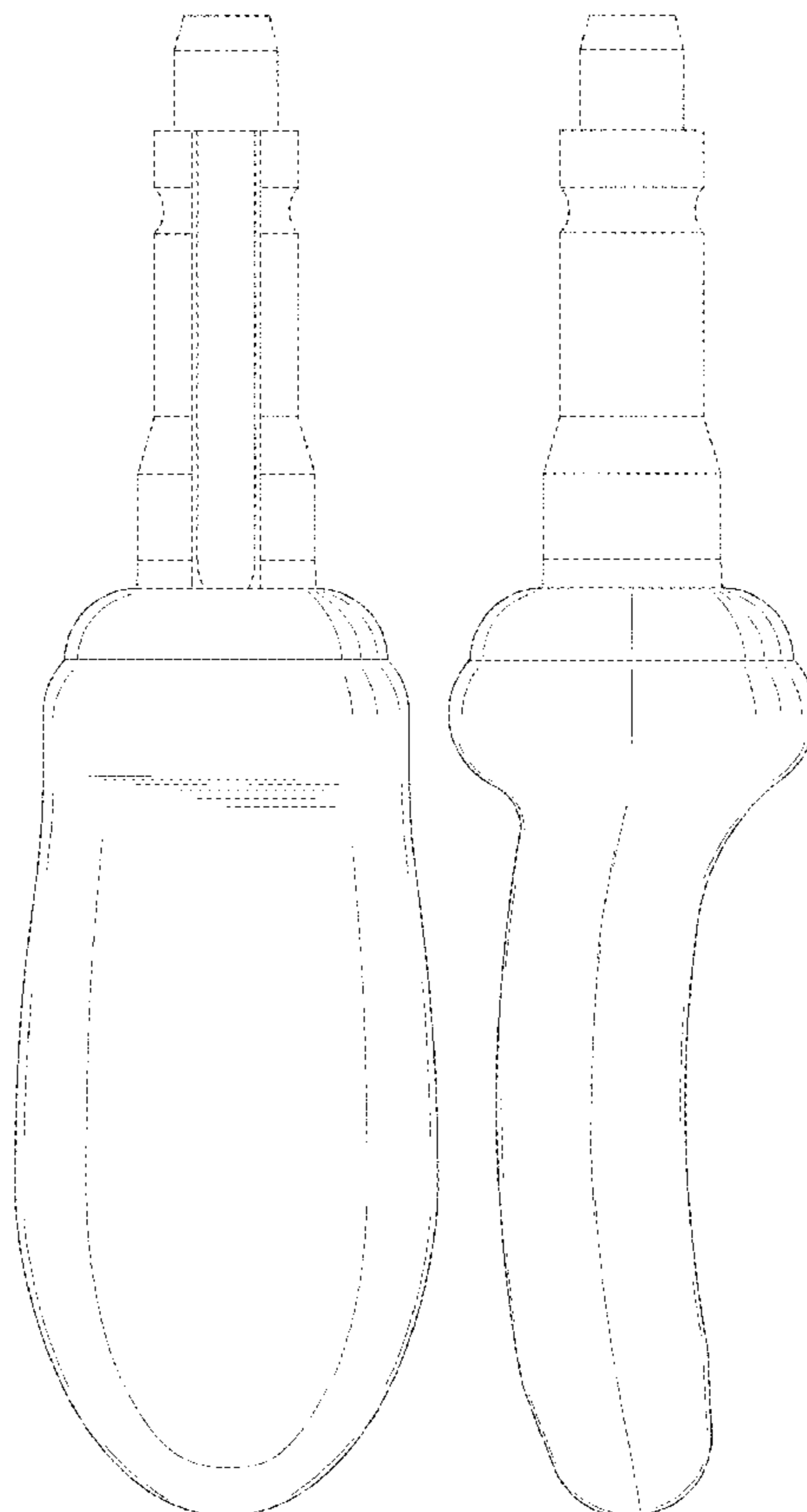


Fig.1

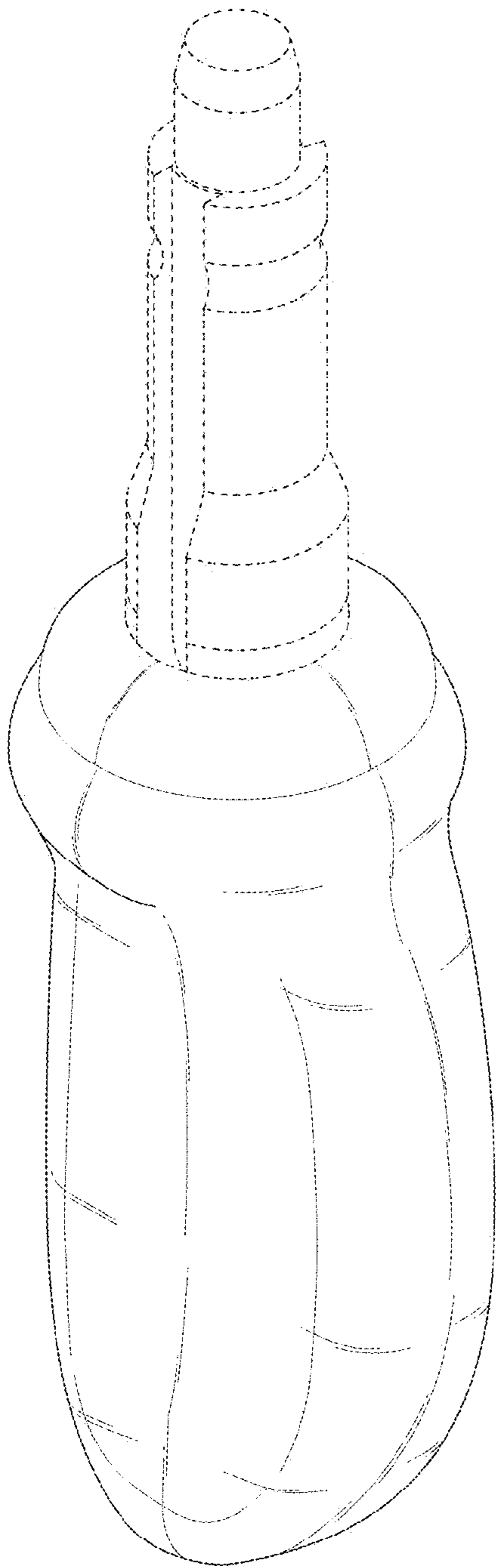


Fig.2

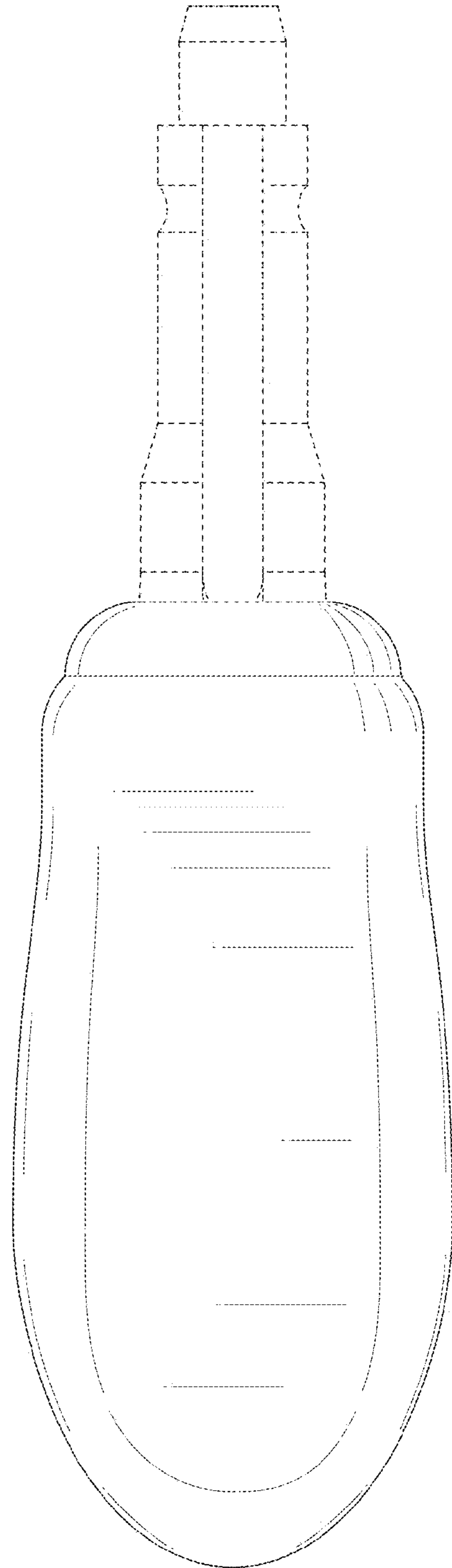


Fig.3

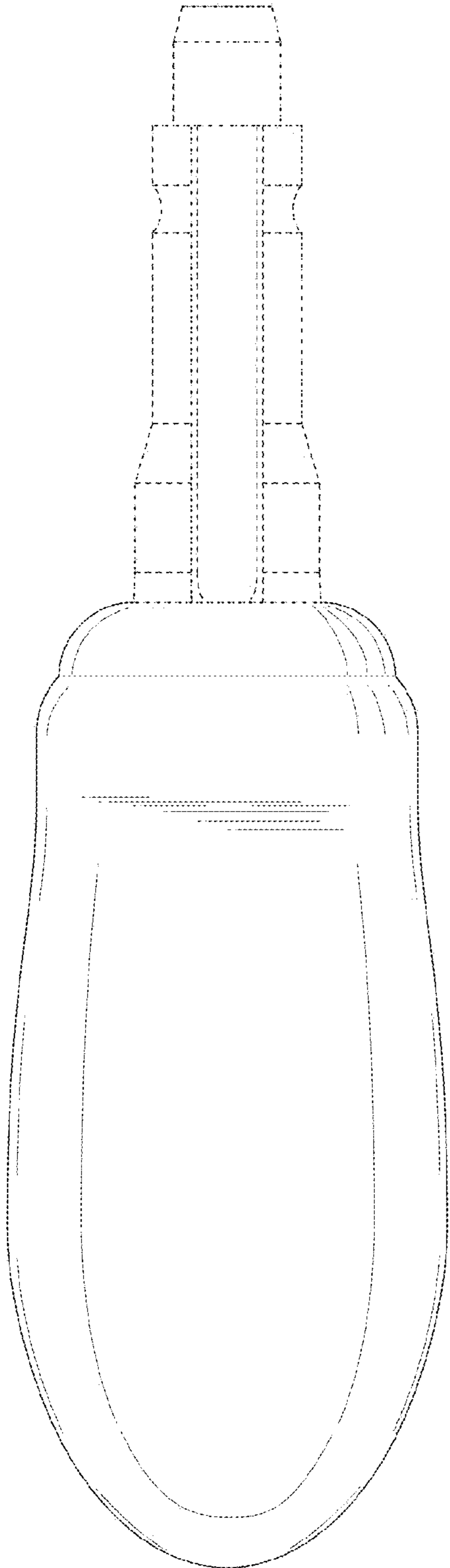


Fig.4

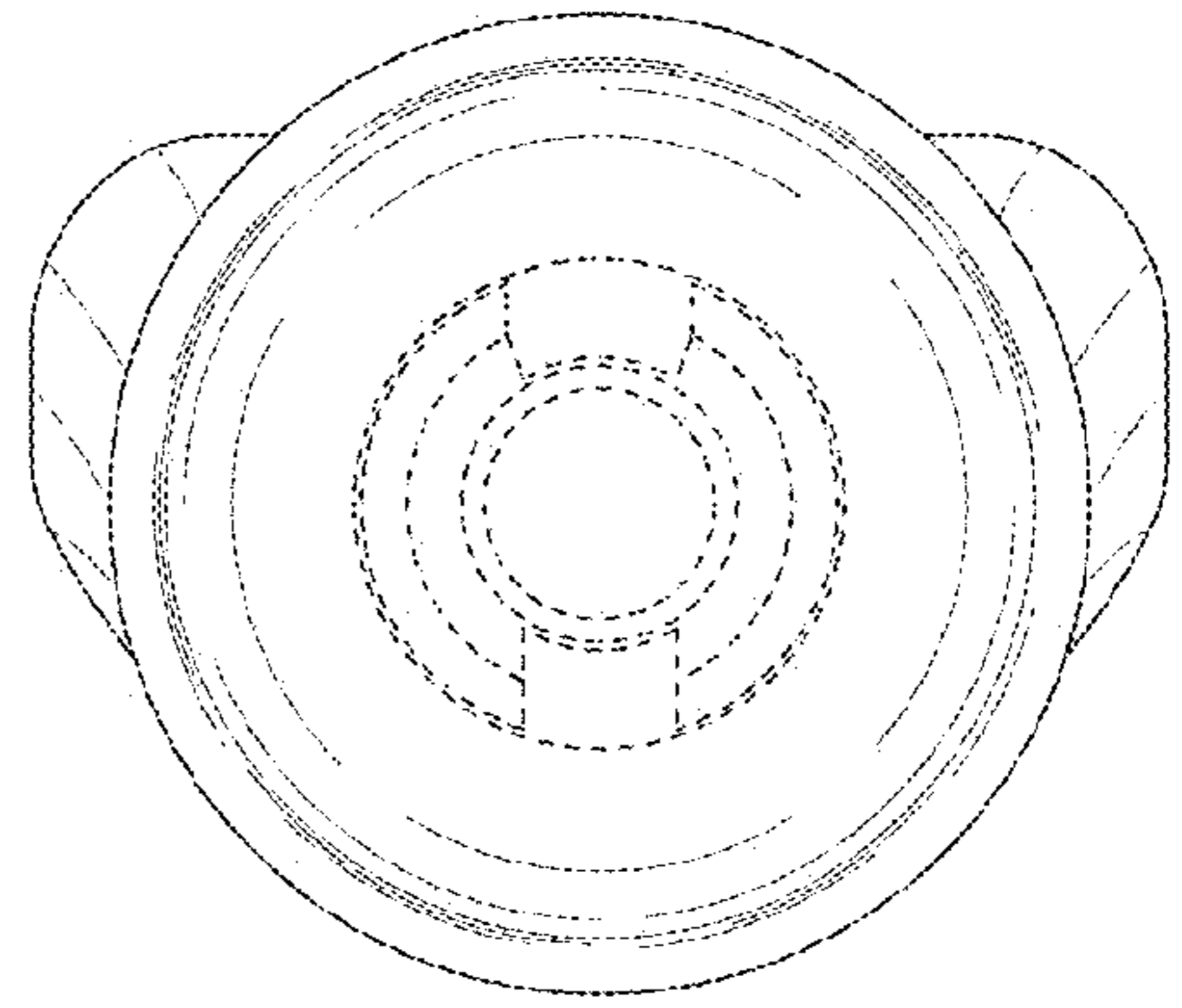


Fig.5

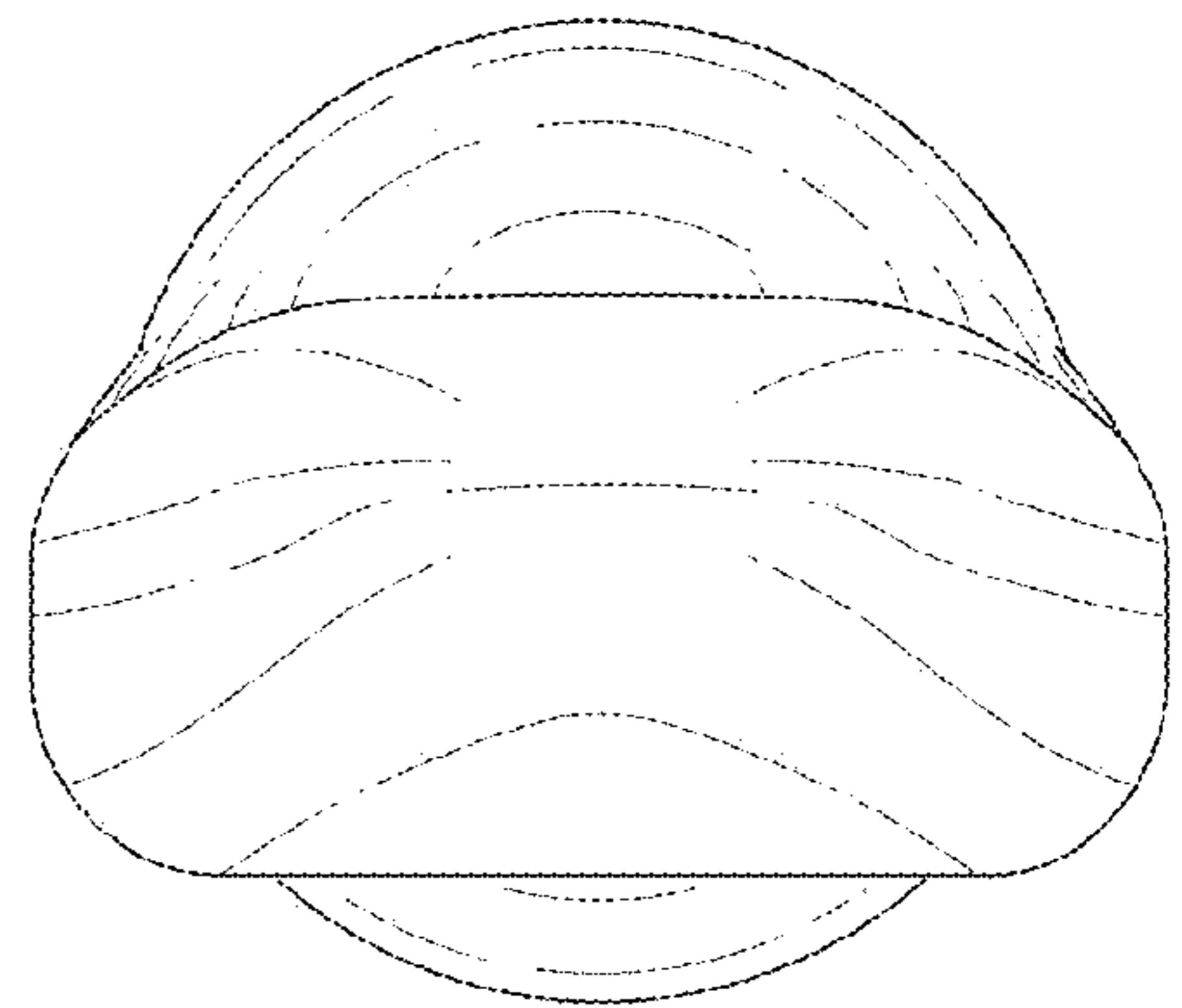


Fig.6

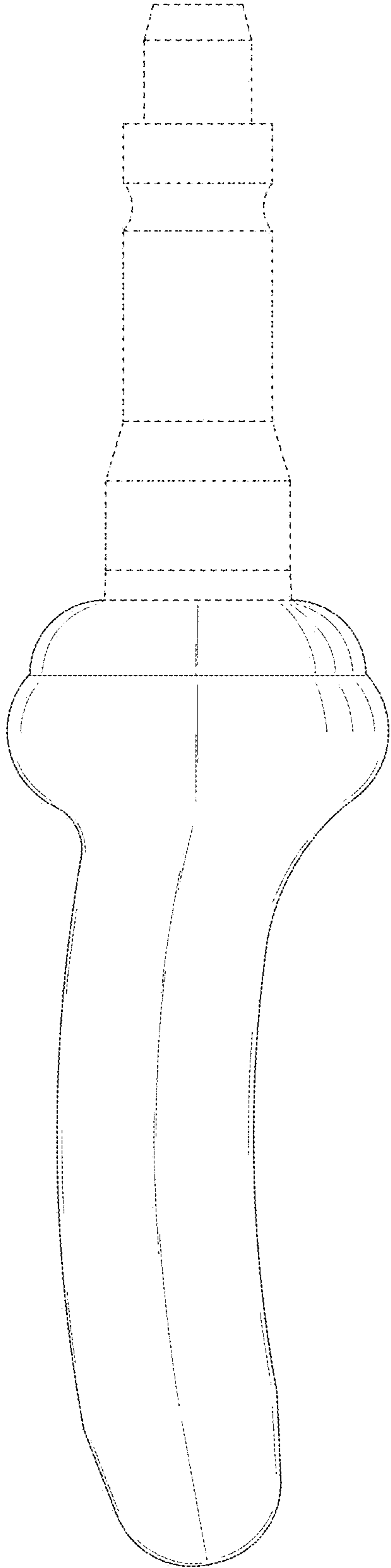


Fig.7

