



US00D983447S

(12) **United States Design Patent**
Matsuishi

(10) **Patent No.:** **US D983,447 S**
(45) **Date of Patent:** **** Apr. 11, 2023**

- (54) **COSMETIC APPLICATOR**
- (71) Applicant: **Midori Matsuishi**, Tokyo (JP)
- (72) Inventor: **Midori Matsuishi**, Tokyo (JP)
- (73) Assignee: **SHISEIDO COMPANY, LIMITED**,
Tokyo (JP)
- (**) Term: **15 Years**
- (21) Appl. No.: **29/810,329**
- (22) Filed: **Oct. 4, 2021**
- (51) **LOC (14) Cl.** **28-03**
- (52) **U.S. Cl.**
USPC **D28/7**
- (58) **Field of Classification Search**
USPC D28/4, 7, 9, 20, 76, 85; D19/36
CPC . A45D 40/20; A45D 40/24; A45D 2200/1072
See application file for complete search history.

8,640,716 B2 * 2/2014 Shimamura A45D 34/04
132/218
D826,473 S * 8/2018 Pires D28/7
2007/0181143 A1 * 8/2007 Montoli A45D 34/04
132/320

* cited by examiner

Primary Examiner — Zenia I Bennett

(74) *Attorney, Agent, or Firm* — Manabu Kanesaka

(57) **CLAIM**

The ornamental design for a cosmetic applicator, as shown and described.

DESCRIPTION

FIG. 1 is a perspective view of a cosmetic applicator showing my new design;
 FIG. 2 is a front view thereof;
 FIG. 3 is a rear view;
 FIG. 4 is a plan view thereof;
 FIG. 5 is a bottom view thereof;
 FIG. 6 is a left side view thereof; and,
 FIG. 7 is a right side view thereof.
 The broken lines depict portions of the cosmetic applicator that form no part of claimed design.

1 Claim, 3 Drawing Sheets

(56) **References Cited**
 U.S. PATENT DOCUMENTS

D538,975 S *	3/2007	Montoli	D28/7
D617,045 S *	6/2010	Uehara	D28/7
D628,741 S *	12/2010	Uehara	D28/7
7,866,327 B1 *	1/2011	Gueret	A45D 34/046 132/218
8,286,649 B2 *	10/2012	Gueret	A45D 40/267 132/320

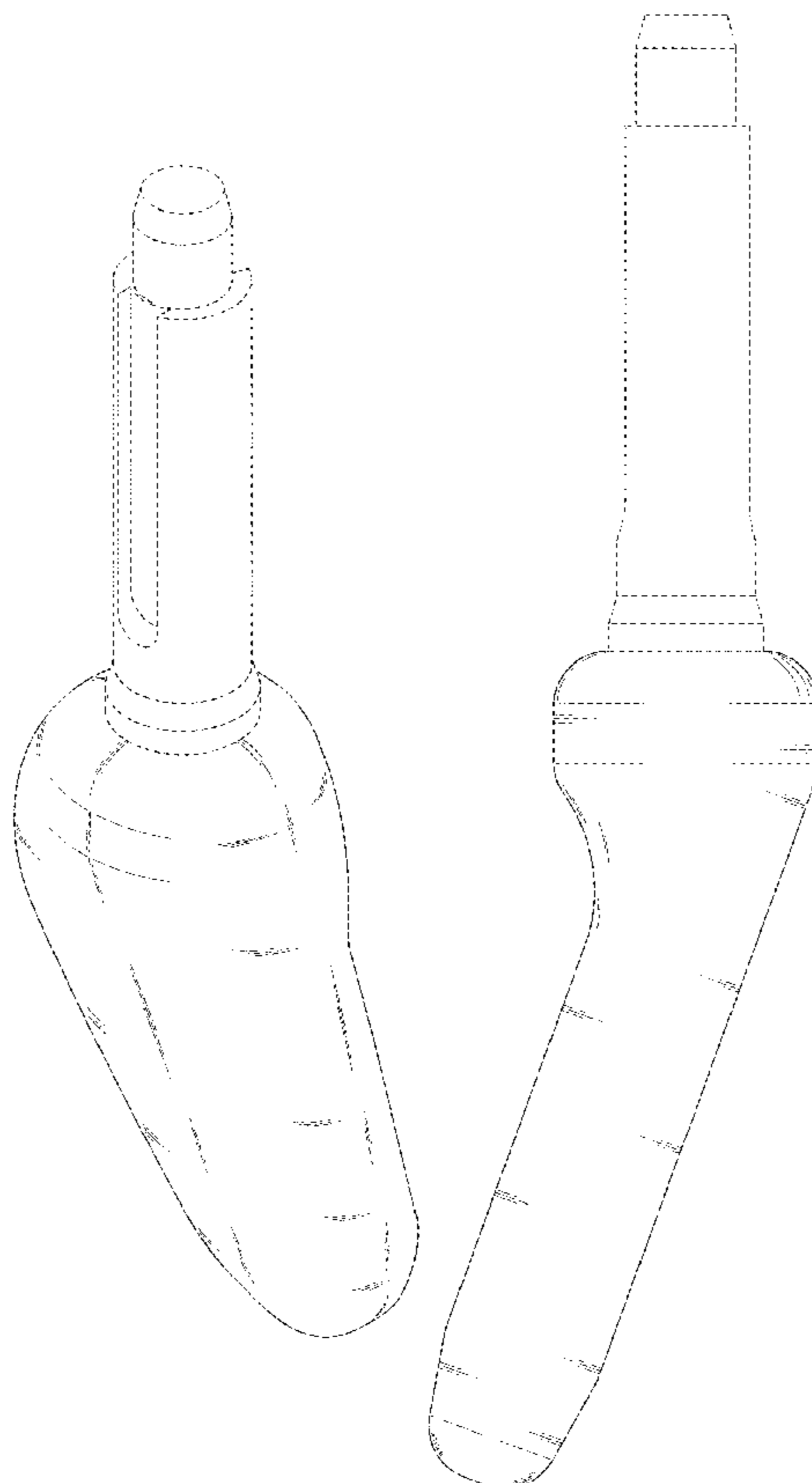


Fig.1

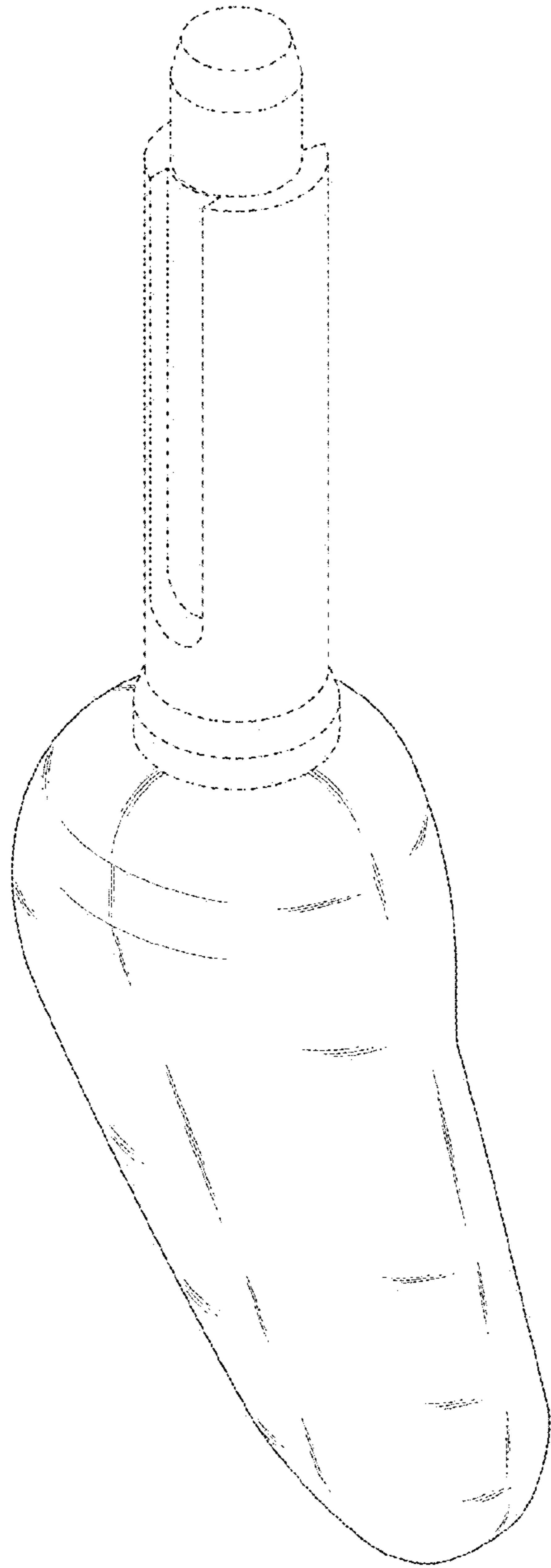


Fig.2

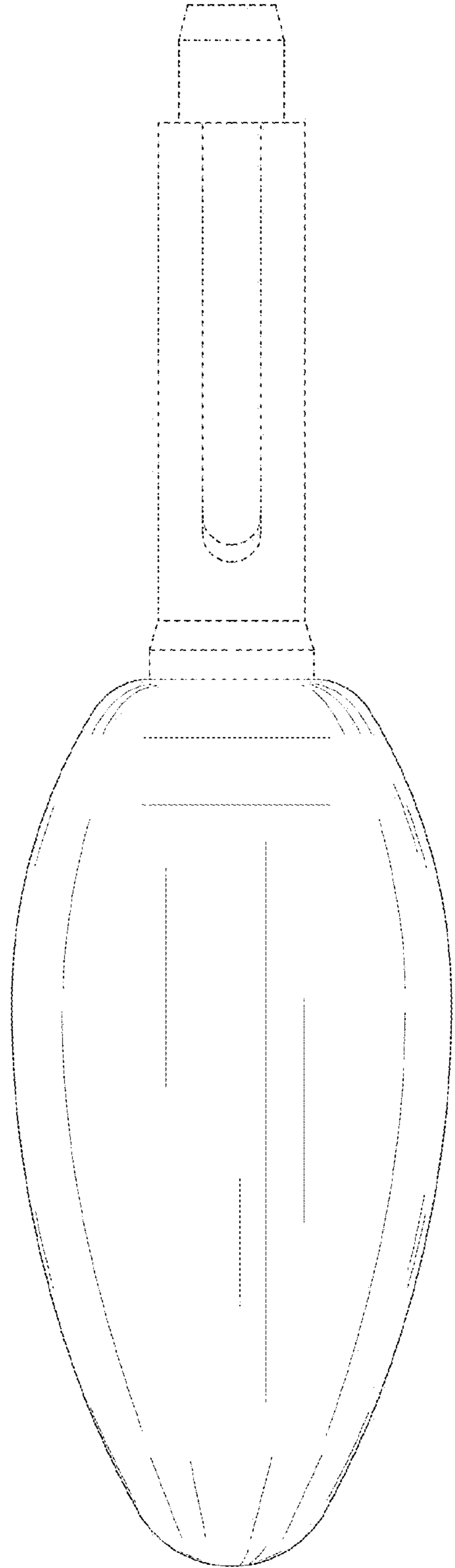


Fig.3

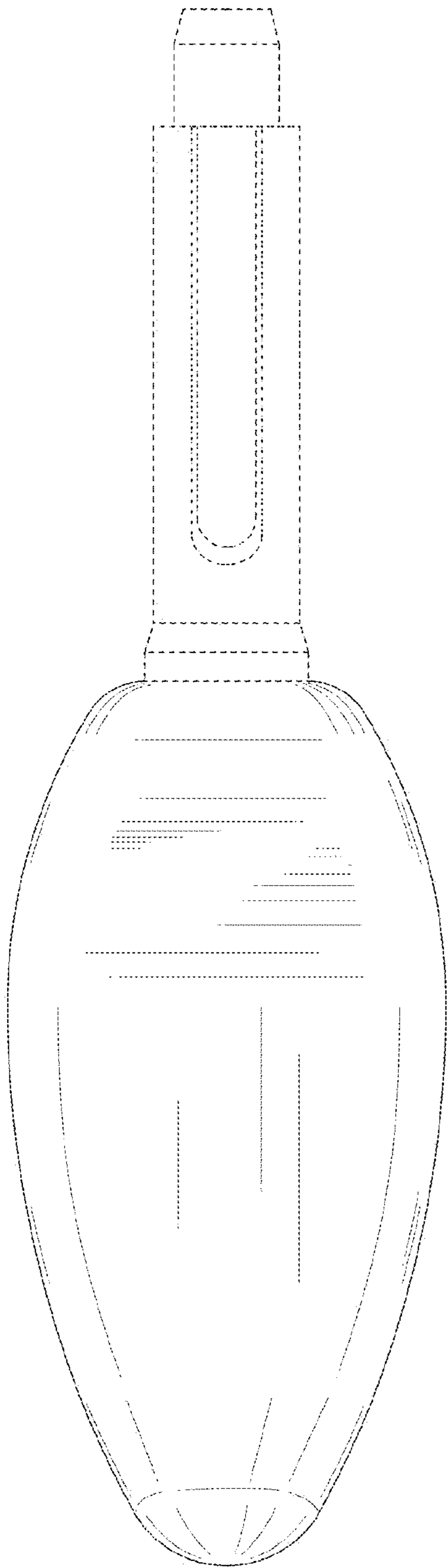


Fig.4

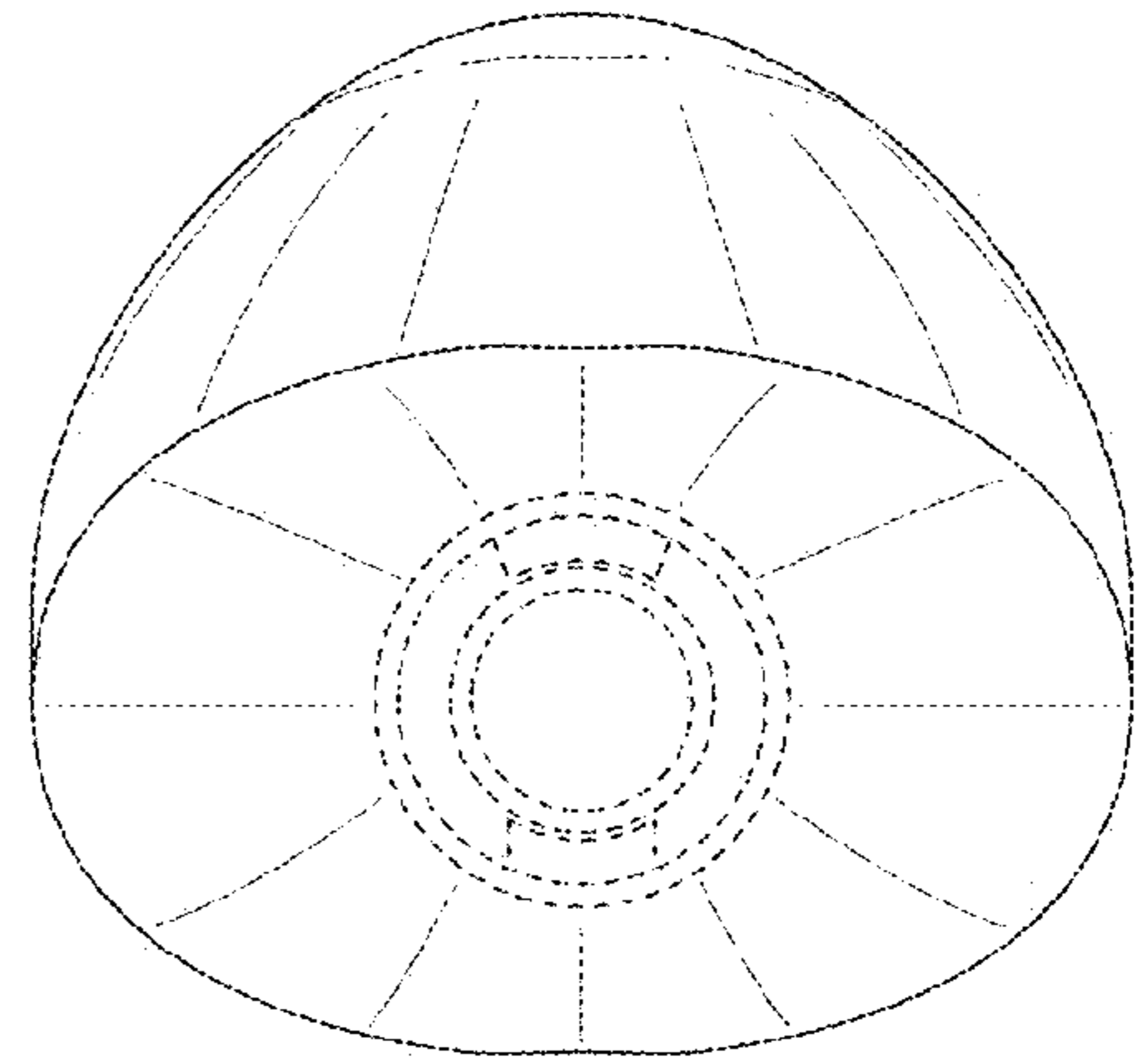


Fig.5

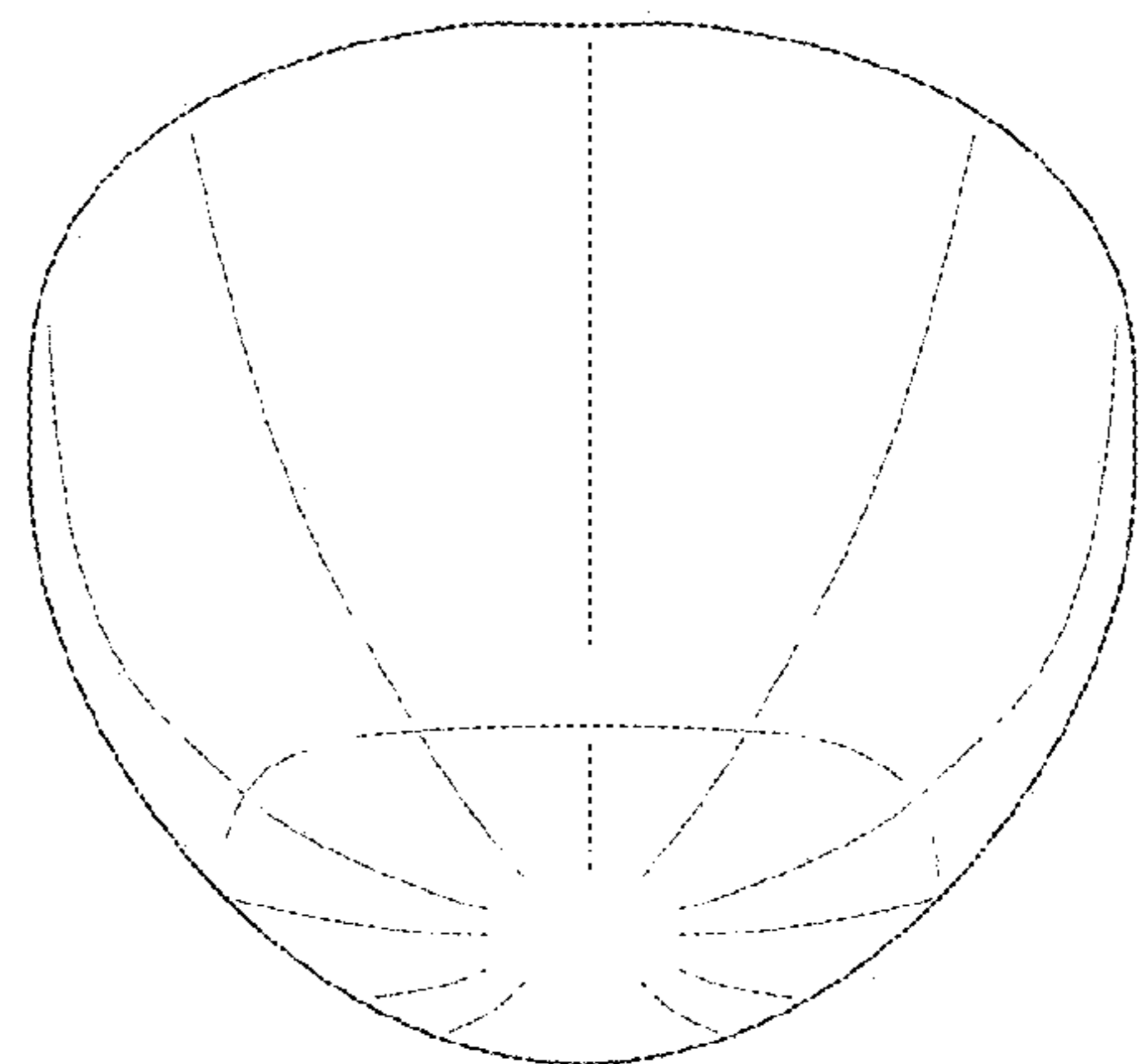


Fig.6

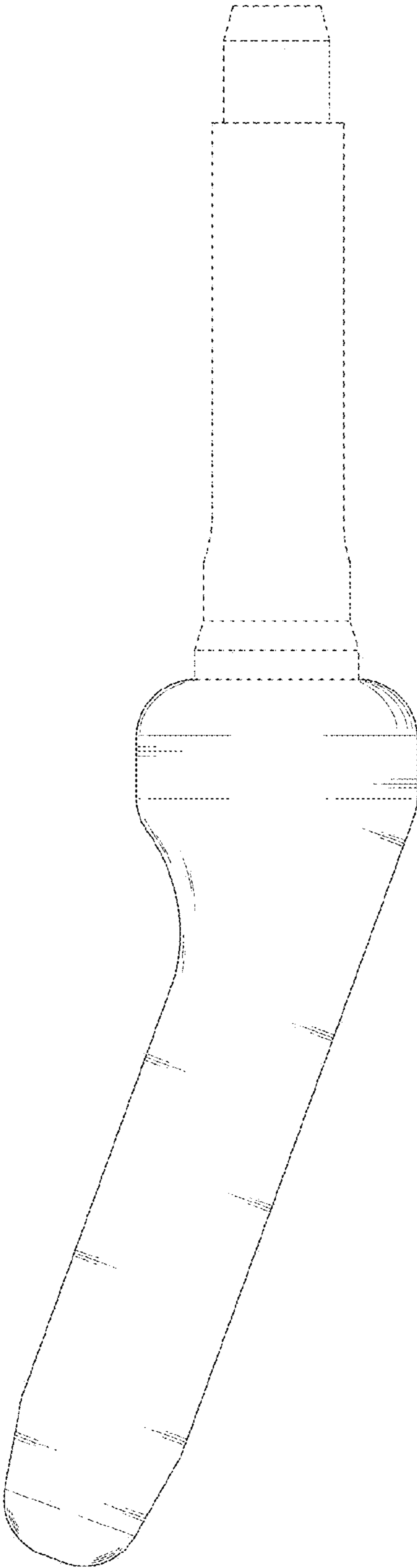


Fig.7

