



US00D983444S

(12) **United States Design Patent**
Fulk et al.

(10) **Patent No.:** **US D983,444 S**

(45) **Date of Patent:** **** Apr. 11, 2023**

(54) **RETAINER**

- (71) Applicant: **The Urban Electric Company**, North Charleston, SC (US)
- (72) Inventors: **Ken Fulk**, San Francisco, CA (US); **Michael Amato**, London (GB); **David Dawson**, Charleston, SC (US); **Hope Johnson**, Folley Beach, SC (US); **Jonathan Charpia**, Summerville, SC (US); **Brianna Magagnoli**, North Charleston, SC (US); **Janis Golubeckis**, Mount Pleasant, SC (US)
- (73) Assignee: **The Urban Electric Company**, North Charleston, SC (US)

(**) Term: **15 Years**

(21) Appl. No.: **29/785,091**

(22) Filed: **May 24, 2021**

(51) **LOC (14) Cl.** **26-05**

(52) **U.S. Cl.**
USPC **D26/154**

(58) **Field of Classification Search**
USPC D26/88, 90, 113, 128, 131, 138, 140,
D26/142, 147-149, 151-155; D7/576;
D11/139
CPC B44C 5/00; F21W 2121/00; F21V 21/104
See application file for complete search history.

(56) **References Cited**

U.S. PATENT DOCUMENTS

D74,050 S	*	12/1927	Dunham	D26/154
D274,068 S	*	5/1984	Sverdlin	D7/576
D609,845 S	*	2/2010	Ngai	D26/88
D791,389 S	*	7/2017	Sonneman	D26/90
D820,502 S	*	6/2018	Hoffmann	D26/88
D835,325 S	*	12/2018	Gambrel	D26/155
D896,435 S	*	9/2020	Pomputius	D26/128

OTHER PUBLICATIONS

Ecudis Lamp Finial, available in Amazon.com, date first available Aug. 19, 2020 [online], [site visited Dec. 6, 2022], Available from the internet URL: <https://a.co/d/eUhzg1U> (Year: 2020).*

Xiaofang, Xu , CN Design No. 304743787, Published at Orbit, publication date Jul. 24, 2018. Site visited Dec. 6, 2022. Available from Internet. (Year: 2018).*

* cited by examiner

Primary Examiner — Kathleen L Jones

Assistant Examiner — Jasmine L. Comedy

(74) *Attorney, Agent, or Firm* — Haynsworth Sinkler Boyd, P.A.

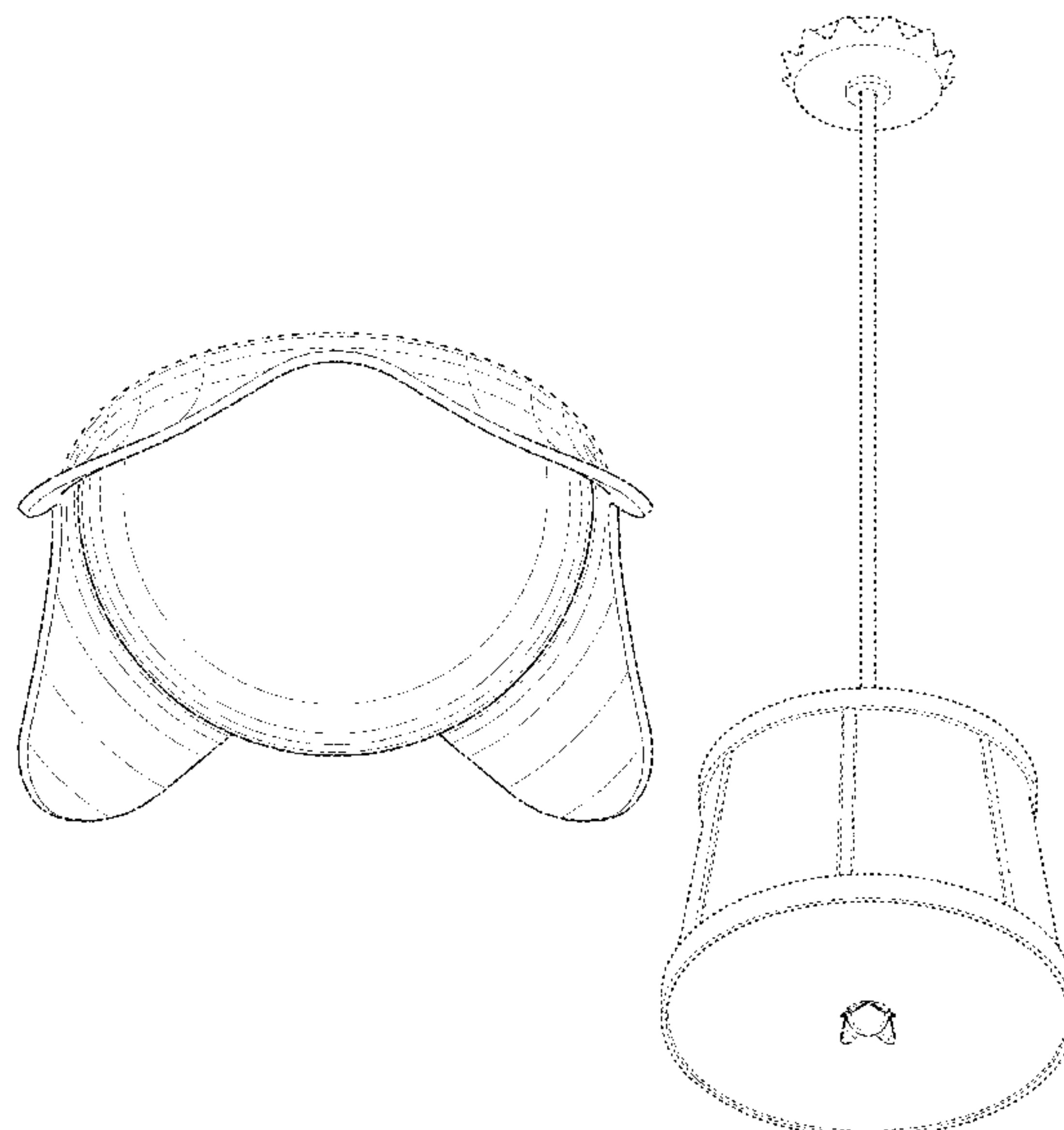
(57) **CLAIM**

The ornamental design for a retainer, as shown and described.

DESCRIPTION

FIG. 1 is a bottom perspective view of a retainer depicting a new design;
FIG. 2 is a top perspective view thereof;
FIG. 3 is a front elevational view thereof;
FIG. 4 is a back elevational view thereof;
FIG. 5 is a left elevational view thereof;
FIG. 6 is a right elevational view thereof;
FIG. 7 is a top plan view thereof;
FIG. 8 is a bottom plan view thereof; and,
FIG. 9 is a second bottom perspective view thereof.
The broken line disclosures depicting a lighting fixture in FIG. 9 represent environmental structure that forms no part of the claimed design. The remaining broken line disclosures in the views represent portions of the retainer that form no part of the claimed design.

1 Claim, 9 Drawing Sheets



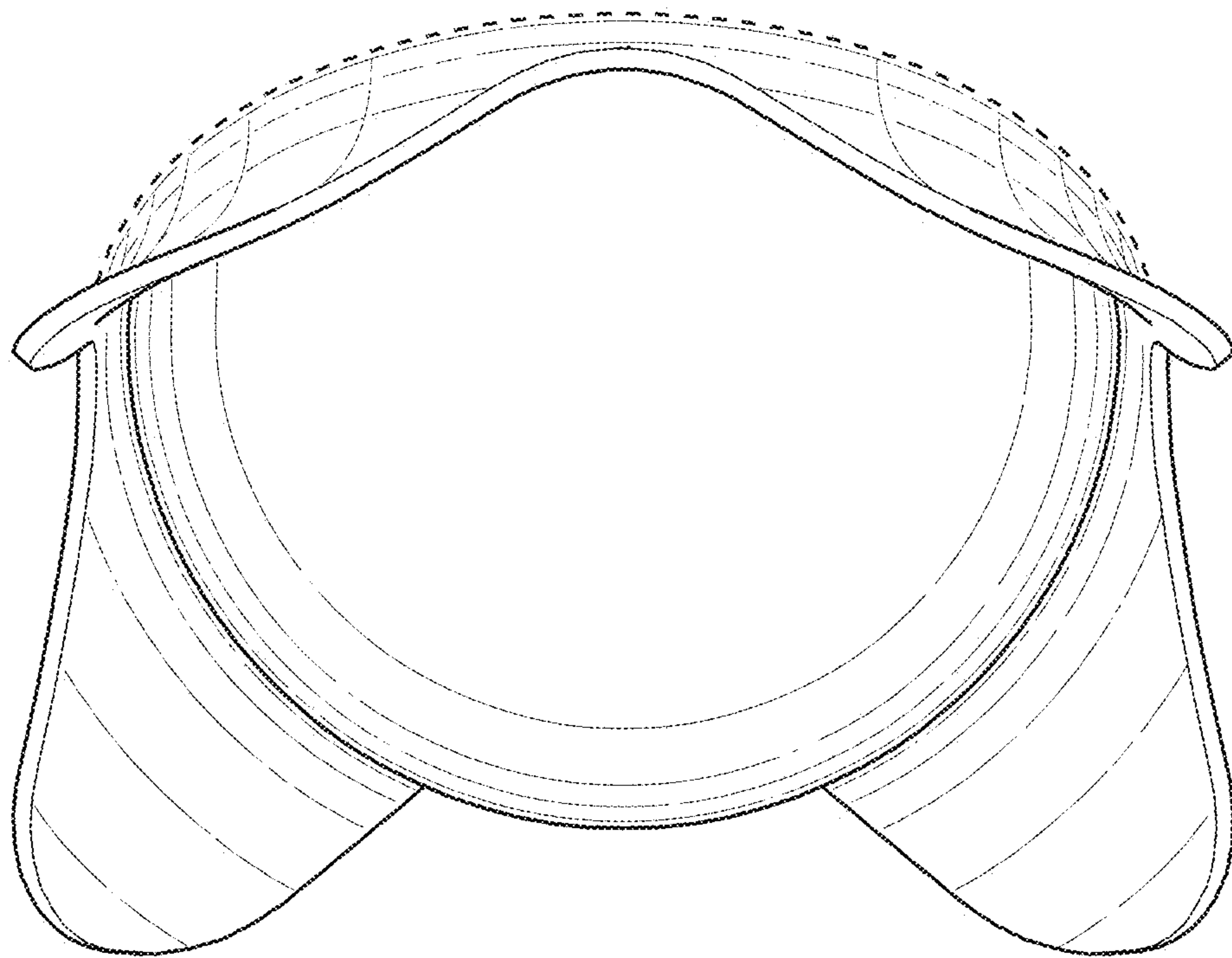


FIG. 1

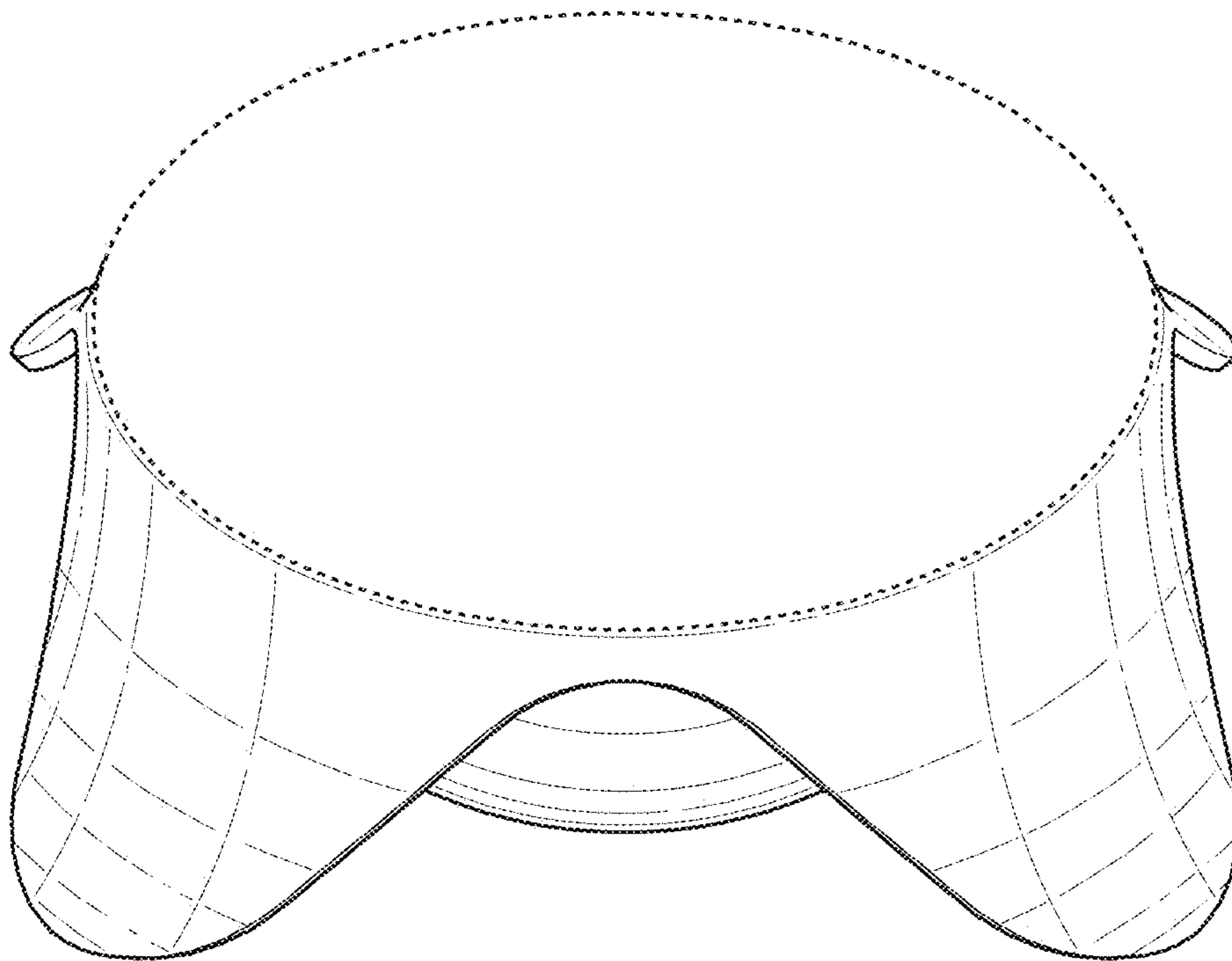


FIG. 2

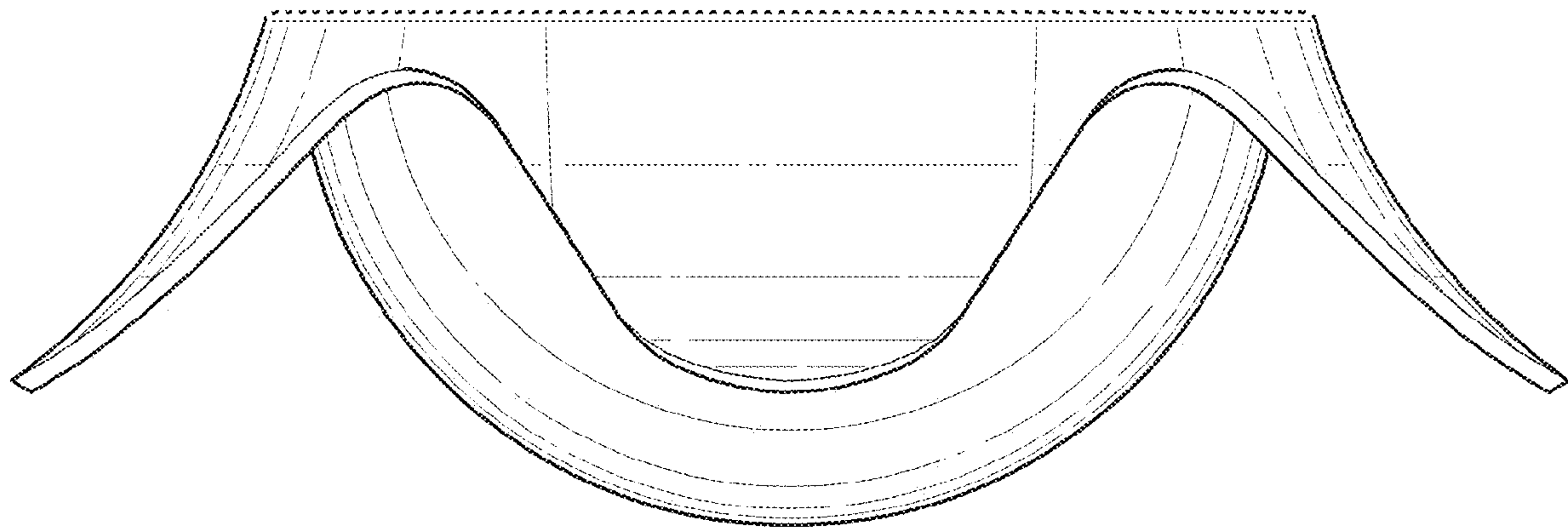


FIG. 3

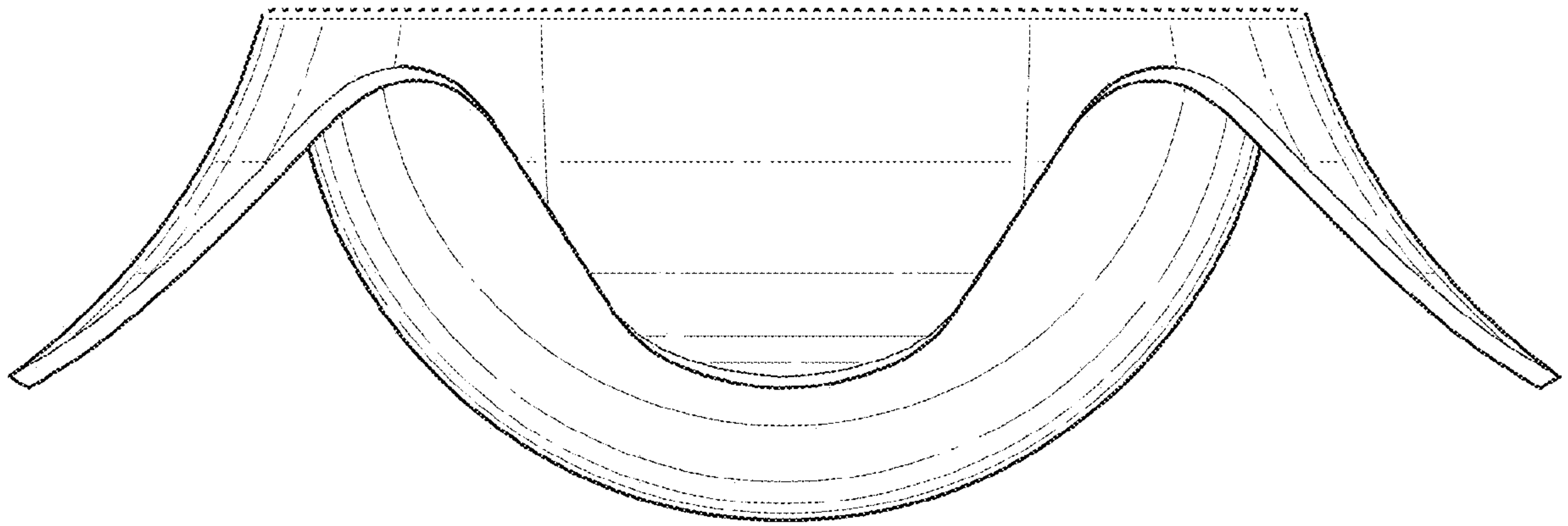


FIG. 4

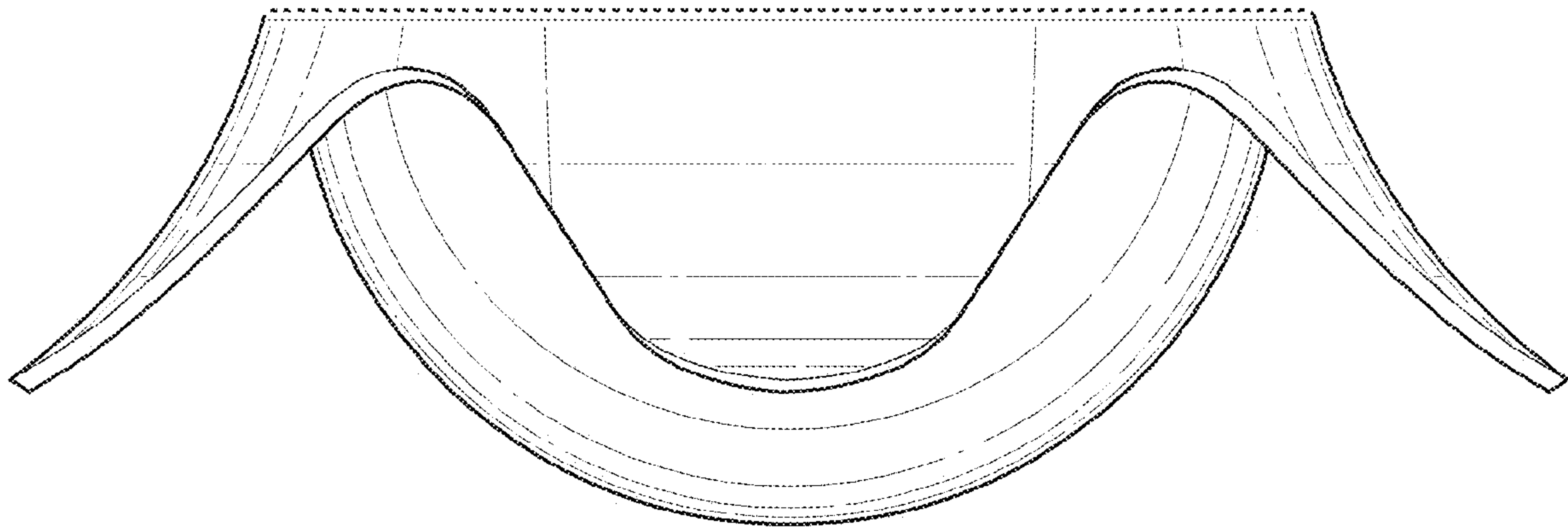


FIG. 5

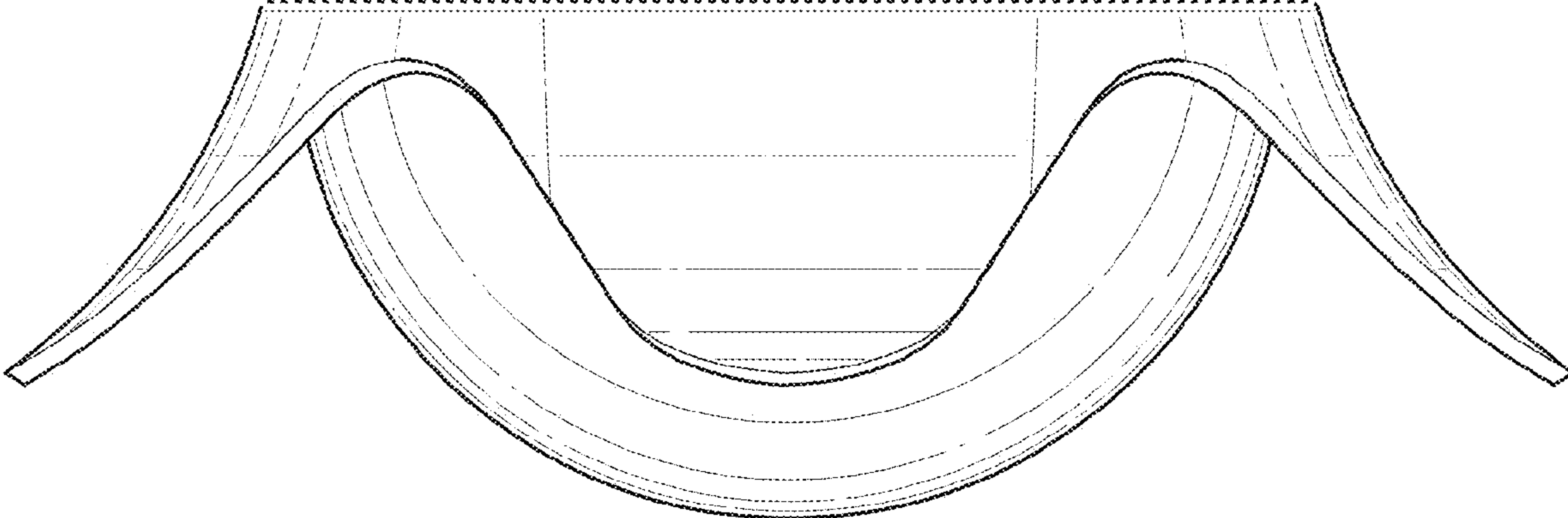


FIG. 6

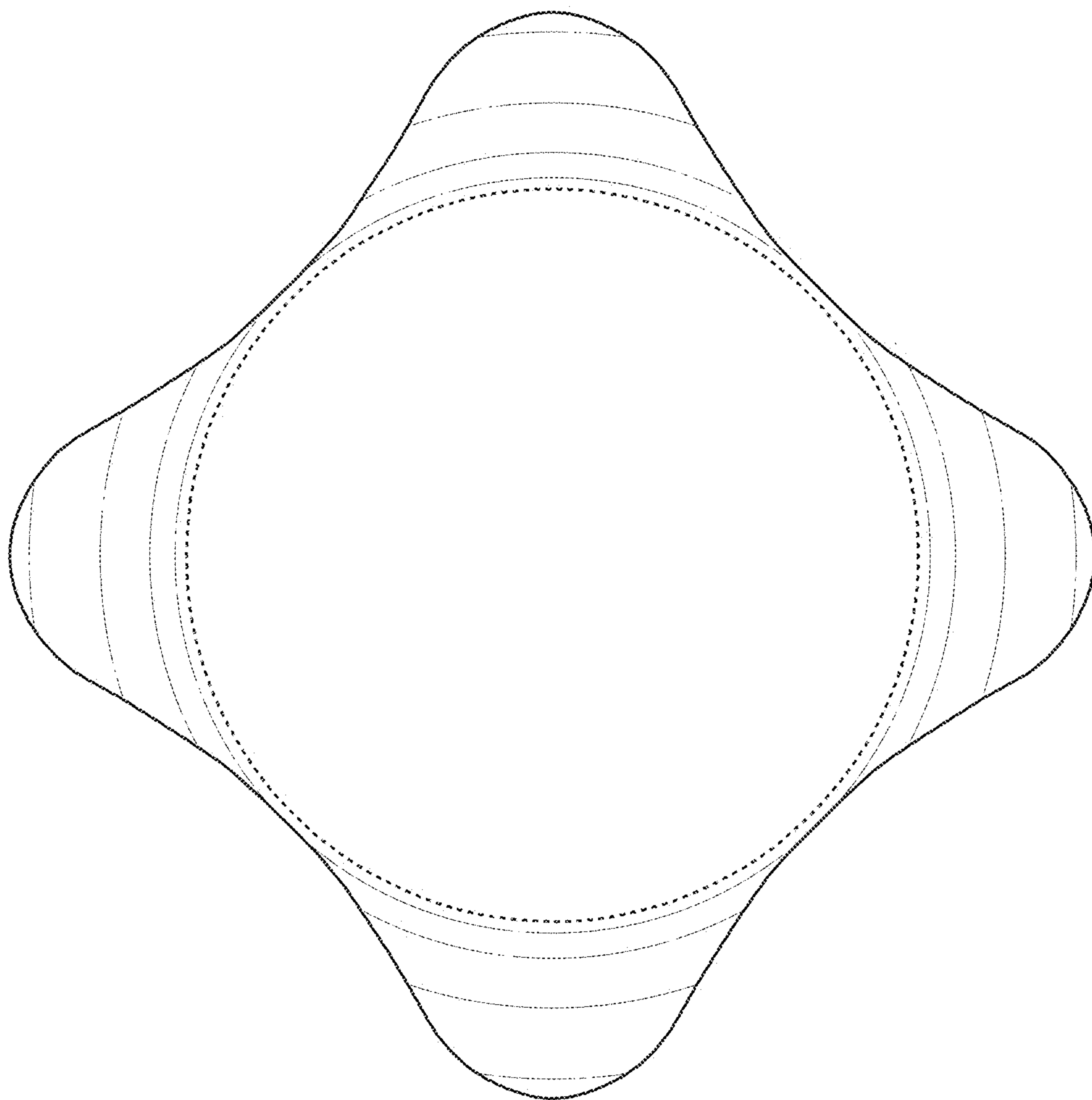


FIG. 7

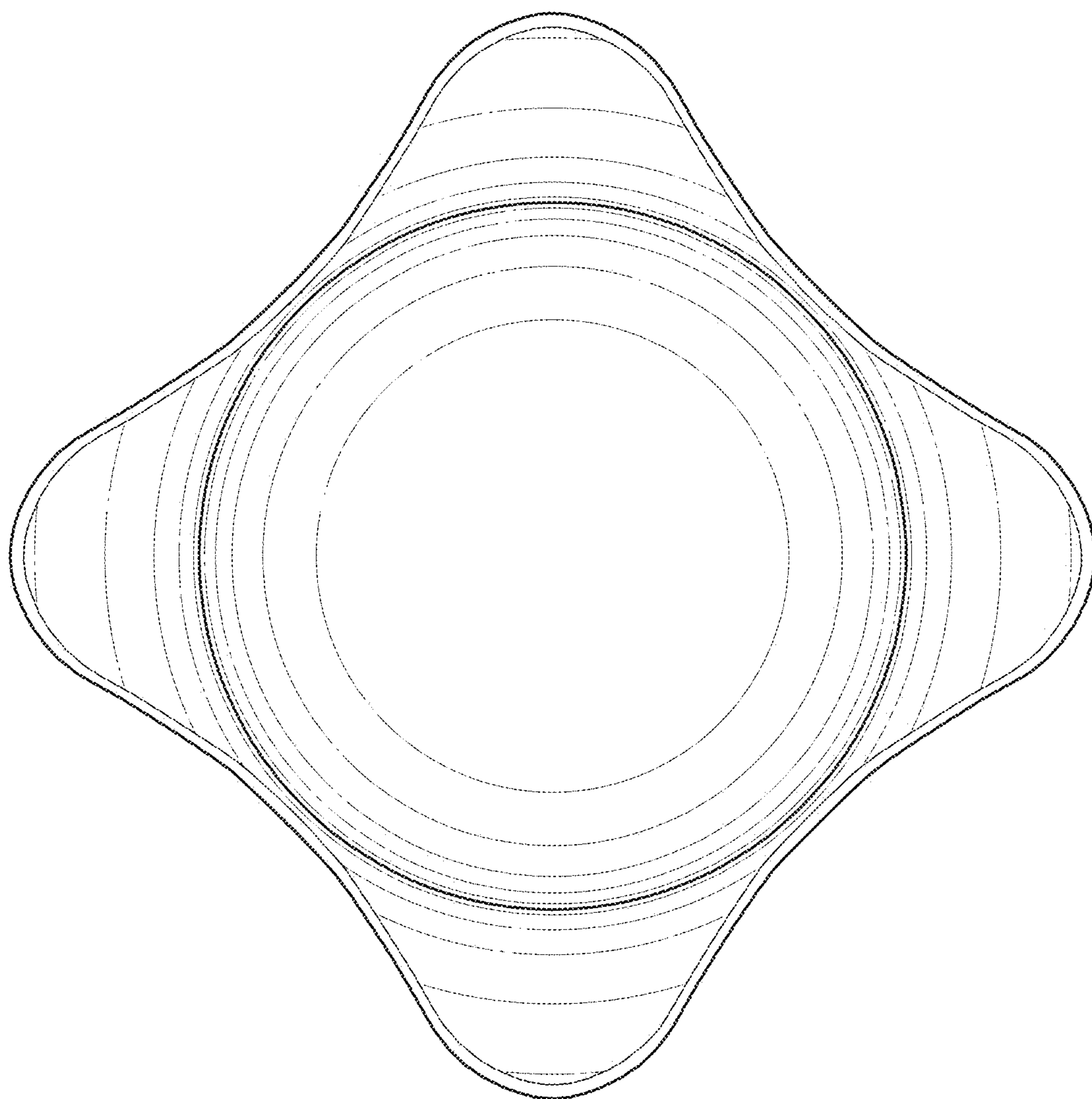


FIG. 8

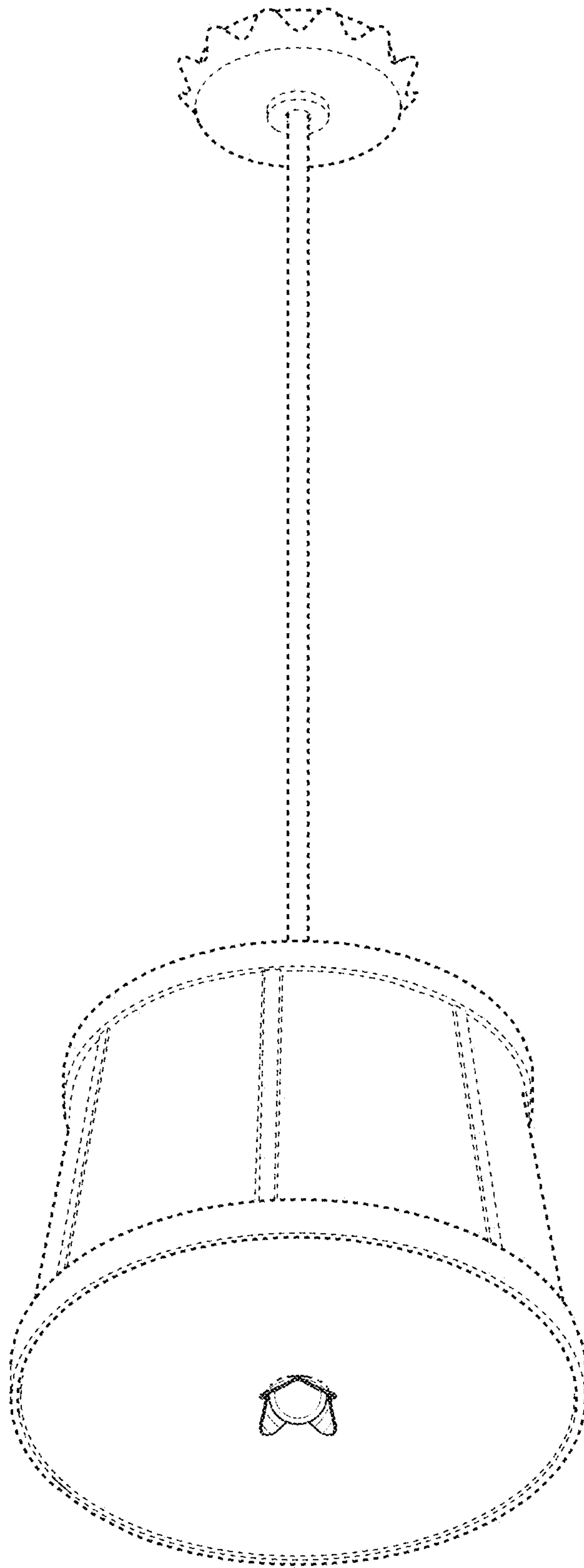


FIG. 9