



US00D983442S

(12) **United States Design Patent** (10) **Patent No.:** **US D983,442 S**  
**Mo** (45) **Date of Patent:** **\*\* Apr. 11, 2023**

(54) **FOLDING LAMP**

(71) Applicant: **MINGKEDA INDUSTRIES CO., LTD, Jiangmen (CN)**

(72) Inventor: **Jiaxian Mo, Jiangmen (CN)**

(73) Assignee: **MINGKEDA INDUSTRIES CO., LTD, Jiangmen (CN)**

(\*\*) Term: **15 Years**

(21) Appl. No.: **29/754,425**

(22) Filed: **Oct. 10, 2020**

(51) **LOC (14) Cl.** ..... **26-05**

(52) **U.S. Cl.**  
USPC ..... **D26/107**

(58) **Field of Classification Search**  
USPC ..... D26/1, 2, 24, 61-66, 72, 73, 75-79, 85,  
D26/87, 92, 93, 102, 104, 106-110, 112,  
D26/125, 128, 129, 138, 142, 145, 155  
CPC .. F21S 6/002; F21S 6/003; F21S 6/004; F21S  
6/005; F21V 1/00; F21V 1/02; F21V  
1/04; F21V 1/06; F21V 1/08; F21V 1/12;  
F21V 1/14  
See application file for complete search history.

(56) **References Cited**

**U.S. PATENT DOCUMENTS**

D641,907 S *	7/2011	Lee	.....	D26/65
D641,916 S *	7/2011	Witsch	.....	D26/107
D681,865 S *	5/2013	Lee	.....	D26/107
D758,631 S *	6/2016	Cai	.....	D26/63
D759,282 S *	6/2016	Lee	.....	D26/65
D792,015 S *	7/2017	Xiao	.....	D26/106
D793,610 S *	8/2017	Tran	.....	D26/107
D804,071 S *	11/2017	Xu	.....	D26/63
D843,636 S *	3/2019	Tong	.....	D26/107
D850,686 S *	6/2019	Wang	.....	D26/65
D858,835 S *	9/2019	Xiao	.....	D26/93
D873,463 S *	1/2020	Wang	.....	D26/65
D876,699 S *	2/2020	Tang	.....	D26/65

D945,048 S *	3/2022	Zhou	.....	D26/106
D950,138 S *	4/2022	Huang	.....	D26/65
2011/0194286 A1 *	8/2011	Cheng	.....	F21V 21/30 362/382

(Continued)

**FOREIGN PATENT DOCUMENTS**

CN 307653747 \* 11/2022

**OTHER PUBLICATIONS**

Premier Rechargeable Table Lamp, date unknown, retrieved Dec. 1, 2022 from URL: [https://www.alibaba.com/product-detail/Premier-Rechargeable-Table-Lamp-Flexible-Luxury\\_1600264965335.html?spm=a2700.shop\\_plgr.41413.9.a5e43c47QQJ3gl](https://www.alibaba.com/product-detail/Premier-Rechargeable-Table-Lamp-Flexible-Luxury_1600264965335.html?spm=a2700.shop_plgr.41413.9.a5e43c47QQJ3gl) (Year: 2022) (Year: 2022) (Year: 2022) (Year: 2022) (Year: 2022).\*

(Continued)

*Primary Examiner* — Richard Kearney  
*Assistant Examiner* — Christina M. Dodson  
(74) *Attorney, Agent, or Firm* — Bayramoglu Law Offices LLC

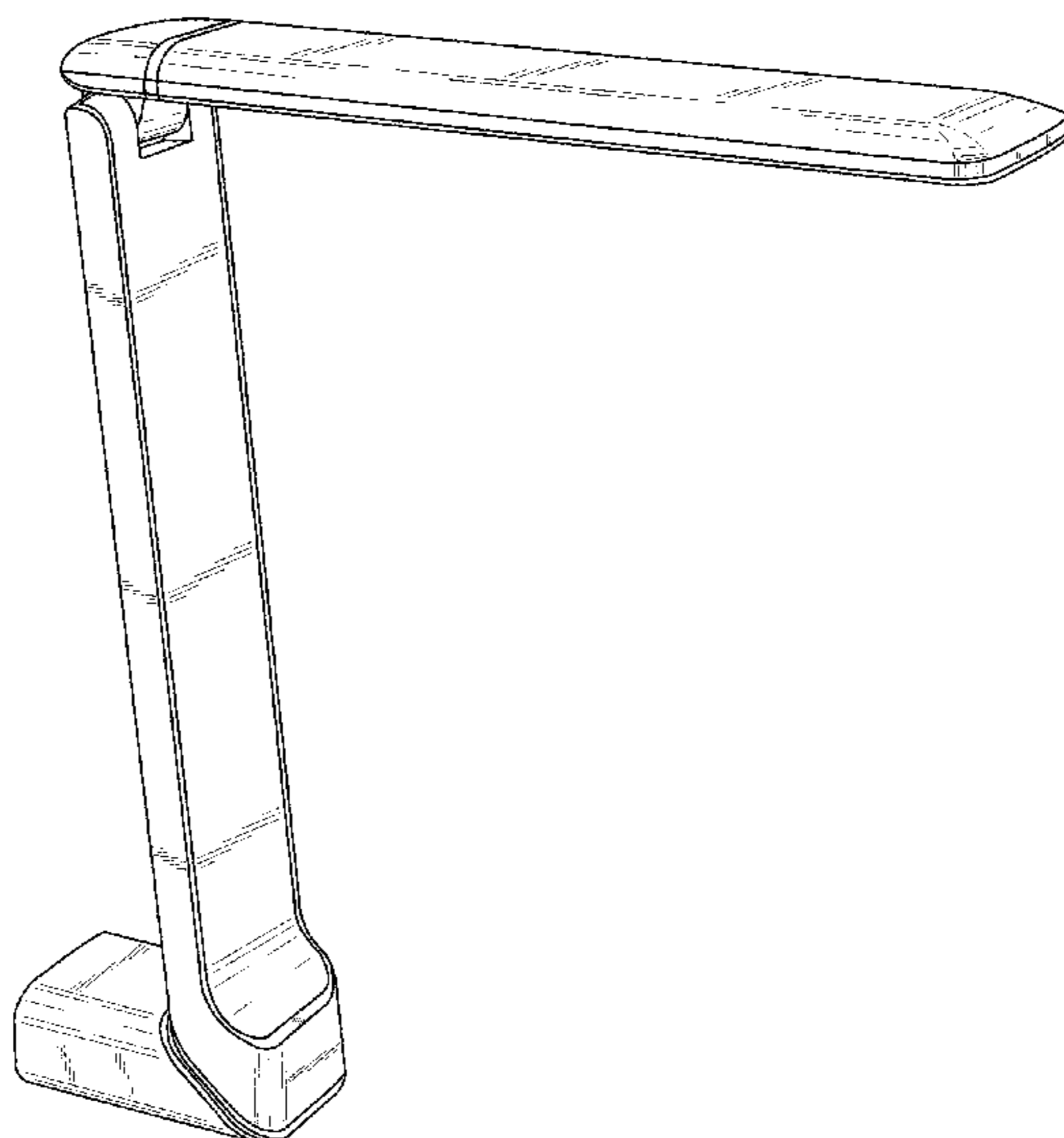
(57) **CLAIM**

The ornamental design for a folding lamp, as shown and described.

**DESCRIPTION**

FIG. 1 is a front perspective view of a folding lamp showing my new design;  
FIG. 2 is a front view thereof;  
FIG. 3 is a rear view thereof;  
FIG. 4 is a left side view thereof;  
FIG. 5 is a top view thereof;  
FIG. 6 is a bottom view thereof; and,  
FIG. 7 is a rear perspective view thereof.  
A right view is omitted since the right side view is a mirror image of the left side view.

**1 Claim, 7 Drawing Sheets**



(56)

**References Cited**

U.S. PATENT DOCUMENTS

2012/0038279 A1\* 2/2012 Chang ..... H05B 45/22  
315/151  
2018/0058647 A1\* 3/2018 He ..... F21V 21/116  
2020/0355359 A1\* 11/2020 Pan ..... H05B 47/115

OTHER PUBLICATIONS

Bostitch Office Desk Lamp, first available Jul. 9, 2018, retrieved Dec. 1, 2022 from URL: <https://www.amazon.com/Bostitch-Office-KT-VLED1810-WHITE-Rechargable-Temperatures/dp/B07FD3VXJB?th=1> (Year: 2018) (Year: 2018) (Year: 2018) (Year: 2018) (Year: 2018) (Year: 2018) (Year: 2018) (Year: 2018) (Year: 2018).\*

\* cited by examiner

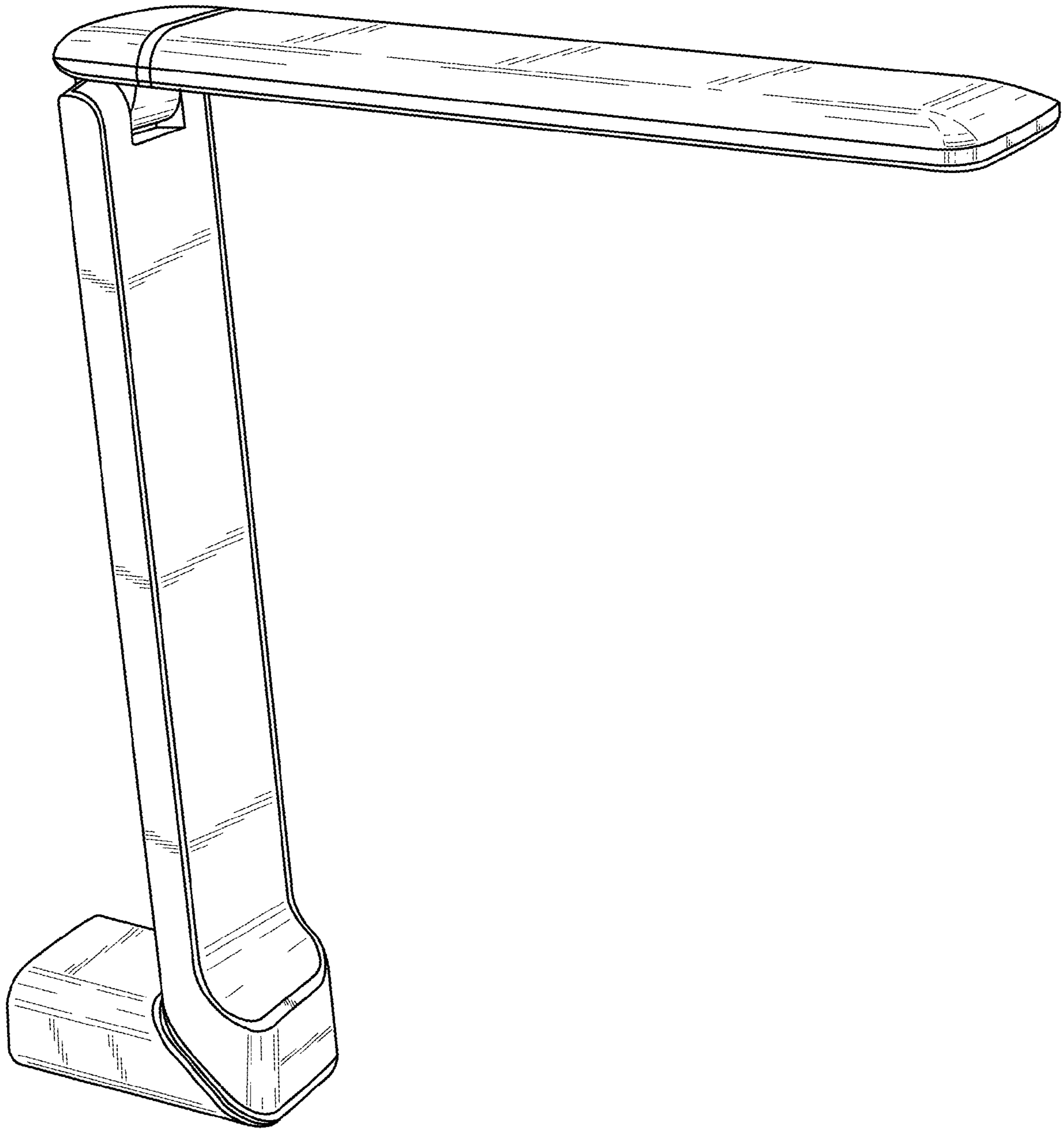


FIG. 1

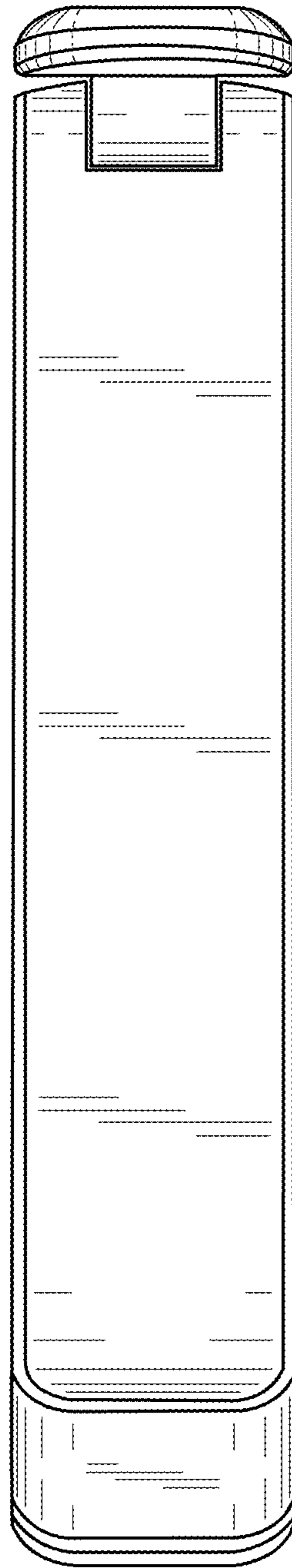


FIG. 2

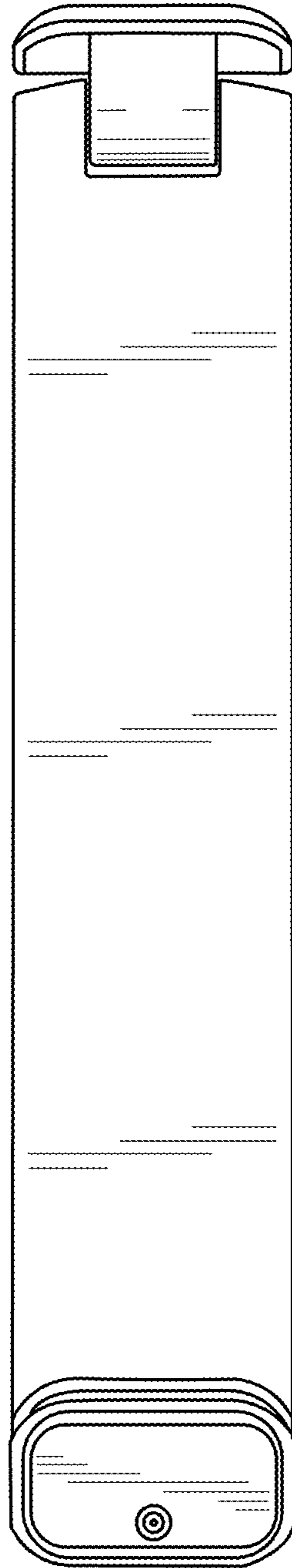


FIG. 3

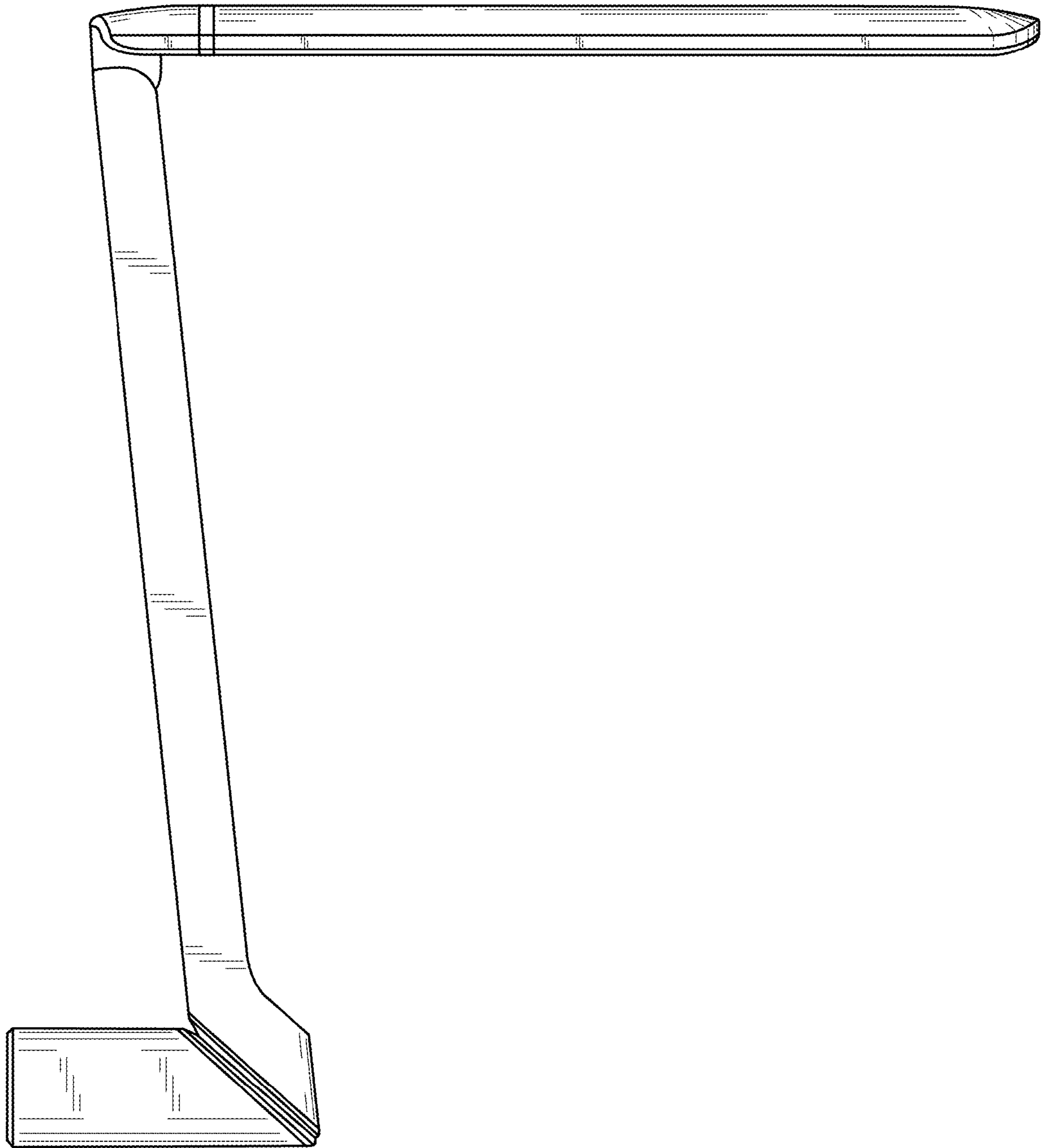


FIG. 4

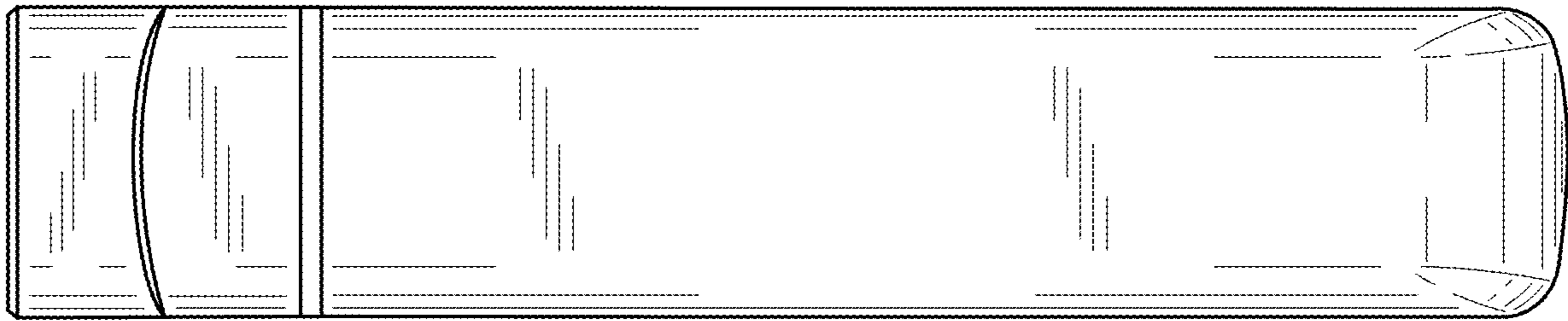


FIG. 5

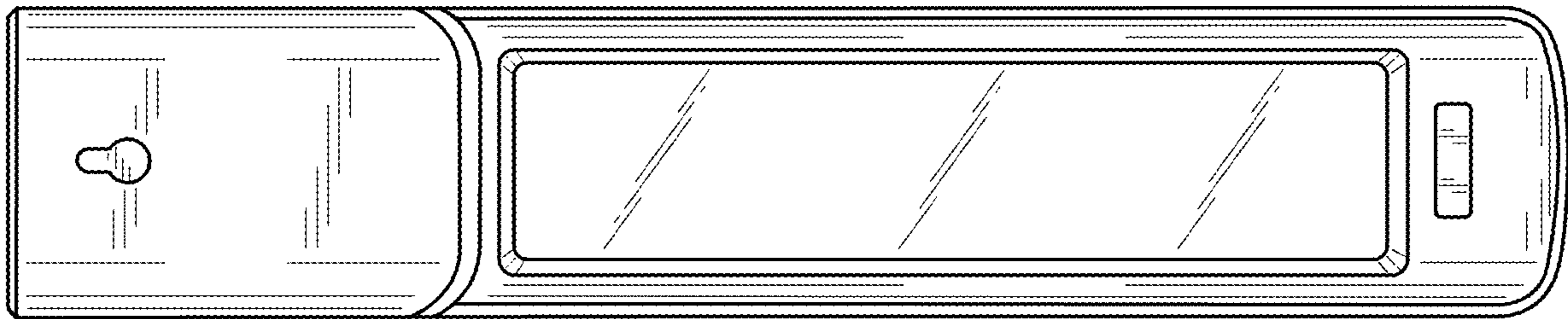


FIG. 6



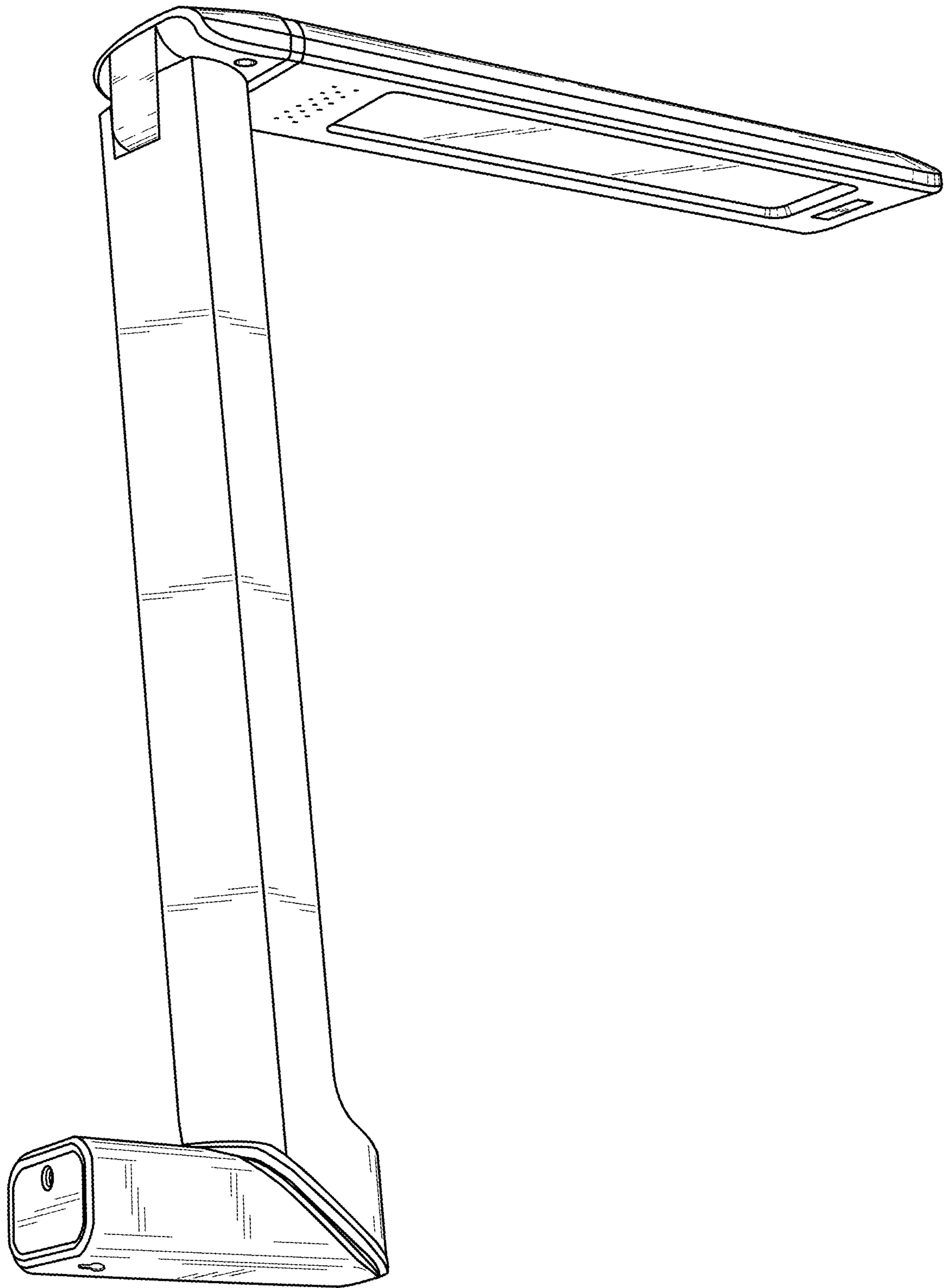


FIG. 7