



US00D983441S

(12) **United States Design Patent**
Wu et al.

(10) **Patent No.:** **US D983,441 S**
(45) **Date of Patent:** **** Apr. 11, 2023**

(54) **PORTABLE LAMP**

FOREIGN PATENT DOCUMENTS

(71) Applicant: **Shenzhen Intellirocks Tech Co., Ltd.**,
Shenzhen (CN)

CN 302613901 * 10/2013
CN 303200174 * 5/2015
CN 305644593 * 3/2020

(72) Inventors: **Xiaoting Wu**, Shenzhen (CN);
Wenlong Wu, Shenzhen (CN)

(Continued)

(73) Assignee: **Shenzhen Intellirocks Tech Co., Ltd.**,
Shenzhen (CN)

OTHER PUBLICATIONS

(**) Term: **15 Years**

Govee Smart Table Lamp. By Govee. Dated Aug. 1, 2021. Found online [Apr. 20, 2022]. <https://www.amazon.com/Govee-Bluetooth-Rechargeable-Compatibility-Decoration/dp/B098NLCGVK> (Year: 2021).*

(21) Appl. No.: **29/775,986**

(Continued)

(22) Filed: **Mar. 26, 2021**

Primary Examiner — Mark A Goodwin

(51) **LOC (14) Cl.** **26-05**

Assistant Examiner — William B Melliar

(52) **U.S. Cl.**

(74) *Attorney, Agent, or Firm* — ScienBiziP, P.C.

USPC **D26/104**; D26/106

(58) **Field of Classification Search**

(57) **CLAIM**

USPC D26/24, 37–52, 93, 104–108, 110, 113,
D26/118–120, 123–124, 138

The ornamental design for a portable lamp, as shown and described.

CPC ... F21Y 2115/10; F21Y 2103/30; F21S 6/002;
F21S 6/003; F21S 6/00; F21V 33/0048

See application file for complete search history.

(56) **References Cited**

DESCRIPTION

U.S. PATENT DOCUMENTS

D168,092 S	*	11/1952	Hedu	D11/153
D462,475 S	*	9/2002	Wu	D26/104
D468,477 S	*	1/2003	Landefeld	D26/104
D577,458 S	*	9/2008	Chan	D26/104
D605,337 S	*	12/2009	Zhang	D26/104
D619,754 S	*	7/2010	Lai	D26/124
D628,746 S	*	12/2010	Peta	D28/61
D747,817 S	*	1/2016	Oka	D26/1
D756,541 S	*	5/2016	Lagier	D26/1
D772,457 S	*	11/2016	Lee	D26/52
D836,821 S	*	12/2018	Ossino	D26/106
D846,790 S	*	4/2019	Wilkinson	D26/88
D883,558 S	*	5/2020	Zhao	D26/106
D905,318 S	*	12/2020	Cui	D26/106

FIG. 1 is a front, and top perspective view of a portable lamp, showing my design.

FIG. 2 is a front, left, and bottom perspective view thereof.

FIG. 3 is a front elevation view thereof.

FIG. 4 is a rear elevation view thereof.

FIG. 5 is a left side elevation view thereof.

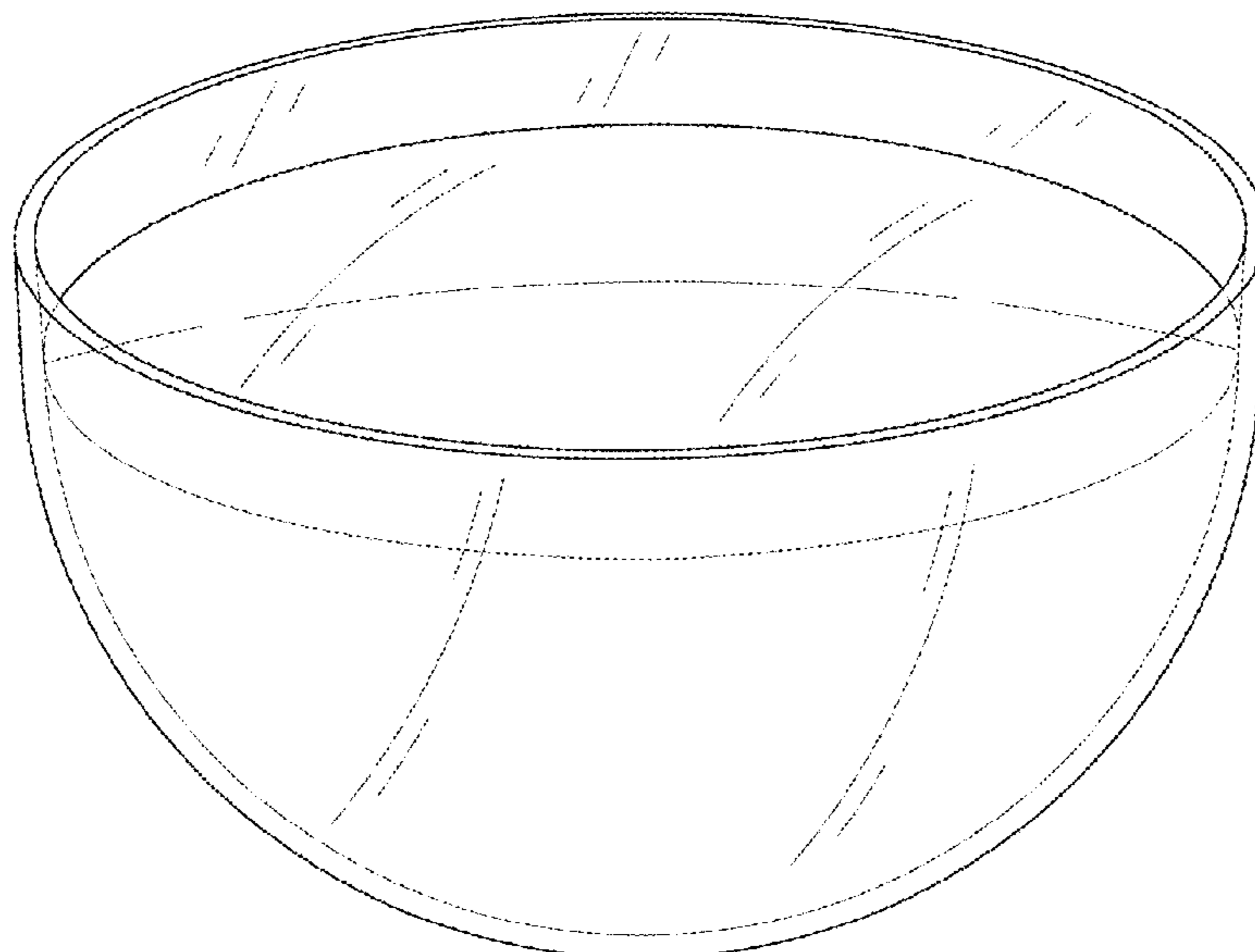
FIG. 6 is a right side elevation view thereof.

FIG. 7 is a top plan view thereof; and,

FIG. 8 is a bottom plan view thereof.

The broken lines shown in the drawings are included for the purpose of illustrating portions of the portable lamp that form no part of the claimed design.

1 Claim, 8 Drawing Sheets



(56)

References Cited

FOREIGN PATENT DOCUMENTS

CN 307206509 * 3/2022

OTHER PUBLICATIONS

Philips Hue Go White and Color Portable Dimmable LED Smart Light Table Lamp. By Philips Hue. Dated May 20, 2015. Found online [Apr. 20, 2022]. <https://www.amazon.com/Philips-Hue-Portable-Dimmable-Assistant/dp/B00UVHAC1O> (Year: 2015).*

Philips hue Go White and Color Portable Dimmable LED (Bluetooth and Zigbee) Smart Light Table Lamp. By Philips Hue. Dated Oct. 28, 2019. Found online [Apr. 20, 2022]. <https://www.amazon.com/Philips-Hue-7602031-Bluetooth-Zigbee/dp/B07Z8CNCLN> (Year: 2019).*

* cited by examiner

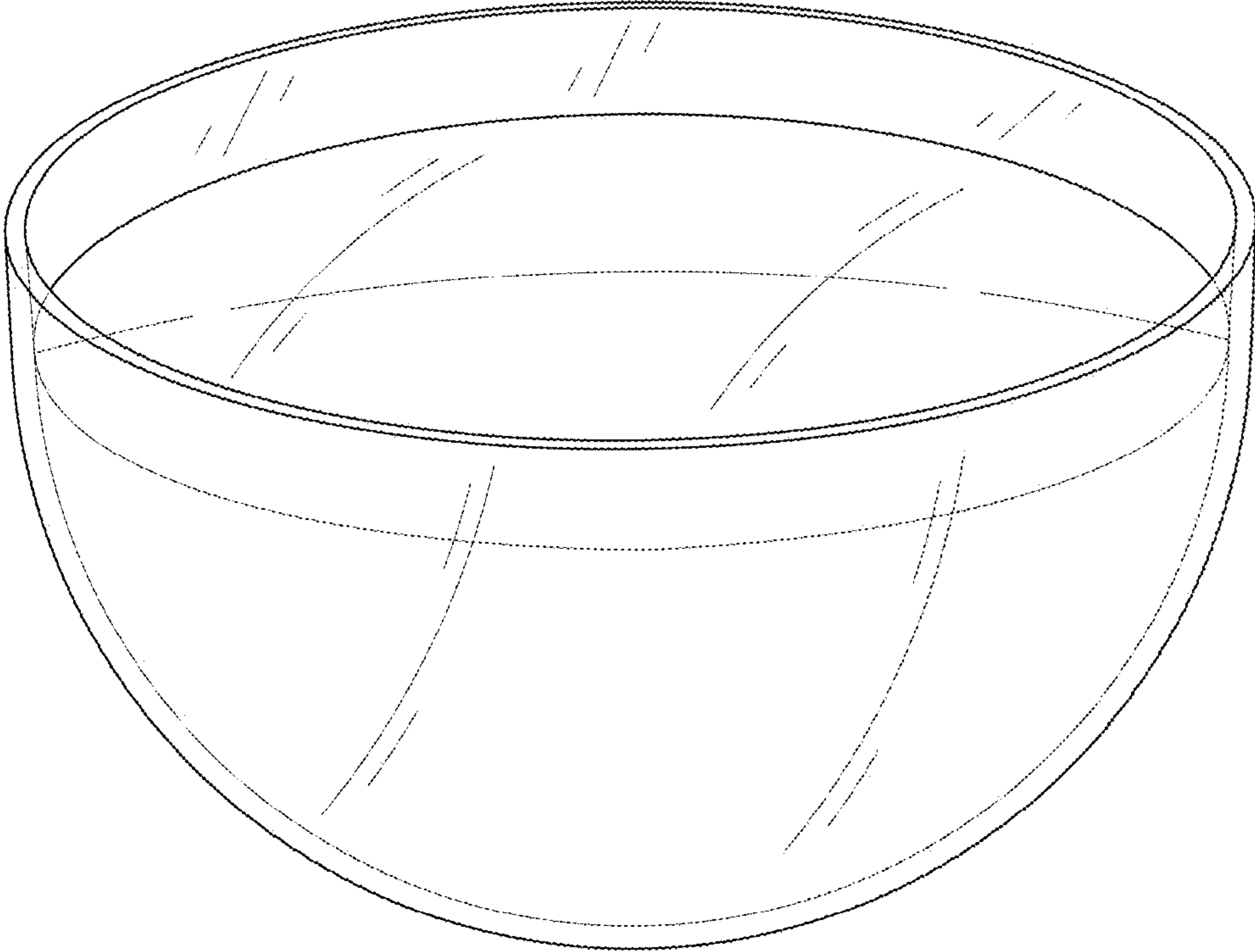


FIG. 1

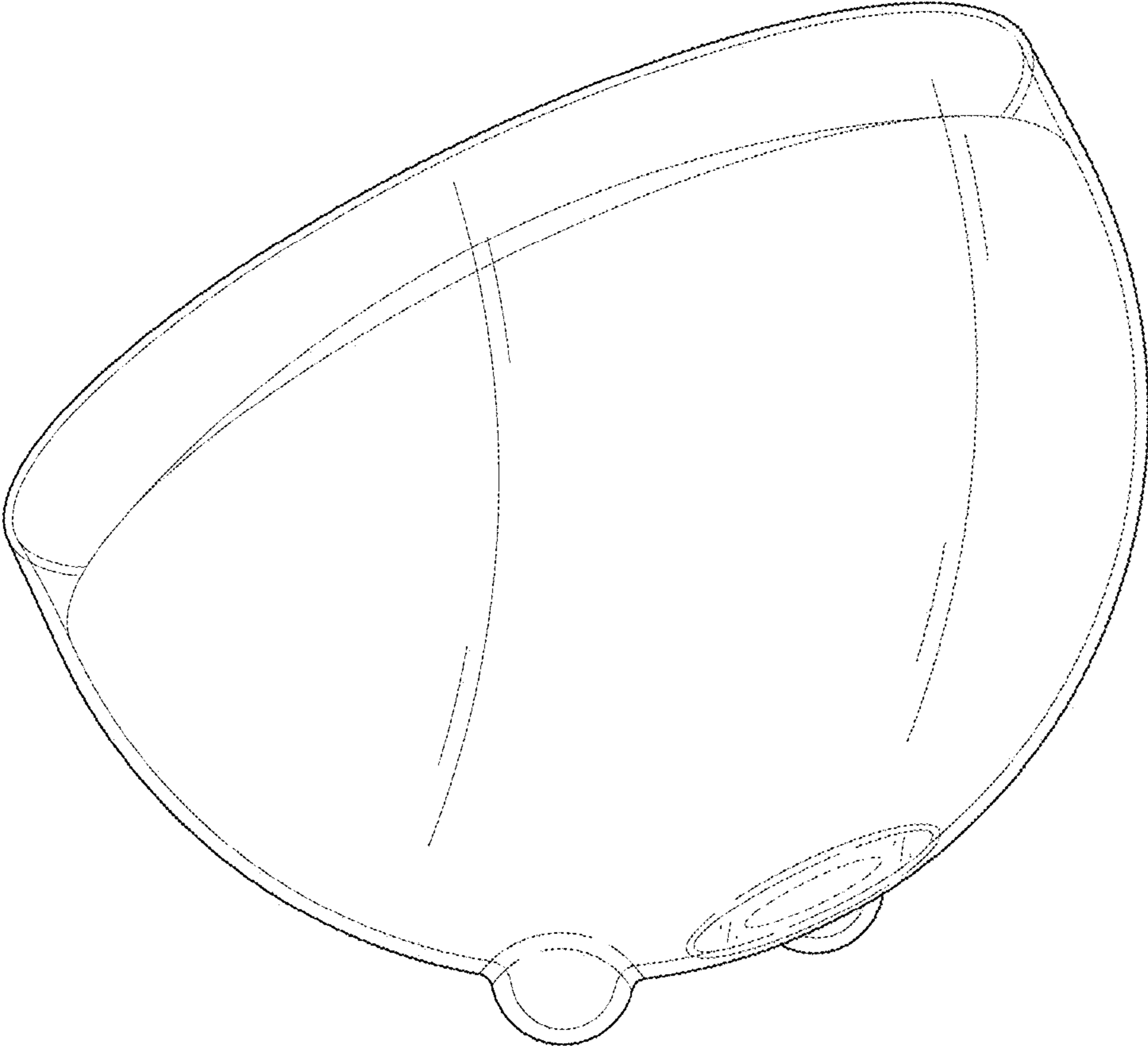


FIG. 2

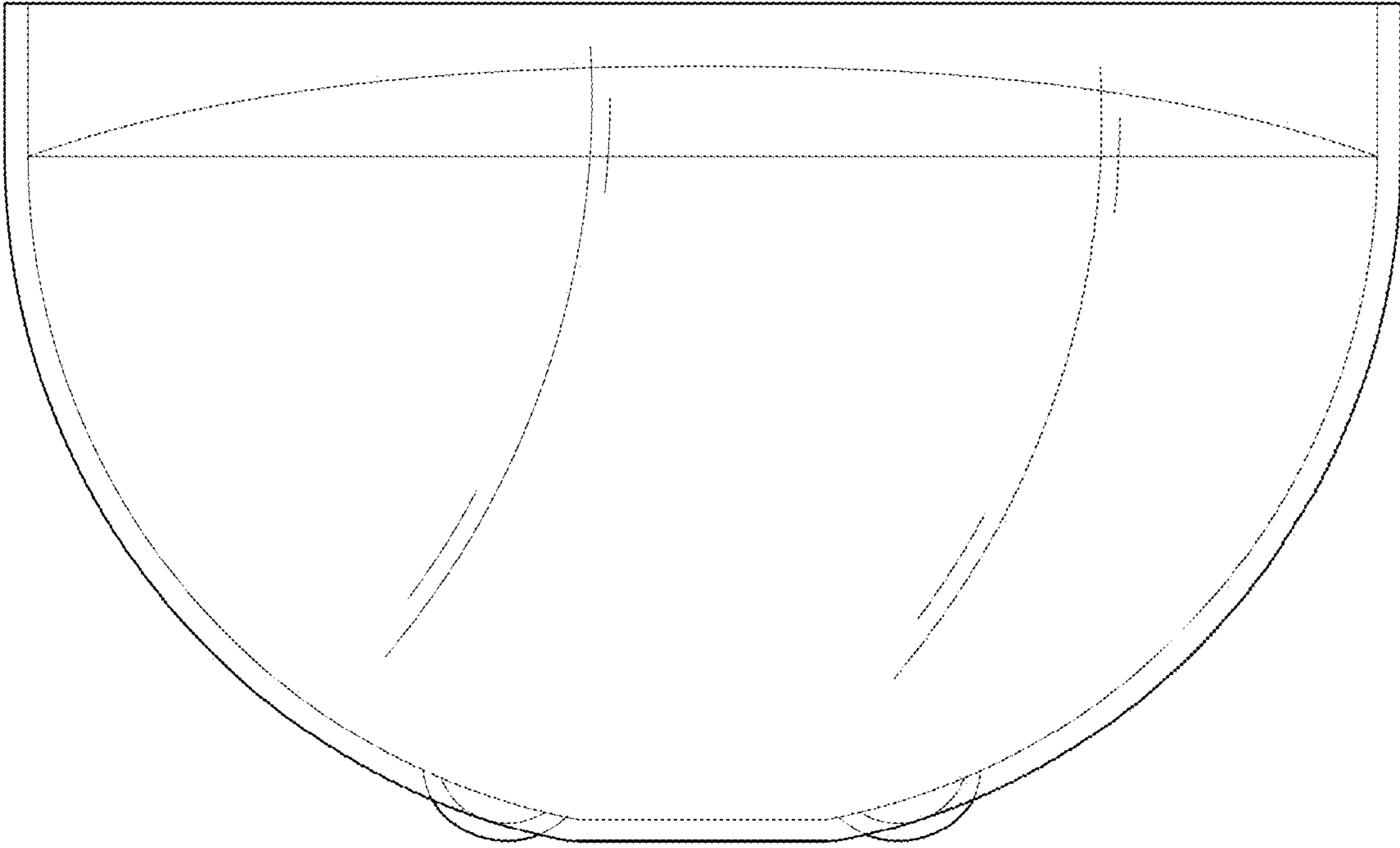


FIG. 3

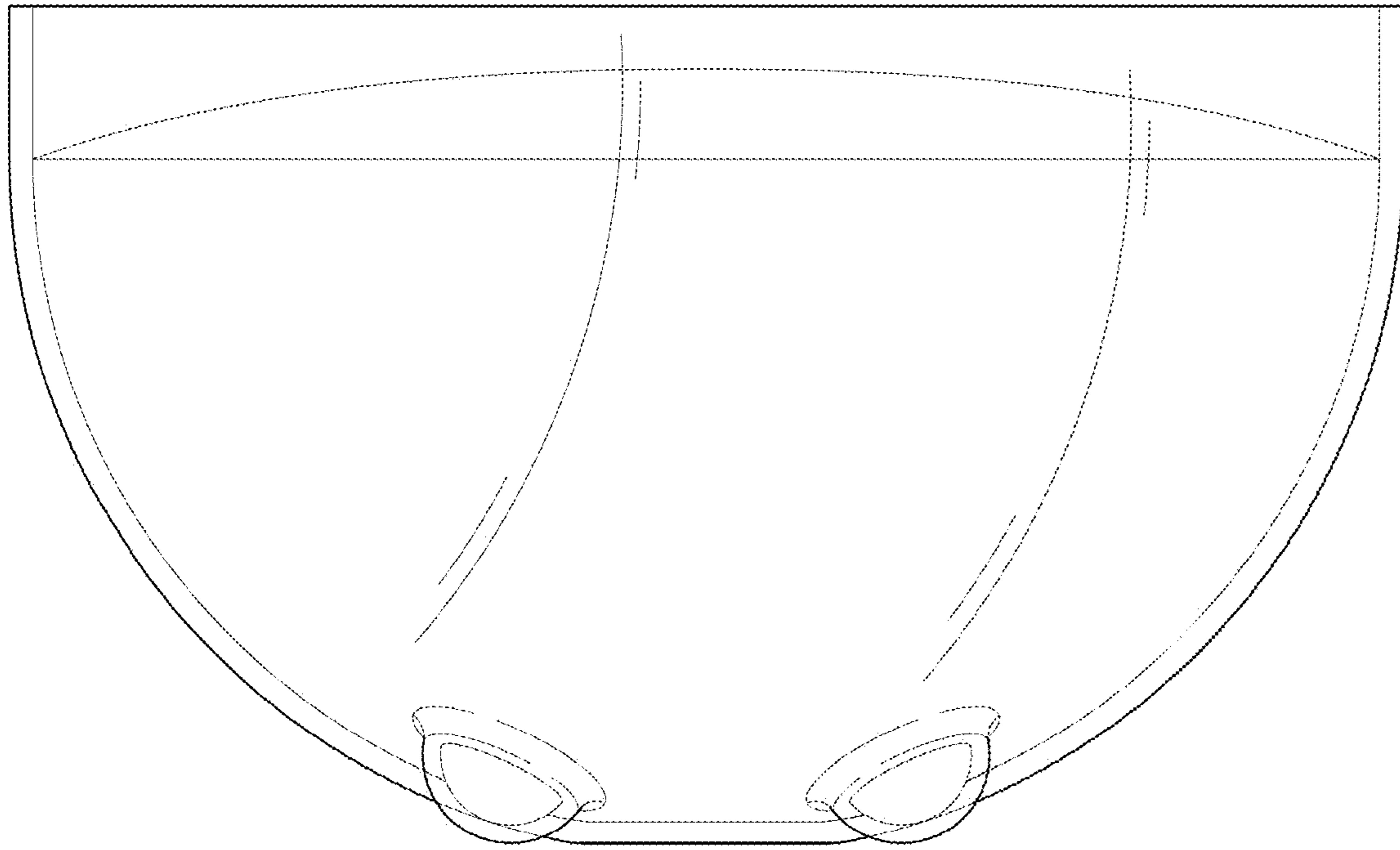


FIG. 4

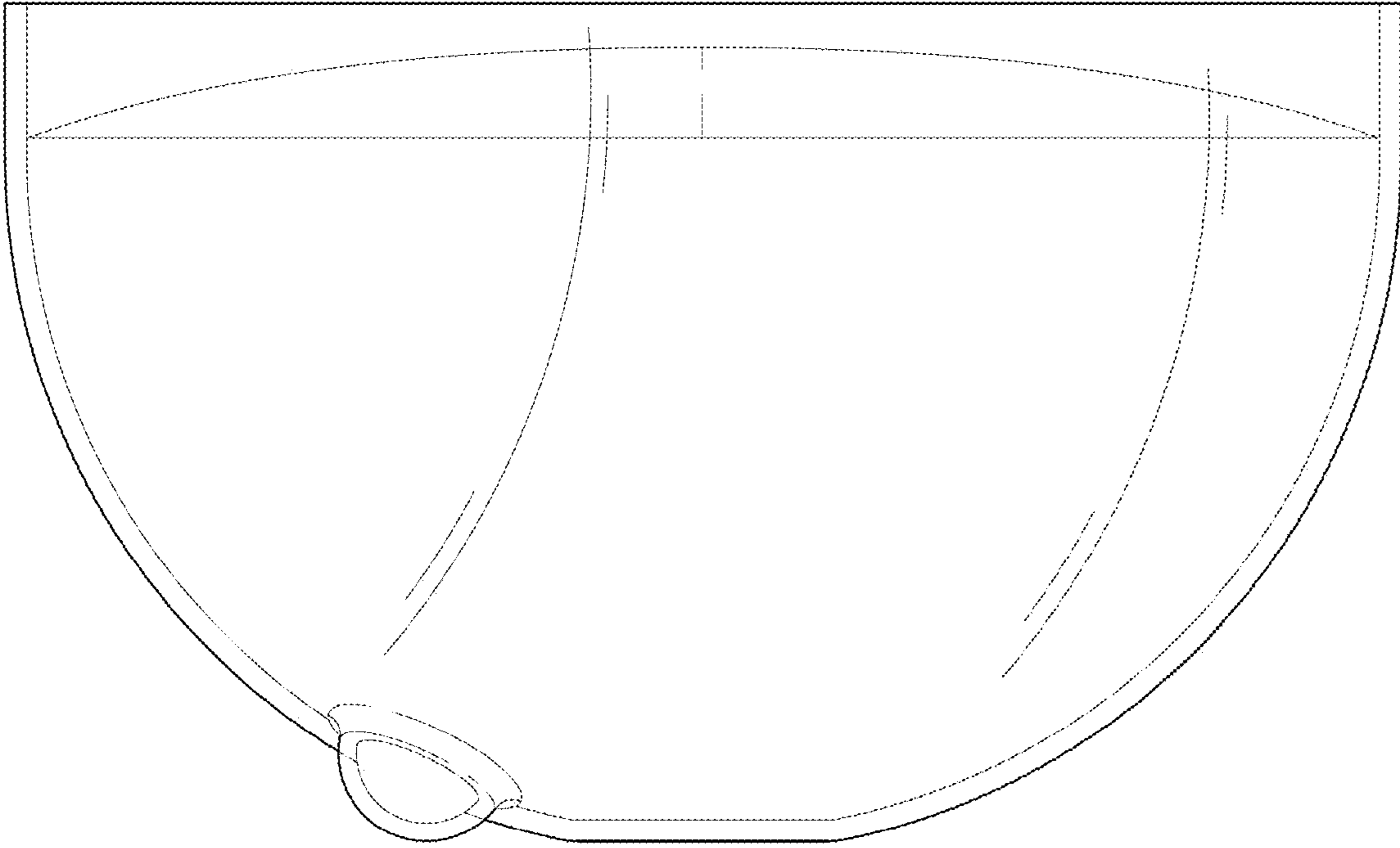


FIG. 5

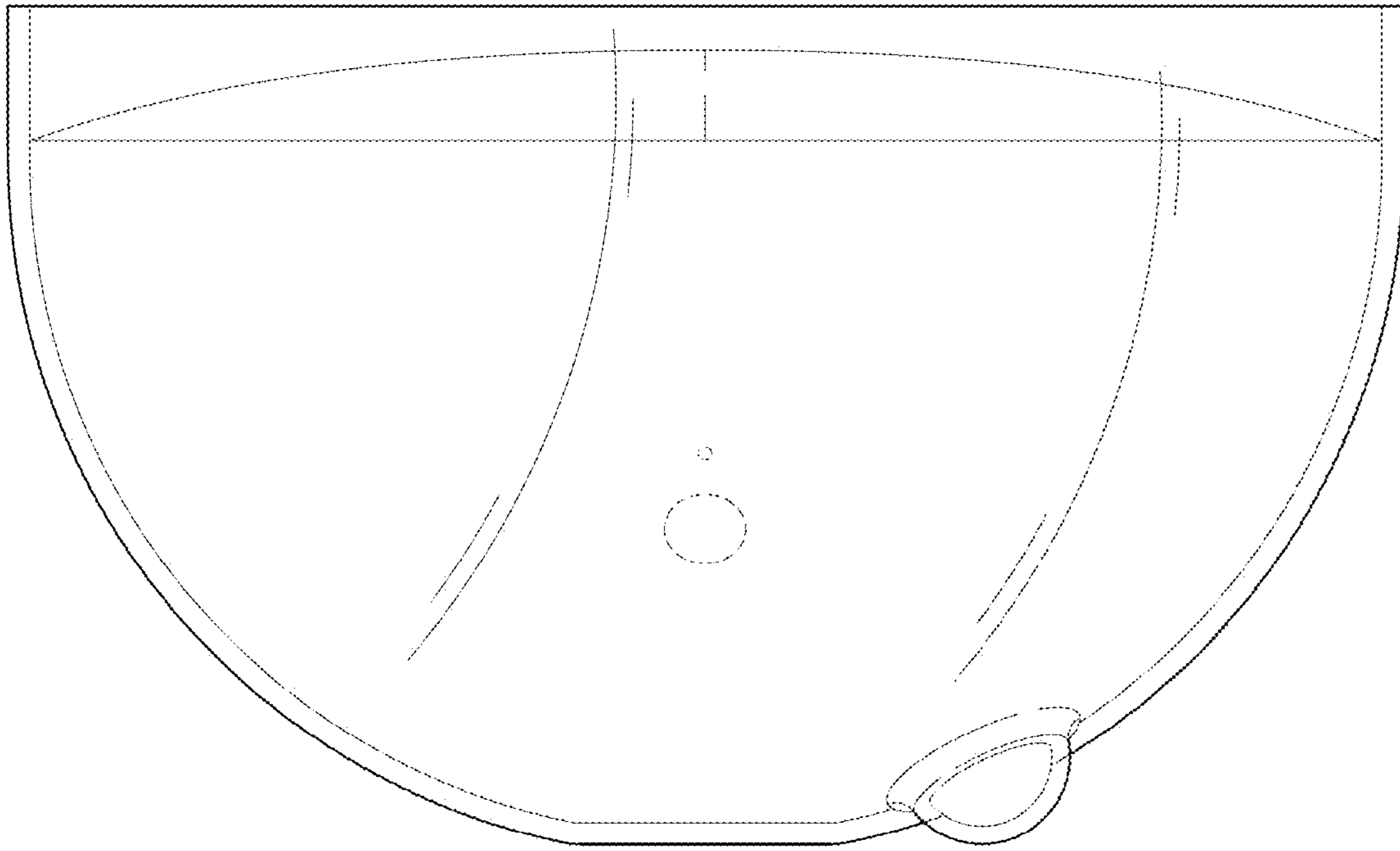


FIG. 6

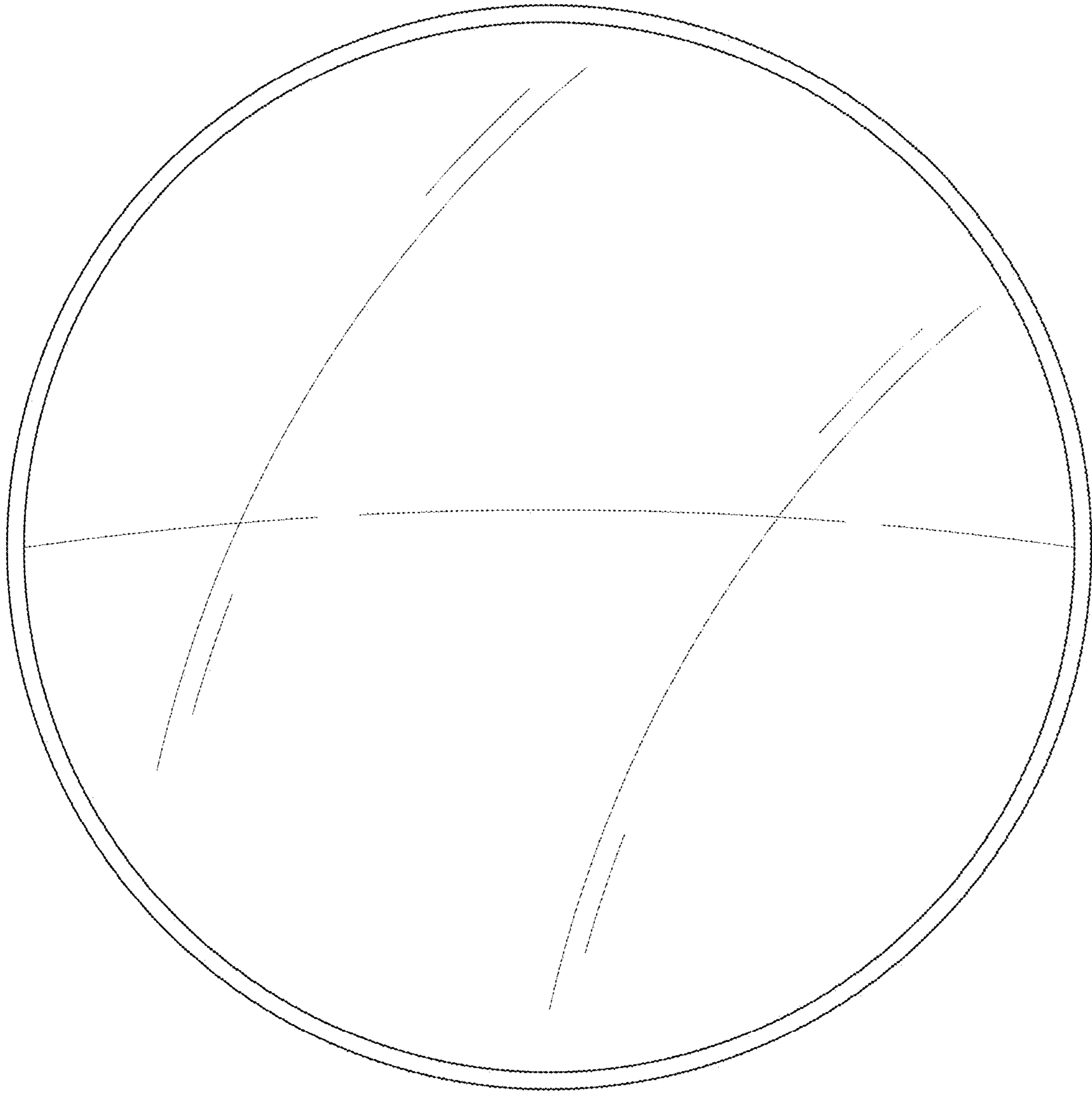


FIG. 7

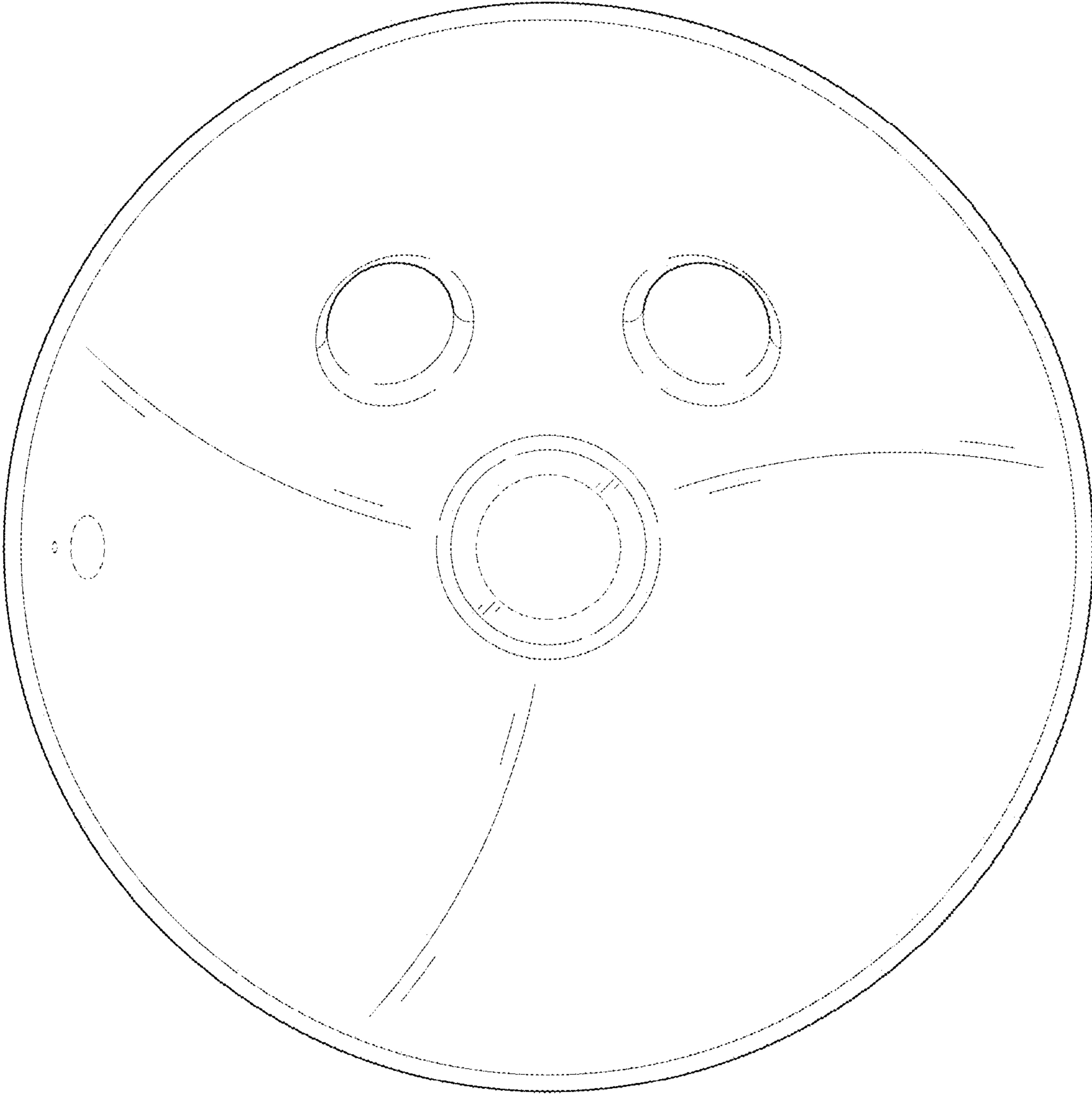


FIG. 8