



US00D983440S

(12) **United States Design Patent**
Amato et al.

(10) **Patent No.:** **US D983,440 S**
(45) **Date of Patent:** **** Apr. 11, 2023**

(54) **LIGHTING FIXTURE**

(71) Applicant: **The Urban Electric Company**, North Charleston, SC (US)

(72) Inventors: **Michael Amato**, London (GB); **David Dawson**, Charleston, SC (US); **Joeangel Casanova**, Brooklyn, NY (US); **Kevin Langer**, Charleston, SC (US); **Brianna Magagnoli**, North Charleston, SC (US); **Janis Golubeckis**, Mount Pleasant, SC (US)

(73) Assignee: **The Urban Electric Company**, North Charleston, SC (US)

(**) Term: **15 Years**

(21) Appl. No.: **29/720,048**

(22) Filed: **Jan. 9, 2020**

(51) **LOC (14) Cl.** **26-05**

(52) **U.S. Cl.**
USPC **D26/89**

(58) **Field of Classification Search**
USPC D26/24, 72, 78, 81, 83, 84, 85, 88, 89,
D26/113
CPC F21V 3/00; F21V 3/02; F21S 8/04; F21S
8/08

See application file for complete search history.

(56) **References Cited**

U.S. PATENT DOCUMENTS

D297,170 S *	8/1988	Elliott	D10/114.2
5,034,869 A *	7/1991	Choi	F21V 21/02 362/453
D385,054 S *	10/1997	Landefeld	D26/85
D443,713 S *	6/2001	Benensohn	D26/72
D549,384 S *	8/2007	Grawunder	D26/85
D593,224 S *	5/2009	Hanley	D26/2
D640,645 S *	6/2011	Andrews	D26/2
D644,677 S *	9/2011	Park	D16/203
D658,317 S *	4/2012	Eberle	D26/24

D747,824 S *	1/2016	Stolte	F21V 29/83 D26/89
D797,984 S *	9/2017	Dolgov	D26/112
D917,739 S *	4/2021	Lum	D26/24
D953,583 S *	5/2022	Lum	D26/24
D955,014 S *	6/2022	Lum	D26/24
D964,614 S *	9/2022	Ding	D2/866

FOREIGN PATENT DOCUMENTS

CN RGN_304712543 * 7/2018

OTHER PUBLICATIONS

Mette (available online) Retrieved from the internet Jan. 13, 2022 from URL: <https://www.urbanelectric.com/mette.html>.*

* cited by examiner

Primary Examiner — Richard Kearney

(74) *Attorney, Agent, or Firm* — Haynsworth Sinkler Boyd, P.A.

(57) **CLAIM**

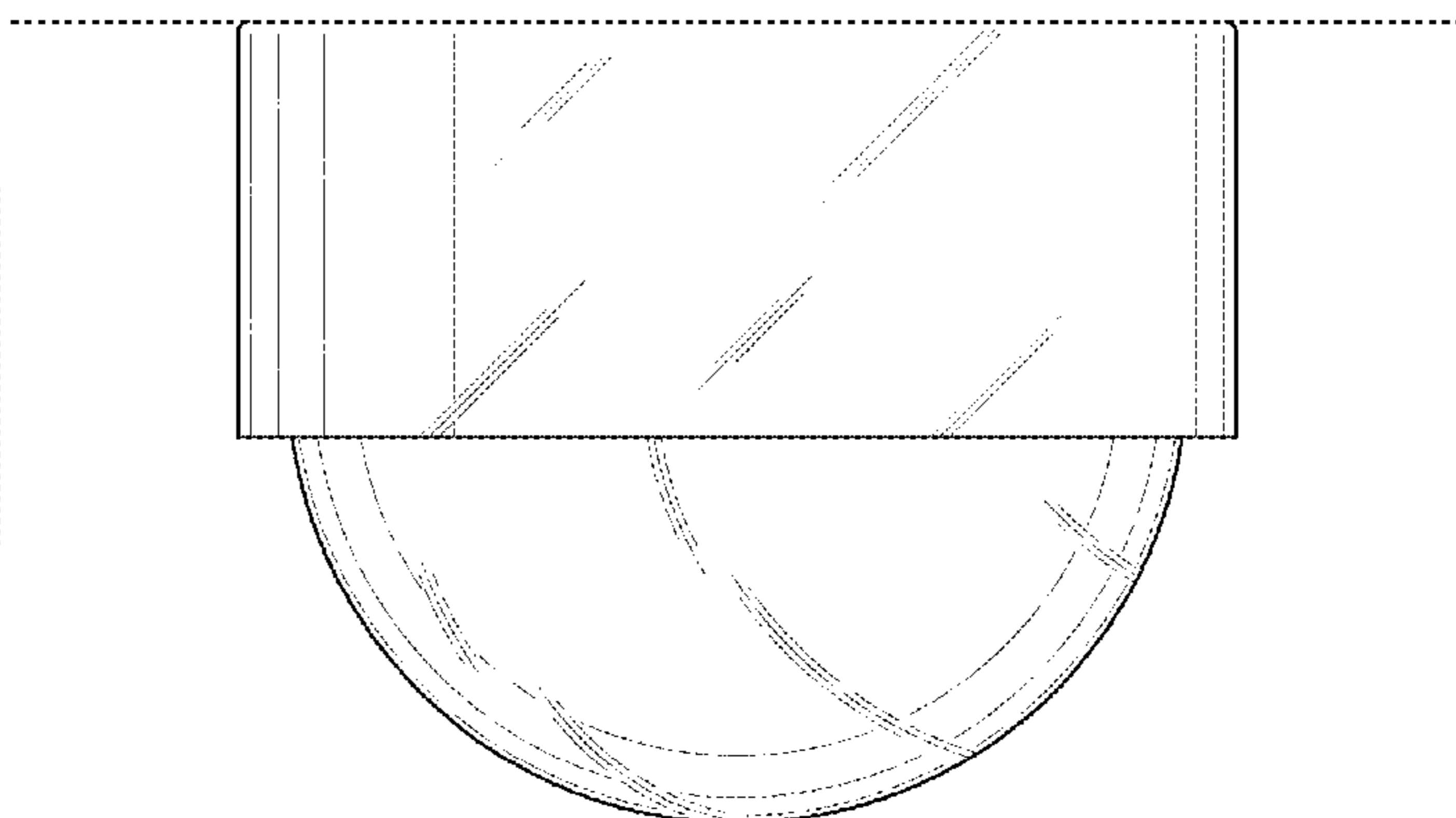
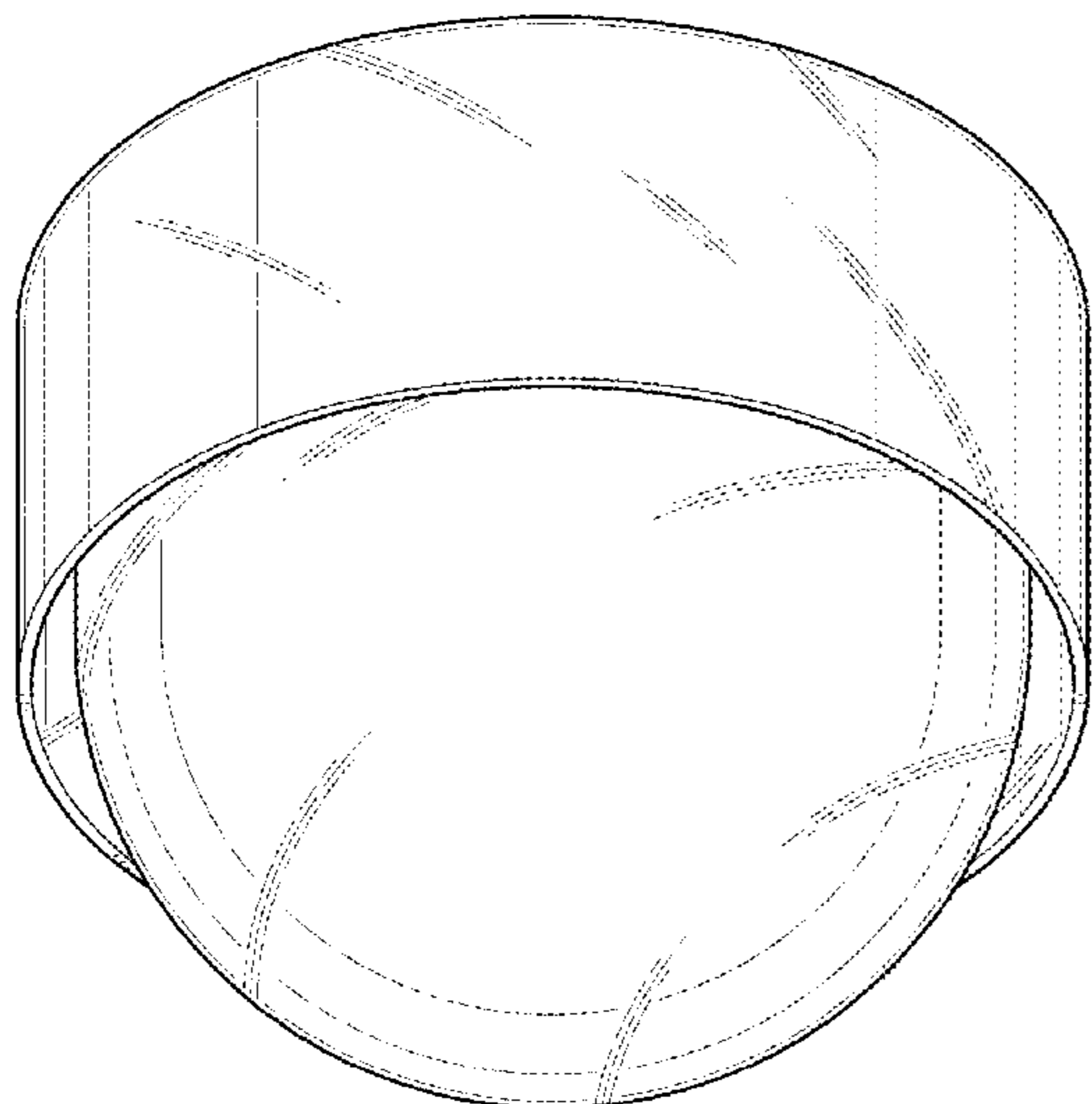
The ornamental design for a lighting fixture, as shown and described.

DESCRIPTION

FIG. 1 is a bottom perspective view of a lighting fixture depicting a new design;
FIG. 2 is a top perspective view thereof;
FIG. 3 is a front elevational view thereof;
FIG. 4 is a back elevational view thereof;
FIG. 5 is a left elevational view thereof;
FIG. 6 is a right elevational view thereof; and,
FIG. 7 is a bottom plan view thereof.

The horizontal broken lines extending out beyond the perimeter of the fixture in FIGS. 3-6 are intended to demonstrate environment only and form no part of the claimed design. The remaining broken line disclosures in the views represent portions of the Lighting Fixture that form no part of the claimed design.

1 Claim, 7 Drawing Sheets



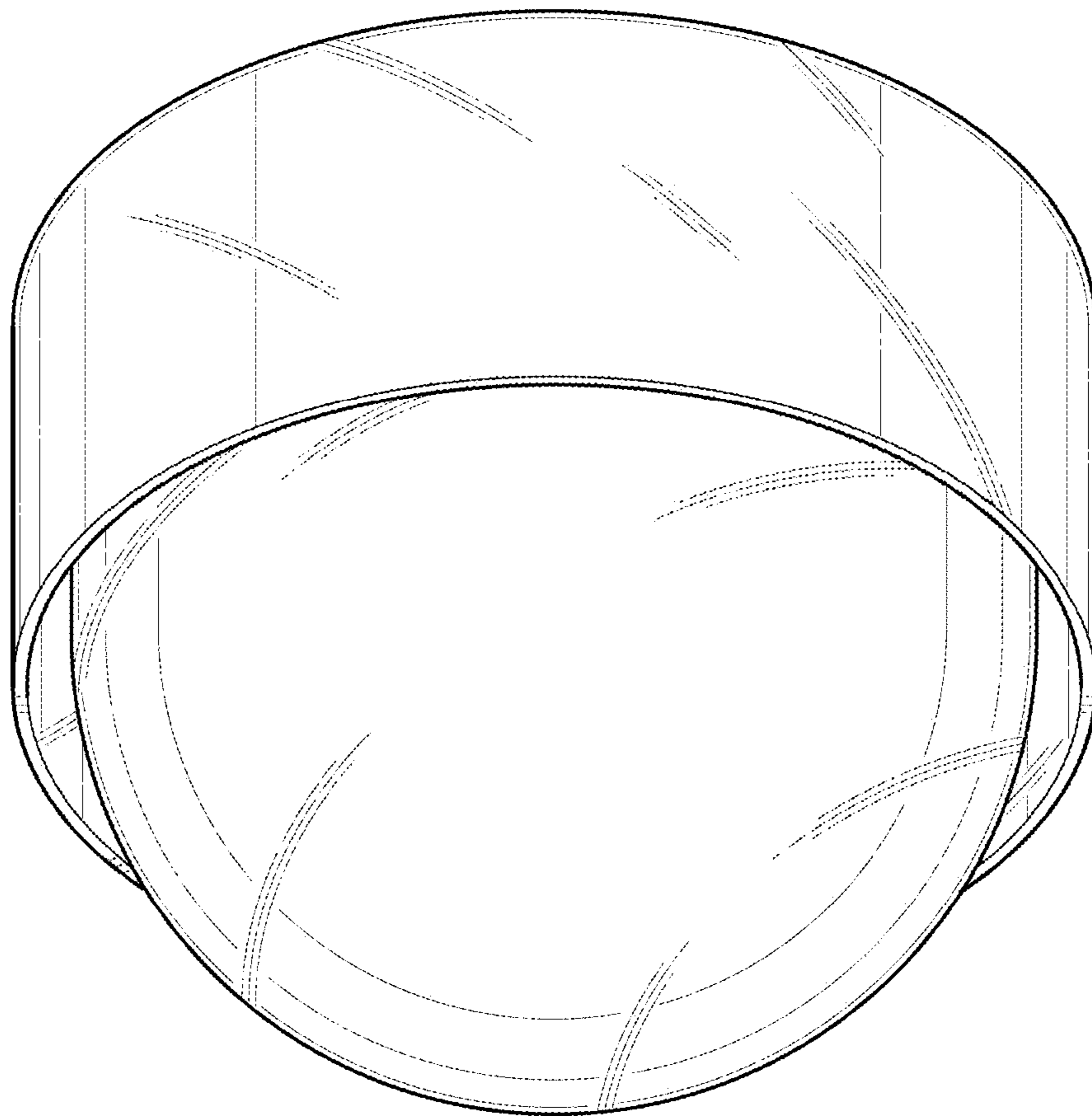


FIG. 1

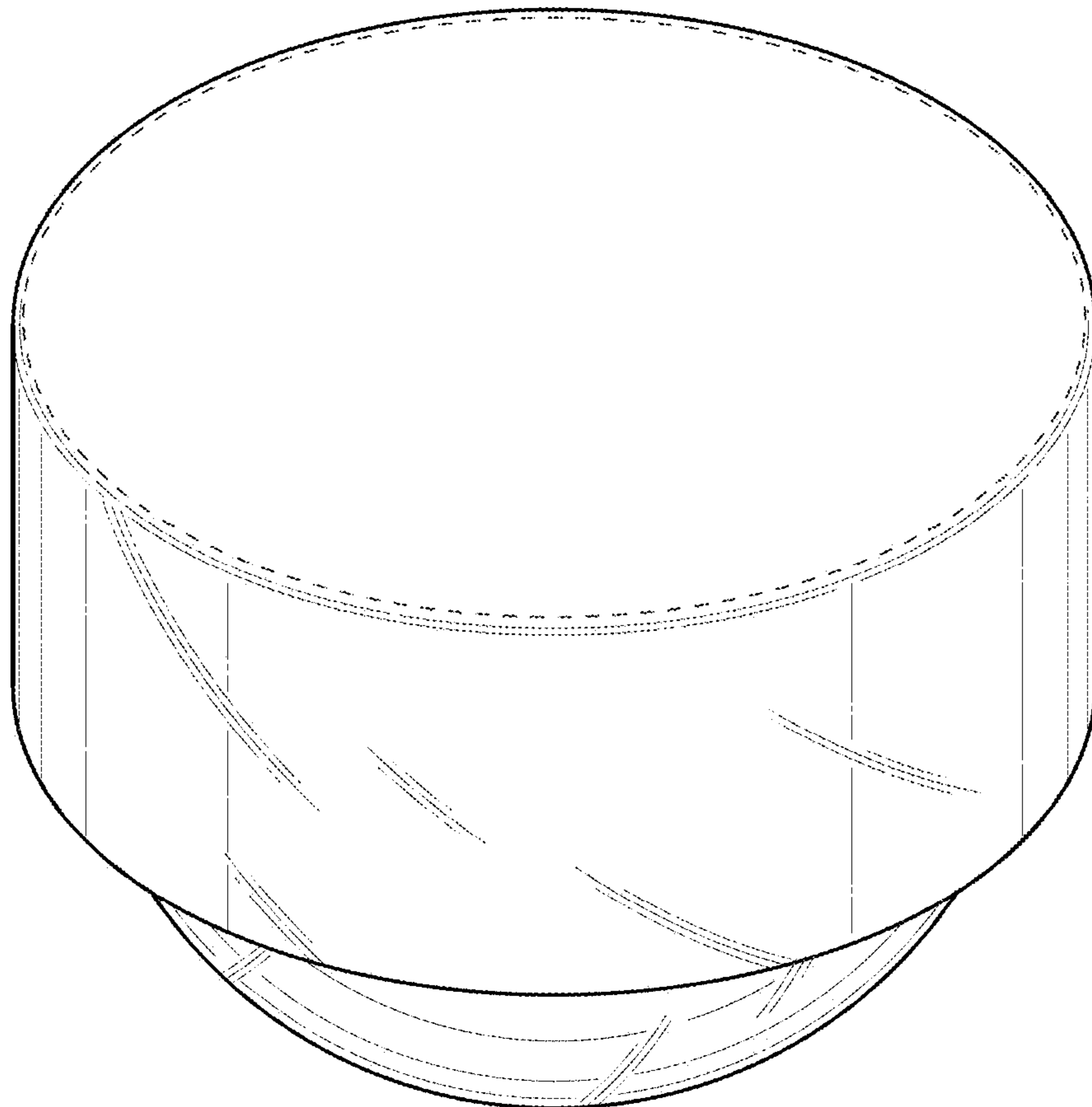


FIG. 2

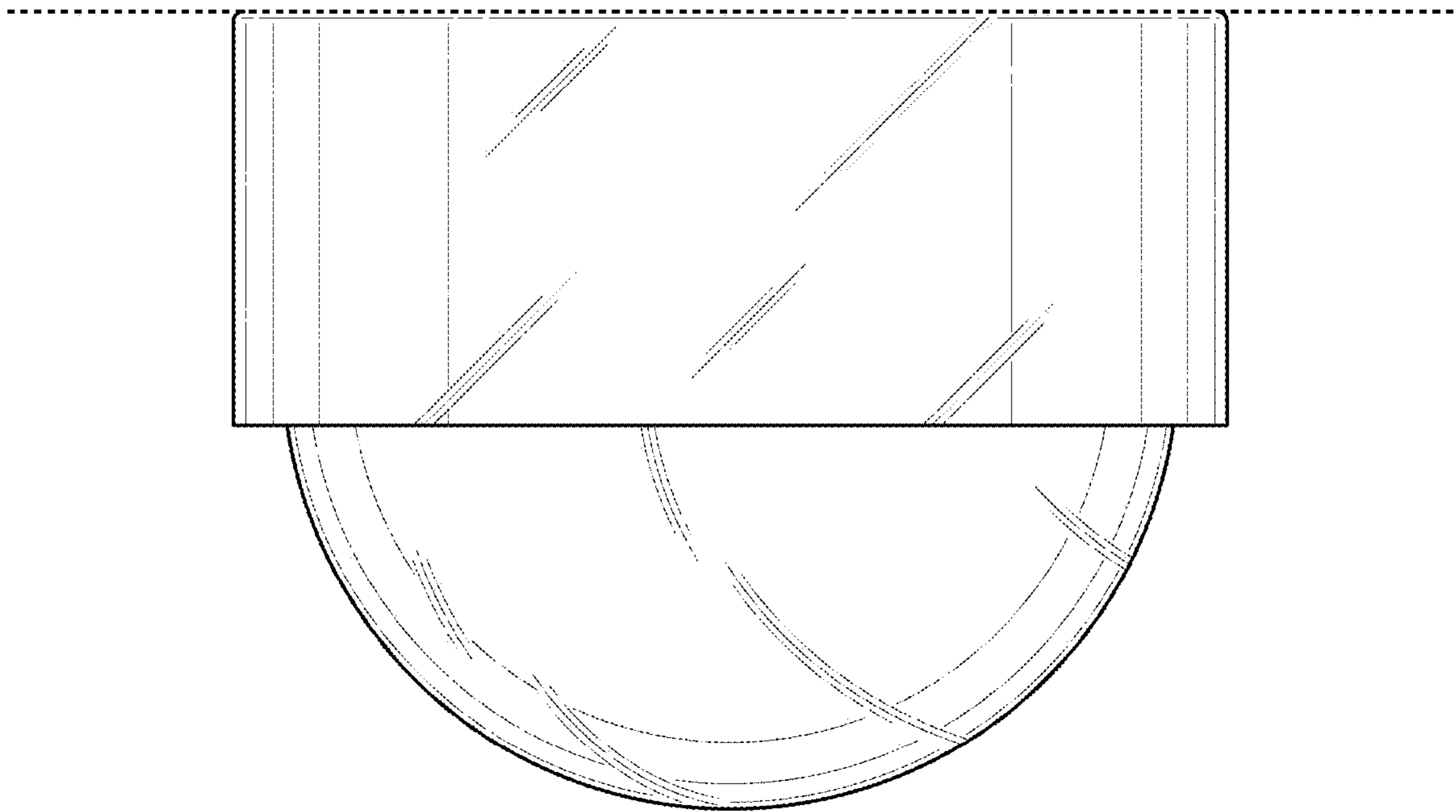


FIG. 3

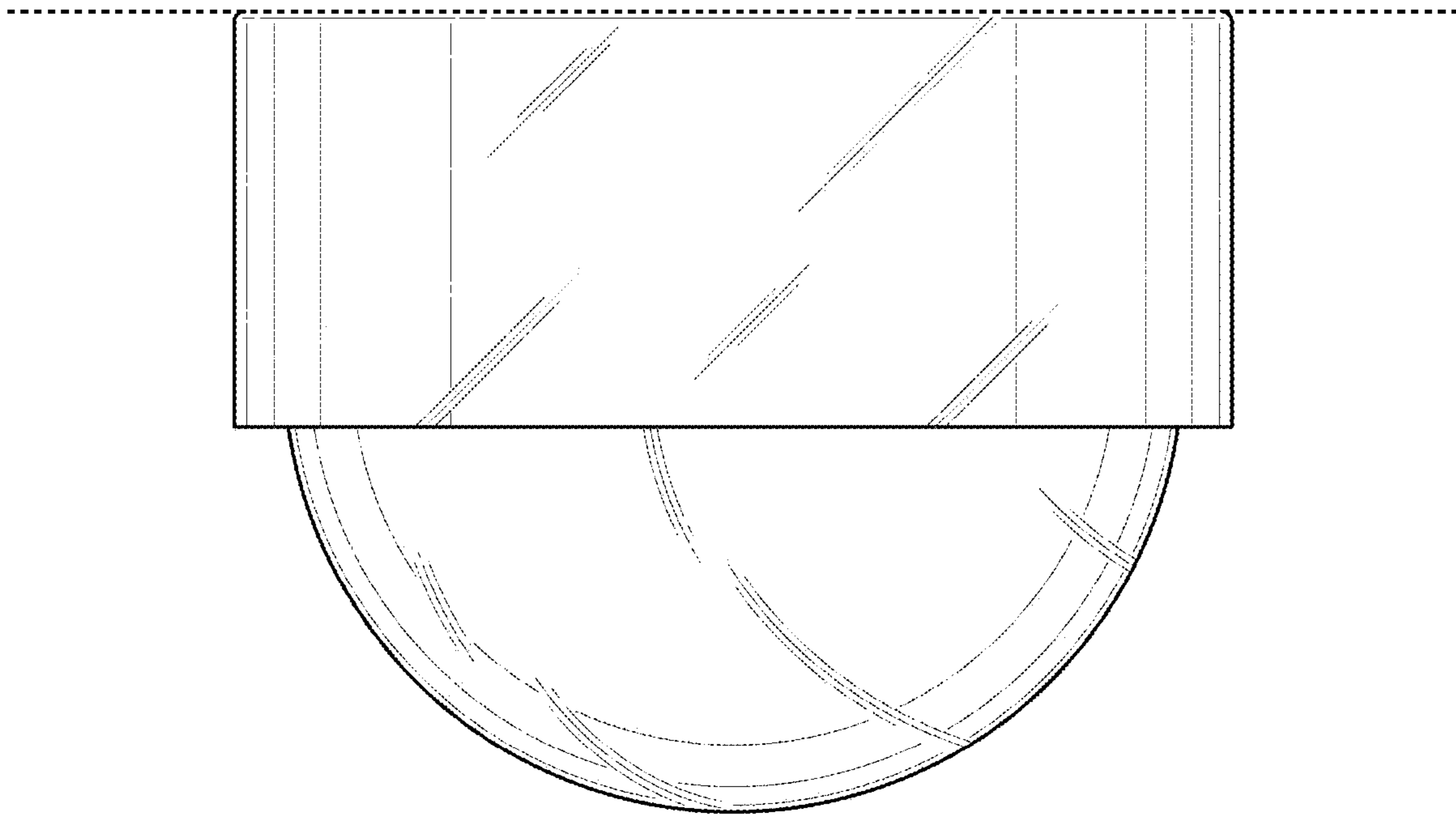


FIG. 4

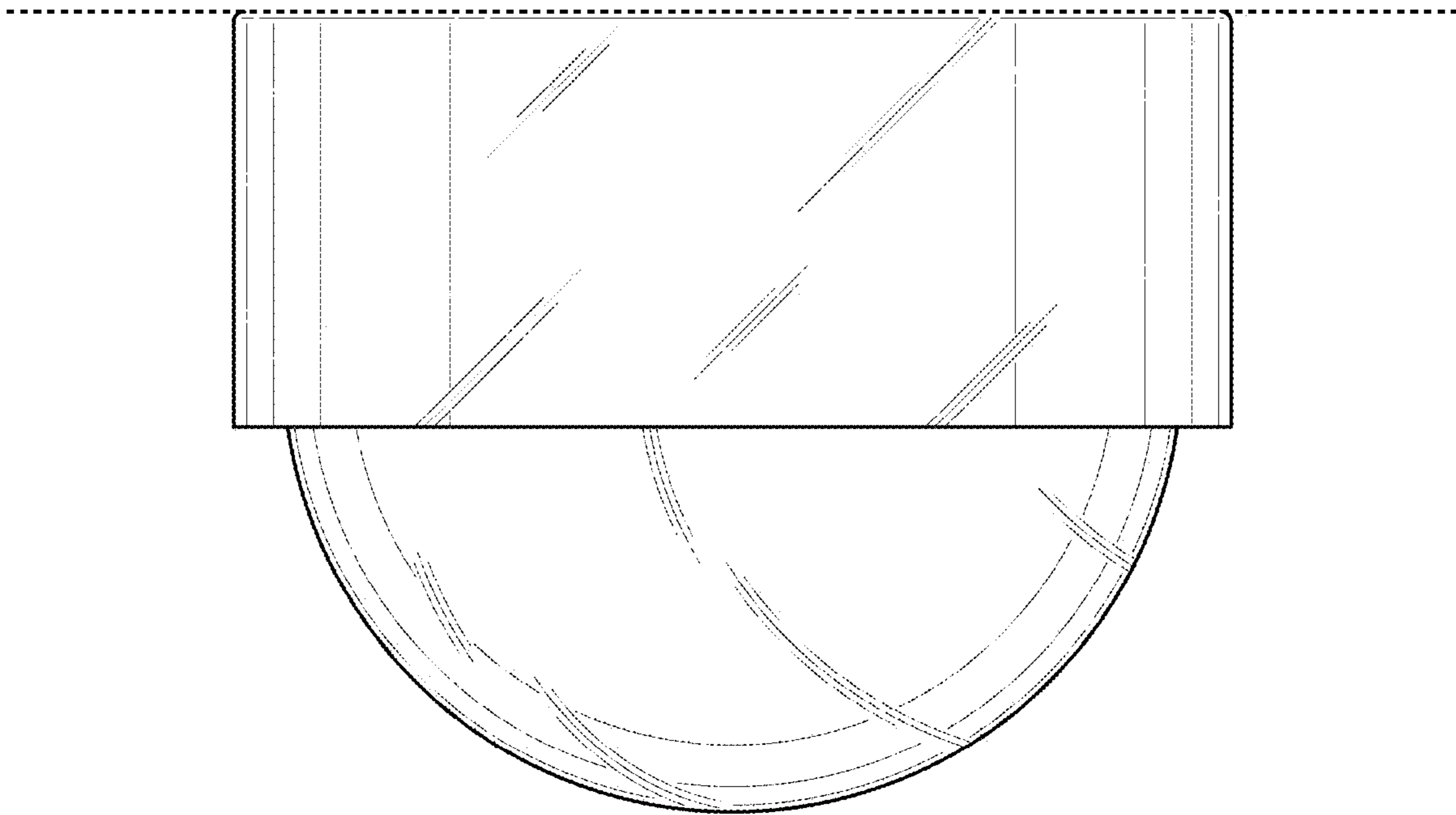


FIG. 5

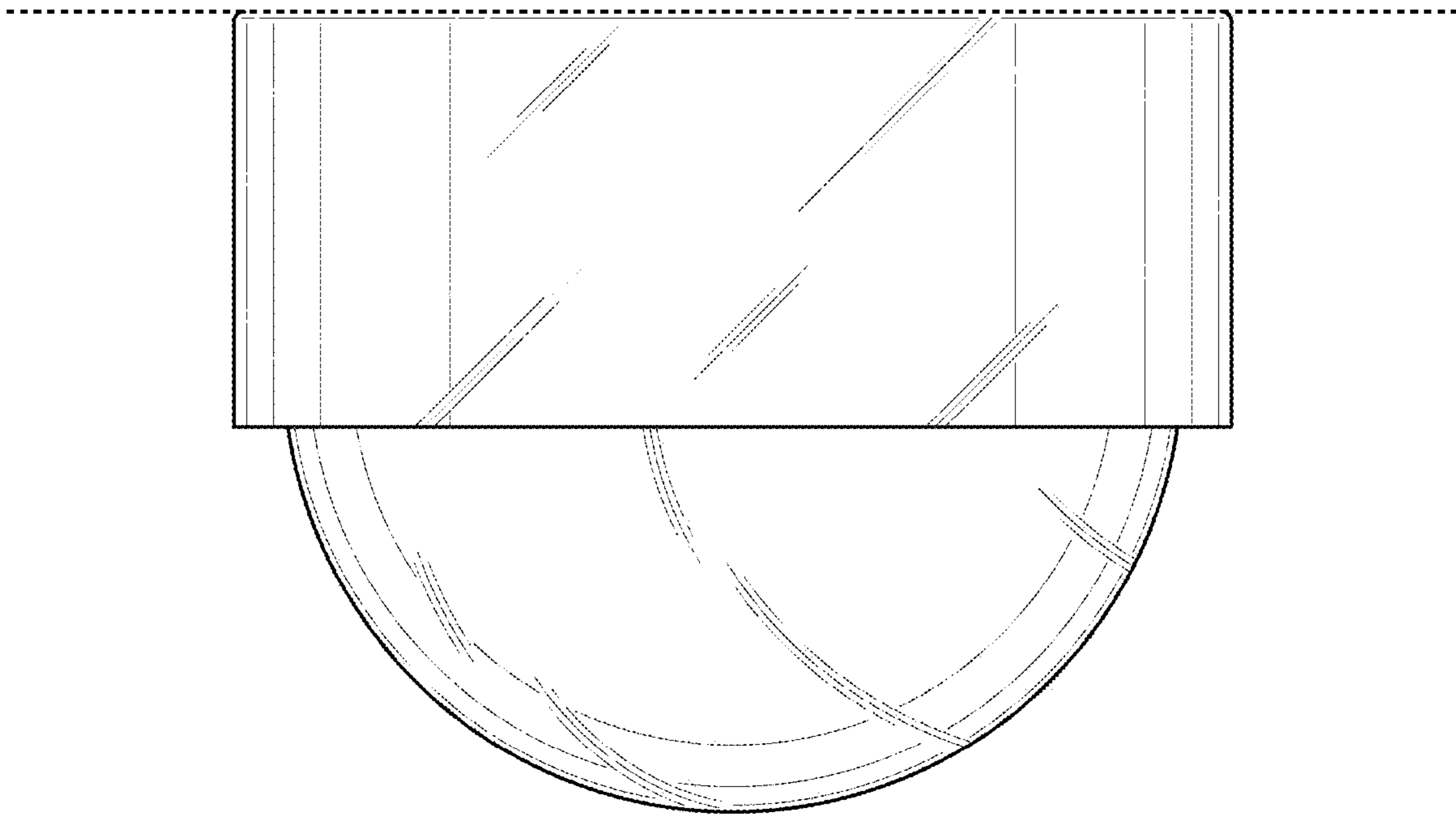


FIG. 6

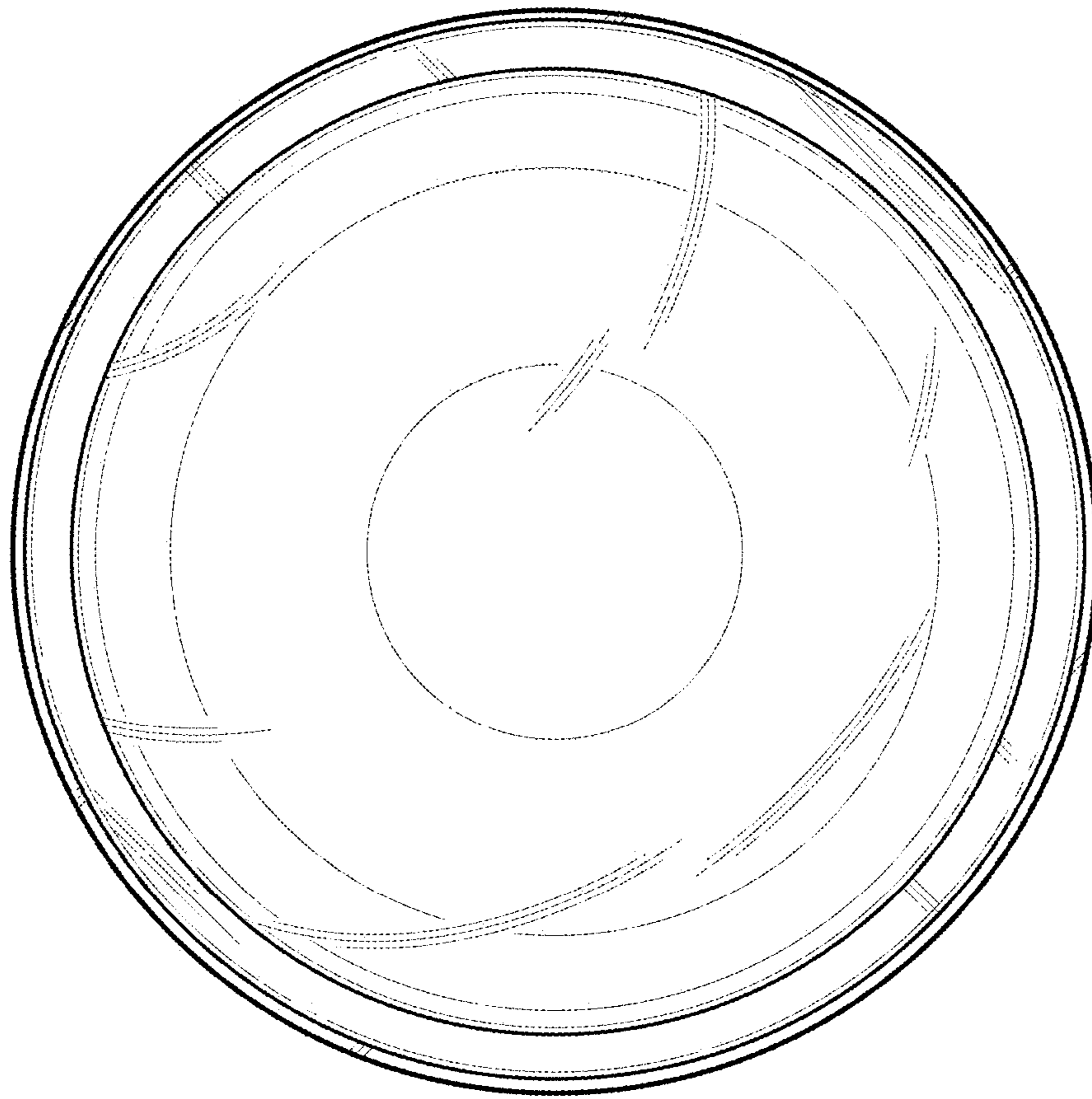


FIG. 7