



US00D983439S

(12) **United States Design Patent**
Huang

(10) **Patent No.:** **US D983,439 S**

(45) **Date of Patent:** **** Apr. 11, 2023**

(54) **OUTDOOR WALL LIGHT**

(71) Applicant: **Jincheng Huang**, Zhongshan (CN)

(72) Inventor: **Jincheng Huang**, Zhongshan (CN)

(**) Term: **15 Years**

(21) Appl. No.: **29/824,658**

(22) Filed: **Jan. 26, 2022**

(51) **LOC (14) Cl.** **26-05**

(52) **U.S. Cl.**
USPC **D26/87; D26/85**

(58) **Field of Classification Search**
USPC D26/24, 37, 60–65, 72–92, 128
CPC F21S 6/003; F21S 6/002; F21S 6/00; F21S
8/00; F21S 10/00; F21S 6/004; F21S
6/006; F21S 6/008; F21V 21/26; F21V
21/14; F21Y 2115/10

See application file for complete search history.

(56) **References Cited**

U.S. PATENT DOCUMENTS

D417,522 S *	12/1999	Klaus	D26/87
D445,209 S *	7/2001	Chen	D26/72
D467,380 S	12/2002	Dolan		
D470,963 S *	2/2003	Cheong	D26/67
D475,797 S *	6/2003	Cheong	D26/37
D487,530 S *	3/2004	Hsu	D26/92
D574,534 S *	8/2008	Lastimosa	D26/92
D576,767 S	9/2008	Gutkin		
D588,294 S *	3/2009	Flores	D26/85
D588,305 S	3/2009	Chan		
D652,561 S *	1/2012	Chen	D26/85
D671,669 S *	11/2012	Orozco	D26/128
D713,588 S *	9/2014	Clark	D26/85
D754,907 S *	4/2016	Orozco	D26/85
D906,573 S *	12/2020	Smith	D26/85
D906,575 S *	12/2020	Orozco	D26/85
D913,564 S *	3/2021	Glazer	F21S 8/036 D26/87

OTHER PUBLICATIONS

1 Light Black Hardwired Outdoor Wall Lantern Sconce. By Home Depot. No Date. Found online [Oct. 17, 2022]. <https://www.homedepot.com/p/1-Light-Black-Hardwired-Outdoor-Wall-Lantern-Sconce-Porch-Light-With-Clear-Glass-2-Pack-TG-YDXY-A007/319806786#overlay> (Year: 2022).*

Acushnet Wall Light. By Trent Austin Design. Dated Jun. 3, 2020. Found online [Oct. 17, 2022]. <https://www.wayfair.com/lighting/pdp/trent-austin-design-acushnet-outdoor-wall-lantern-w007512935.html> (Year: 2020).*

Merild Wall Light. By Gracie Oaks. Dated Jun. 14, 2020. Found online [Oct. 17, 2022]. <https://www.wayfair.com/lighting/pdp/gracie-oaks-merild-textured-black-1-bulb-outdoor-wall-lantern-w000987052.html> (Year: 2020).*

* cited by examiner

Primary Examiner — Mark A Goodwin

Assistant Examiner — William B Melliar

(74) *Attorney, Agent, or Firm* — Che-Yang Chen; Law Office of Michael Chen

(57) **CLAIM**

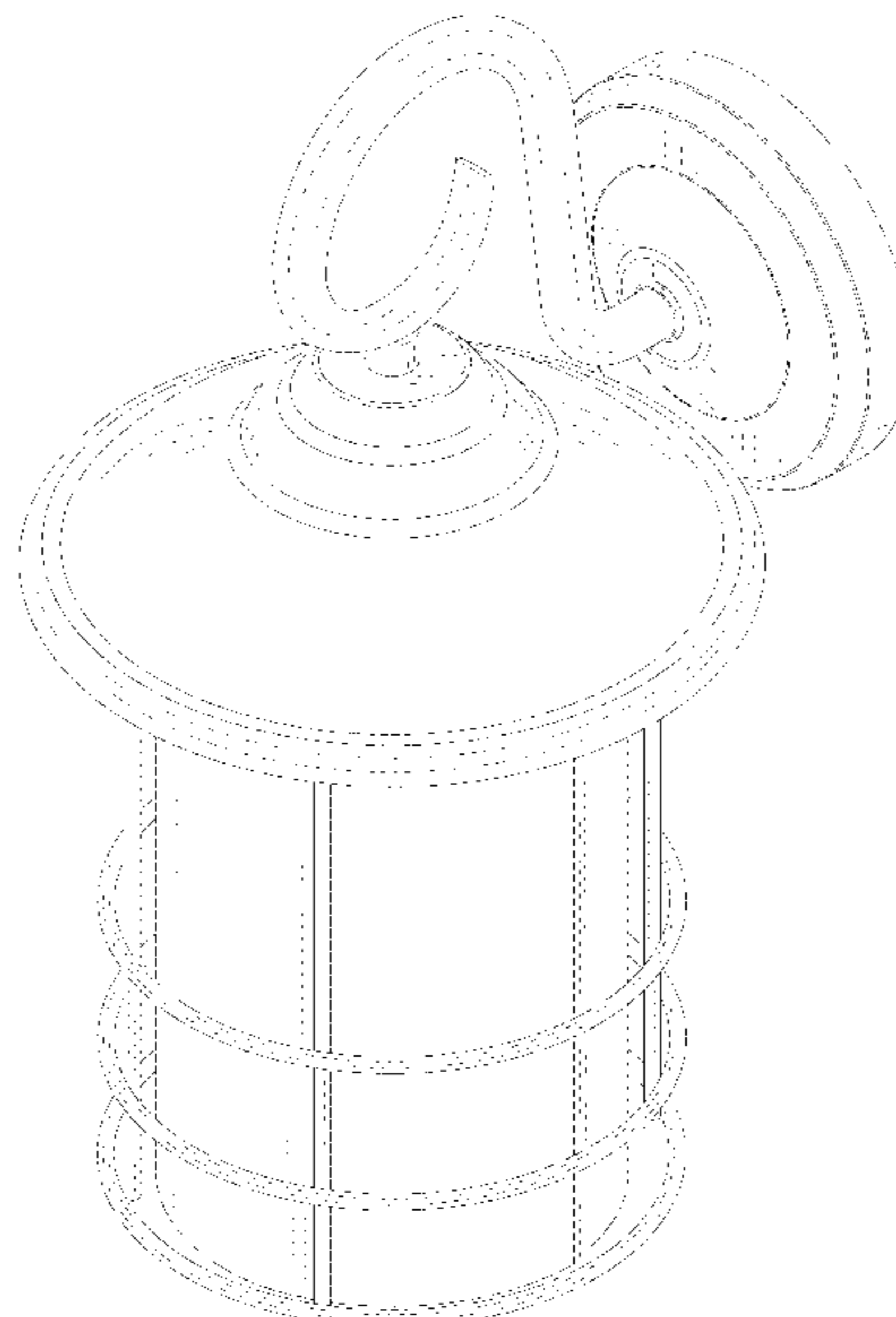
The ornamental design for an outdoor wall light, as shown and described.

DESCRIPTION

FIG. 1 is a perspective view of the outdoor wall light showing my new design;
FIG. 2 is a perspective view thereof from another angle;
FIG. 3 is a front elevational view thereof;
FIG. 4 is a rear elevational view thereof;
FIG. 5 is a left side elevational view thereof;
FIG. 6 is a right side elevational view thereof;
FIG. 7 is a top plan view thereof; and,
FIG. 8 is a bottom plan view thereof.

The broken lines in the drawings depict portions of the outdoor wall light that form no part of the claimed design.

1 Claim, 8 Drawing Sheets



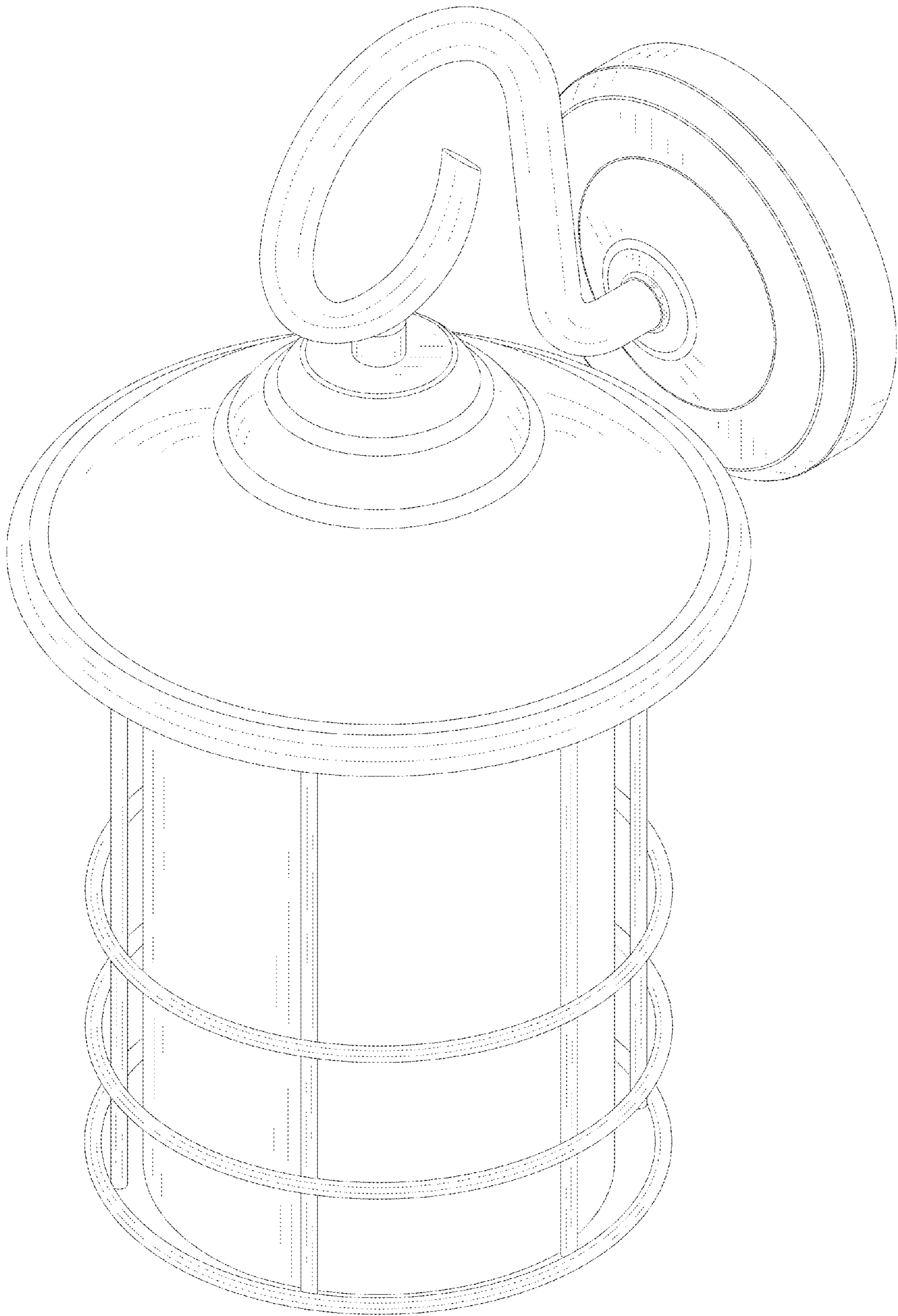


FIG.1

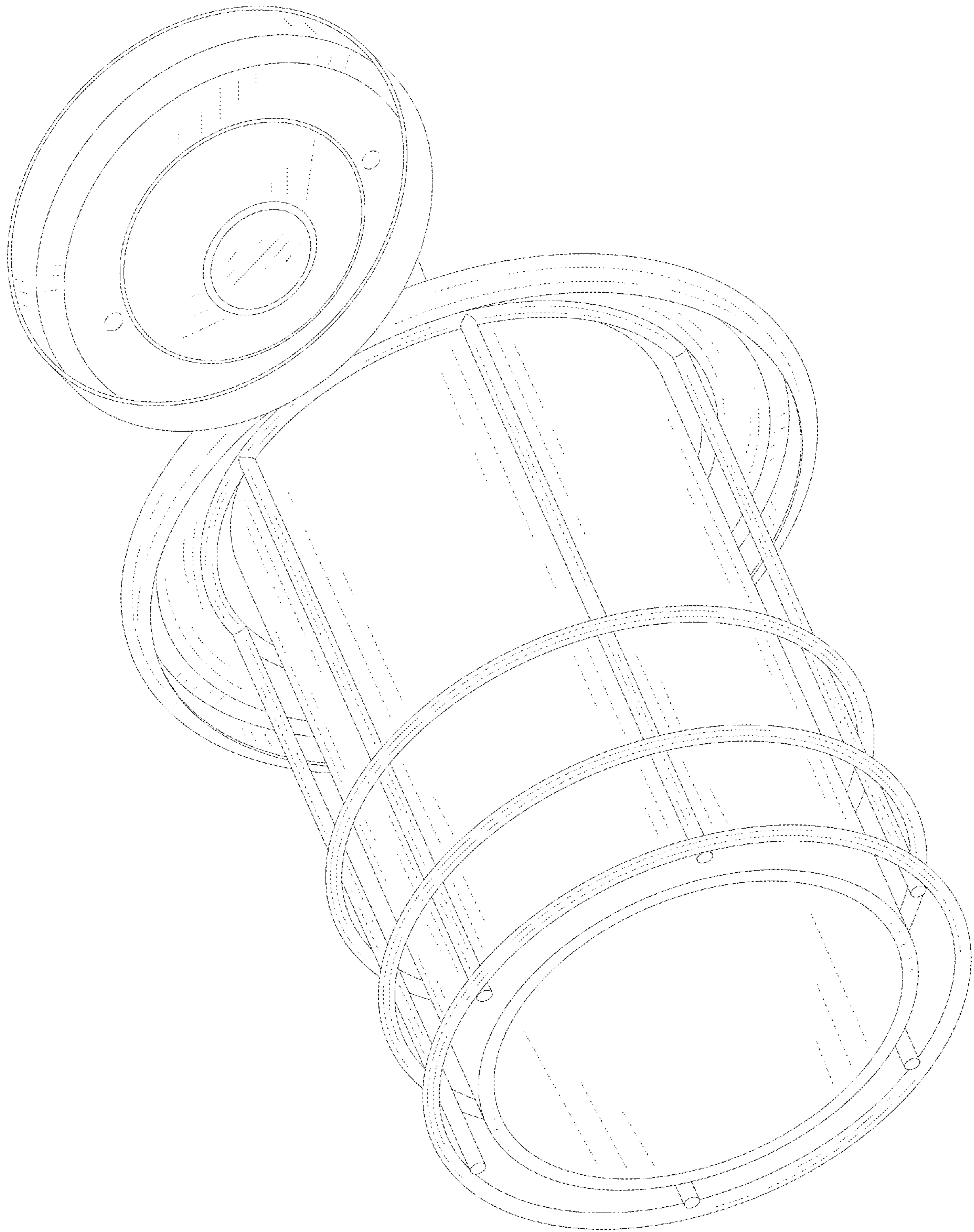


FIG.2

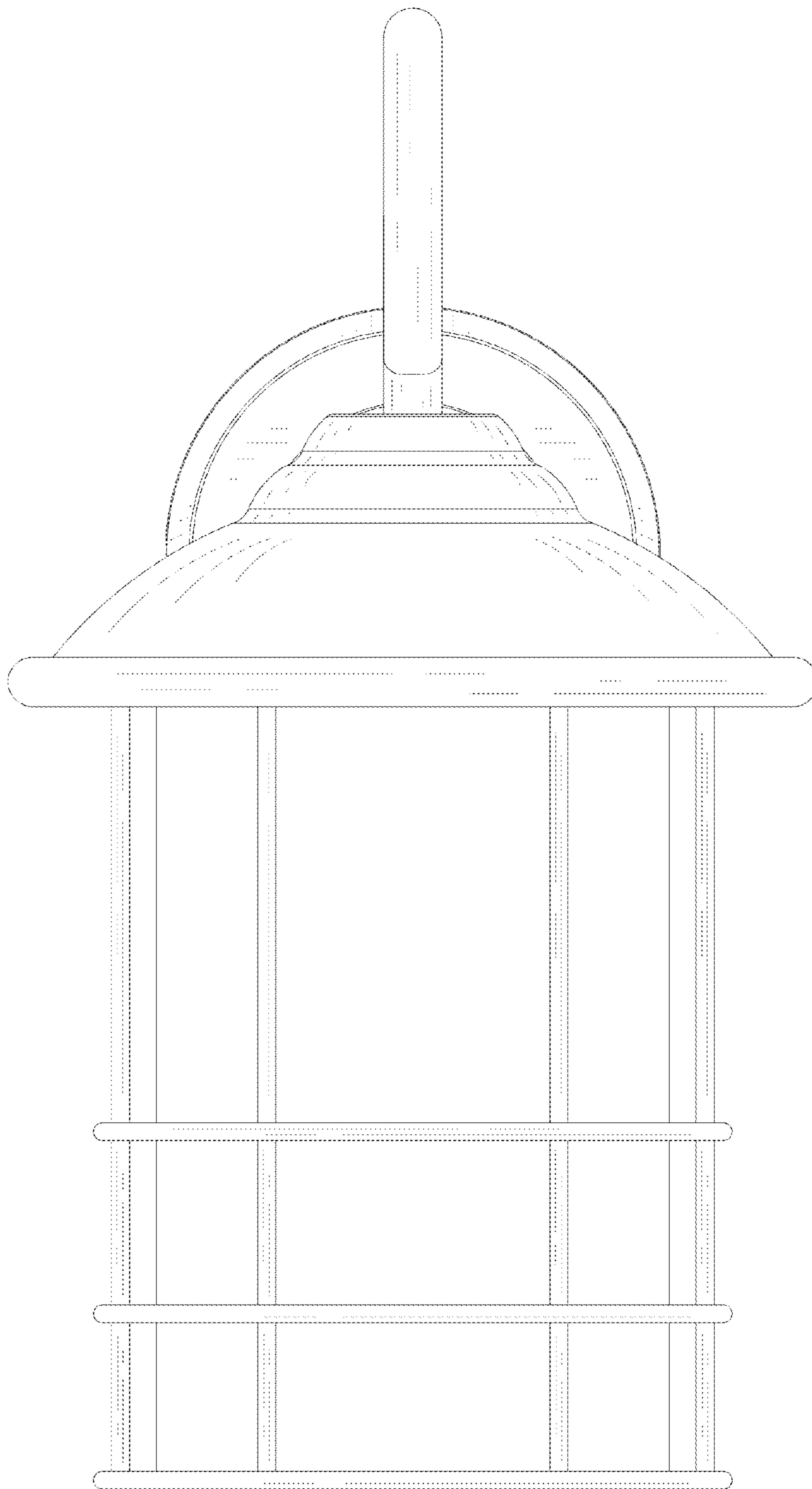


FIG. 3

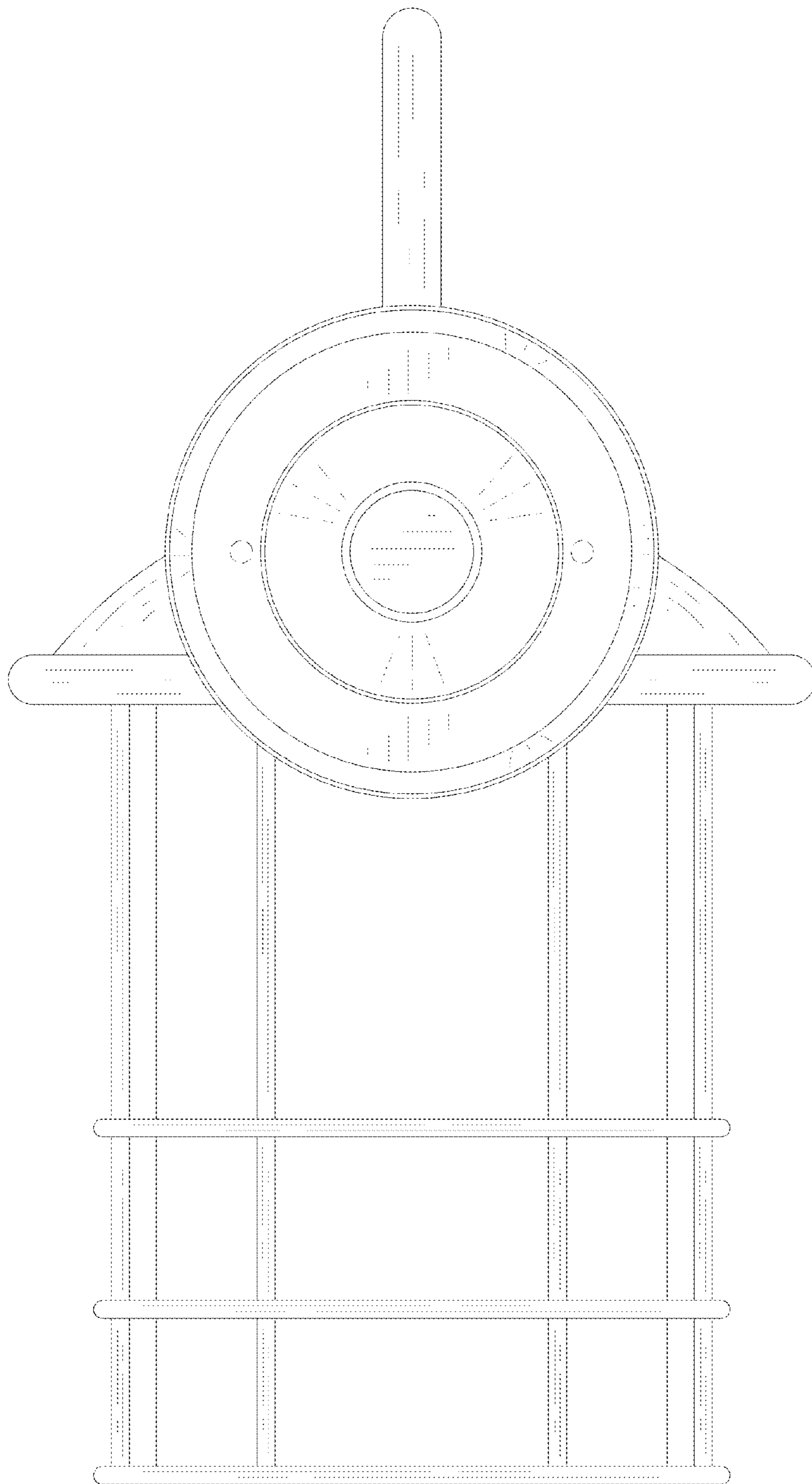


FIG. 4

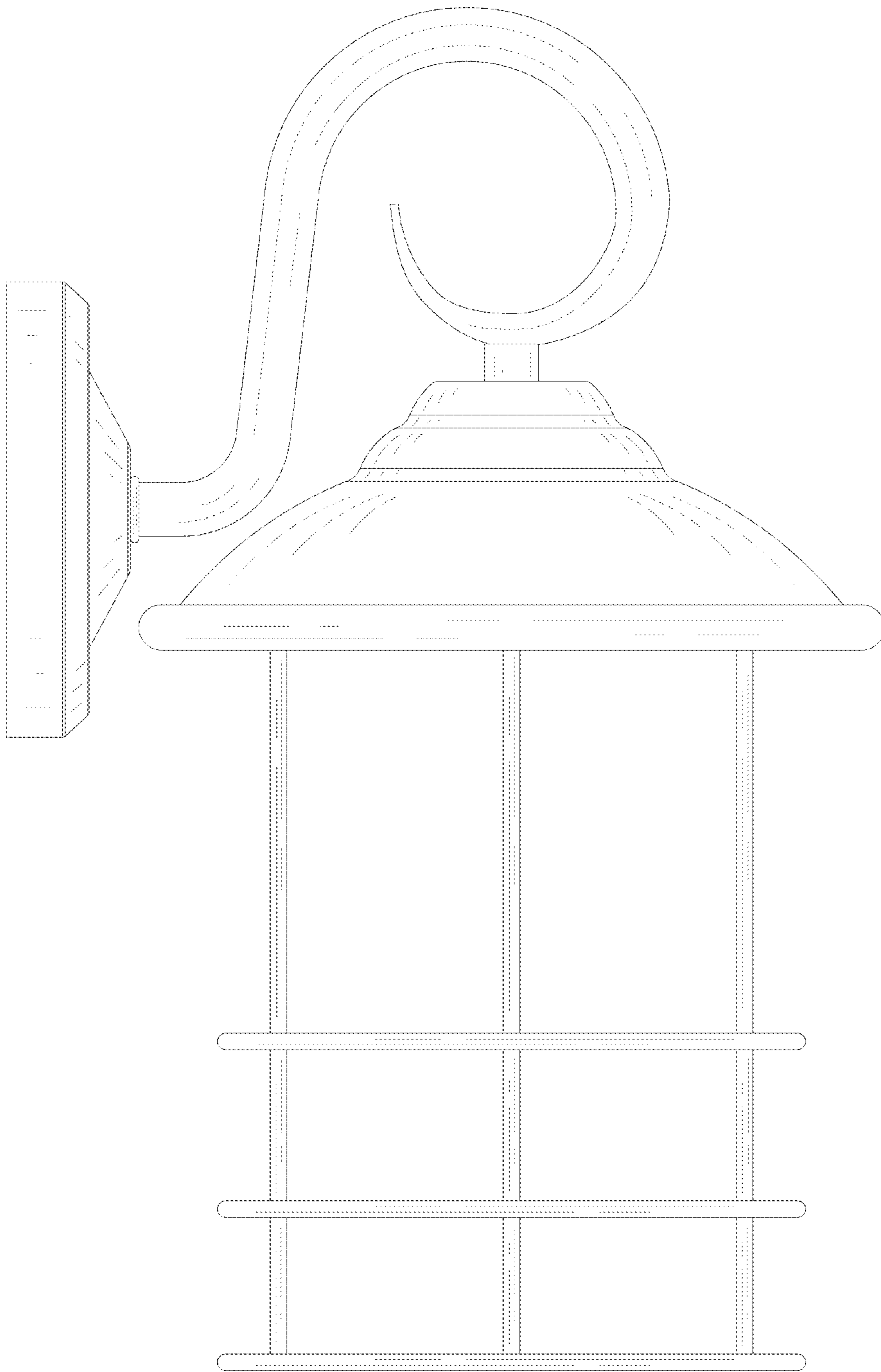


FIG. 5

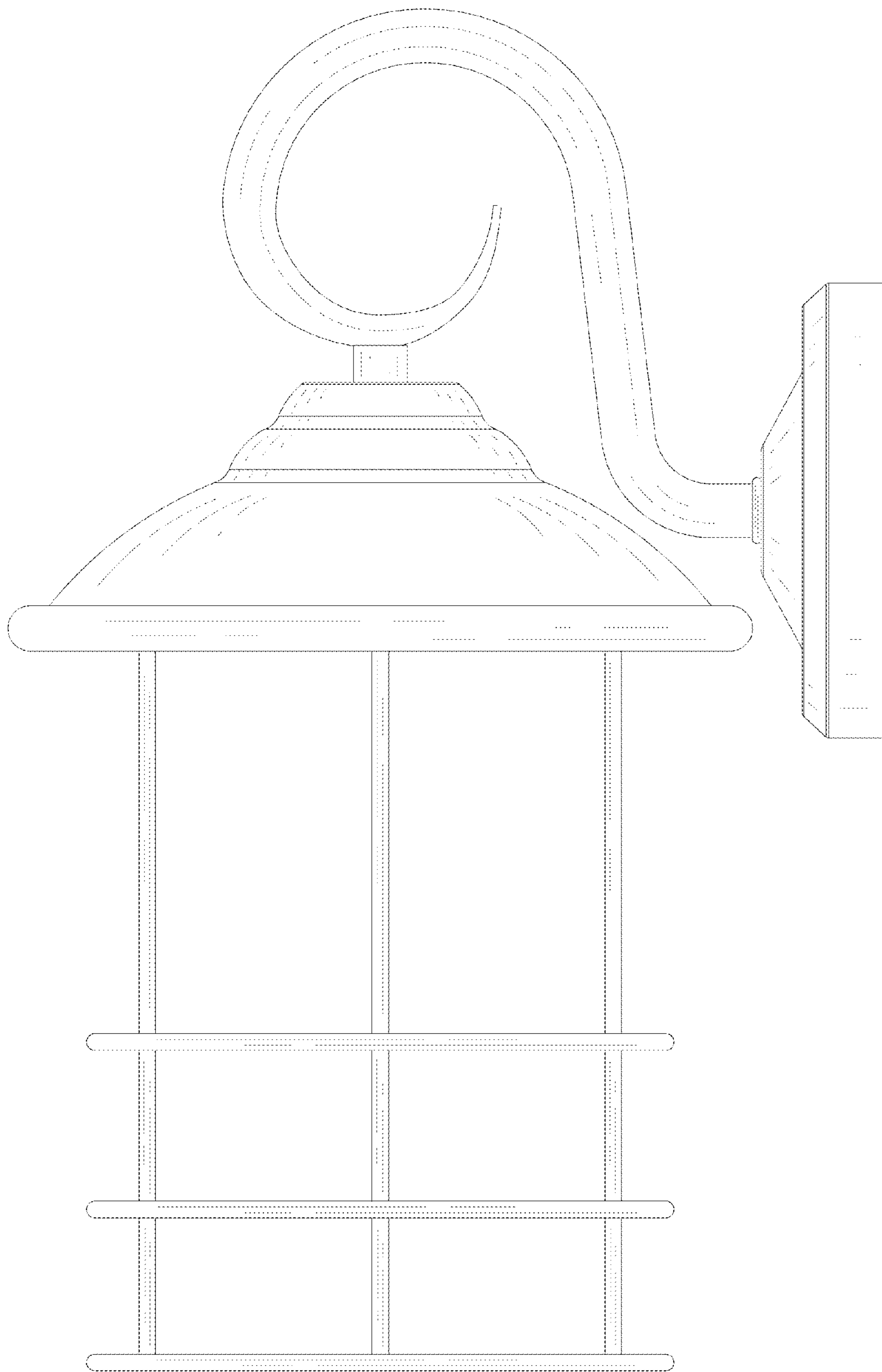


FIG. 6

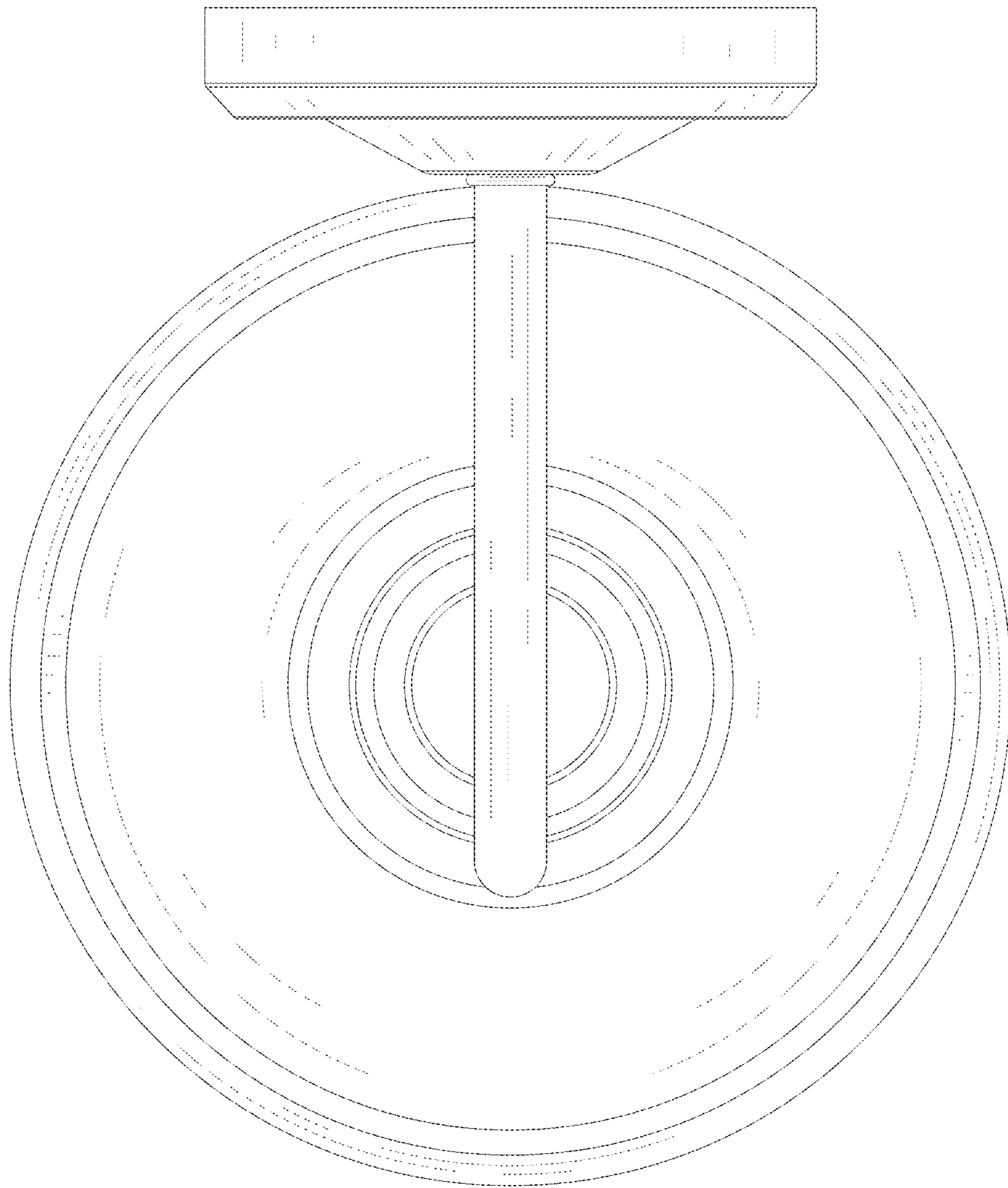


FIG. 7

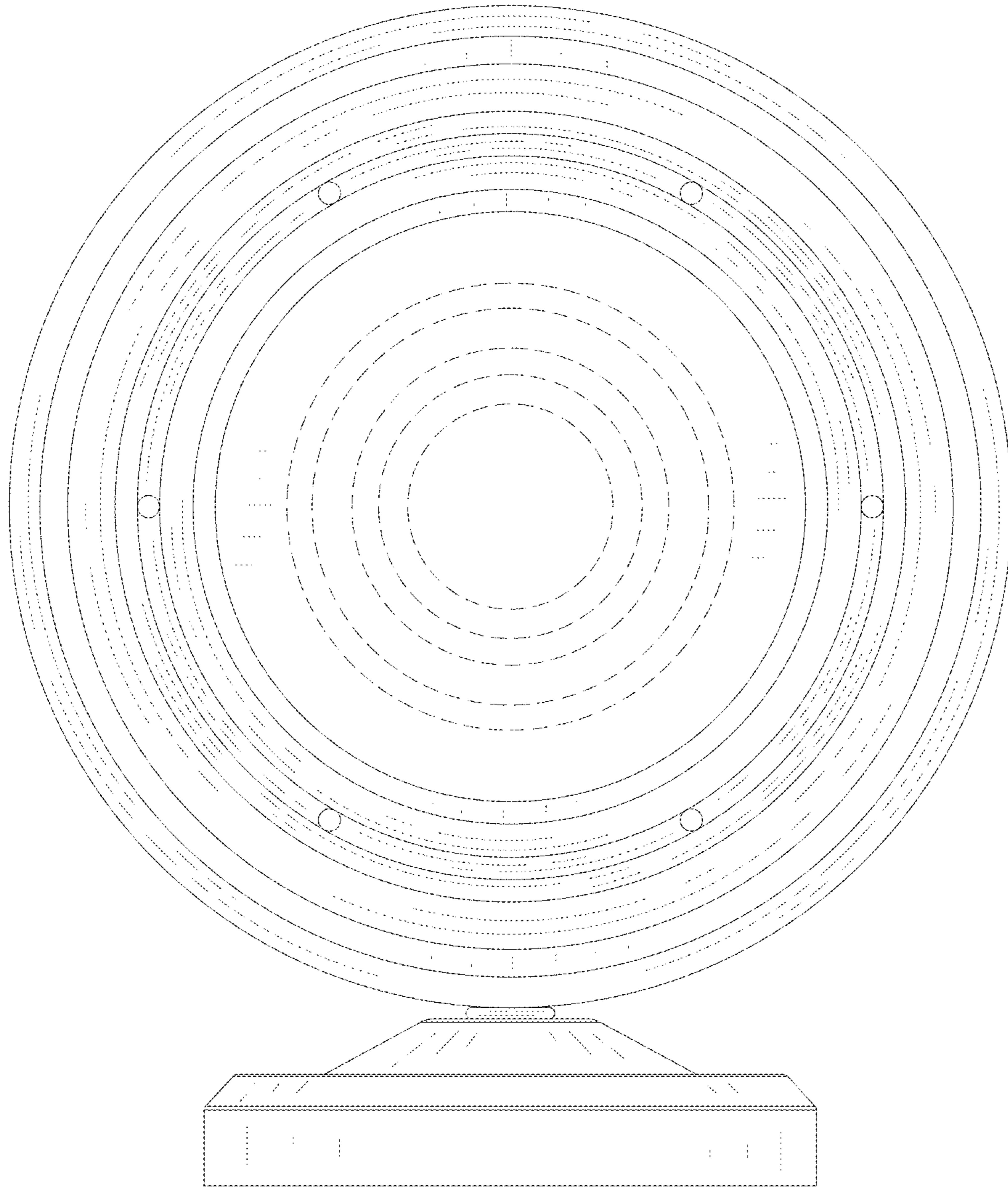


FIG. 8