



US00D983435S

(12) **United States Design Patent** (10) **Patent No.:** **US D983,435 S**  
**Amato et al.** (45) **Date of Patent:** **\*\* Apr. 11, 2023**

(54) **LIGHTING FIXTURE**

(71) Applicant: **The Urban Electric Company**, North Charleston, SC (US)

(72) Inventors: **Michael Amato**, London (GB); **David Dawson**, Charleston, SC (US); **Joeangel Casanova**, Brooklyn, NY (US); **Hope Johnson**, Folly Beach, SC (US); **Christopher Roof**, Charleston, SC (US); **Brianna Magagnoli**, North Charleston, SC (US); **Janis Golubeckis**, Mount Pleasant, SC (US)

(73) Assignee: **The Urban Electric Company**, North Charleston, SC (US)

(\*\*) Term: **15 Years**

(21) Appl. No.: **29/798,681**

(22) Filed: **Jul. 9, 2021**

(51) **LOC (14) Cl.** ..... **26-03**

(52) **U.S. Cl.**  
USPC ..... **D26/73; D26/80; D26/87**

(58) **Field of Classification Search**  
USPC ..... D26/67, 72, 73, 80, 85, 86, 87, 92  
CPC .... F21S 8/03; F21S 8/033; F21S 8/035; F21S 8/036; F21S 8/037; F21S 8/086  
See application file for complete search history.

(56) **References Cited**

**U.S. PATENT DOCUMENTS**

D84,104 S *	5/1931	Rithner	.....	D26/127
D174,657 S *	5/1955	Roberts	.....	D26/101
D174,658 S *	5/1955	Roberts	.....	D26/73
5,947,582 A *	9/1999	Huang	.....	A41G 1/005 362/122
D509,315 S *	9/2005	Weiser	.....	D26/101
D682,454 S *	5/2013	Glenn	.....	D26/68
D683,879 S *	6/2013	Desai	.....	D26/68

D683,880 S *	6/2013	Desai	.....	D26/68
D683,881 S *	6/2013	Desai	.....	D26/68
D855,867 S *	8/2019	Sonneman	.....	D26/87
D855,868 S *	8/2019	Sonneman	.....	D26/86
D855,869 S *	8/2019	Sonneman	.....	D26/86
2007/0048464 A1 *	3/2007	Haupt	.....	A41G 1/00 428/17

**OTHER PUBLICATIONS**

Currey & Company—2 Light Catrice Wall Sconce. SKU: 5000-0138 at lightsonline.com. Site visited Jan. 10, 2023. (Year: 2023).\*  
Meyda—One Light Tulip Wall Sconce, ASIN: B002AIR65C. Available from amazon.com May 19, 2009. (Year: 2009).\*

(Continued)

*Primary Examiner* — Clare E Heflin

(74) *Attorney, Agent, or Firm* — Haynsworth Sinkler Boyd, P.A.

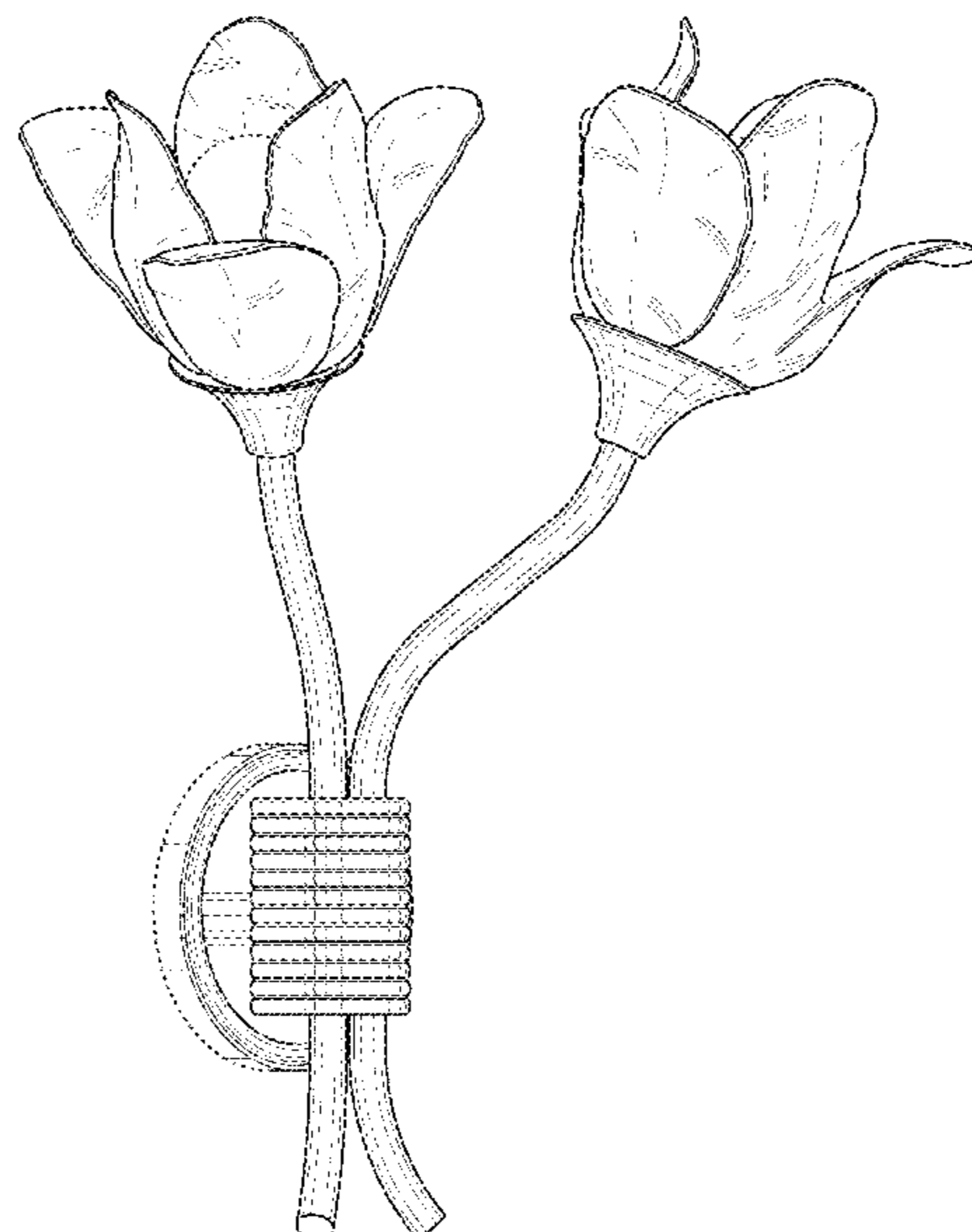
(57) **CLAIM**

The ornamental design for a lighting fixture, as shown and described.

**DESCRIPTION**

FIG. 1 is a front perspective view of a lighting fixture depicting a new design;  
FIG. 2 is a back perspective view thereof;  
FIG. 3 is a front elevational view thereof;  
FIG. 4 is a back elevational view thereof;  
FIG. 5 is a right elevational view thereof;  
FIG. 6 is a left elevational view thereof;  
FIG. 7 is a top plan view thereof; and,  
FIG. 8 is a bottom plan view thereof.  
The broken lines extending from the lighting fixture in FIGS. 5 through 8 represent environment which forms no part of the claimed design. The remaining broken line disclosures in the views represent portions of the lighting fixture that form no part of the claimed designs.

**1 Claim, 8 Drawing Sheets**



(56)

**References Cited**

OTHER PUBLICATIONS

Elk Home—Hand-Blown Tulip Wall Sconce, ASIN: B0044G4V6K. Available from amazon.com Sep. 4, 2007. (Year: 2007).\*

Swedish Designer, Organic Two Armed Wall Light, Manufactured circa 1945. Reference No. 1stDibs: LU3228127074692. Available at 1stdibs.com. Site visited Jan. 10, 2023. (Year: 1945).\*

\* cited by examiner

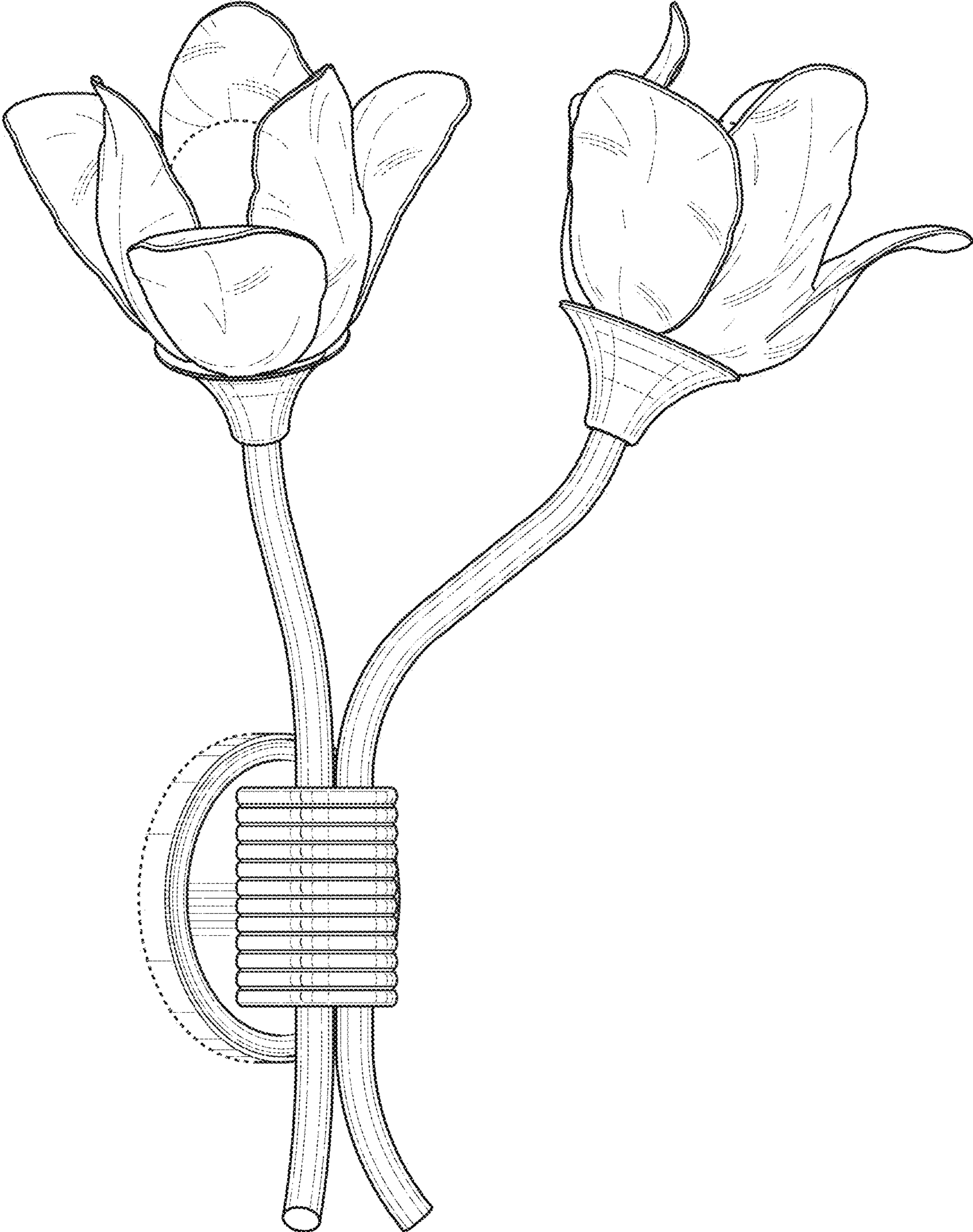


FIG. 1

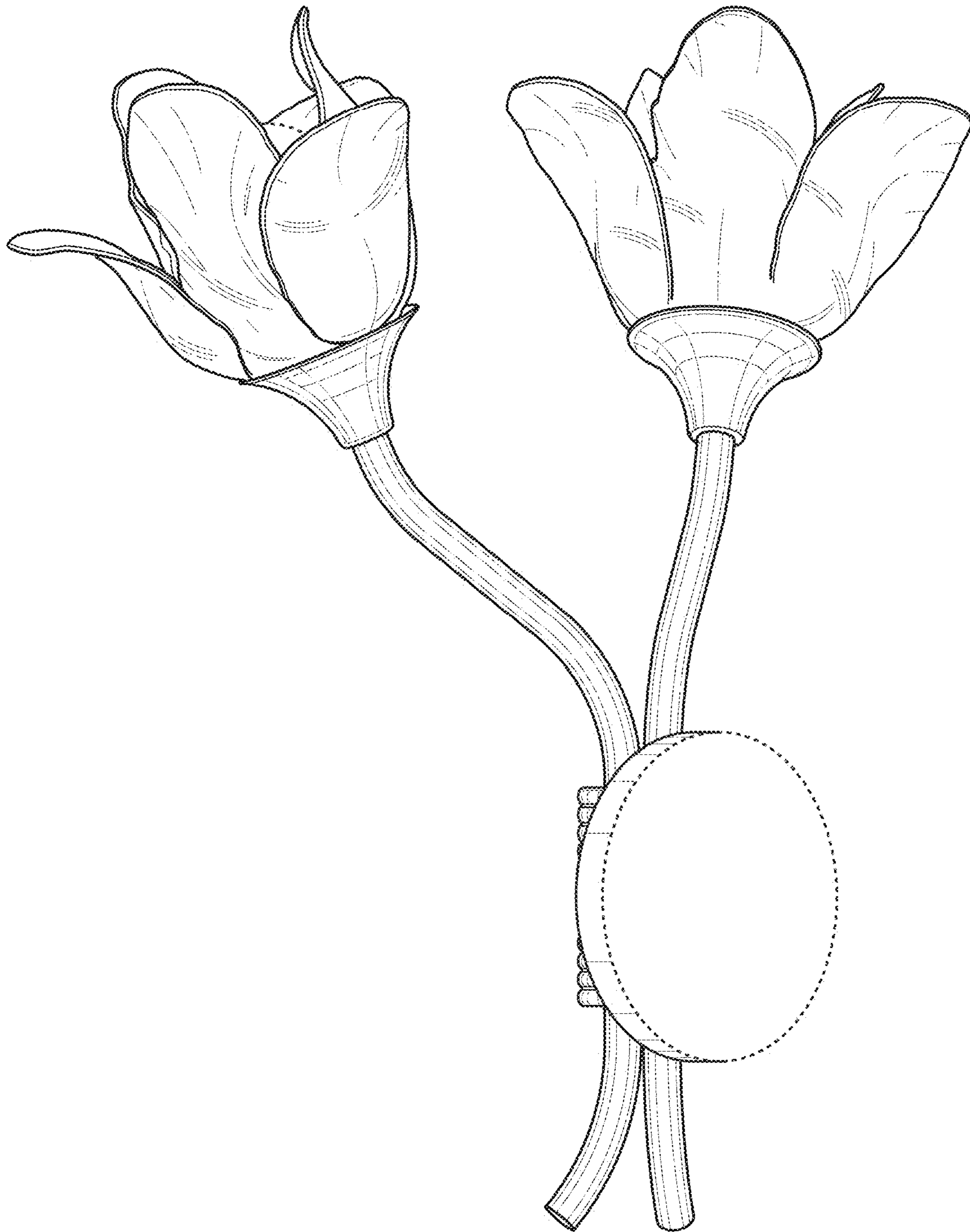


FIG. 2

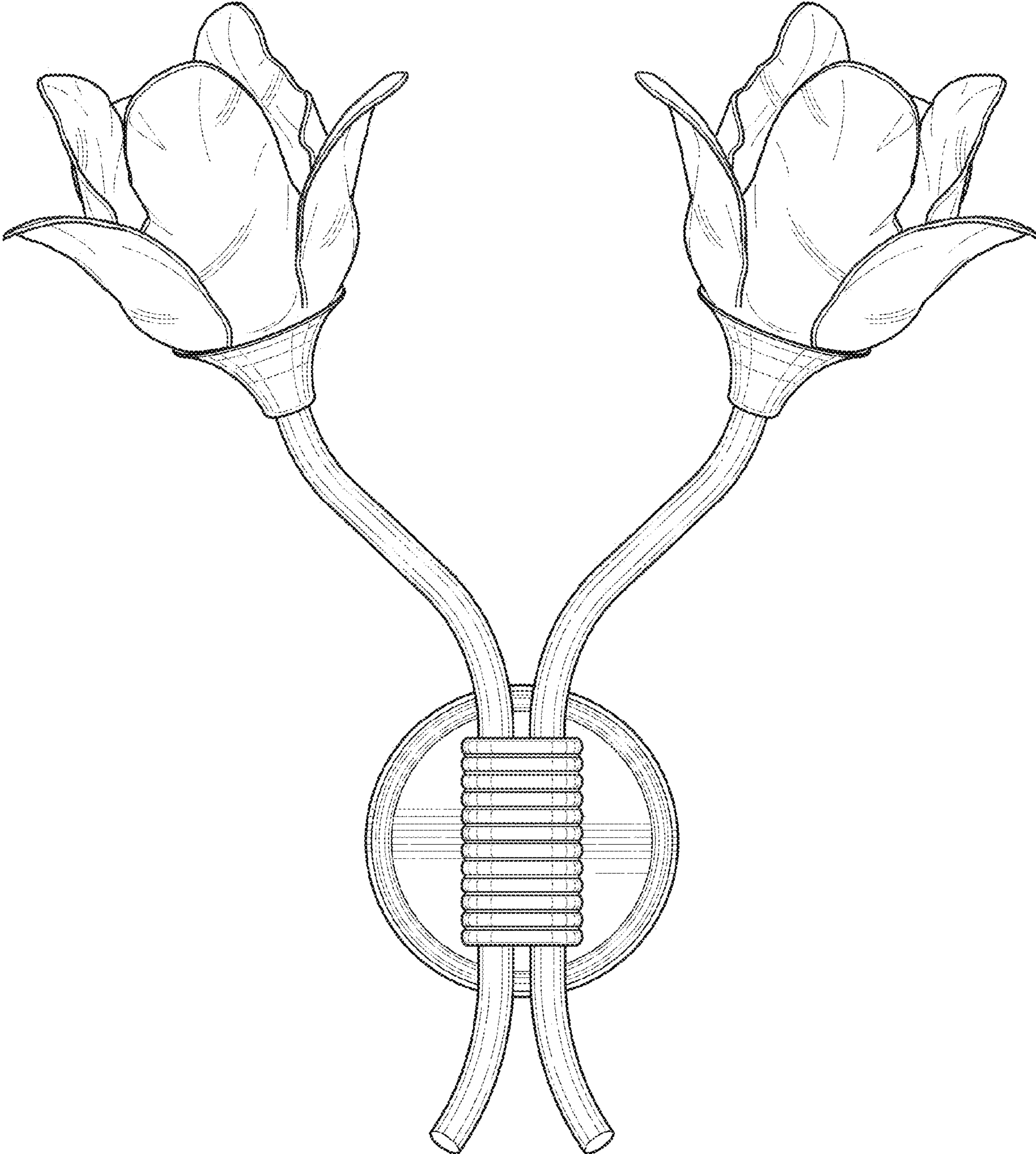


FIG. 3

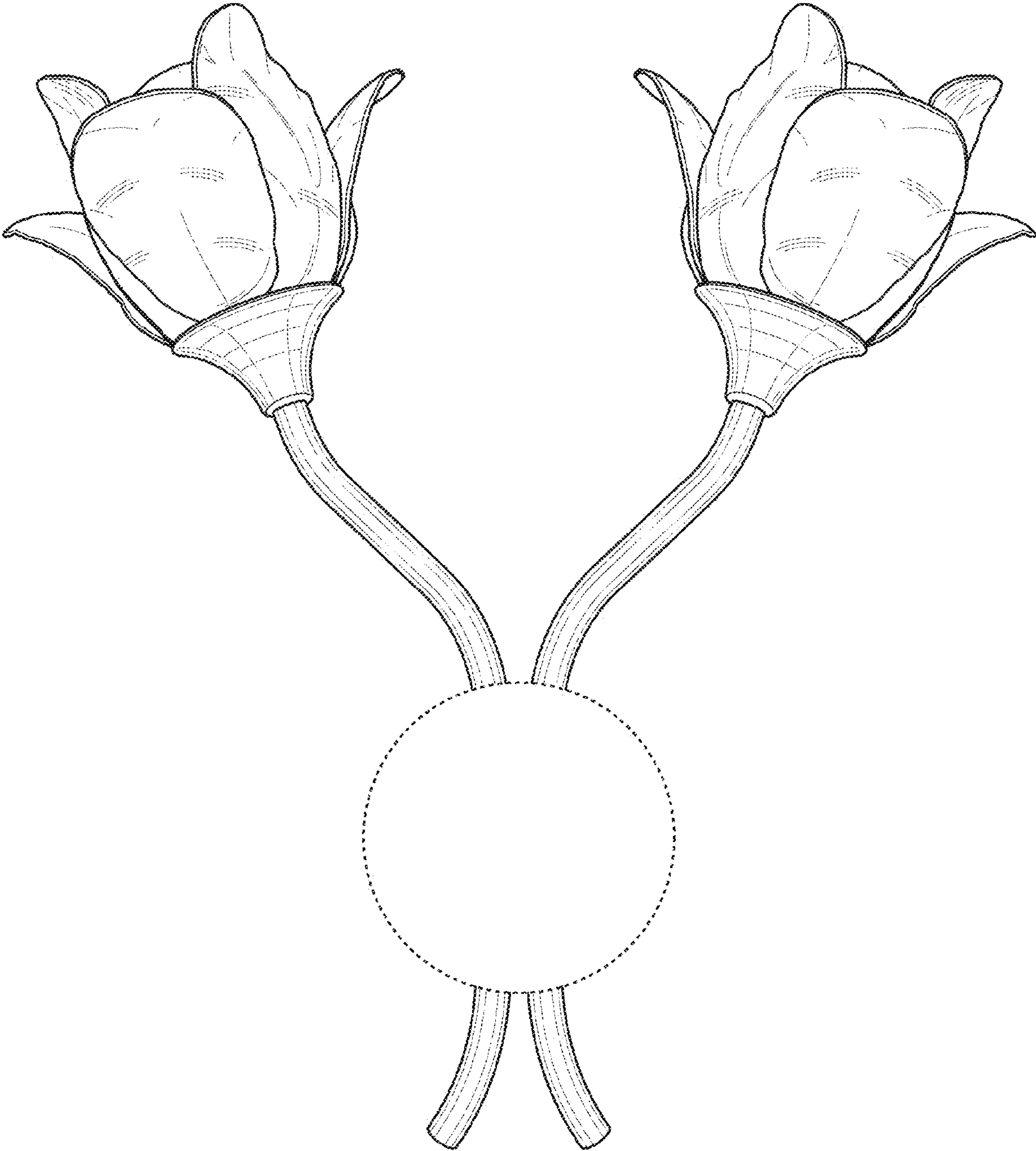


FIG. 4

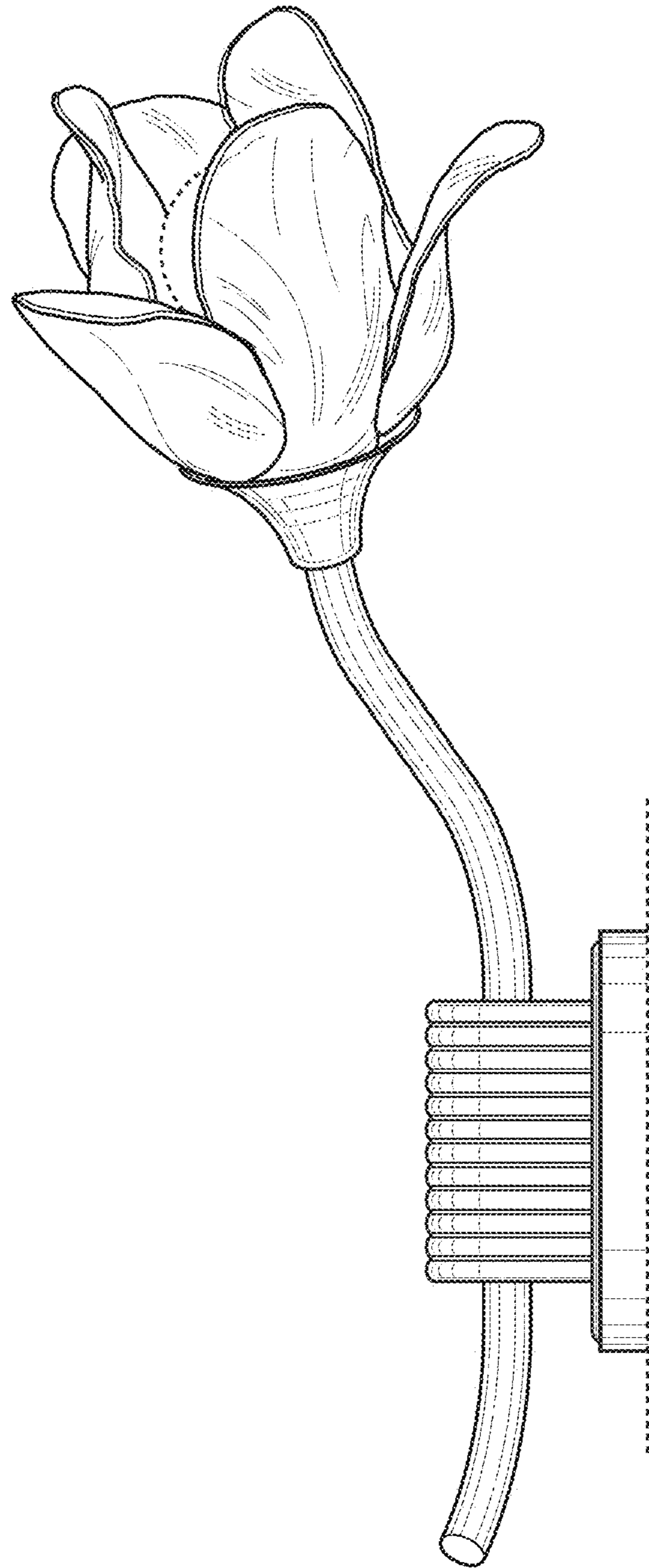


FIG. 5

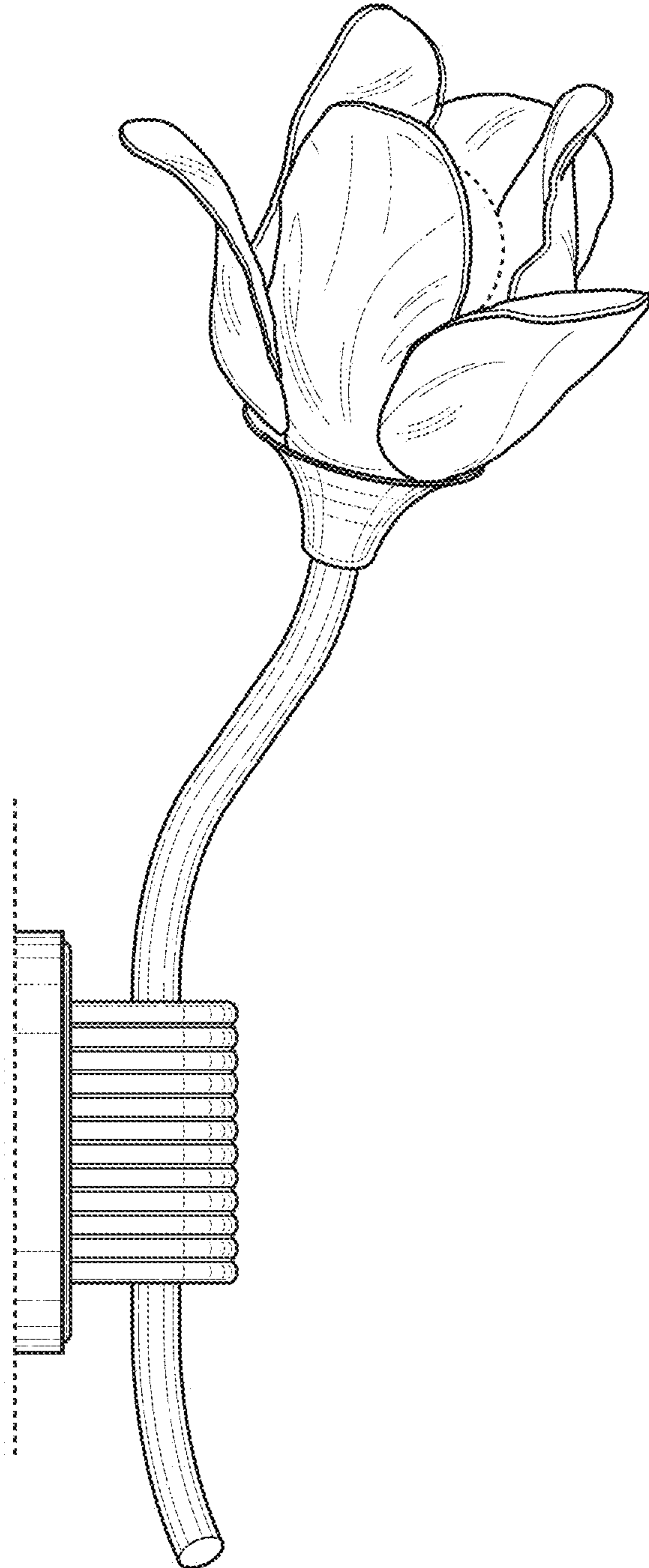


FIG. 6



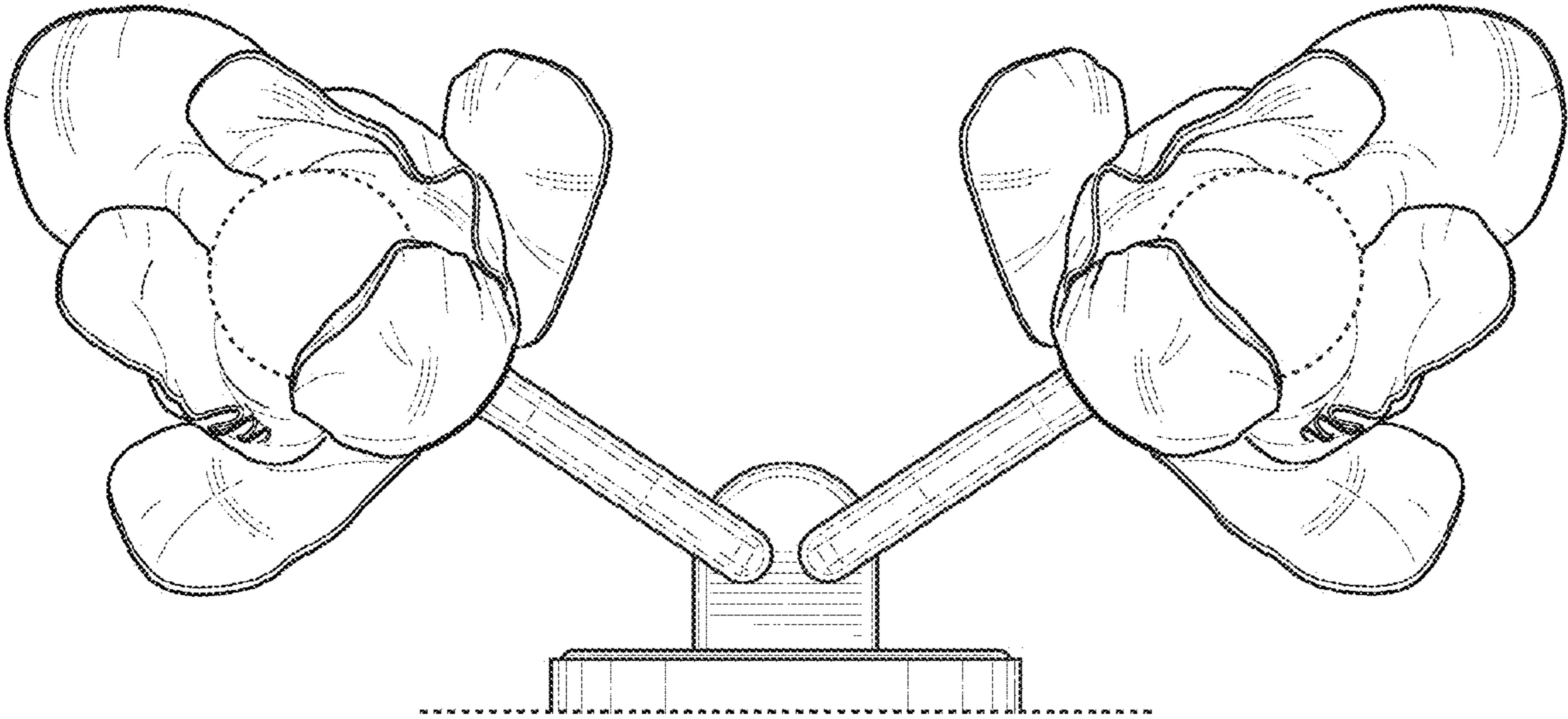


FIG. 7

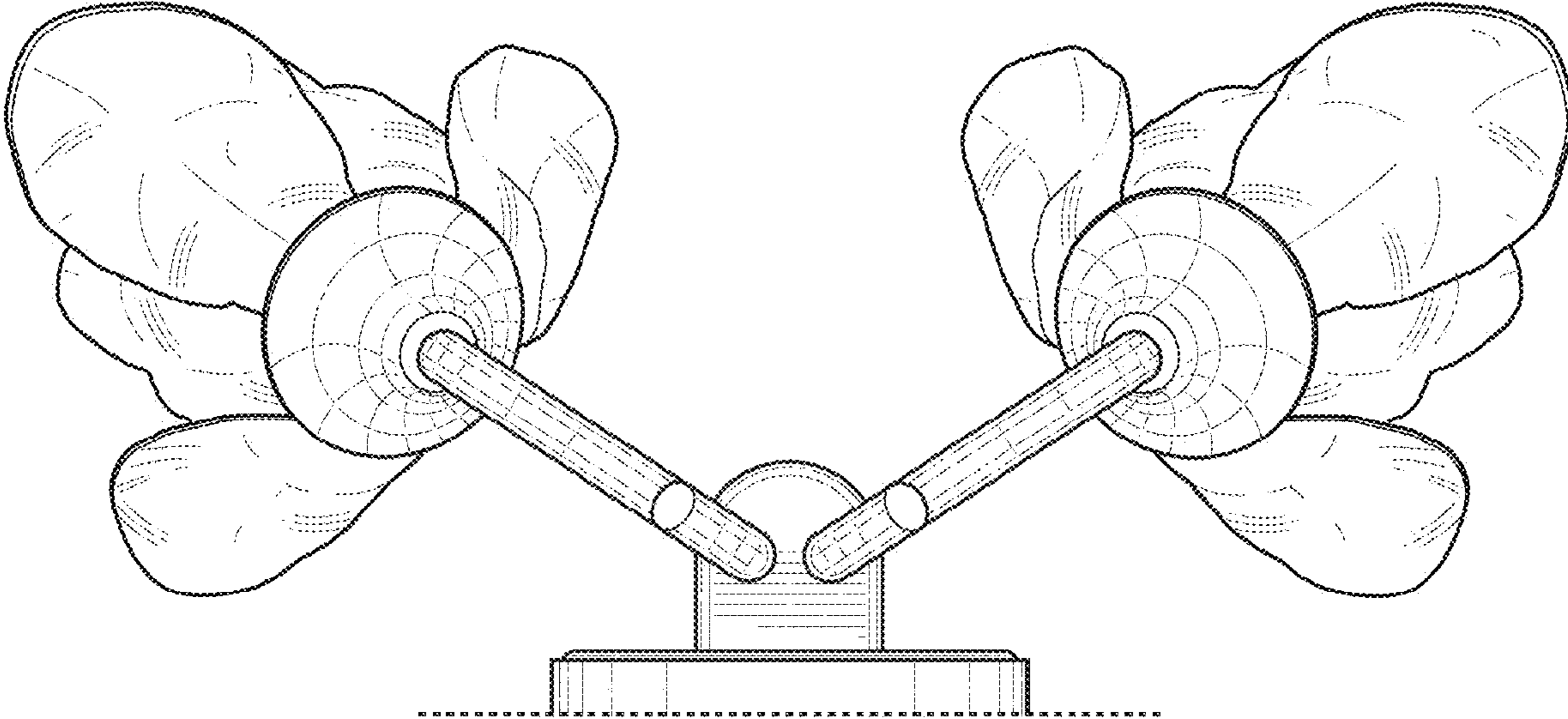


FIG. 8