



US00D983434S

(12) **United States Design Patent**
Zhang

(10) **Patent No.:** **US D983,434 S**

(45) **Date of Patent:** **** Apr. 11, 2023**

(54) **SOLAR LAMP**

(71) Applicant: **eNet Innotech (Guangzhou) Limited,**
GuangZhou (CN)

(72) Inventor: **Hao Zhang,** GuangZhou (CN)

(73) Assignee: **ENET INNOTECH (GUANGZHOU)**
LIMITED, Guangzhou (CN)

(**) Term: **15 Years**

(21) Appl. No.: **29/822,935**

(22) Filed: **Jan. 13, 2022**

(30) **Foreign Application Priority Data**

Dec. 27, 2021 (CN) 202130860400.0

(51) **LOC (14) Cl.** **26-05**

(52) **U.S. Cl.**
USPC **D26/72; D26/67; D26/63**

(58) **Field of Classification Search**
USPC D26/63, 67-70, 85, 87, 72, 113, 118
CPC F21S 8/00; F21S 8/03; F21S 8/033; F21S
8/036; F21S 9/03; F21S 9/037; F21W
2111/027; F21W 2131/107; F21W
2131/109

See application file for complete search history.

(56) **References Cited**

U.S. PATENT DOCUMENTS

D759,859 S * 6/2016 Ng D26/28
D806,298 S * 12/2017 Recker D26/63
D823,516 S * 7/2018 Xiao D26/65
D839,472 S * 1/2019 Hu D26/118
D852,398 S * 6/2019 Liu D26/63
D857,270 S * 8/2019 Recker D26/63

(Continued)

FOREIGN PATENT DOCUMENTS

CN 305737031 S 4/2020
CN 306582528 S 6/2021
CN 306952062 S 11/2021

OTHER PUBLICATIONS

Vpazg, Solar Outdoor Light. First available May 17, 2022. Searched on Jan. 6, 2023. [https://www.amazon.com/Outdoor-Wireless-Security-Waterproof-Backyard/dp/B0B1GTBFR2/] (Year: 2022).*

Primary Examiner — W. A. Teddy Falloway

Assistant Examiner — Melissa Adriane Santos

(74) *Attorney, Agent, or Firm* — Andrew C. Cheng

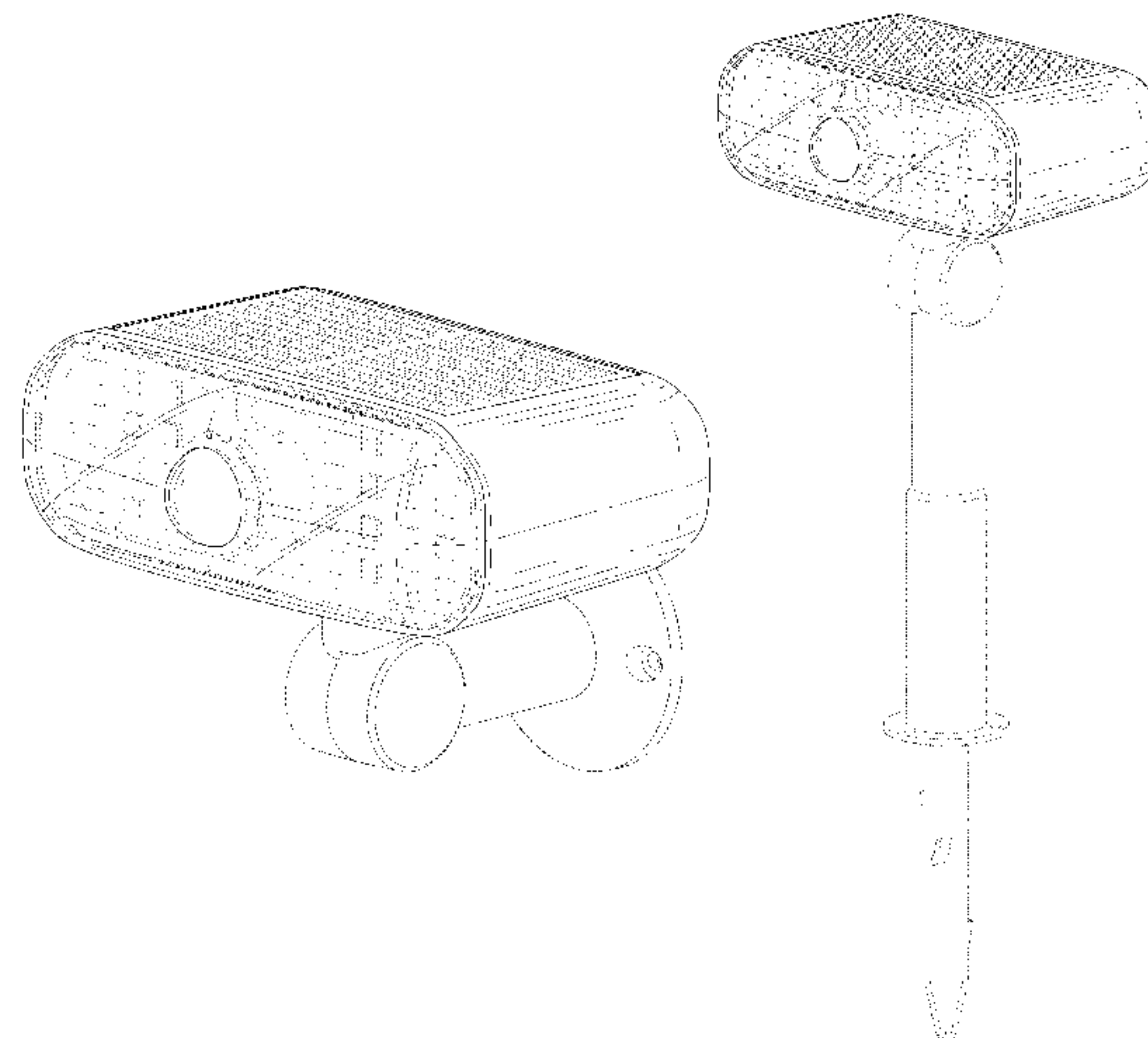
(57) **CLAIM**

The ornamental design for a solar lamp, as shown and described.

DESCRIPTION

FIG. 1 is a perspective view of a first embodiment of a solar lamp showing my new design;
FIG. 2 is another perspective view thereof;
FIG. 3 is a front view thereof.
FIG. 4 is a back view thereof.
FIG. 5 is a left view thereof.
FIG. 6 is a right view thereof.
FIG. 7 is a top view thereof.
FIG. 8 is a bottom view thereof.
FIG. 9 is a perspective view of a first embodiment, shown in an alternate state;
FIG. 10 is a perspective view of a second embodiment of a solar lamp;
FIG. 11 is a another perspective view thereof;
FIG. 12 is a front view thereof.
FIG. 13 is a back view thereof.
FIG. 14 is a left view thereof.
FIG. 15 is a right view thereof.
FIG. 16 is a top view thereof; and,
FIG. 17 is a bottom view thereof.
The broken lines in the drawings illustrate portions of the solar lamp that form no part of the claimed design.

1 Claim, 17 Drawing Sheets



(56)

References Cited

U.S. PATENT DOCUMENTS

D914,261	S *	3/2021	Ouyang	D26/65
D914,947	S *	3/2021	Zheng	D26/63
D915,652	S *	4/2021	Li	D26/63
D921,261	S *	6/2021	Qiu	D26/67
D925,084	S *	7/2021	Chen	D26/63
D930,210	S *	9/2021	McManigal	D26/63
D932,082	S *	9/2021	Zhang	D26/72
D934,478	S *	10/2021	Hu	D26/63
D934,479	S *	10/2021	Liu	D26/63
D945,670	S *	3/2022	Wu	D26/63
D950,126	S *	4/2022	Zhong	D26/63
D956,304	S *	6/2022	Liu	D26/65
D963,225	S *	9/2022	Zhuo	D26/63
D965,191	S *	9/2022	Hu	D26/65
D968,002	S *	10/2022	Liu	D26/63
D970,769	S *	11/2022	Wu	D26/63
D974,631	S *	1/2023	Zhao	D26/63
2014/0198208	A1 *	7/2014	Neufeld	G06F 3/005
					348/143
2014/0347754	A1 *	11/2014	Lee	G02B 7/04
					359/825

* cited by examiner

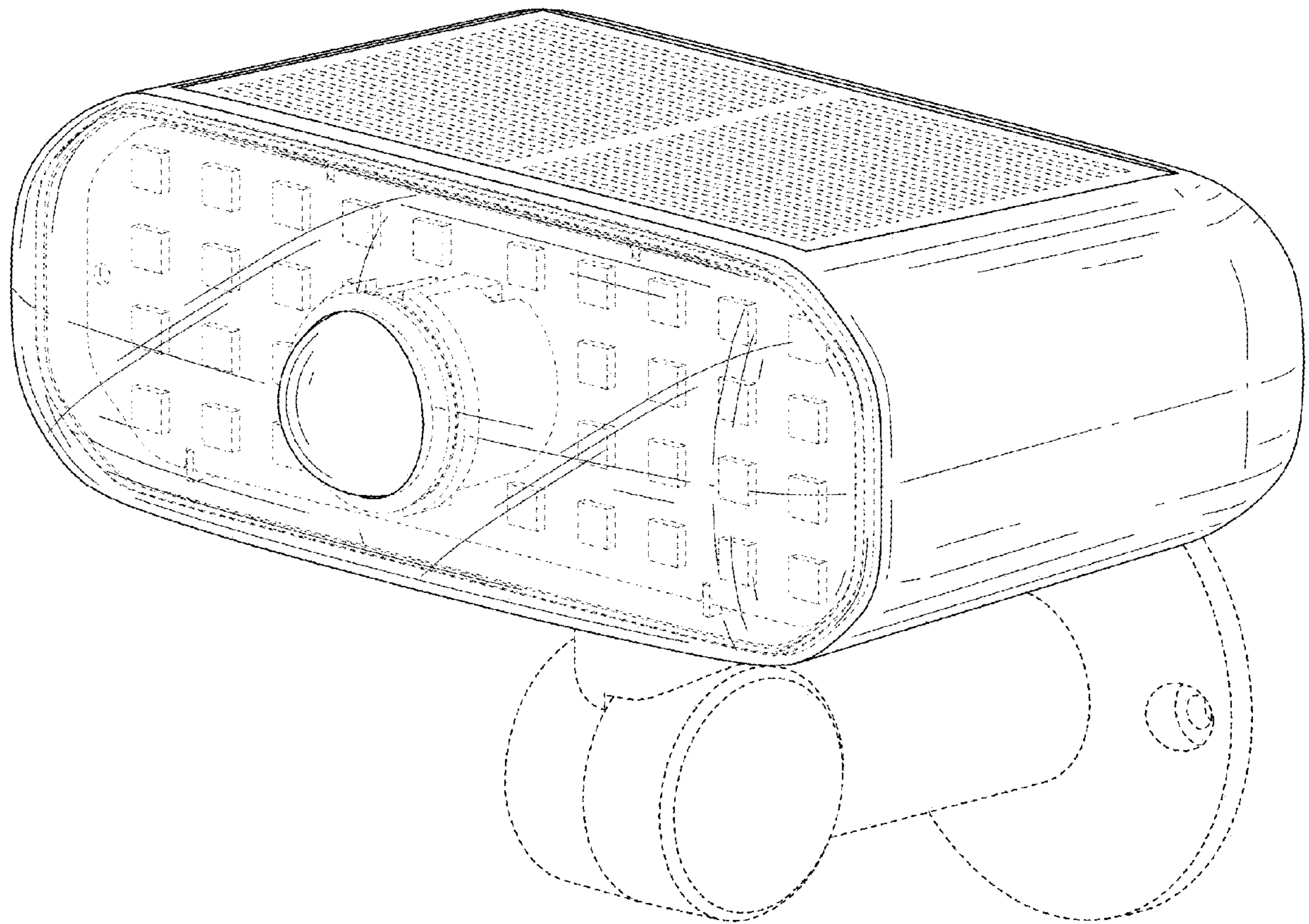


FIG.1

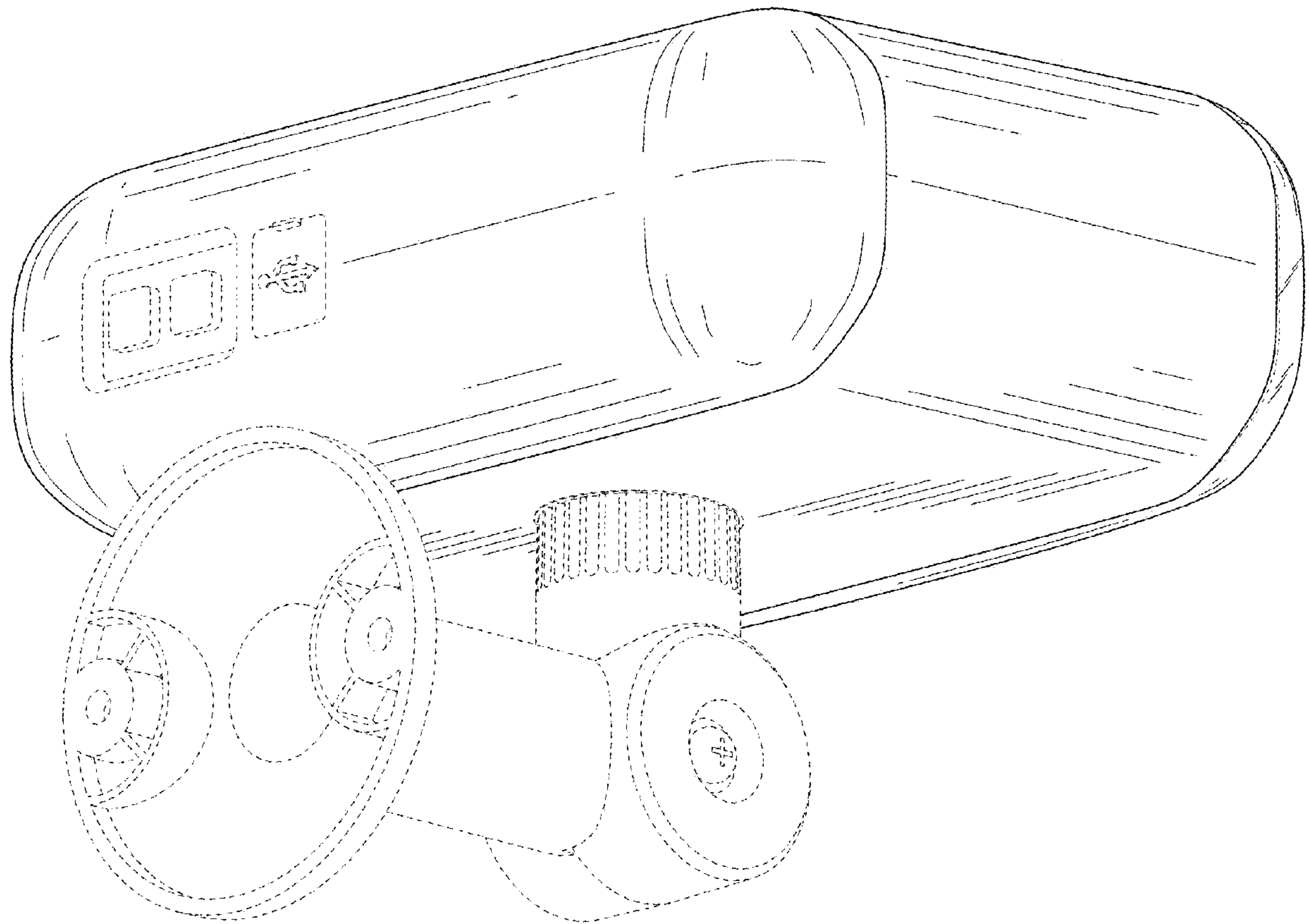


FIG.2

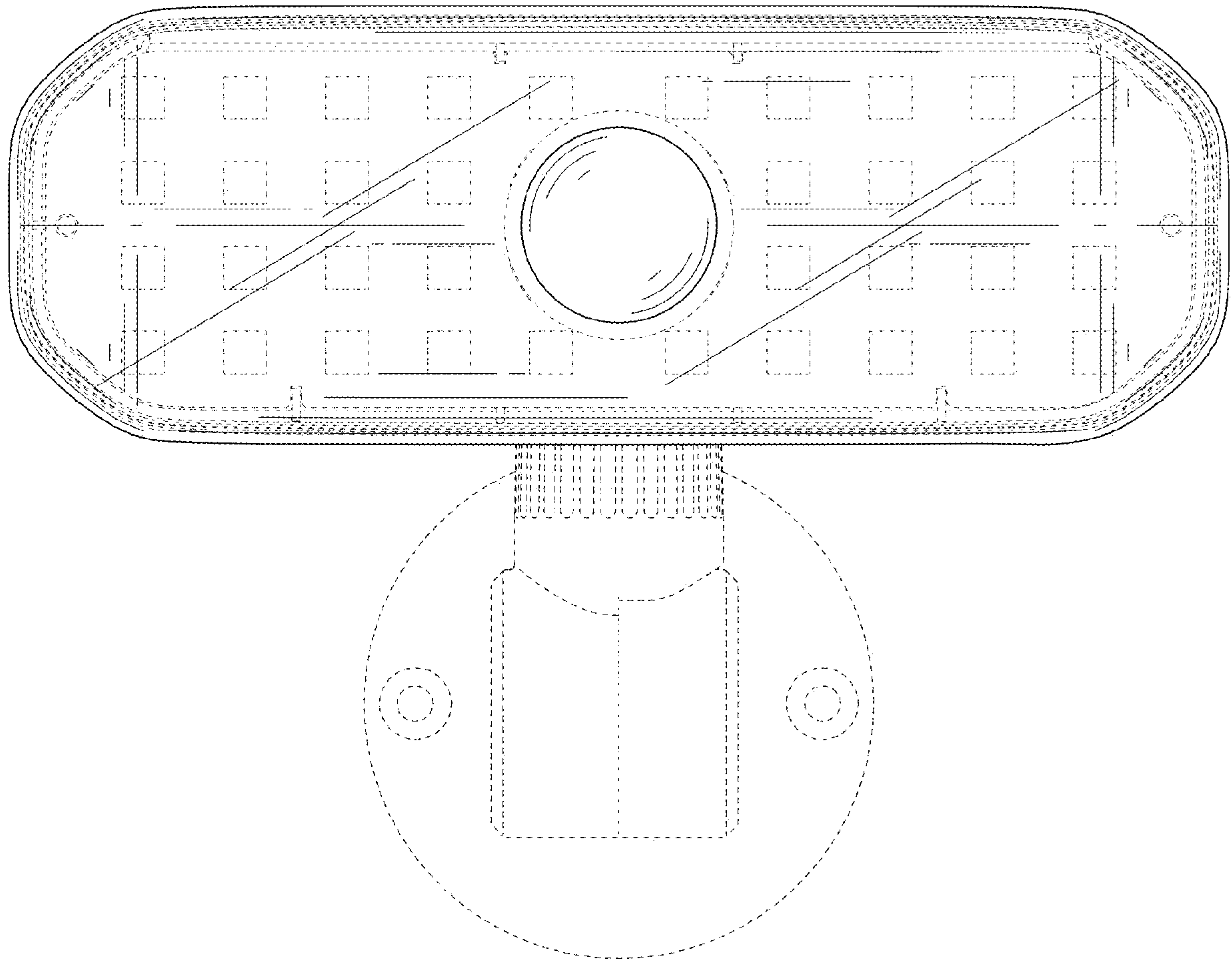


FIG.3

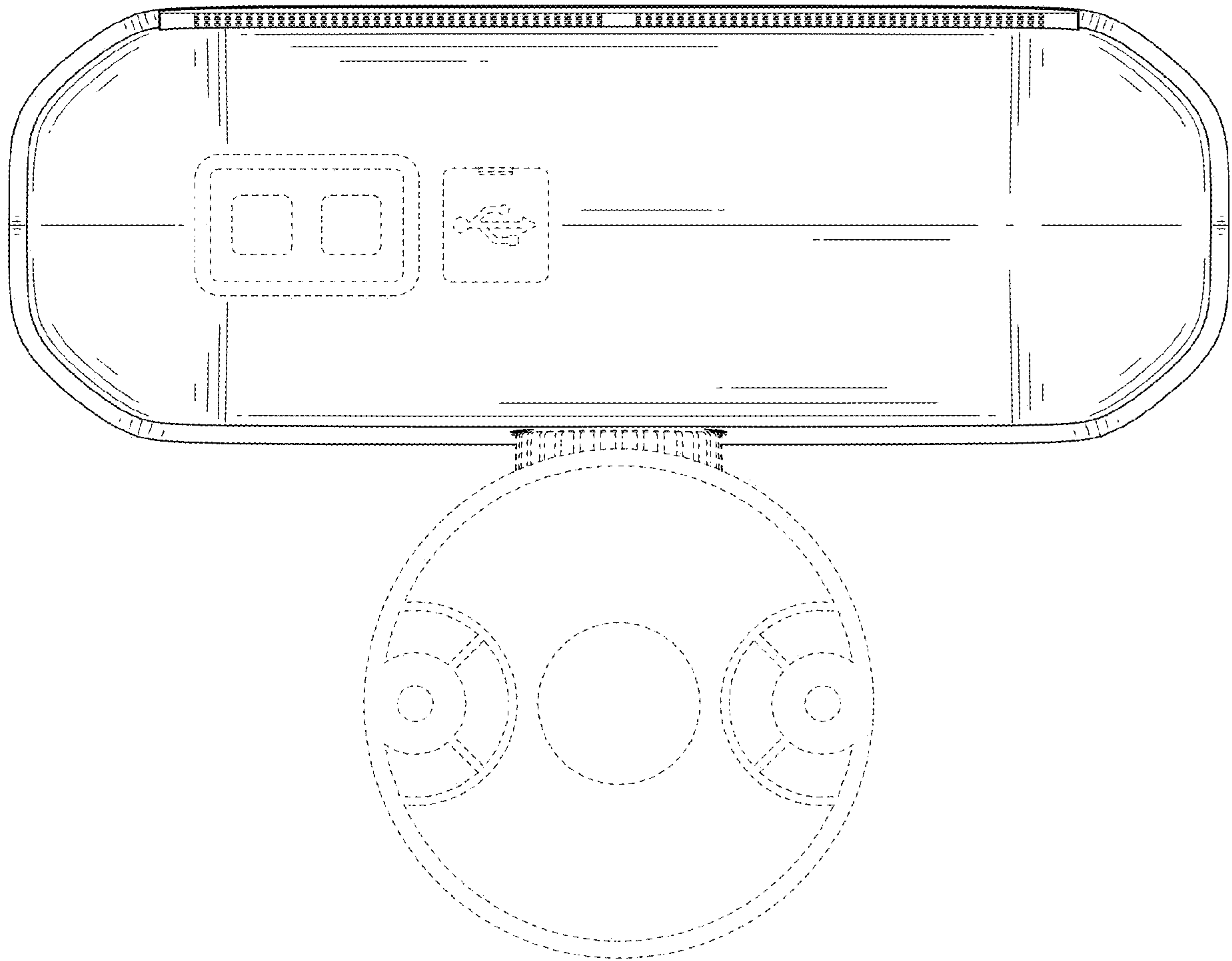


FIG.4

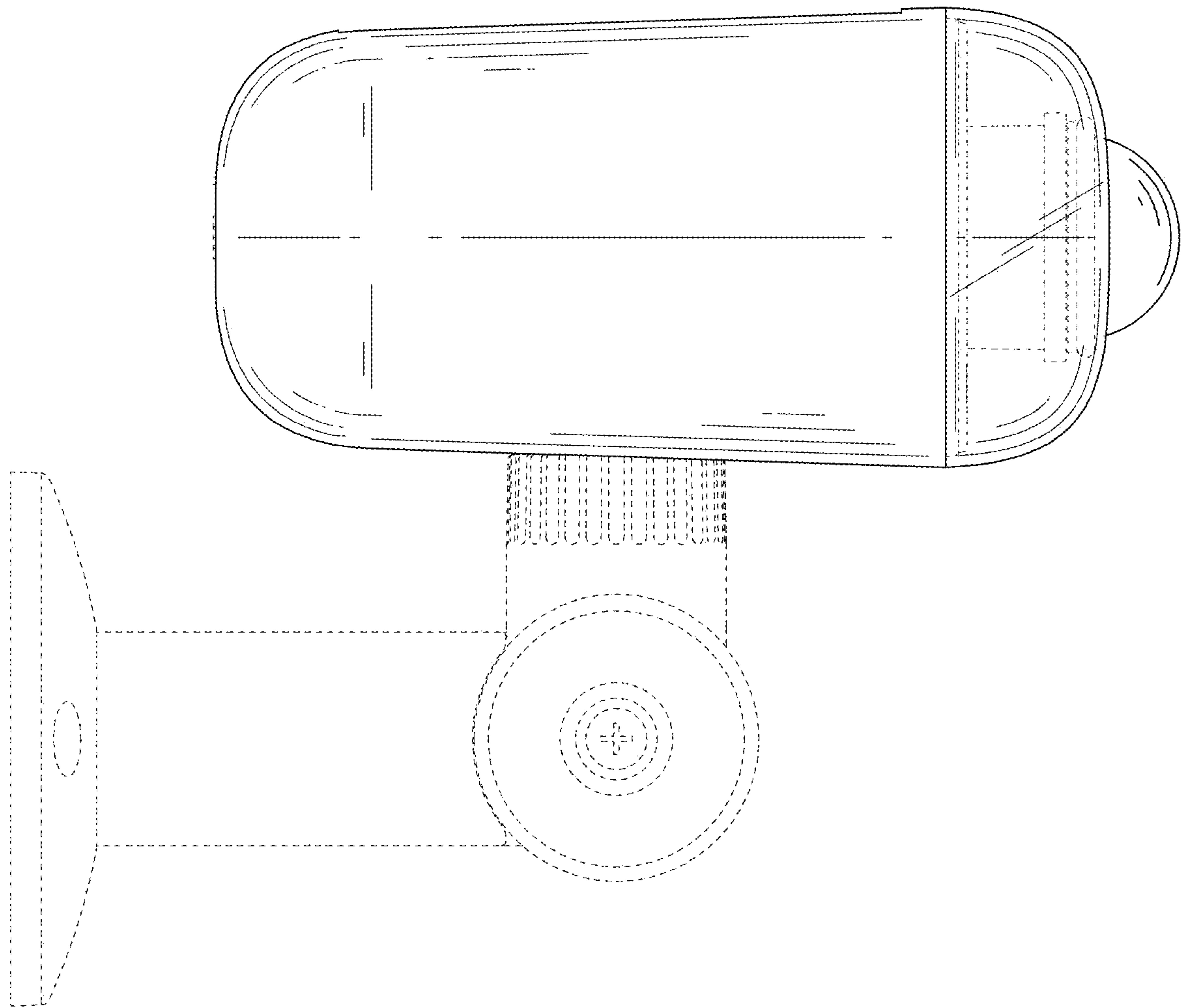


FIG.5

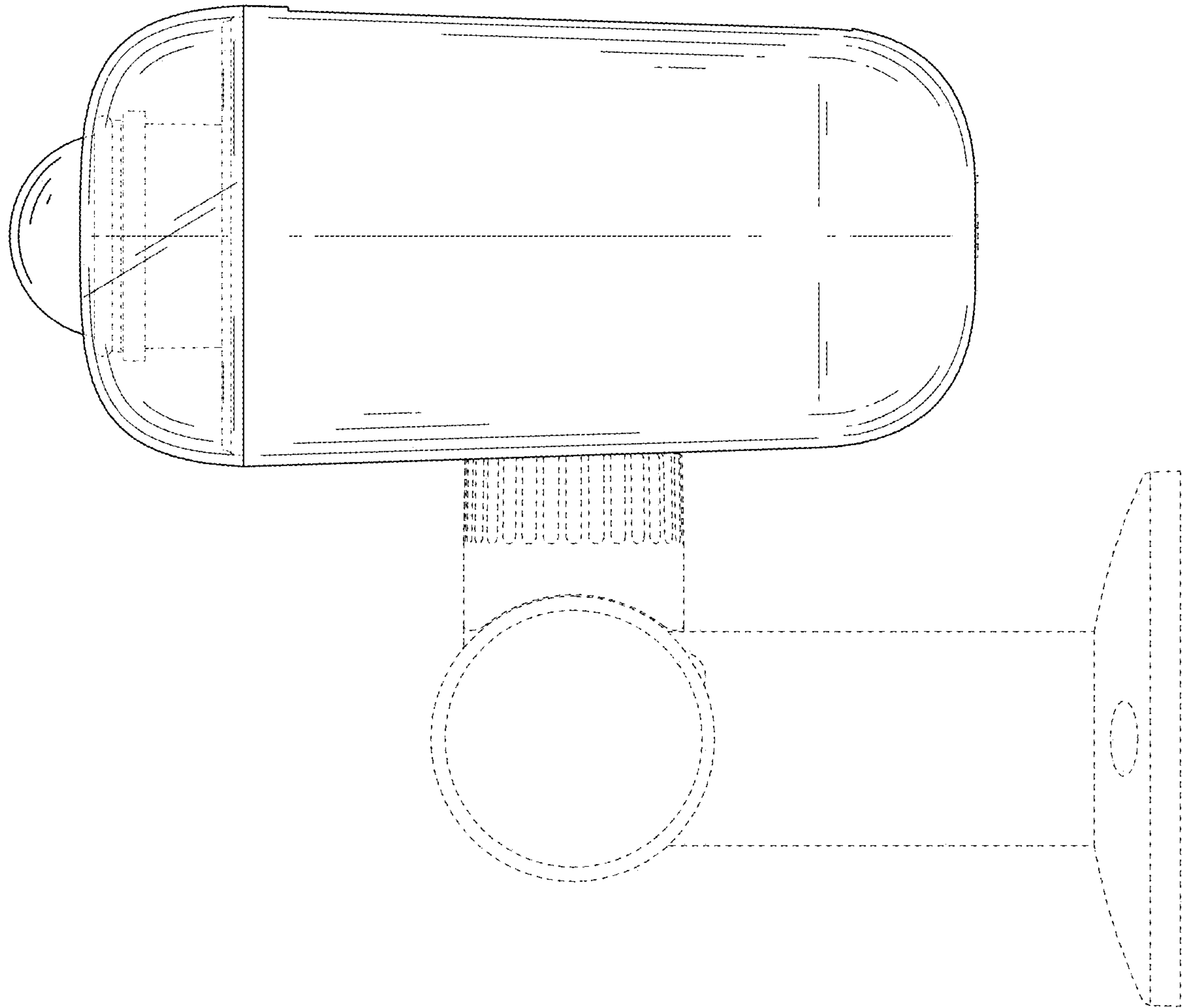


FIG.6

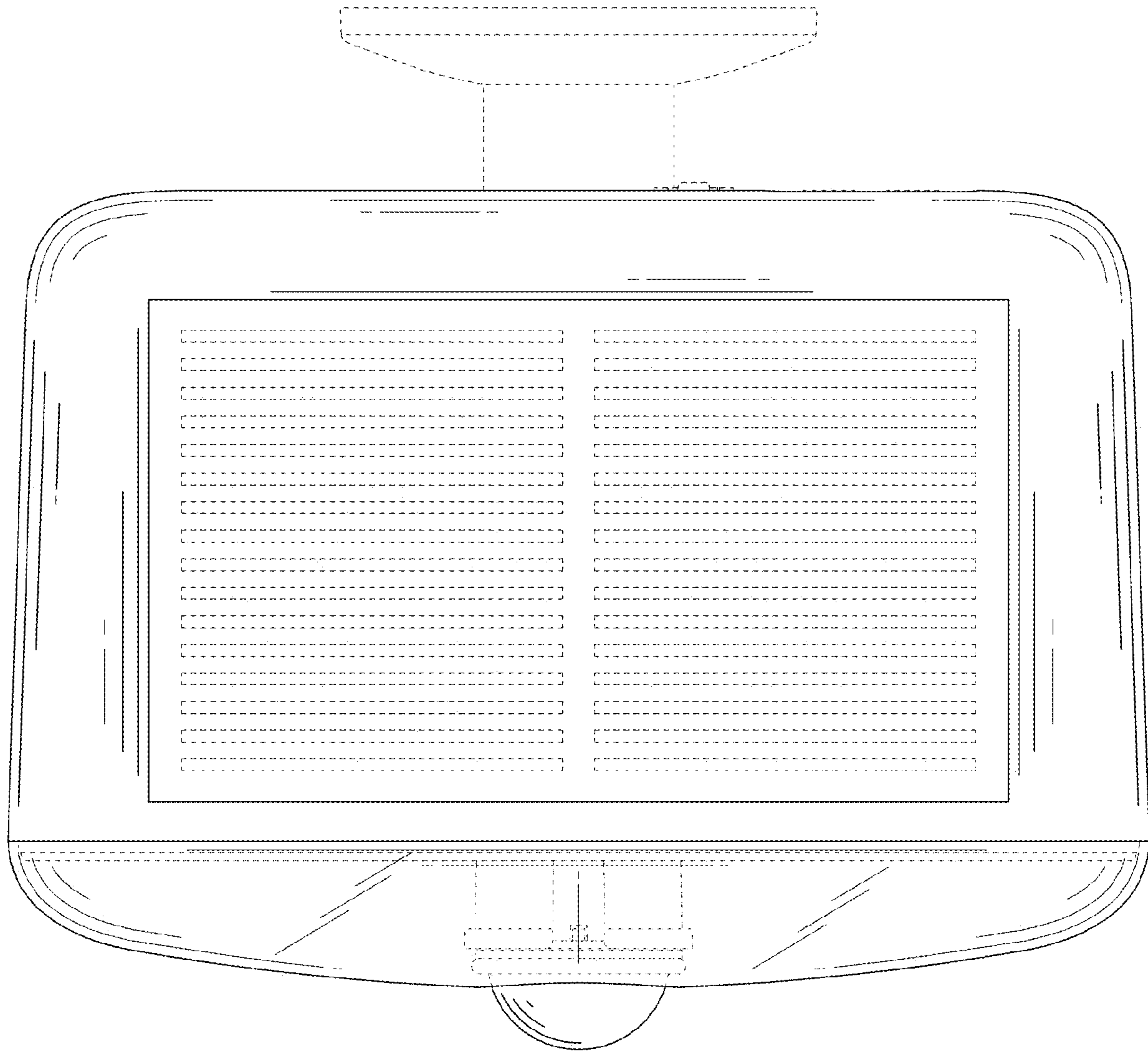


FIG. 7

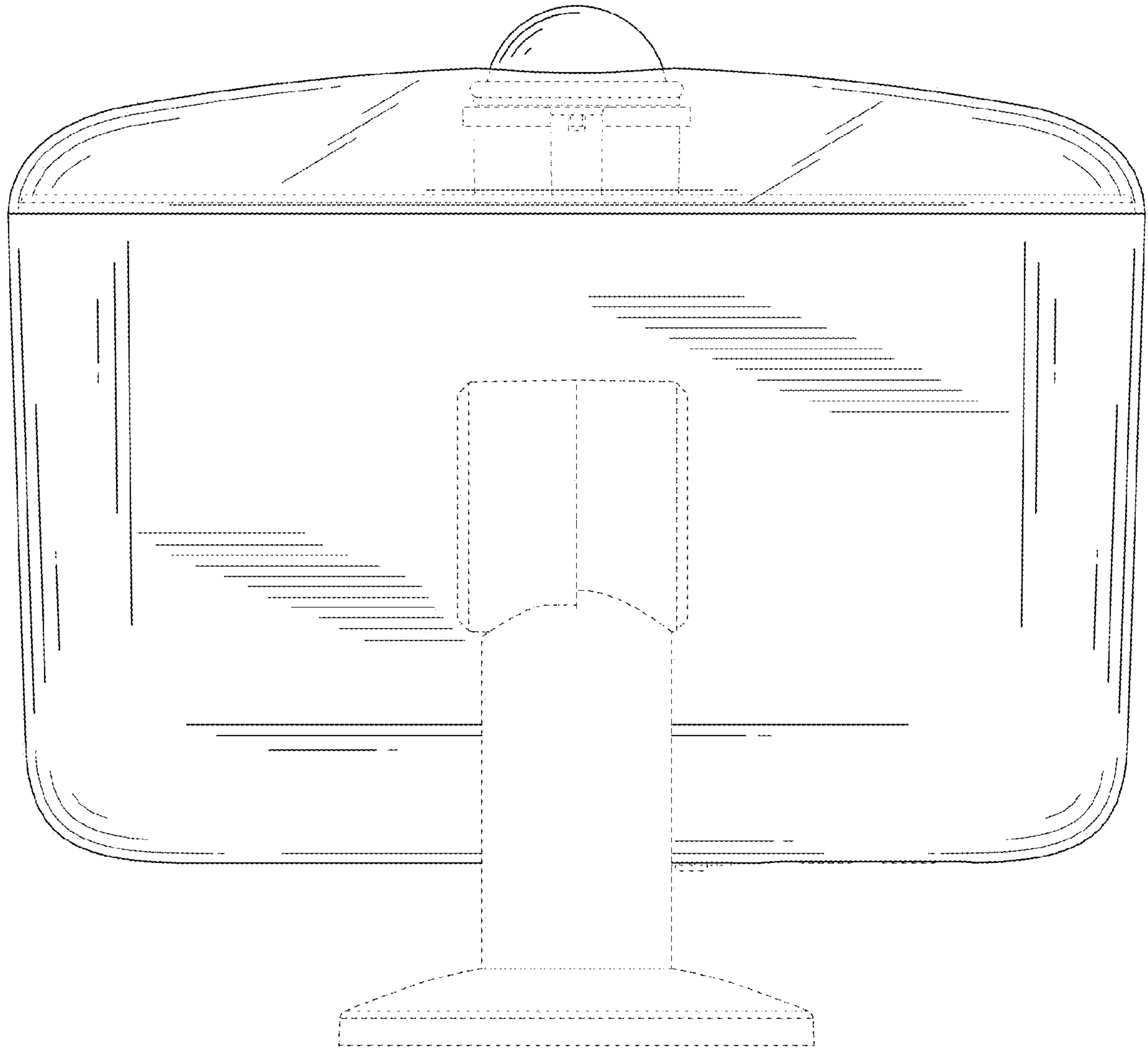


FIG.8

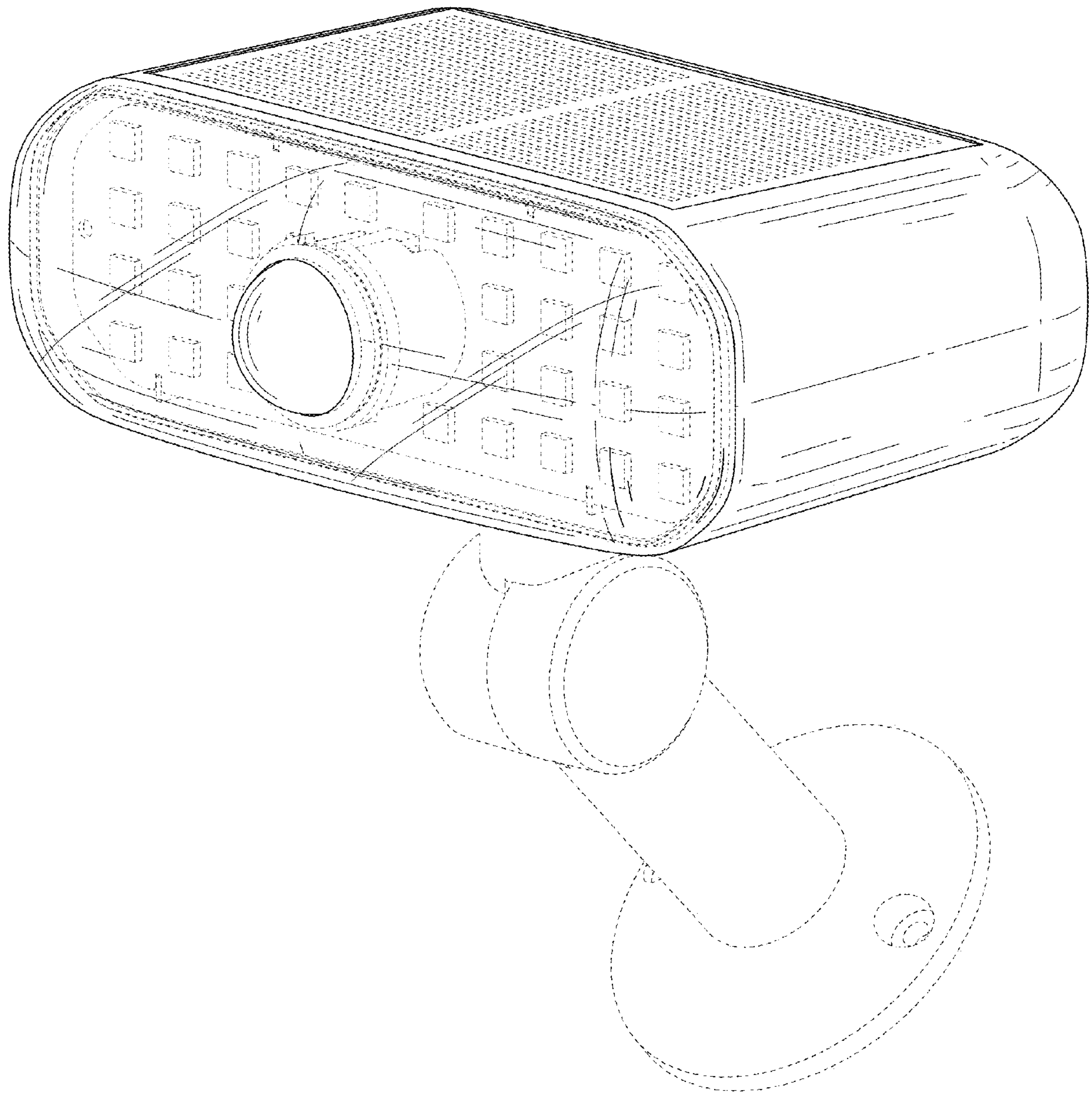


FIG.9

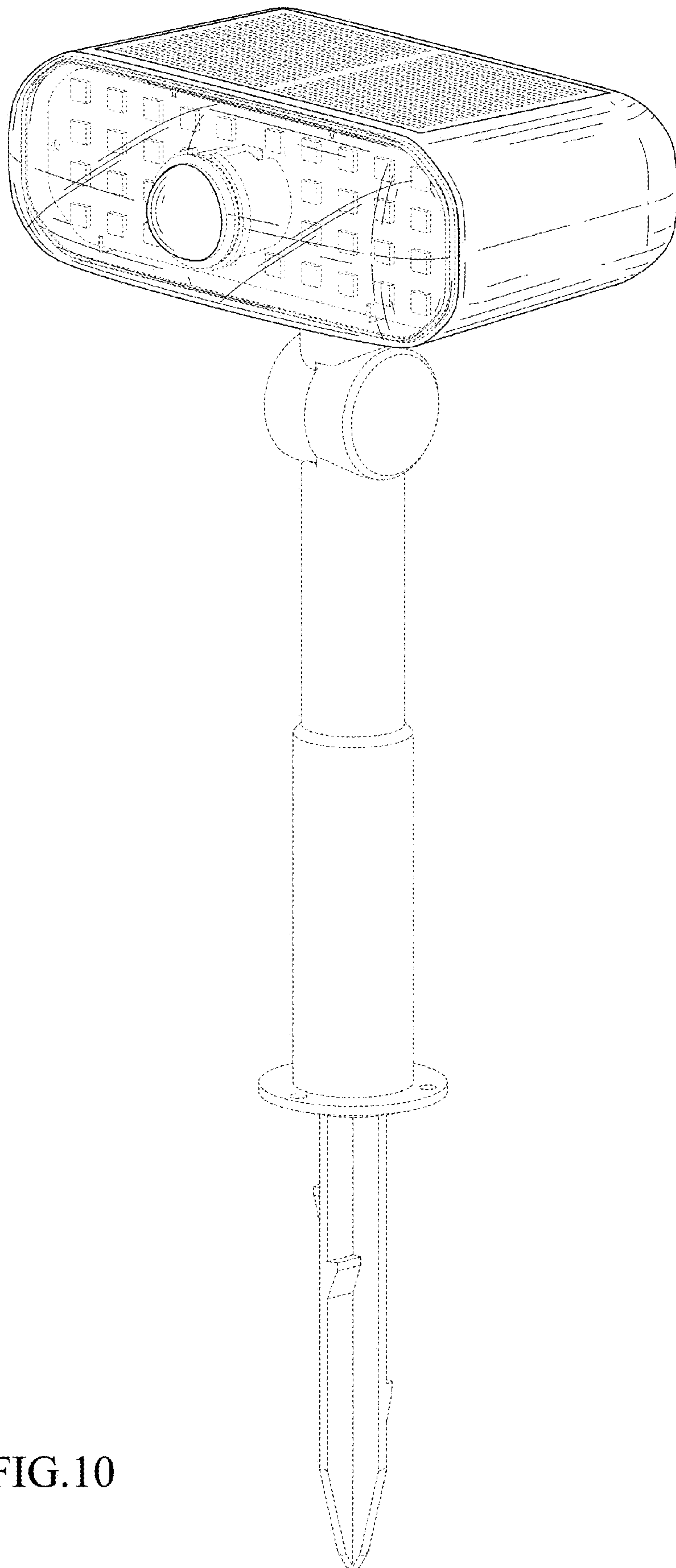


FIG.10

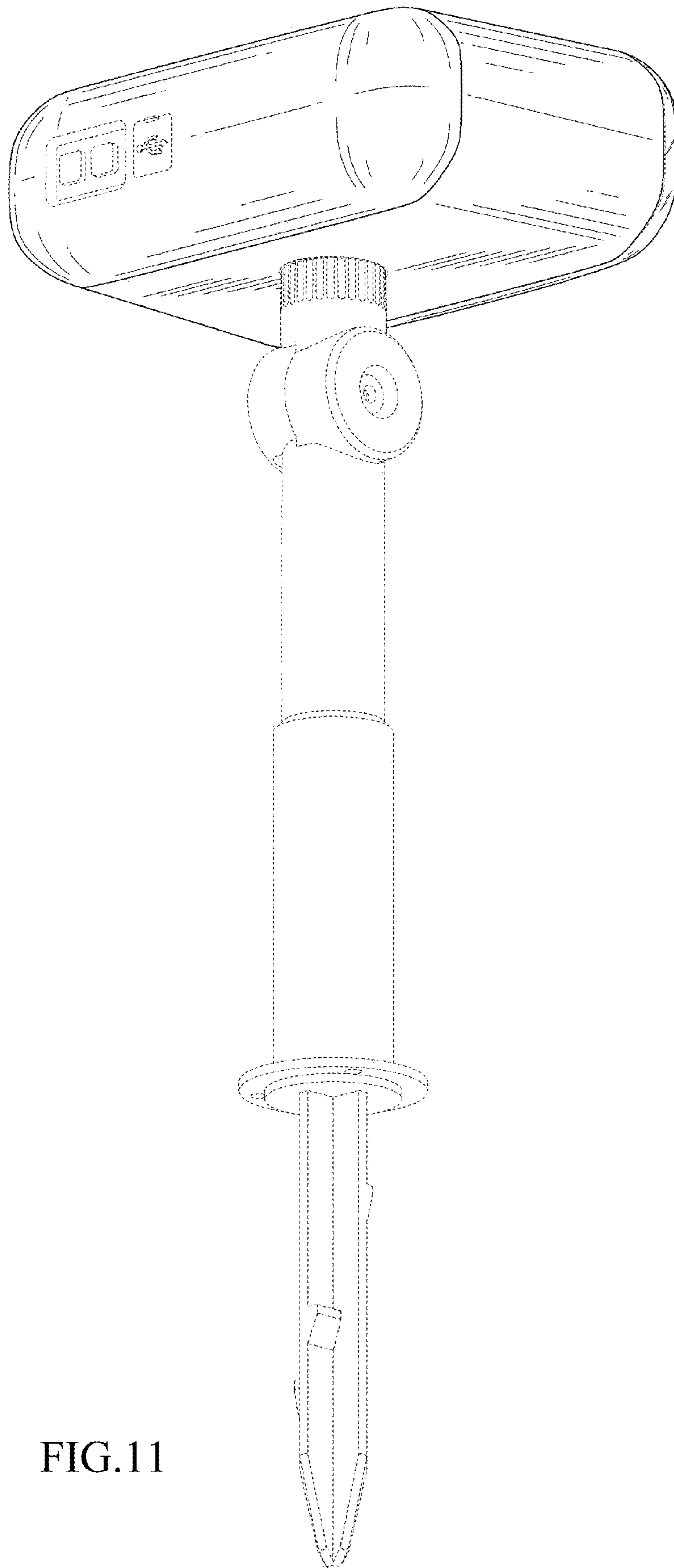


FIG.11

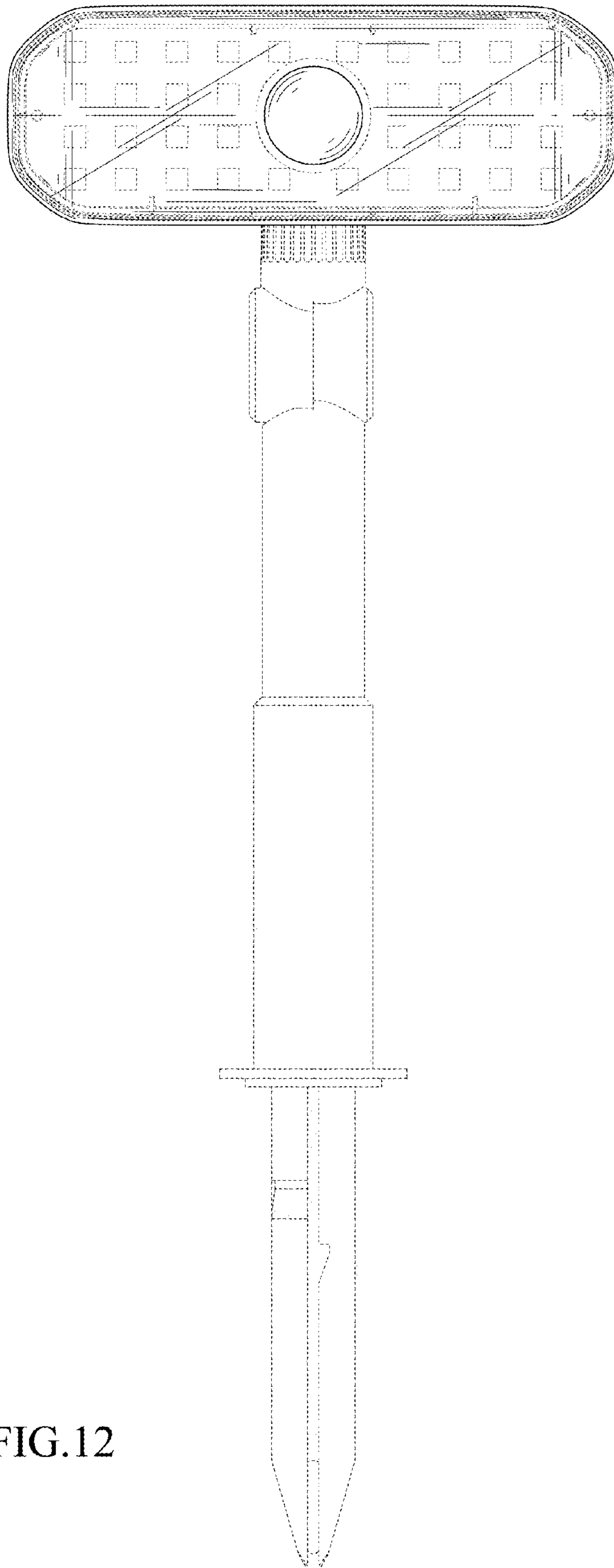


FIG.12

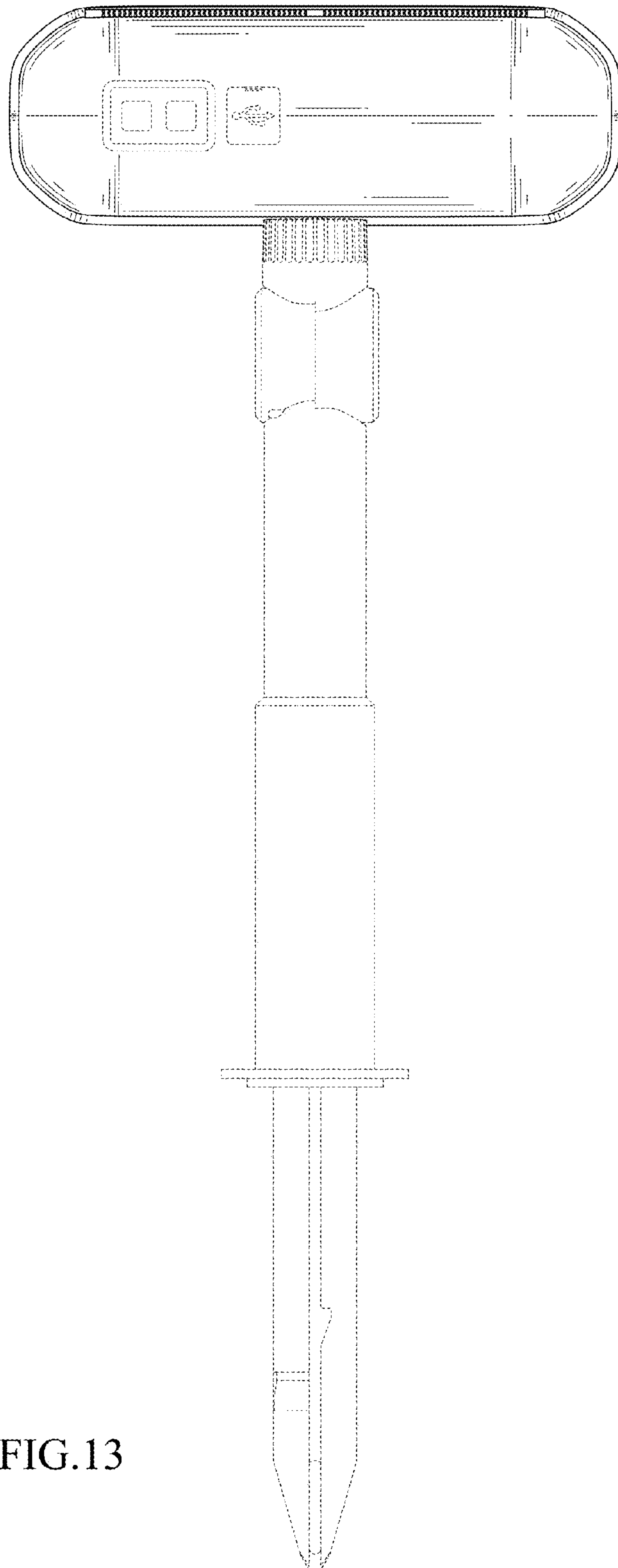


FIG.13

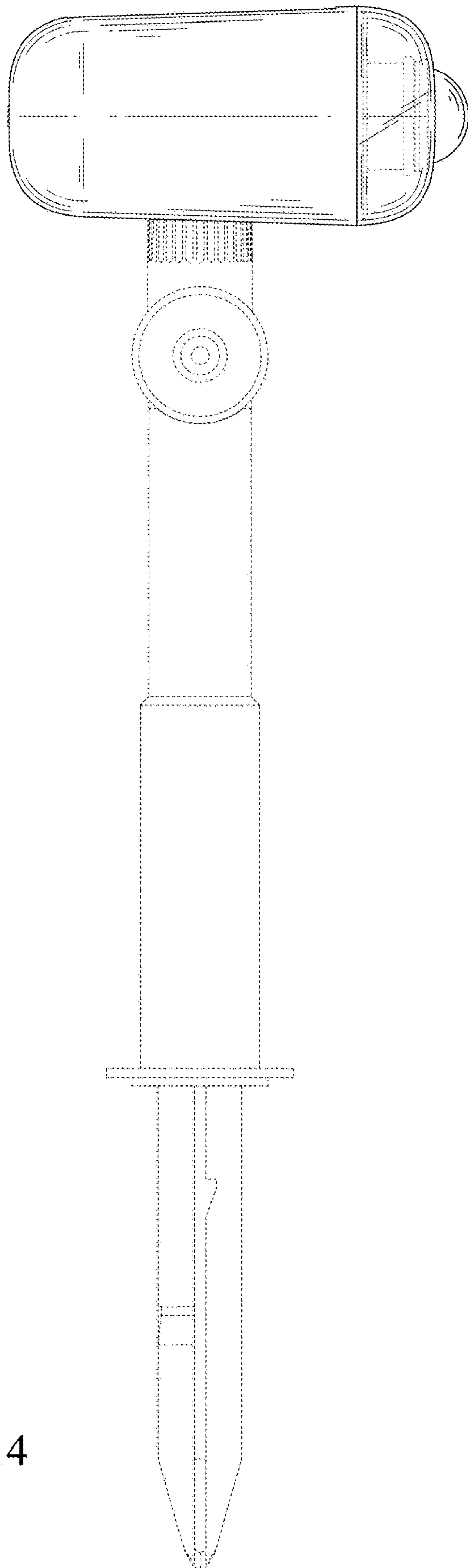


FIG.14

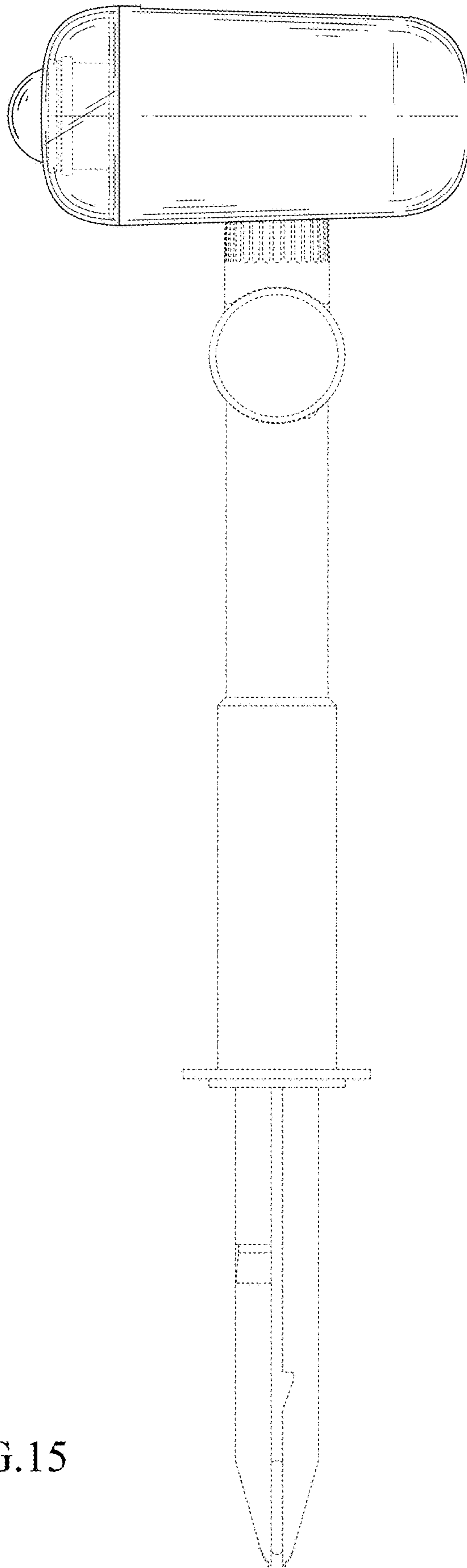


FIG.15

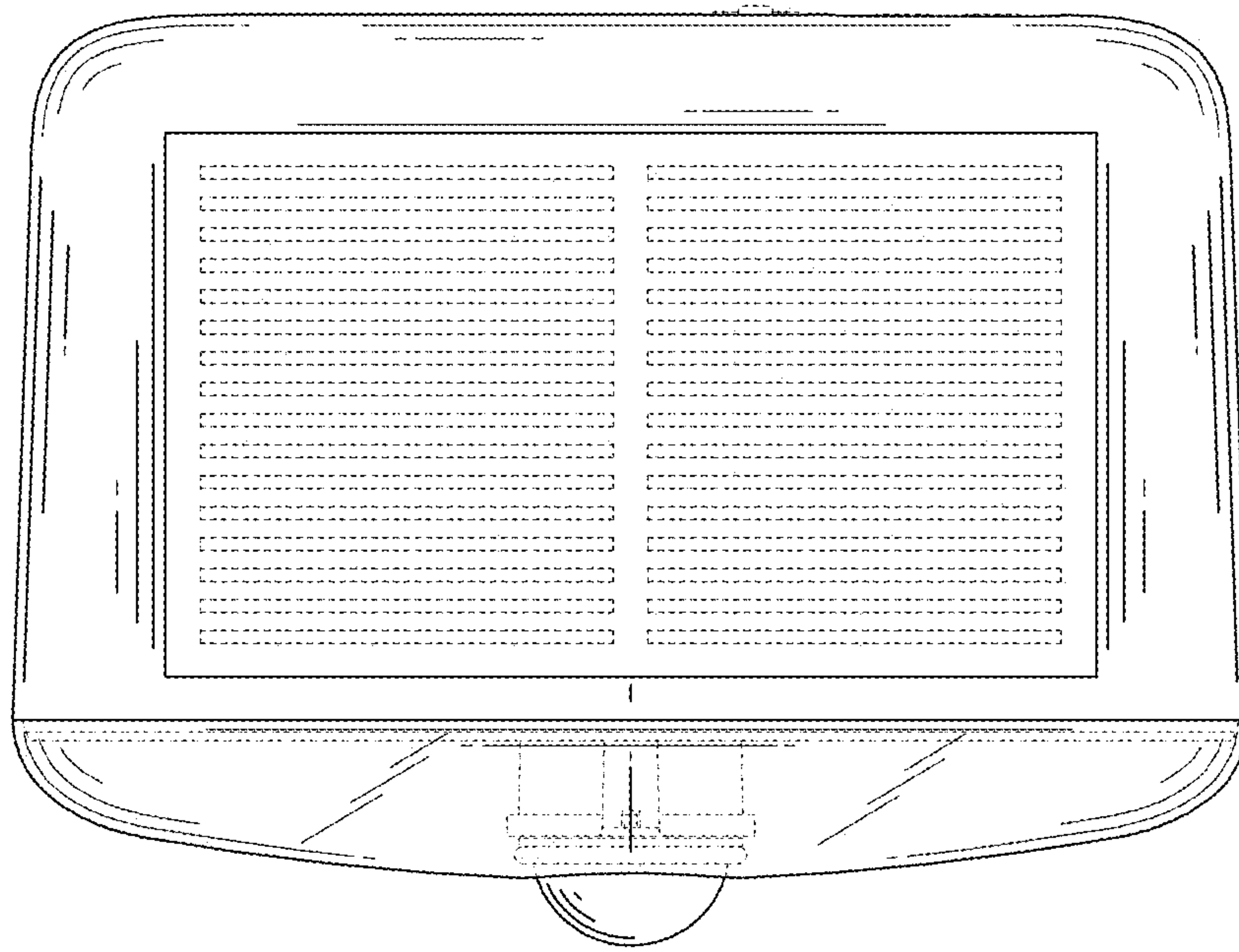


FIG.16

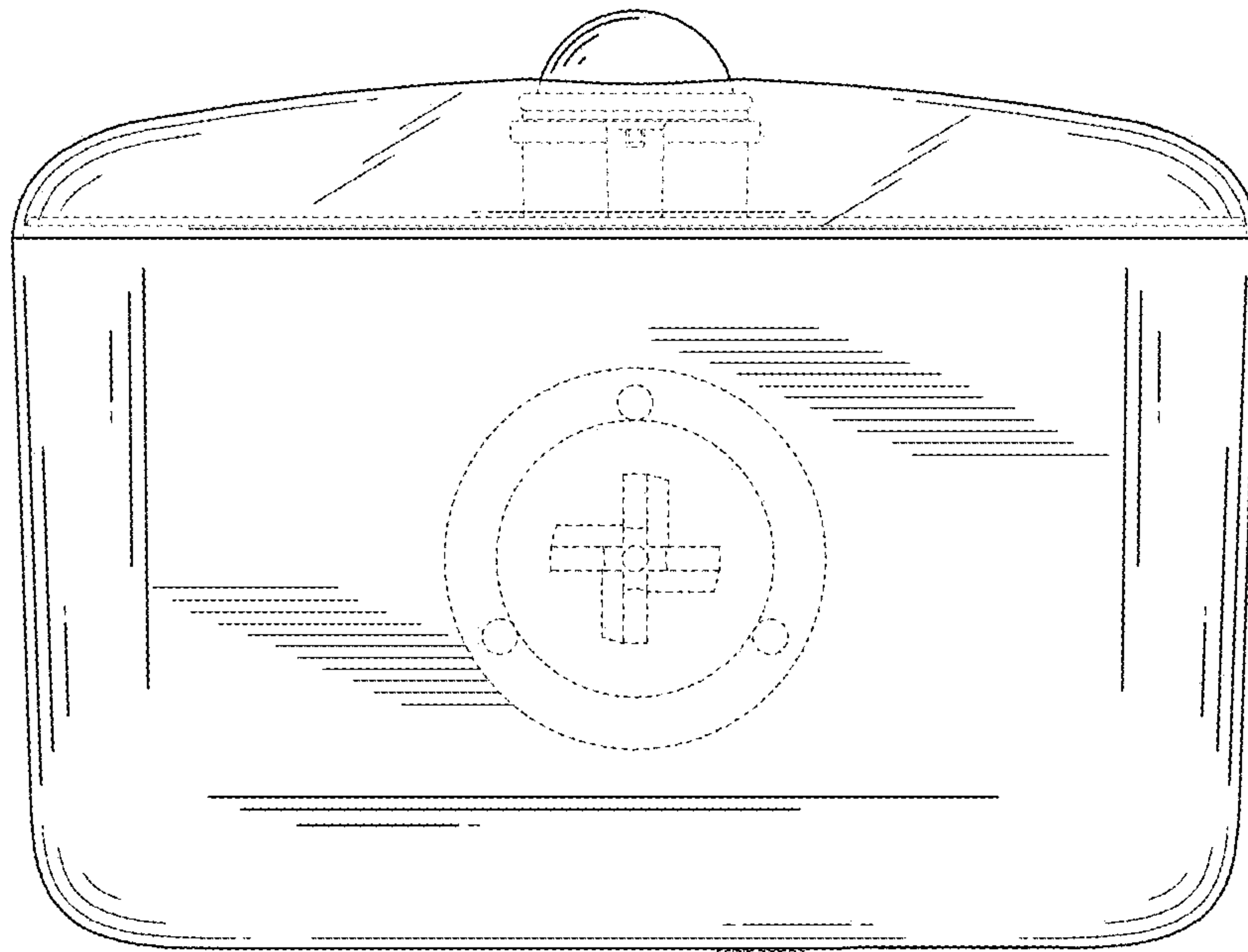


FIG. 17