



US00D983433S

(12) **United States Design Patent**  
**Cordo et al.**

(10) **Patent No.:** **US D983,433 S**

(45) **Date of Patent:** **\*\* Apr. 11, 2023**

(54) **LUMINAIRE**

(71) Applicant: **Televés, S.A.**, Santiago de Compostela (ES)

(72) Inventors: **Andrea Miguens Cordo**, Santiago de Compostela (ES); **Felix Blanco Ruanova**, Santiago de Compostela (ES); **Jose Lema Martinez**, Santiago de Compostela (ES); **Carlos Lopez Couto**, Santiago de Compostela (ES)

(\*\*) Term: **15 Years**

(21) Appl. No.: **29/735,083**

(22) Filed: **May 18, 2020**

(51) **LOC (14) Cl.** ..... **26-05**

(52) **U.S. Cl.**  
USPC ..... **D26/71**

(58) **Field of Classification Search**  
USPC ..... D26/67-72, 92  
CPC .. F21S 8/085; F21S 8/086; F21S 8/088; F21S 9/022; F21S 9/025; F21S 9/035; F21W 2131/103; F21W 2131/107  
See application file for complete search history.

(56) **References Cited**

**U.S. PATENT DOCUMENTS**

D391,659 S *	3/1998	Gaskins	.....	D26/92
D780,360 S *	2/2017	Bobel	.....	D26/71
D832,484 S *	10/2018	Duckworth	.....	D26/92
D861,222 S *	9/2019	Levy	.....	D26/71
D869,723 S *	12/2019	Hwang	.....	D26/71
D891,685 S *	7/2020	Shundong	.....	D26/118
D921,264 S *	6/2021	Hu	.....	D26/92
D929,639 S *	8/2021	Duckworth	.....	D26/92
2010/0238671 A1 *	9/2010	Catone	.....	F21V 17/107 362/373
2011/0013397 A1 *	1/2011	Catone	.....	F21V 19/0055 362/244

2015/0345772 A1 *	12/2015	Duckworth	.....	F21V 17/06 362/373
2017/0370553 A1 *	12/2017	Demuyneck	.....	F21V 29/74
2020/0158295 A1 *	5/2020	Li	.....	F21K 9/237

**OTHER PUBLICATIONS**

CIES—New Luminaires in Technical Polymer, posted to youtube.com by TelevesCorporation on Apr. 21, 2021. (Year: 2021).\*  
Superior Lighting LED Dusk to Dawn Street Light, ASIN: B07L7FPN9W. Available from amazon.com Sep. 16, 2017. (Year: 2017).\*  
Sirius LED Streetlight available from wsl-light.com, visited Aug. 11, 2022. (Year: 2022).\*

\* cited by examiner

*Primary Examiner* — Clare E Heflin  
(74) *Attorney, Agent, or Firm* — Legends Law Group, PLLC; Stephen H. Bean, Esq.

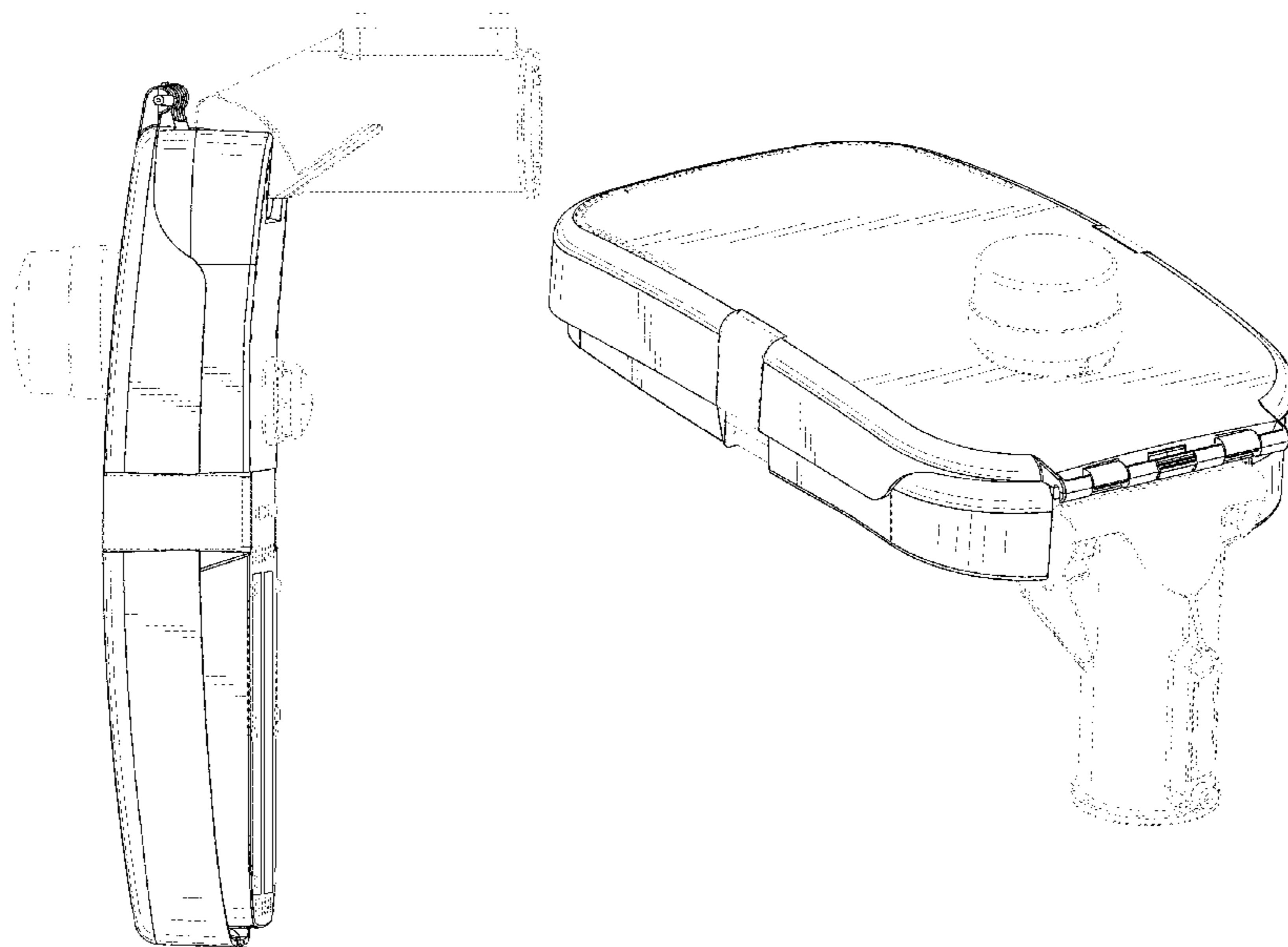
(57) **CLAIM**

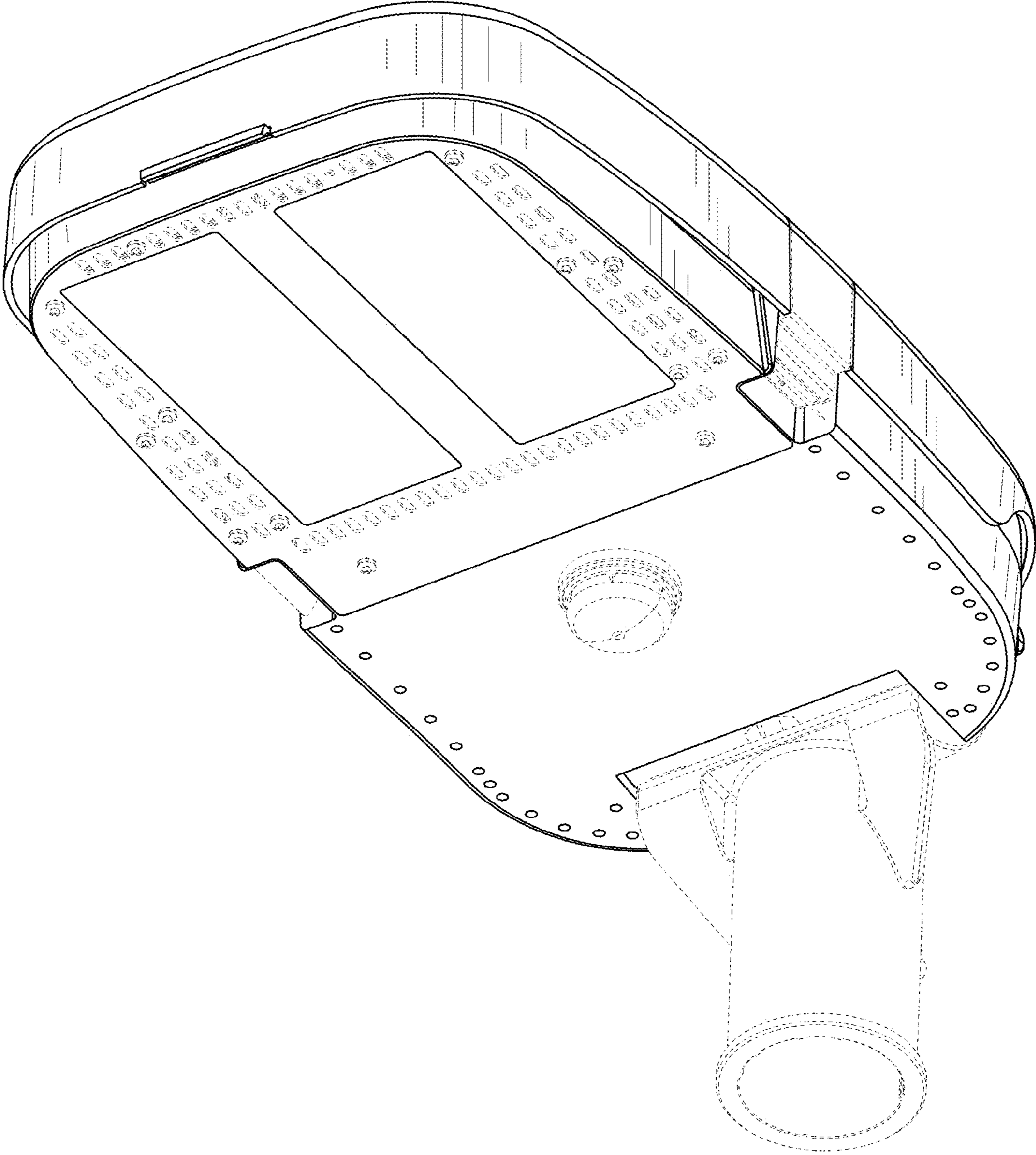
We claim the ornamental design for a luminaire, as shown and described.

**DESCRIPTION**

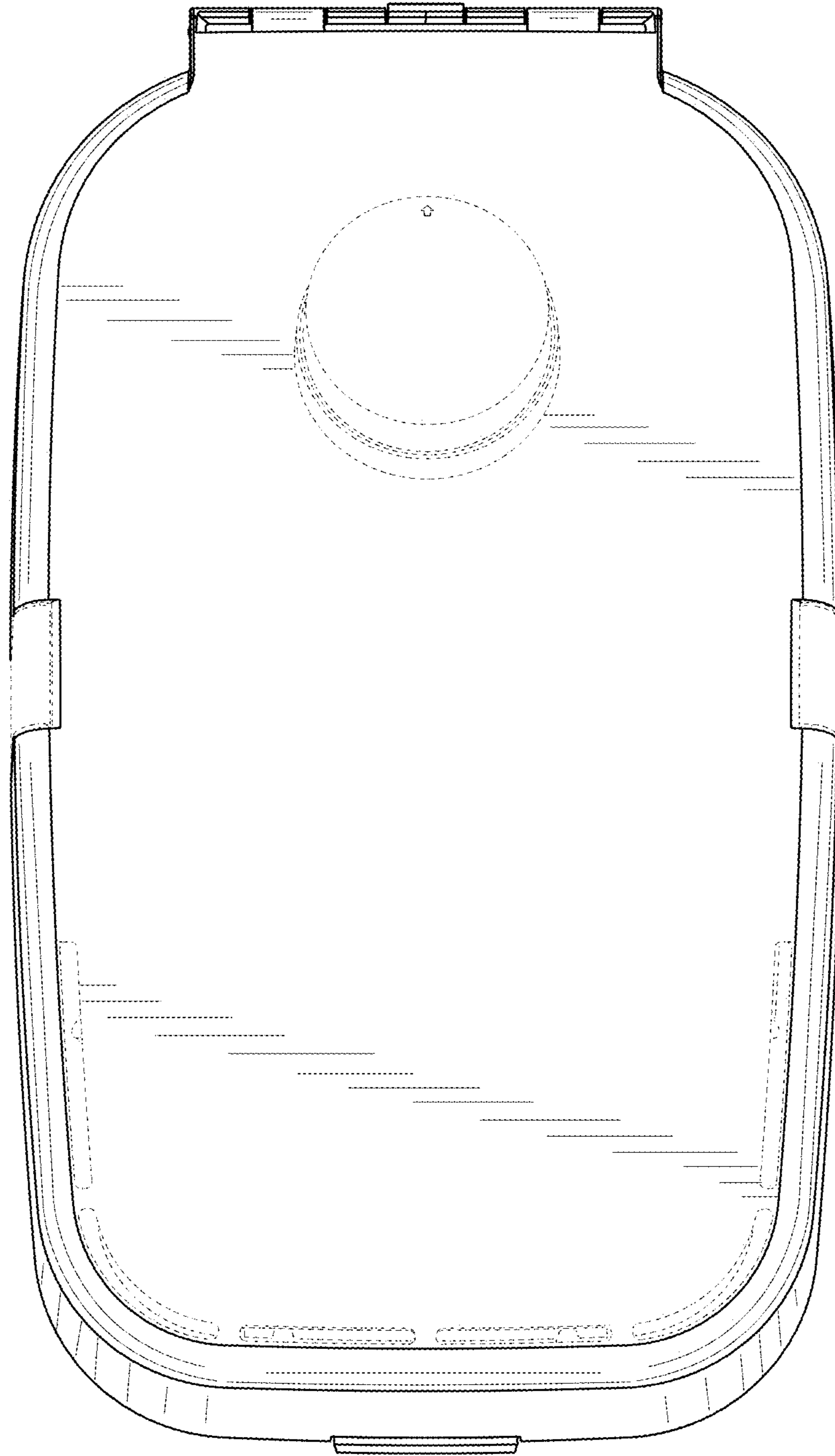
FIG. 1 is a bottom-right front perspective view of a luminaire showing our new design;  
FIG. 2 is a top-front perspective view thereof;  
FIG. 3 is bottom-right side perspective view thereof;  
FIG. 4 is a bottom-rear perspective view thereof; and,  
FIG. 5 is top-left rear perspective view thereof.  
The broken line showing of portions of the luminaire depicts environment and forms no part of the claim; the broken lines immediately adjacent surfaces shown in solid lines depict boundaries of the claim.

**1 Claim, 5 Drawing Sheets**

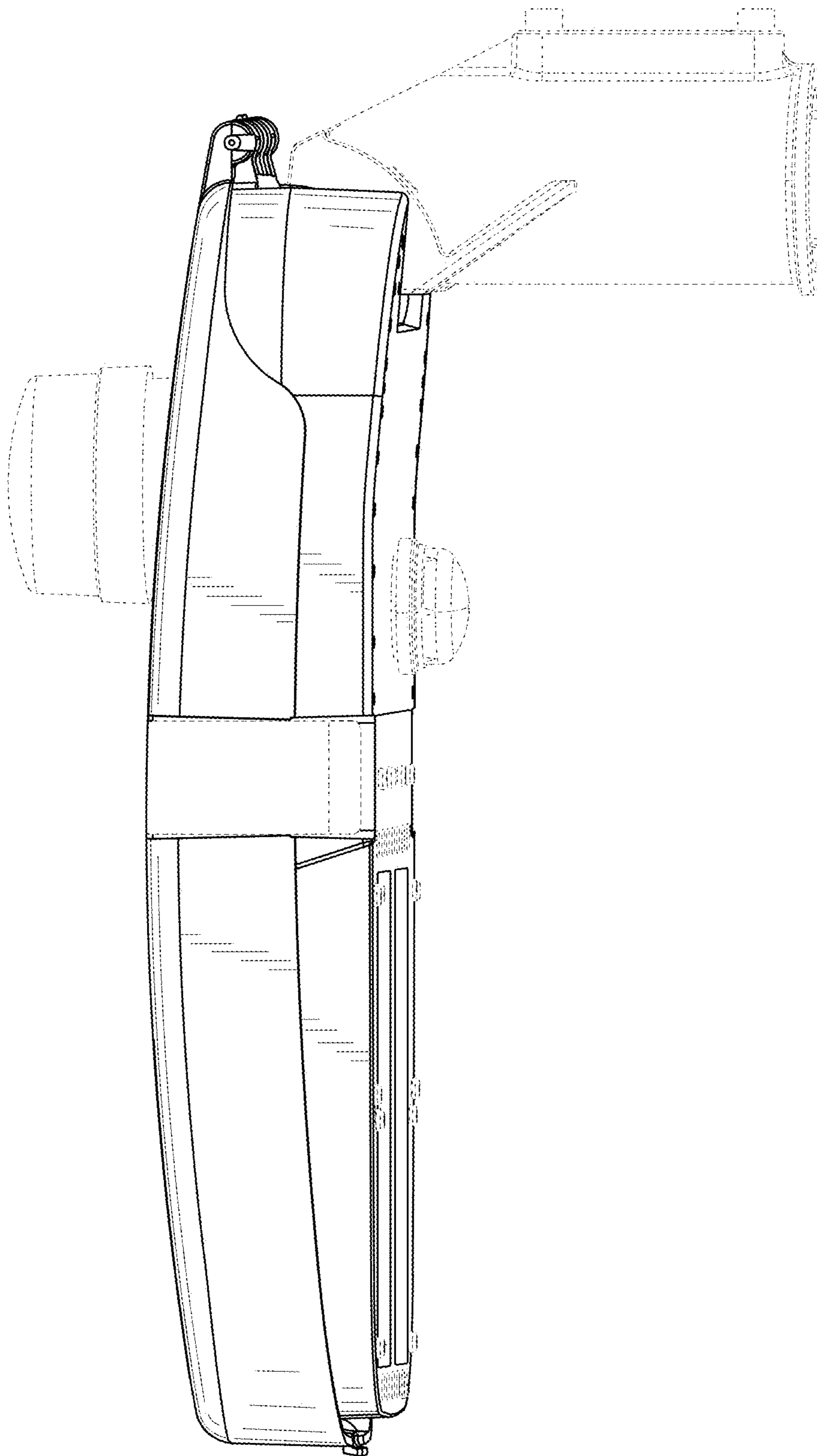




**FIG. 1**

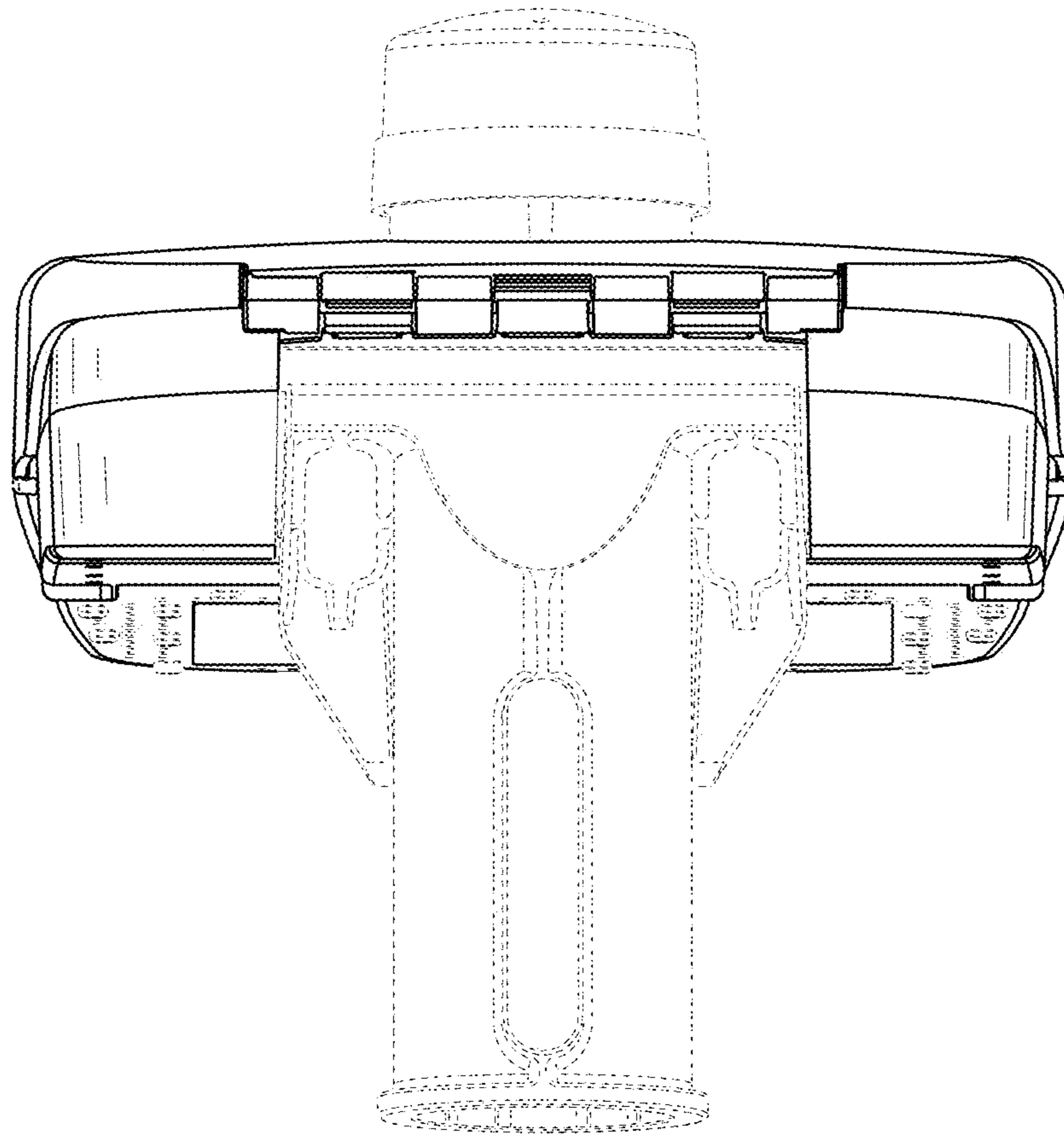


**FIG. 2**

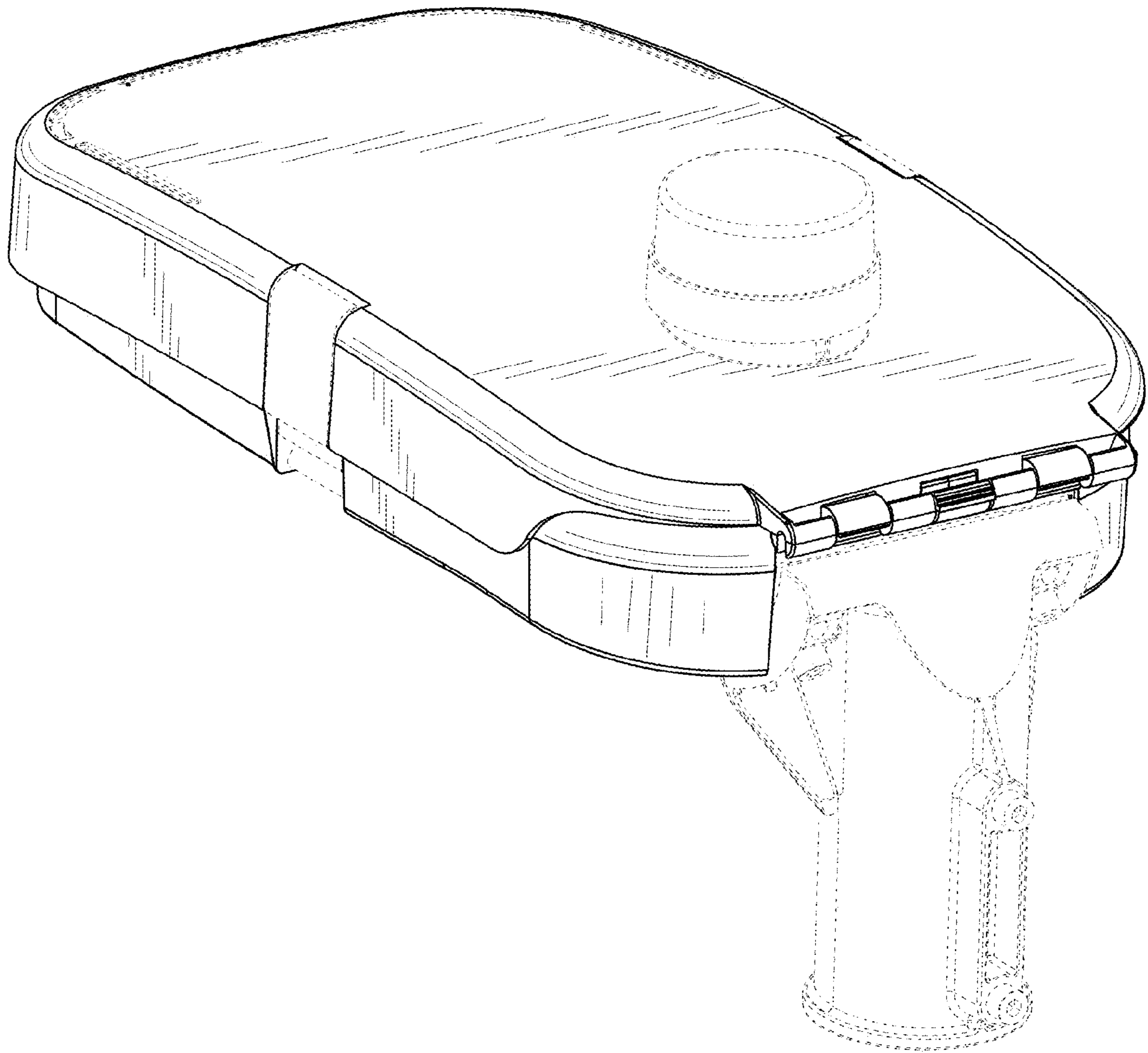


**FIG. 3**





**FIG. 4**



**FIG. 5**