



US00D983432S

(12) **United States Design Patent** (10) **Patent No.:** **US D983,432 S**
Wang (45) **Date of Patent:** **** Apr. 11, 2023**

(54) **DESK LAMP**

(71) Applicant: **ZHUHAI TESSAN POWER TECHNOLOGY CO., LTD.**, Zhuhai (CN)

(72) Inventor: **Guiming Wang**, Liaoyuan (CN)

(73) Assignee: **ZHUHAI TESSAN POWER TECHNOLOGY CO., LTD.**, Zhuhai (CN)

(**) Term: **15 Years**

(21) Appl. No.: **29/784,312**

(22) Filed: **May 19, 2021**

(51) **LOC (14) Cl.** **26-05**

(52) **U.S. Cl.**
USPC **D26/65; D26/107**

(58) **Field of Classification Search**
USPC D26/24, 37, 43, 60-63, 64, 65, 93, 102, D26/107

CPC F21K 9/00; F21K 9/20; F21L 4/00; F21L 4/005; F21L 4/06; F21S 9/00; F21S 9/02; F21V 21/042; F21V 21/08; F21V 21/088

See application file for complete search history.

(56) **References Cited**

U.S. PATENT DOCUMENTS

D599,929 S	*	9/2009	Huang	D26/63
D623,334 S	*	9/2010	Huang	D26/65
D623,788 S	*	9/2010	Huang	D26/65
D627,501 S	*	11/2010	Lin	D26/65
D637,331 S	*	5/2011	Lee	D26/63
D641,907 S	*	7/2011	Lee	D26/65
D641,916 S	*	7/2011	Witsch	D26/107
D689,642 S	*	9/2013	Huang	D26/63
D758,631 S	*	6/2016	Cai	D26/63
D759,282 S	*	6/2016	Lee	D26/65
D803,450 S	*	11/2017	Xie	D26/63
D804,071 S	*	11/2017	Xu	D26/63

D804,072 S	*	11/2017	Xu	D26/63
D858,835 S	*	9/2019	Xiao	D26/93
D873,463 S	*	1/2020	Wang	D26/65
D874,710 S	*	2/2020	Tong	D26/93
D876,699 S	*	2/2020	Tang	D26/65

(Continued)

FOREIGN PATENT DOCUMENTS

CN	304531380	*	3/2018
CN	305143410	*	5/2019
CN	306151893	*	11/2020
CN	306364468	*	3/2021

OTHER PUBLICATIONS

“LED Desk Lamp with USB Charging Tanosee” reference by Tanosee on Amazon.com, date first available Feb. 23, 2022 [online], site visited Jul. 21, 2022, available from internet URL: <https://www.amazon.com/dp/B09T6ND6KP> (Year: 2022).*

(Continued)

Primary Examiner — Richard Kearney
Assistant Examiner — Liv C Anderson

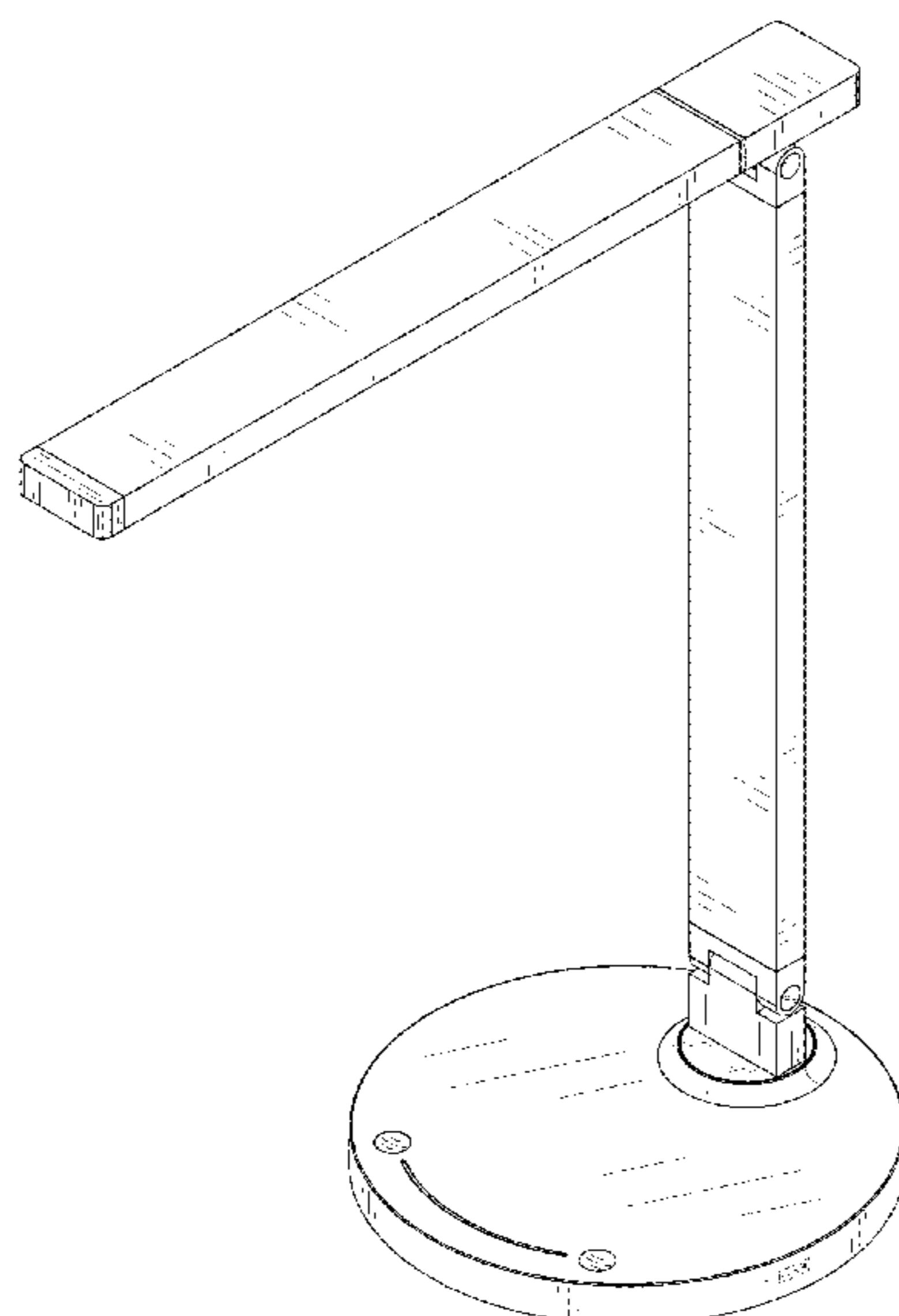
(57) **CLAIM**

The ornamental design for a desk lamp, as shown and described.

DESCRIPTION

FIG. 1 is a perspective view of a desk lamp showing my new design;
FIG. 2 is a front elevational view thereof;
FIG. 3 is a rear elevational view thereof;
FIG. 4 is a left side elevational view thereof;
FIG. 5 is a right side elevational view thereof;
FIG. 6 is a top plan view thereof;
FIG. 7 is a bottom plan view thereof; and,
FIG. 8 is another perspective view thereof.
The broken lines in the drawings depict portions of the desk lamp that form no part of the claimed design.

1 Claim, 8 Drawing Sheets



(56)

References Cited

U.S. PATENT DOCUMENTS

D892,390	S	8/2020	Tong	
D907,837	S *	1/2021	Tang	D26/107
D911,588	S *	2/2021	Tan	D26/107
D911,589	S	2/2021	Huang	
D935,684	S *	11/2021	Wu	D26/107
D936,885	S *	11/2021	Yang	D26/63
D937,463	S *	11/2021	Zheng	D26/65
D945,048	S *	3/2022	Zhou	D26/106
D950,138	S *	4/2022	Huang	D26/65
D963,930	S *	9/2022	Xu	D26/107
D963,931	S *	9/2022	Chen	D26/107
D963,932	S *	9/2022	Chen	D26/107
D965,850	S *	10/2022	Huang	D26/107
D967,485	S *	10/2022	Liu	D26/65
2018/0058647	A1 *	3/2018	He	F21V 21/116

OTHER PUBLICATIONS

“LED Desk Lamp Desk” reference by CFTGET on Amazon.com, date first available Oct. 10, 2020 [online], site visited Jul. 21, 2022,

available from internet URL: <https://www.amazon.com/Charging-Lighting-Brightness-Operated-Function/dp/B08L1559BD> (Year: 2020).*

“Consciot” reference on Amazon.com, date first available Mar. 14, 2020 [online], site visited Jul. 21, 2022, available from internet URL: <https://www.amazon.com/Consciot-Dimmable-Adjustable-Touch-Sensitive-Brightness/dp/B07Z4YRNRX> (Year: 2020).*

“Bostitch” reference on Amazon.com, date first available Jun. 18, 2019 [online], site visited Jul. 21, 2022, available from internet URL: <https://www.amazon.com/dp/B07T7K2SN4/> (Year: 2019).*

“LED Desk Lamp with USB Charging Port” reference by Wivop on Amazon.com, date first available Jan. 23, 2021 [online], site visited Jul. 21, 2022, available from internet URL: <https://www.amazon.com/Wireless-Temperature-Adjustable-Brightness-Eye-Caring/dp/B08TTDCWX8> (Year: 2021).*

“LED Desk Lamp Drevet” reference by Drevet on Amazon.com, date first available May 15, 2020 [online], site visited Jul. 21, 2022, available from internet URL: <https://www.amazon.com/Drevet-Charging-Brightness-Function-Eye-Caring/dp/B088PCWS67> (Year: 2020).*

“LED Desk Lamp with 4” reference by YostyleDirect on Amazon.com, date first available Mar. 8, 2021 [online], site visited Jul. 21, 2022, available from internet URL: <https://www.amazon.com/Charging-Extension-Brightness-Control-Eye-Caring/dp/B08Y8NLFFJ> (Year: 2021).*

* cited by examiner

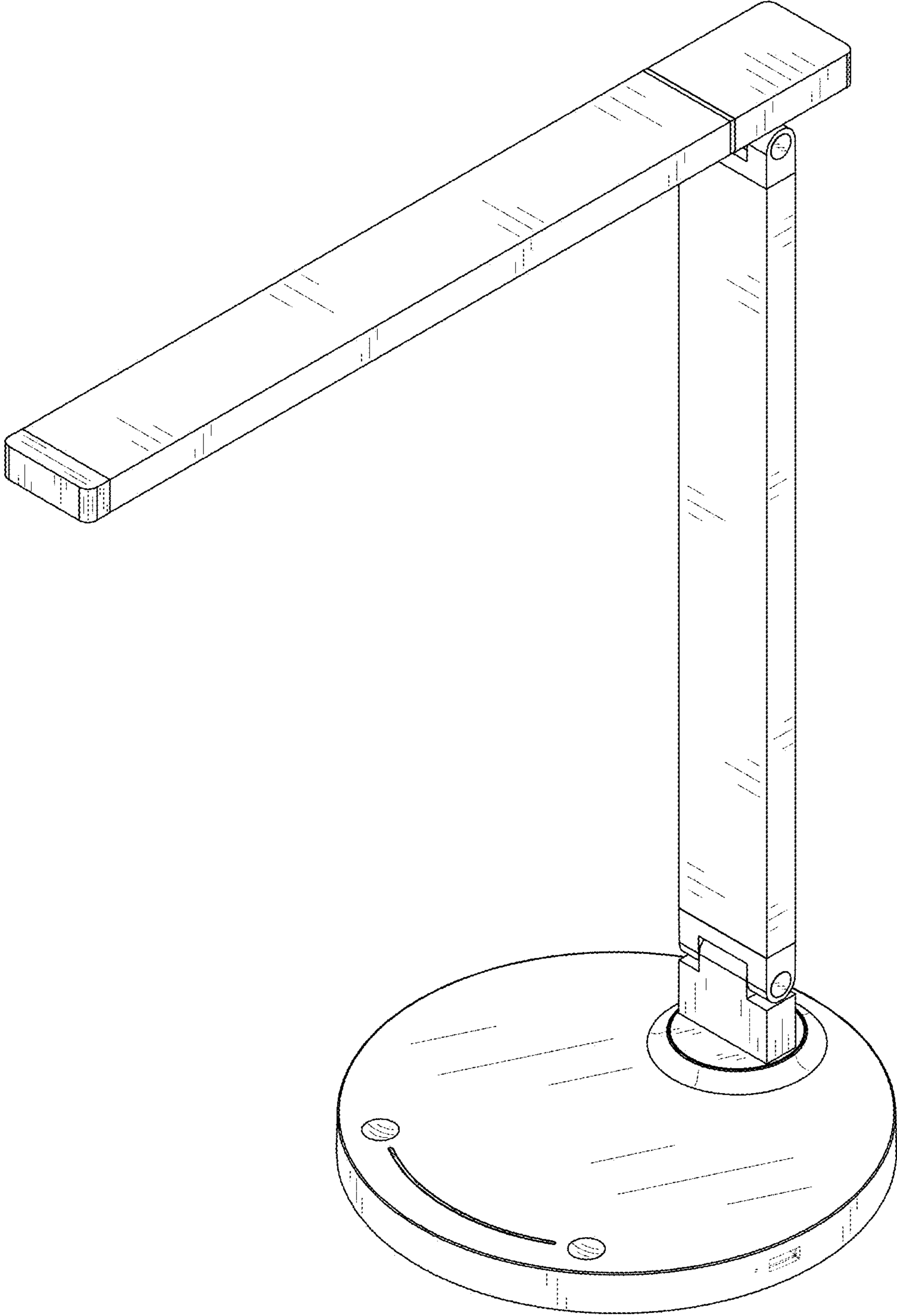


FIG. 1

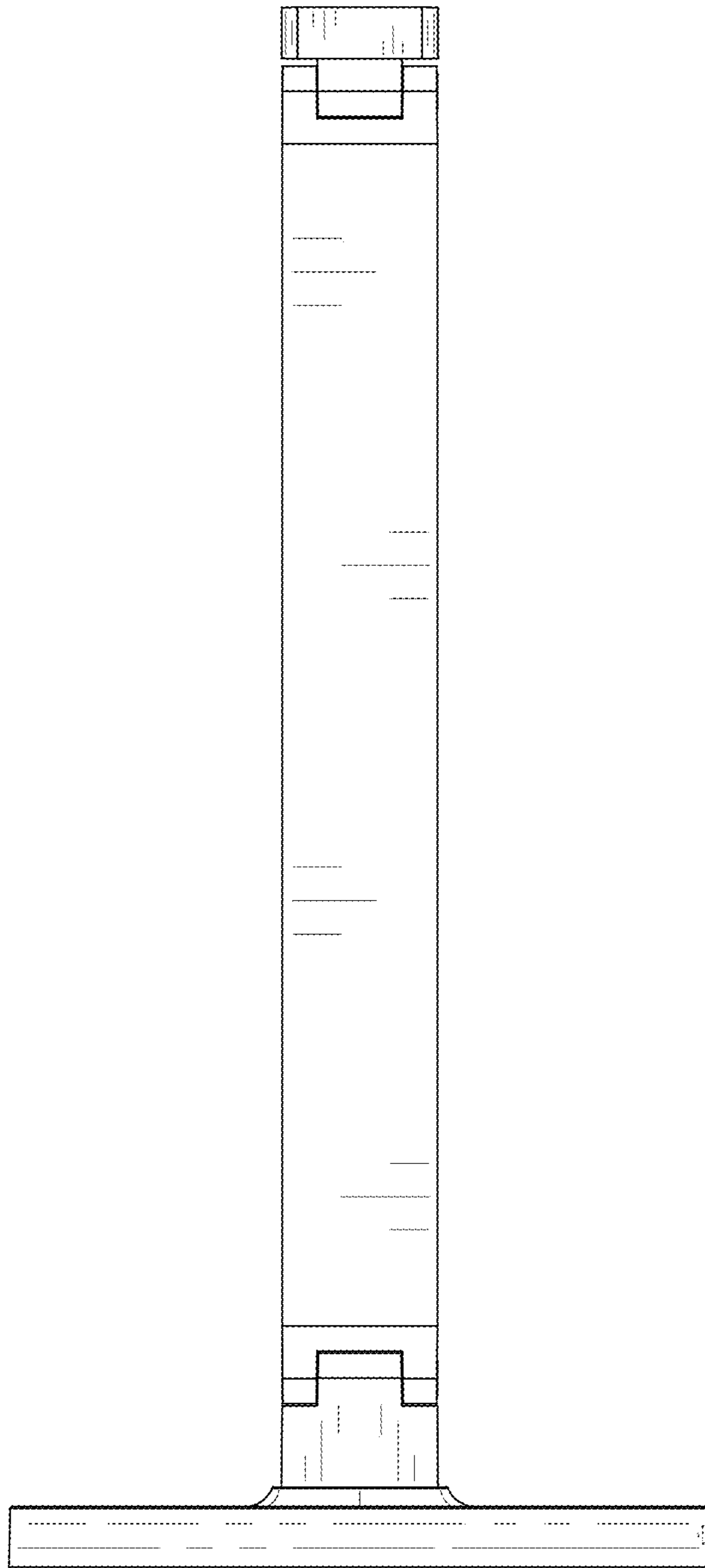


FIG. 2

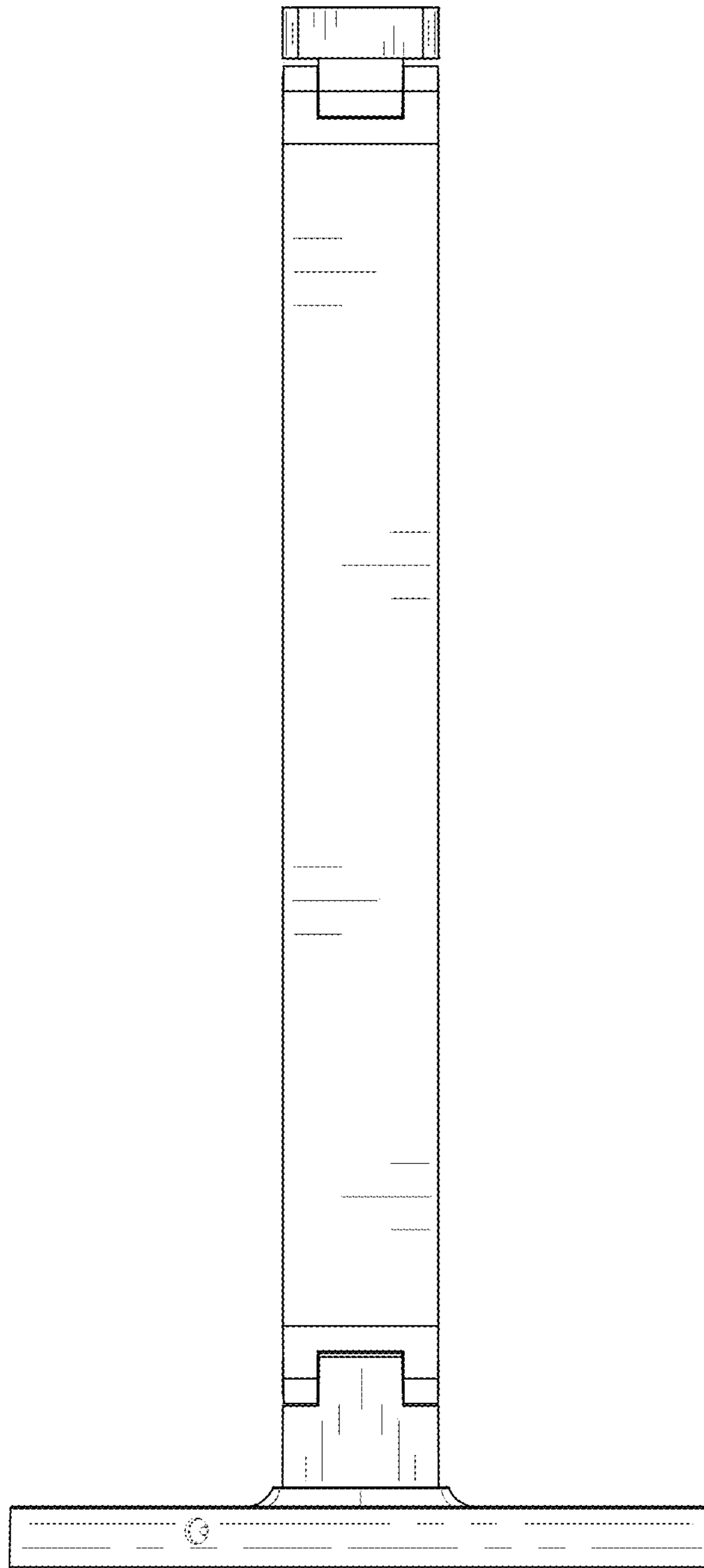


FIG. 3

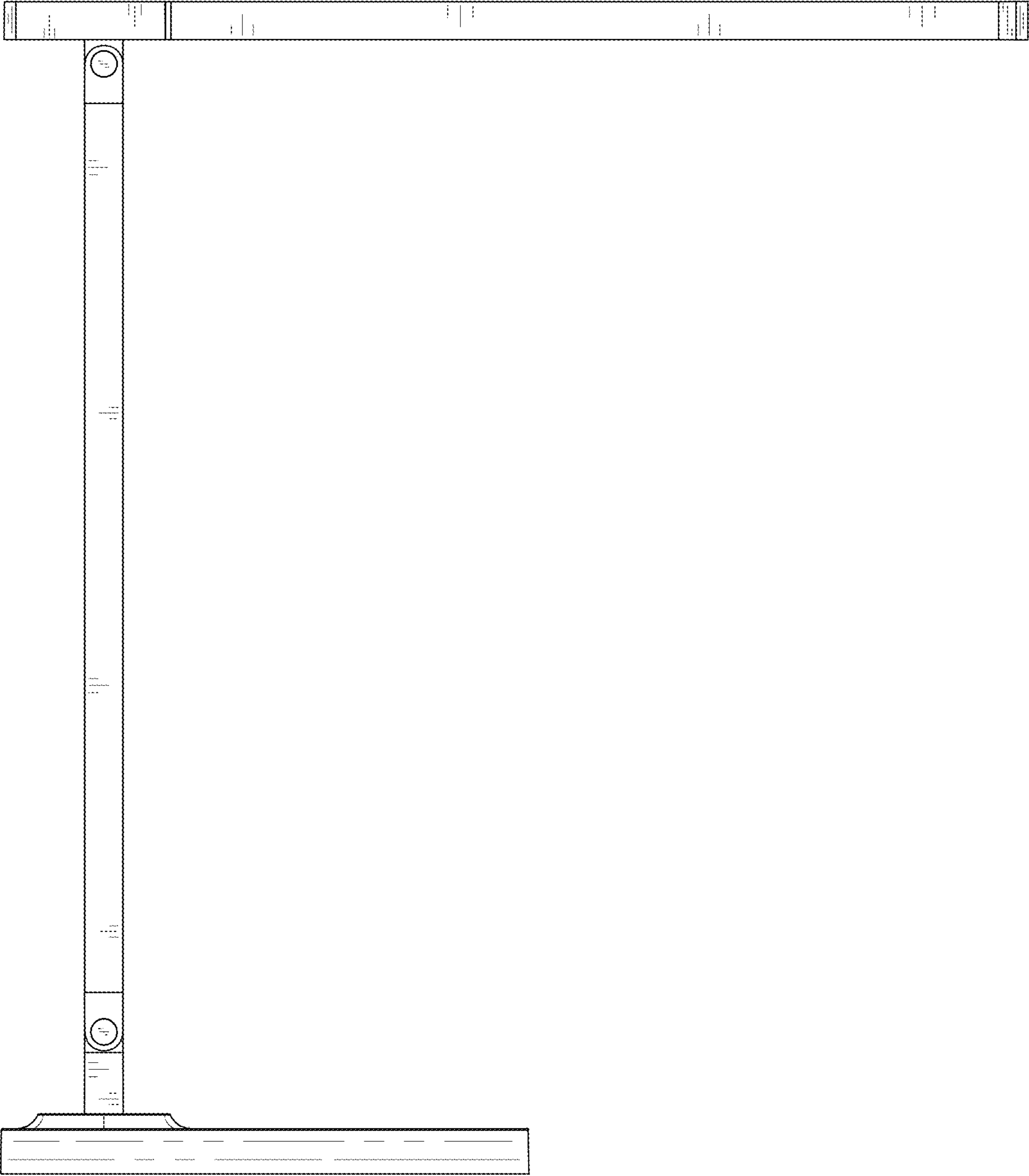


FIG. 4

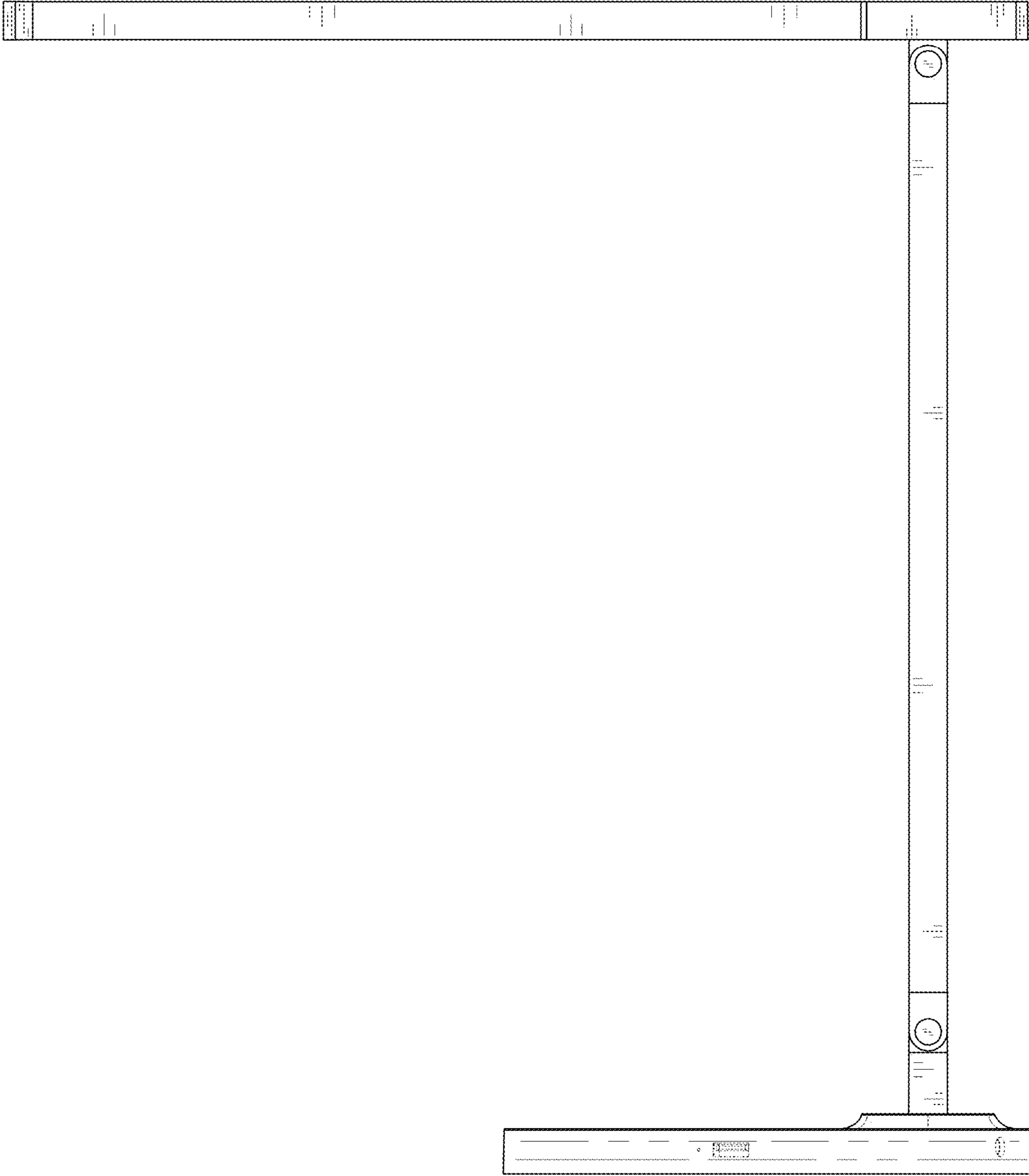


FIG. 5

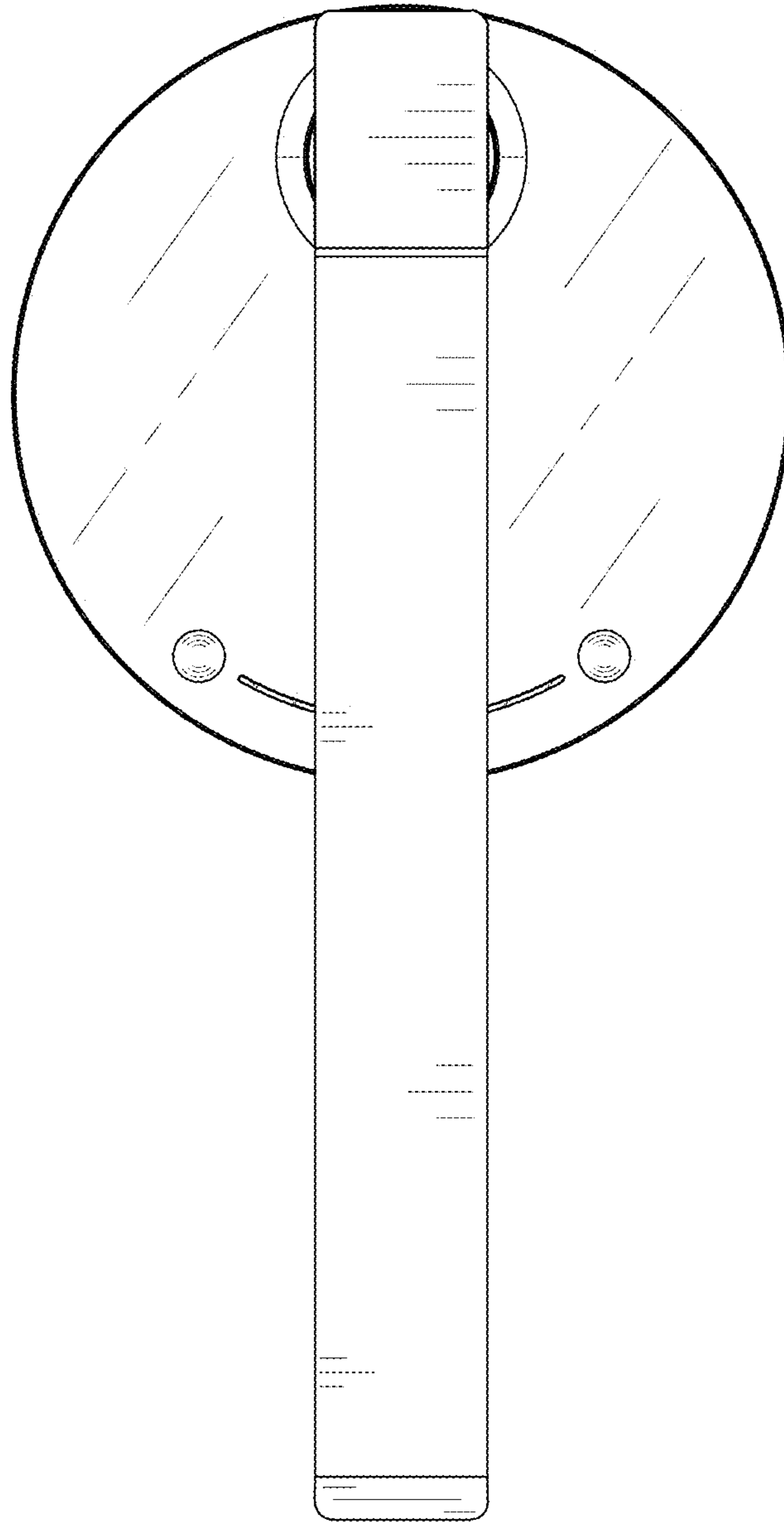


FIG. 6

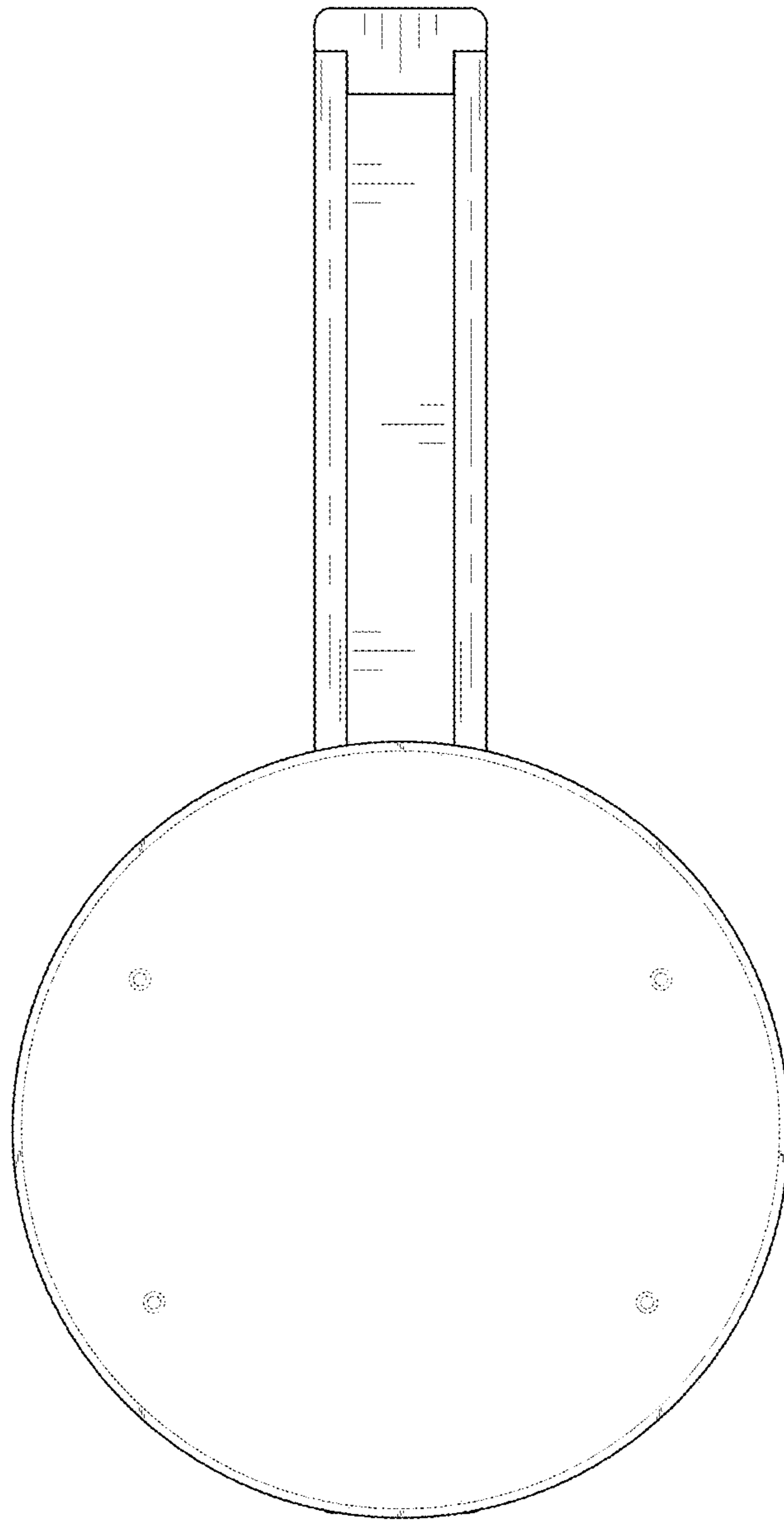


FIG. 7

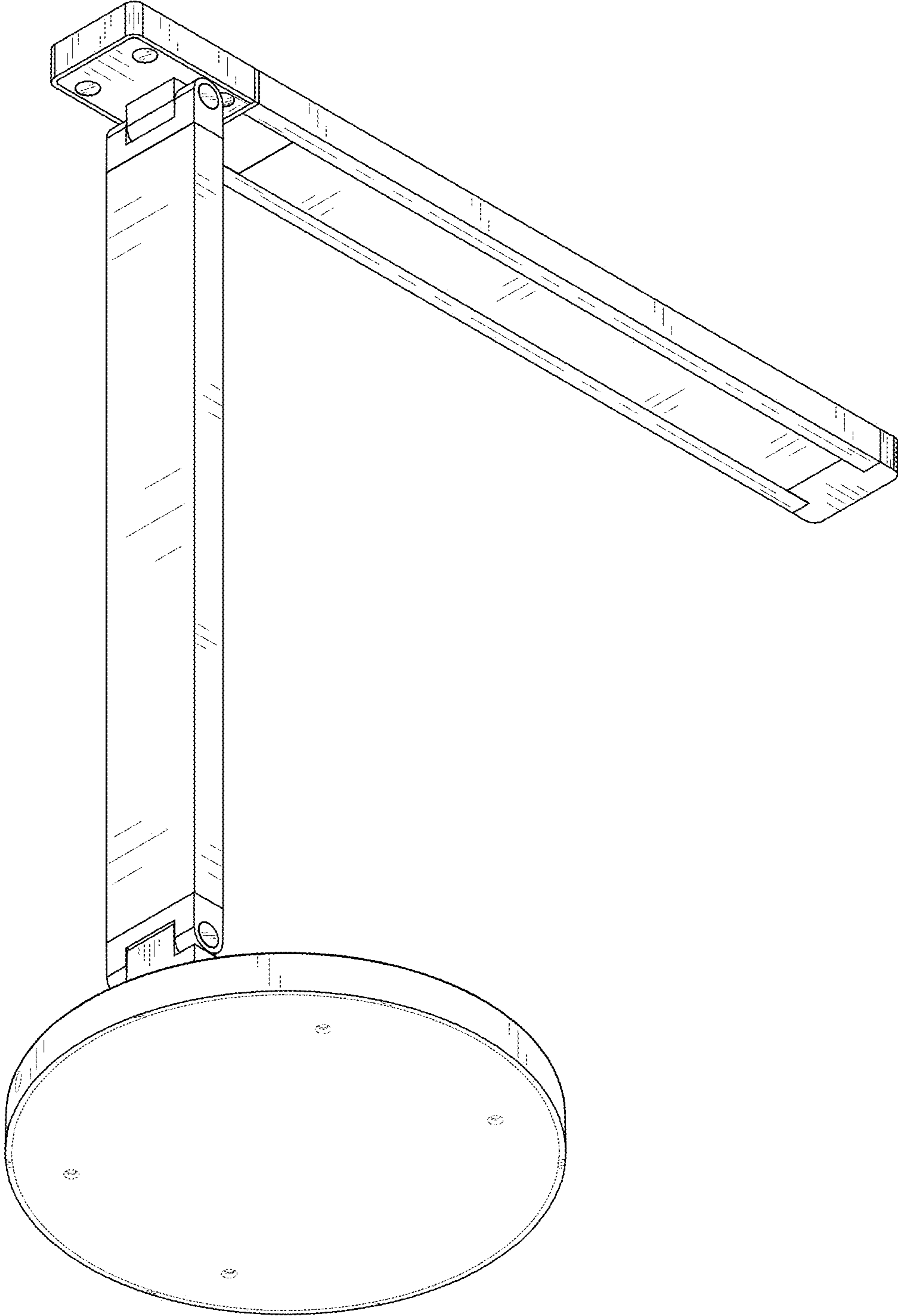


FIG. 8