



US00D983431S

(12) **United States Design Patent** (10) **Patent No.:** **US D983,431 S**
Liu (45) **Date of Patent:** **** Apr. 11, 2023**

(54) **FLASHLIGHT**
(71) Applicant: **Shenzhen Baoxi Technology Co., Ltd.**,
Shenzhen (CN)
(72) Inventor: **Guangwu Liu**, Changde (CN)
(73) Assignee: **Shenzhen Baoxi Technology Co., Ltd.**,
Shenzhen (CN)
(**) Term: **15 Years**

D828,940 S 9/2018 Qiu
D846,169 S * 4/2019 Inskeep D26/49
D882,138 S * 4/2020 Bao D26/49
D885,626 S * 5/2020 Inskeep D26/49
D972,756 S * 12/2022 Zhou D26/49
D972,758 S * 12/2022 Ma D26/49

FOREIGN PATENT DOCUMENTS

CN 306672921 * 7/2021
CN 306923406 * 11/2021

OTHER PUBLICATIONS

Rechargeable Flashlight Super Bright. By Tensine. No Date available. Found online [Jun. 10, 2022]. <https://www.amazon.com/Rechargeable-Flashlight-Sidelight-Waterproof-Emergency/dp/B09M8RFP19> (Year: 2022).*

* cited by examiner

Primary Examiner — Mark A Goodwin
Assistant Examiner — William B Melliar
(74) *Attorney, Agent, or Firm* — Nitin Kaushik

(21) Appl. No.: **29/802,430**
(22) Filed: **Aug. 5, 2021**
(51) **LOC (14) Cl.** **26-02**
(52) **U.S. Cl.**
USPC **D26/49**
(58) **Field of Classification Search**
USPC D26/24, 37-52, 113, 138
CPC F21Y 2115/10; F21Y 2101/00; F21Y
2113/13; F21Y 2113/00; F21Y 2113/17;
F21V 23/0414; F21V 15/01; F21V
21/0885; F21V 14/045; F21V 14/025;
F21V 21/145; F21V 21/406; F21V
21/0965; F21V 5/006; F21V 14/065;
F21V 7/0075; F21V 9/083; F21V 13/045;
F21V 21/0925; F21L 4/005; F21L 4/027;
F21L 4/00; F21L 2/00; F21L 4/085; F21L
15/02; F21L 4/04; F21L 4/045
See application file for complete search history.

(57) **CLAIM**

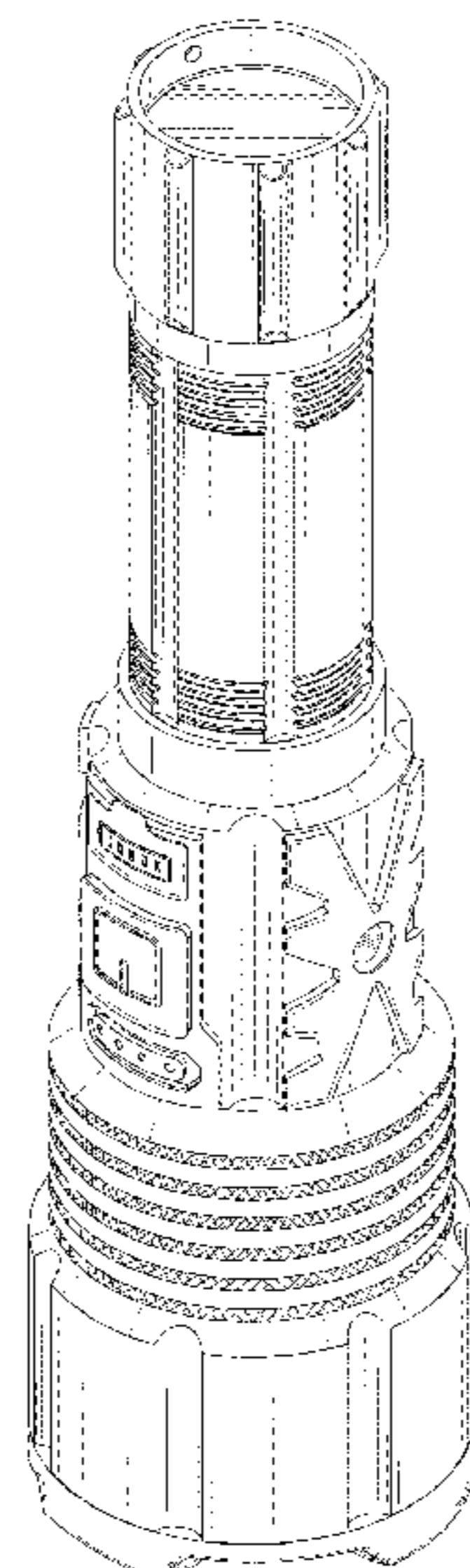
The ornamental design for a flashlight, as shown and described.

DESCRIPTION

FIG. 1 is a perspective view of a flashlight showing my new design;
FIG. 2 is a front view thereof;
FIG. 3 is a rear view thereof;
FIG. 4 is a right side view thereof;
FIG. 5 is a left side view thereof;
FIG. 6 is a top view thereof; and,
FIG. 7 is a bottom view thereof.
The broken lines in the drawings depict portions of the flashlight that form no part of the claimed design.

(56) **References Cited**
U.S. PATENT DOCUMENTS
D488,877 S 4/2004 Shin
D595,439 S 6/2009 Haight et al.
D683,877 S 6/2013 Brands et al.
D709,234 S * 7/2014 Inskeep D26/49
D716,984 S * 11/2014 Inskeep D26/49
D719,694 S * 12/2014 Nawaz D22/117
D745,987 S * 12/2015 Nawaz D22/117
D769,496 S * 10/2016 Inskeep D26/49

1 Claim, 6 Drawing Sheets



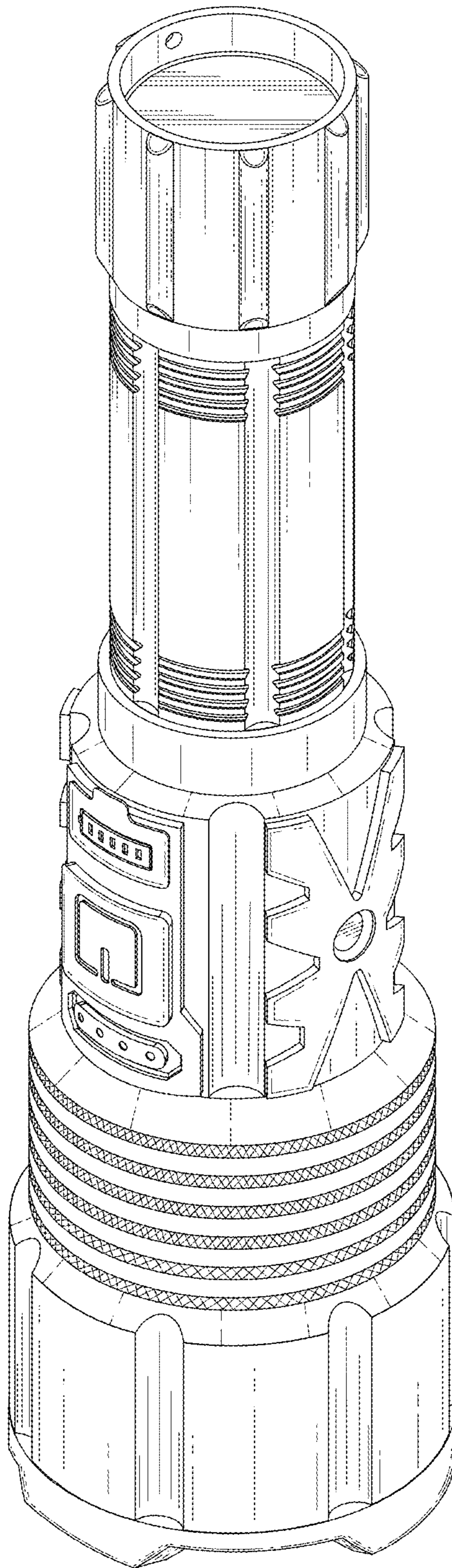


FIG. 1

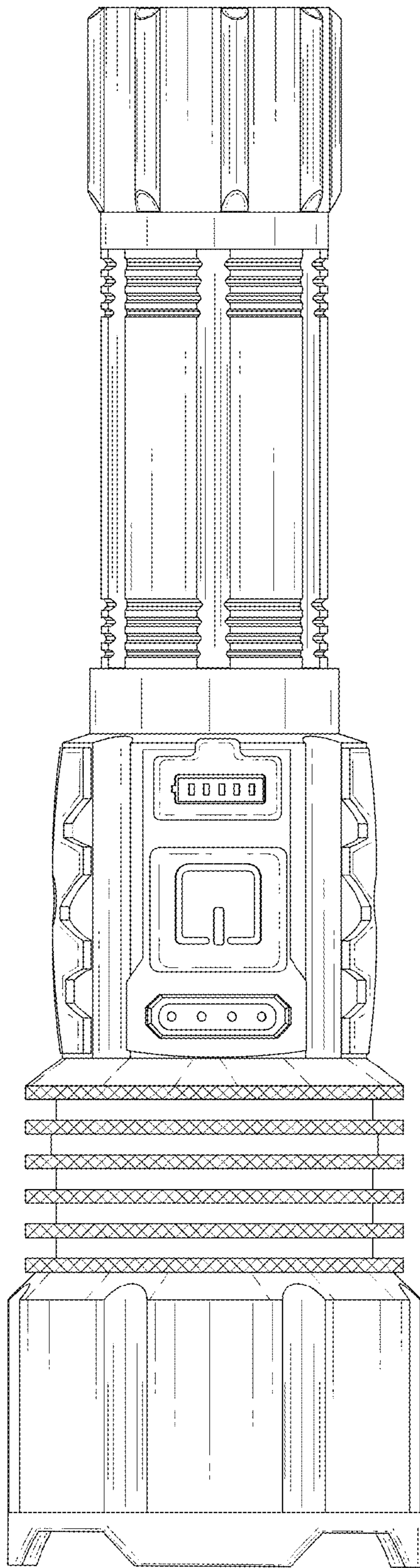


FIG. 2

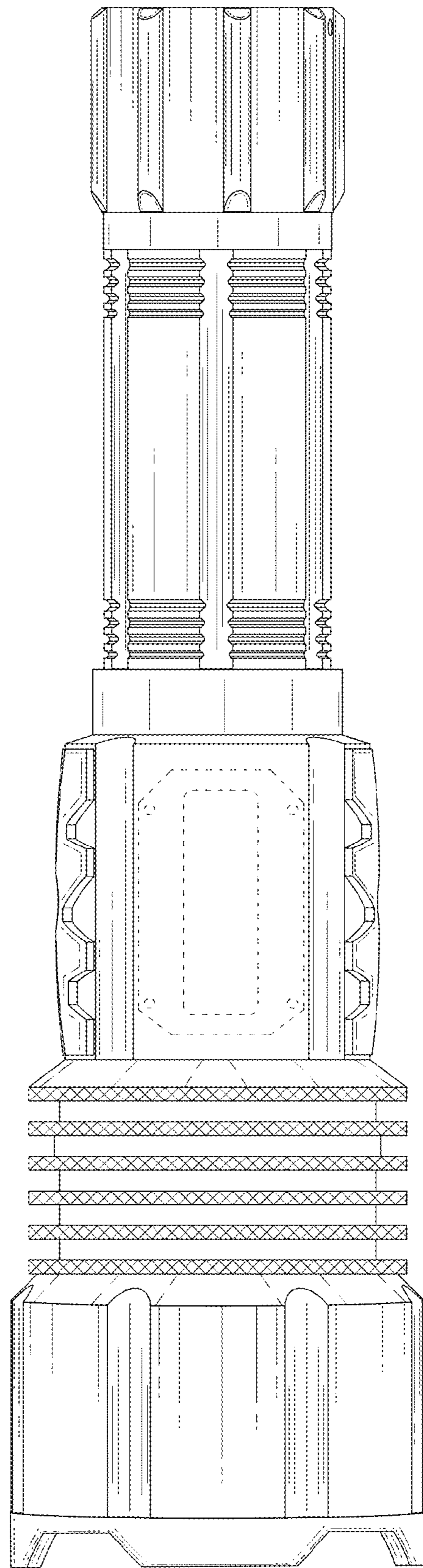


FIG. 3

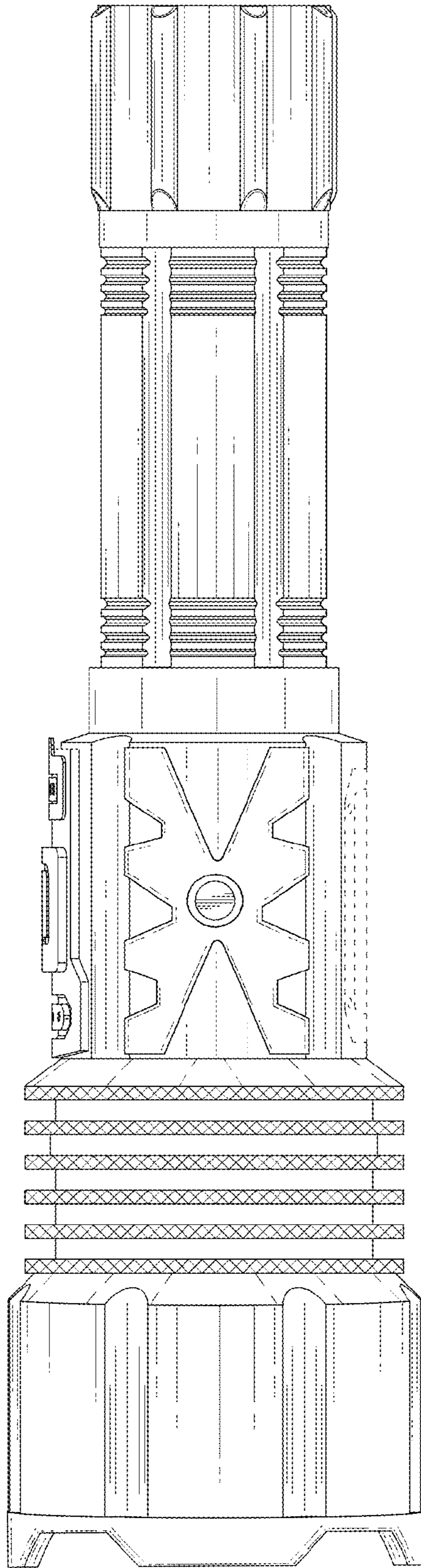


FIG. 4

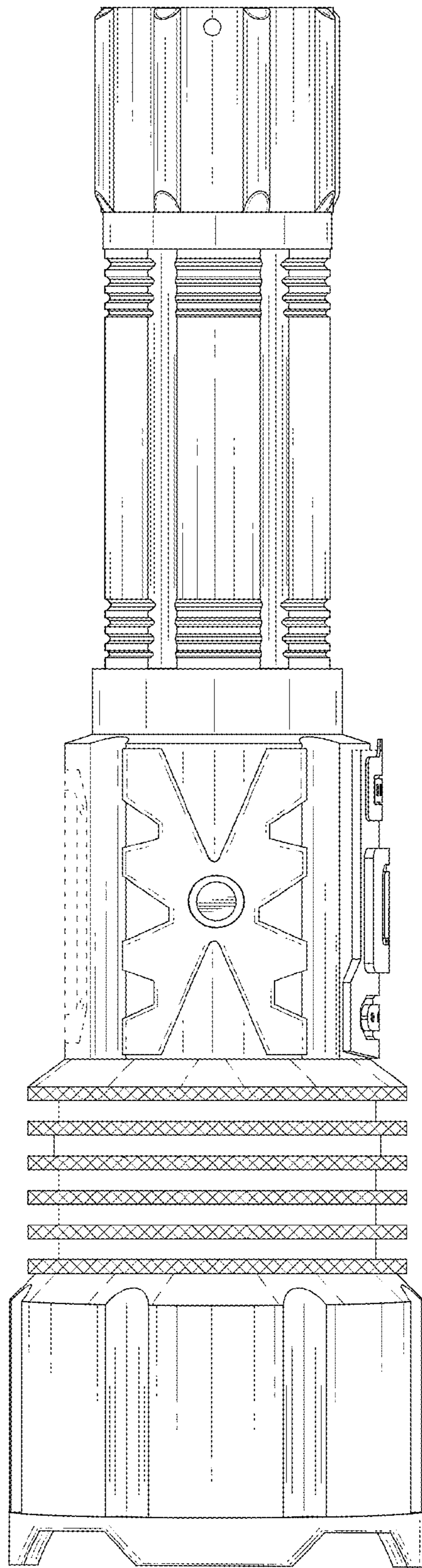


FIG. 5

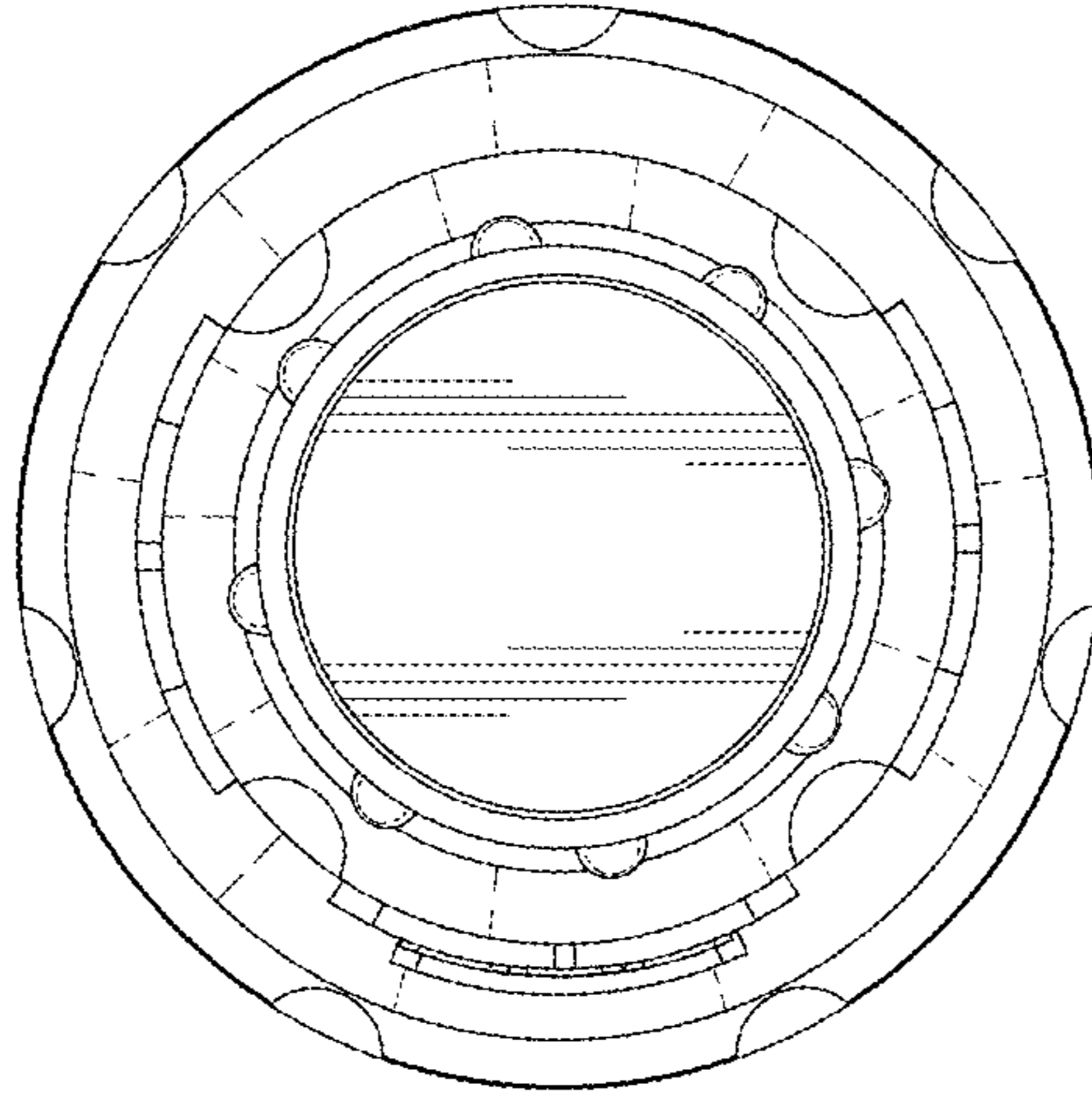


FIG. 6

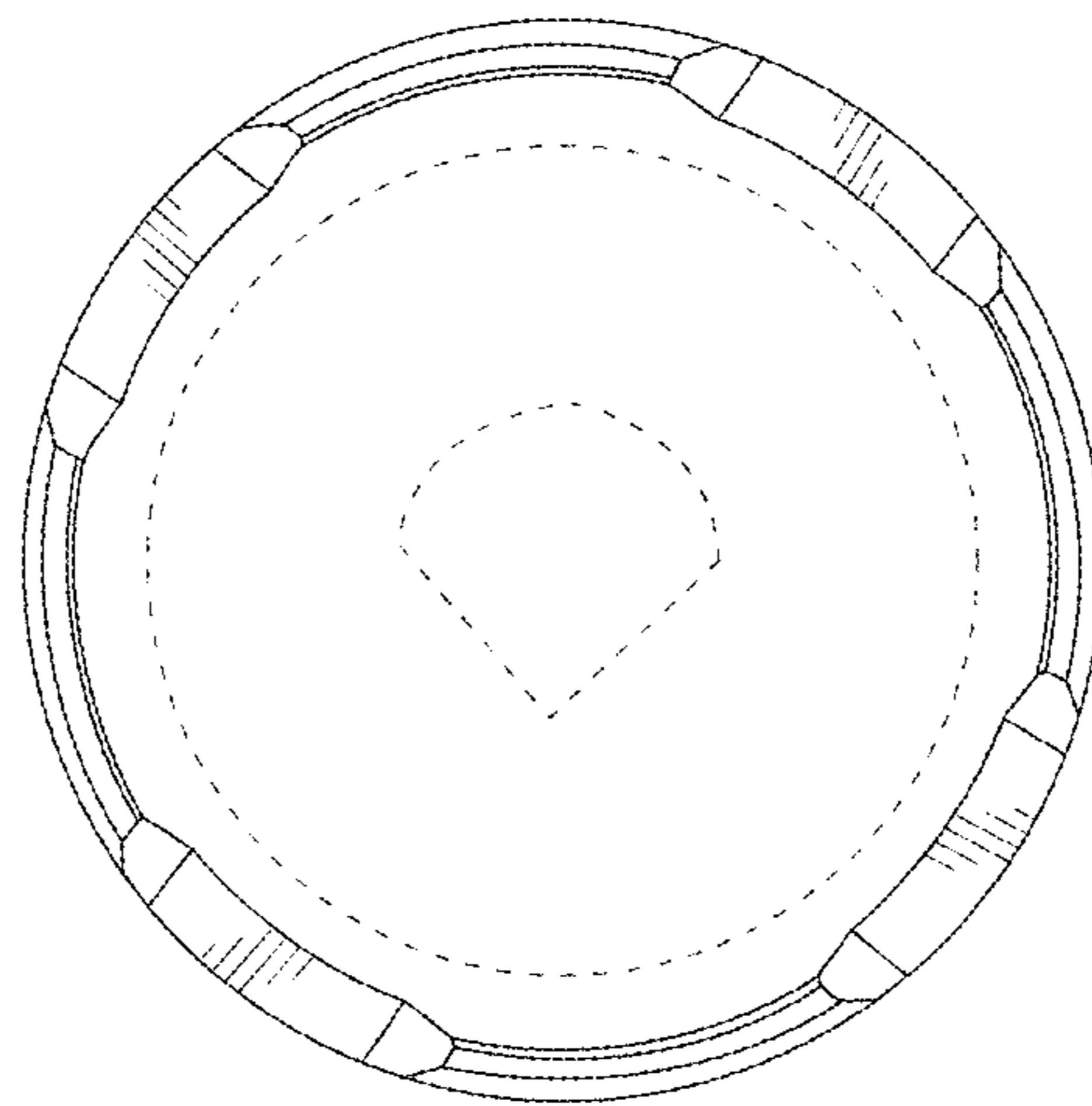


FIG. 7