



US00D983430S

(12) **United States Design Patent**
Liu

(10) **Patent No.:** **US D983,430 S**
(45) **Date of Patent:** **** Apr. 11, 2023**

(54) **FLASHLIGHT**

(71) Applicant: **Guangwu Liu**, Changde (CN)

(72) Inventor: **Guangwu Liu**, Changde (CN)

(73) Assignee: **Shenzhen Baoxi Technology Co., Ltd.**,
Shenzhen (CN)

(**) Term: **15 Years**

(21) Appl. No.: **29/801,709**

(22) Filed: **Jul. 30, 2021**

(51) **LOC (14) Cl.** **26-02**

(52) **U.S. Cl.**
USPC **D26/49**

(58) **Field of Classification Search**
USPC D26/8, 37-44, 46-52, 60-61;
D10/111-115
CPC . F21L 2001/00; F21L 4/02; F21L 4/04; F21L
4/005; F21L 4/022; F21L 4/045; F21L
4/085; F21L 21/00; F21L 14/02; F21L
14/023
See application file for complete search history.

(56) **References Cited**

U.S. PATENT DOCUMENTS

D608,033	S	*	1/2010	Hesse	D26/37
D683,877	S	*	6/2013	Brands	D26/49
D685,940	S	*	7/2013	Lee	D26/49
D698,961	S	*	2/2014	Dalton	D26/49
D710,526	S	*	8/2014	Lee	D26/49
D719,694	S	*	12/2014	Nawaz	D22/117
D724,247	S	*	3/2015	Chouprinov	D22/117
D745,987	S	*	12/2015	Nawaz	D22/117
D751,742	S		3/2016	Widom et al.		
D774,230	S	*	12/2016	Prieto	D26/49
D788,965	S	*	6/2017	Roshak	D26/63
D803,445	S	*	11/2017	Inskeep	D26/49
D810,337	S	*	2/2018	Eichelberger	D26/49
D814,088	S	*	3/2018	Cao	D26/49

D828,940 S 9/2018 Qiu
D833,051 S 11/2018 Qiu
D844,874 S * 4/2019 Eichelberger D26/49
(Continued)

FOREIGN PATENT DOCUMENTS

CN 305761272 * 5/2020
CN 306310477 * 2/2021
(Continued)

OTHER PUBLICATIONS

“Sightmark Triple Duty Tactical Flashlight,” Jan. 1, 2008, amazon.com, site visited Jul. 21, 2022, URL: <https://www.amazon.com/Sightmark-Triple-Duty-Tactical-Flashlight/dp/B00274DB6C?th=1> (Year: 2008).*

(Continued)

Primary Examiner — Christy Nemeth
Assistant Examiner — Sarah L Smith
(74) *Attorney, Agent, or Firm* — Nitin Kaushik

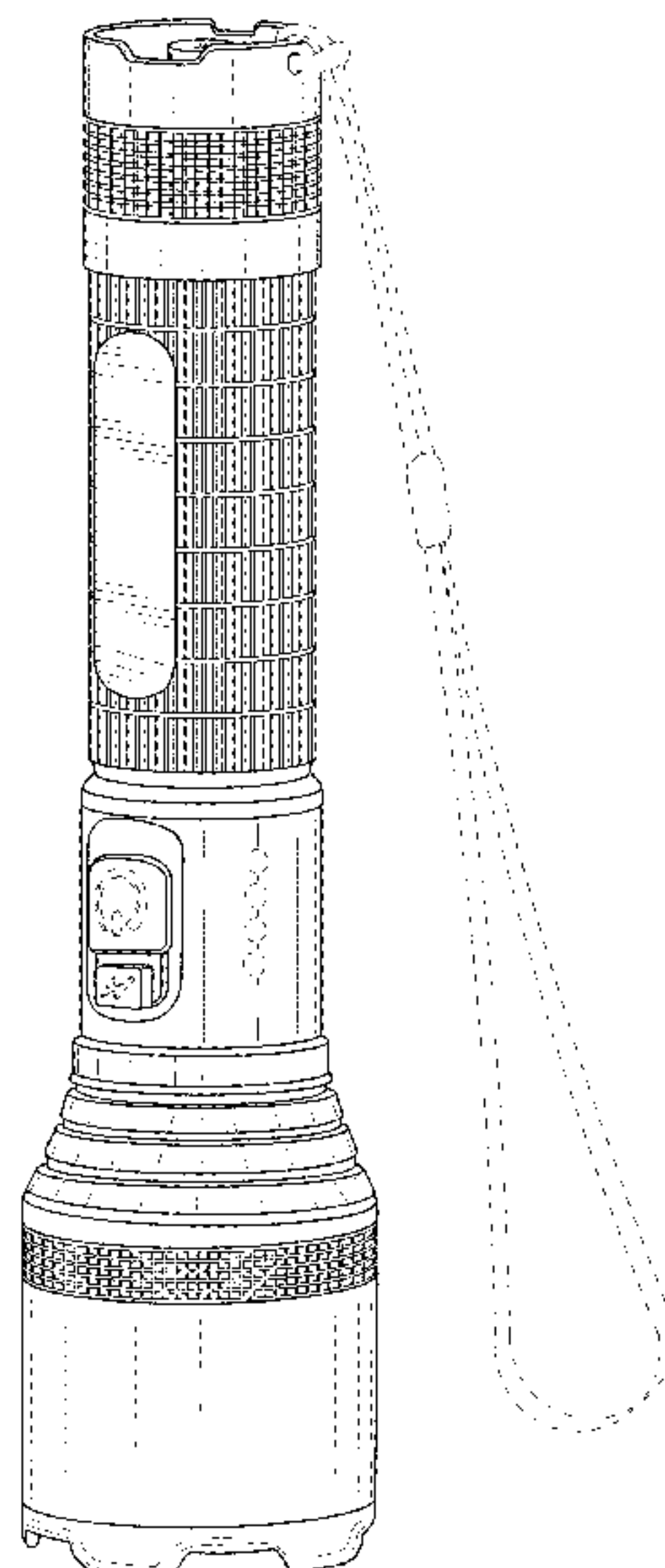
(57) **CLAIM**

The ornamental design for a flashlight, as shown and described.

DESCRIPTION

FIG. 1 is a perspective view of a flashlight showing my new design;
FIG. 2 is a front view thereof;
FIG. 3 is a rear view thereof;
FIG. 4 is a right side view thereof;
FIG. 5 is a left side view thereof;
FIG. 6 is a top view thereof;
FIG. 7 is a bottom view thereof; and,
FIG. 8 is perspective view of the flashlight in an expanded state showing a charging port.
The broken lines in the drawings depict portions of the flashlights that form no part of the claimed design.

1 Claim, 7 Drawing Sheets



(56)

References Cited

U.S. PATENT DOCUMENTS

D861,216 S * 9/2019 Li D26/49
 D877,379 S * 3/2020 Qiu D26/49
 D884,233 S * 5/2020 Petrucelli D26/38
 D889,011 S * 6/2020 Hong D26/49
 D897,578 S * 9/2020 Le D26/37
 D897,580 S * 9/2020 Qiu D26/49
 D898,966 S * 10/2020 Qiu D26/49
 D905,885 S * 12/2020 Kotsis D26/49
 D907,826 S * 1/2021 Christensen D26/49
 D908,261 S * 1/2021 Christensen D26/49
 D964,617 S * 9/2022 Ma D26/37
 D968,000 S * 10/2022 Liu D26/49
 D972,758 S * 12/2022 Ma D26/49
 2012/0275143 A1 * 11/2012 Robinson F21L 4/005
 362/184
 2013/0050993 A1 * 2/2013 Campman F21L 4/005
 362/102
 2021/0108891 A1 * 4/2021 Ma F41G 11/003

FOREIGN PATENT DOCUMENTS

CN 306715615 * 7/2021
 DE 202017102287 U1 * 8/2017
 EP 2894390 A1 * 7/2015 F21L 4/005
 WO WO-2021154975 A1 * 8/2021 F21L 4/08

OTHER PUBLICATIONS

“Fakeme 1 Piece 3LED Flexible Torch Flashlight,” Jun. 15, 2018, amazon.com, site visited Jul. 21, 2022, URL: <https://www.amazon.com/FAKEME-Piece-Flexible-Flashlight-Diameter/dp/B0B26SDPB5> (Year: 2018).
 “Energizer LED Tactical Metal Flashlight,” Sep. 5, 2018, amazon.ca, site visited Jul. 21, 2022, URL: <https://www.amazon.ca/Energizer-Tactical-Flashlight-Batteries-Included/dp/B07DPS8B27?th=1> (Year: 2018).*

* cited by examiner

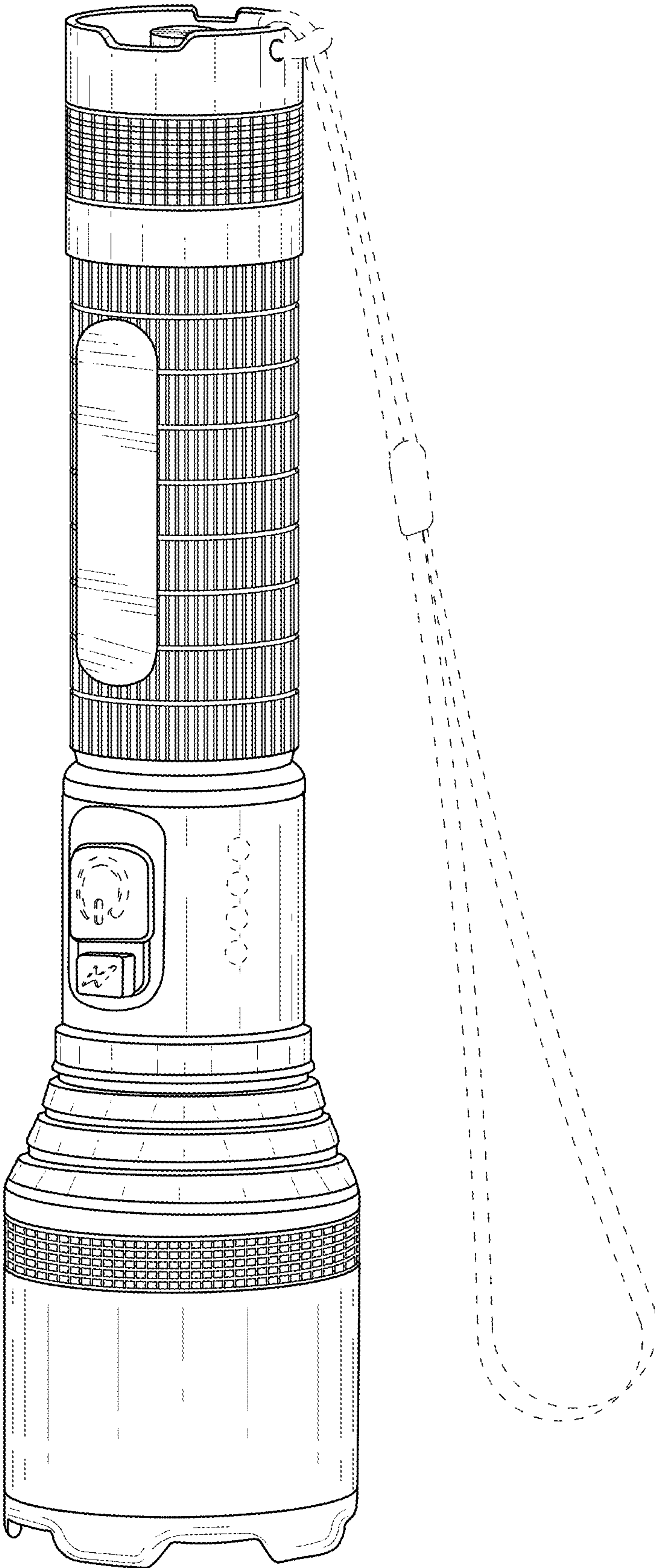


FIG. 1

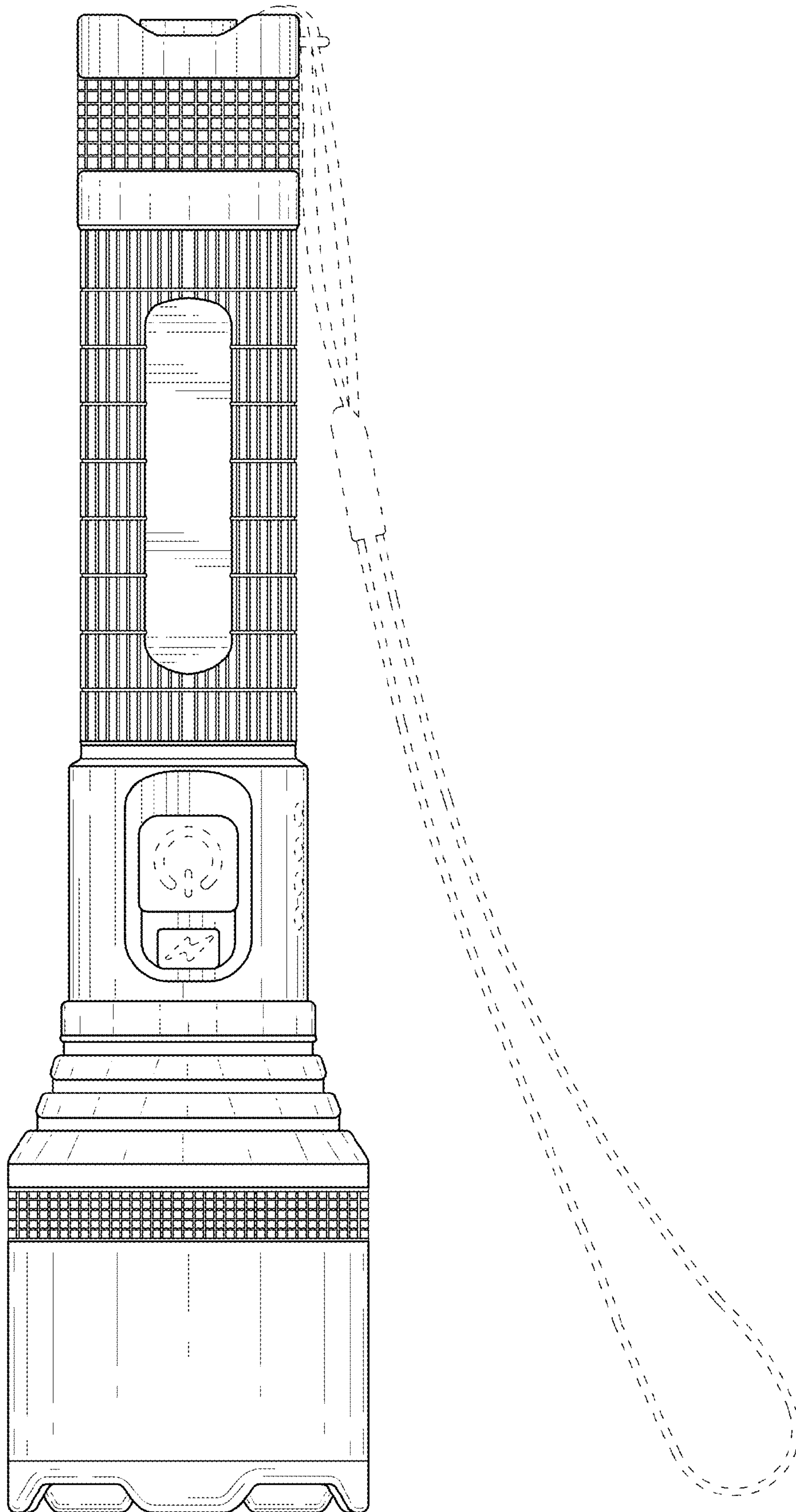


FIG. 2

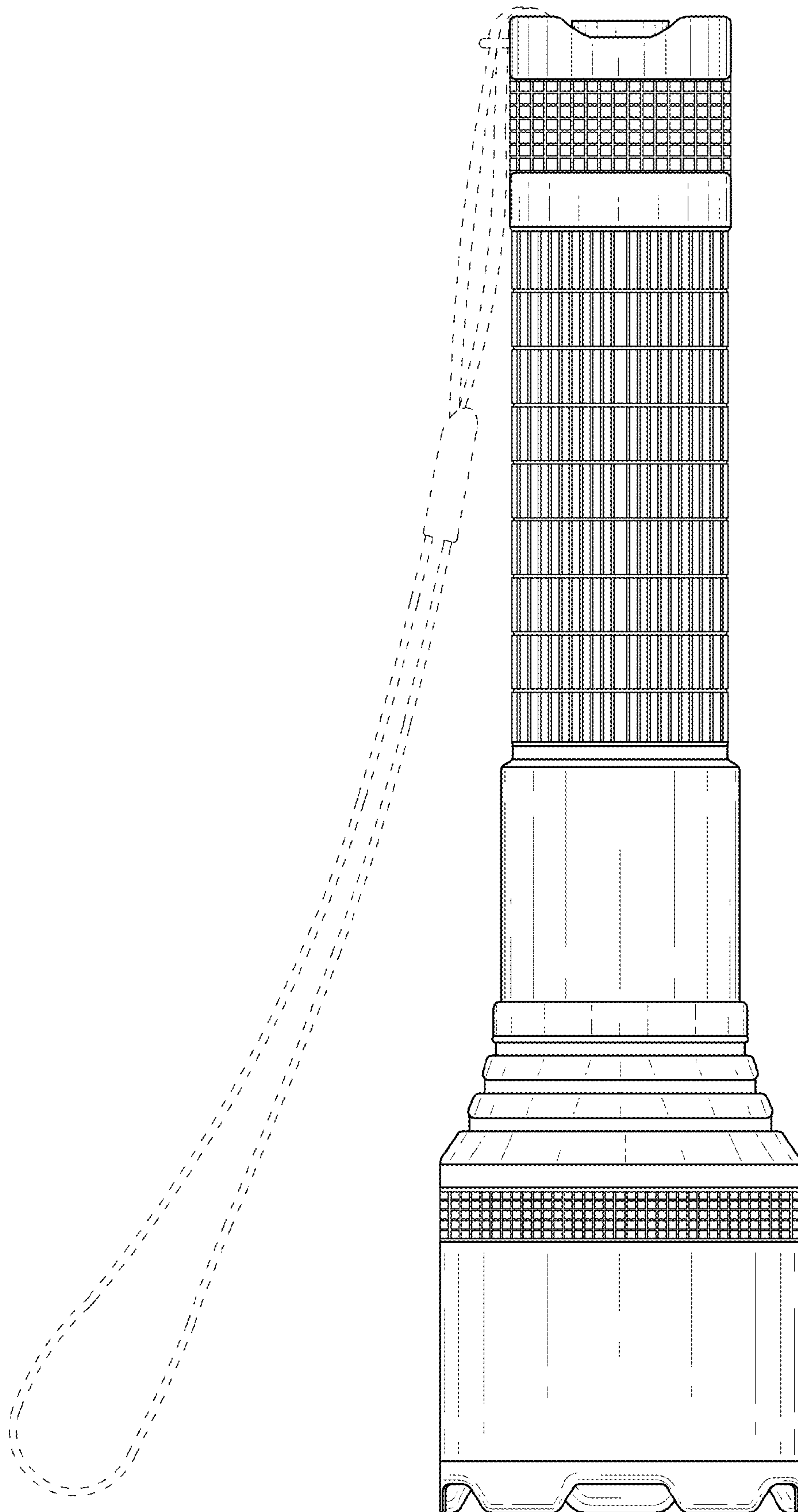


FIG. 3

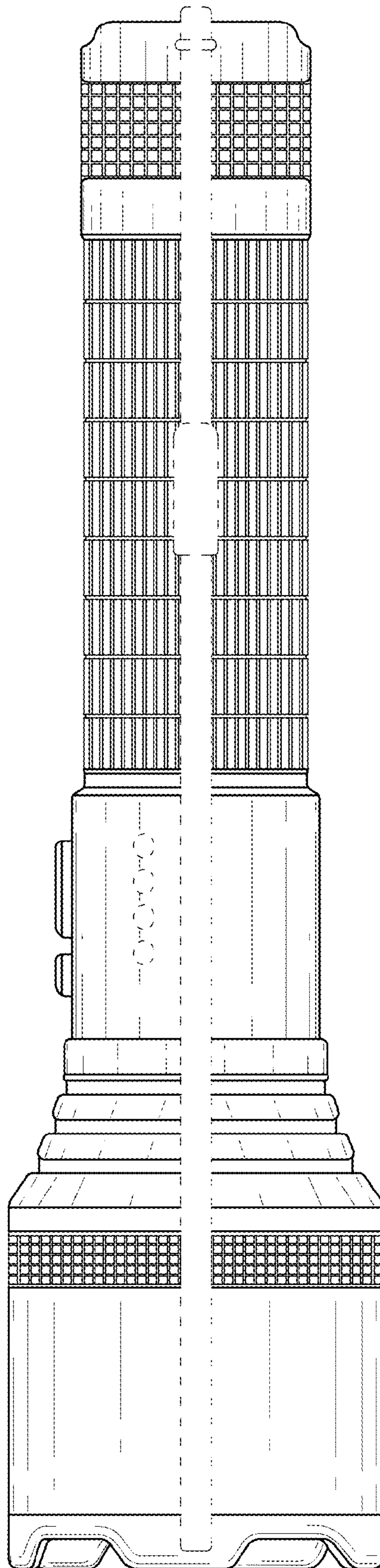


FIG. 4

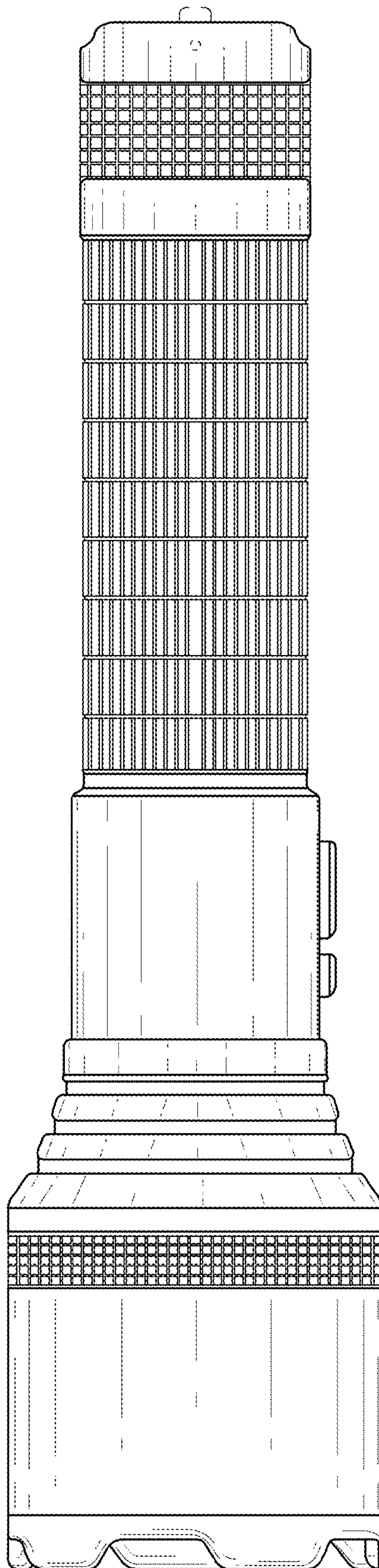


FIG. 5

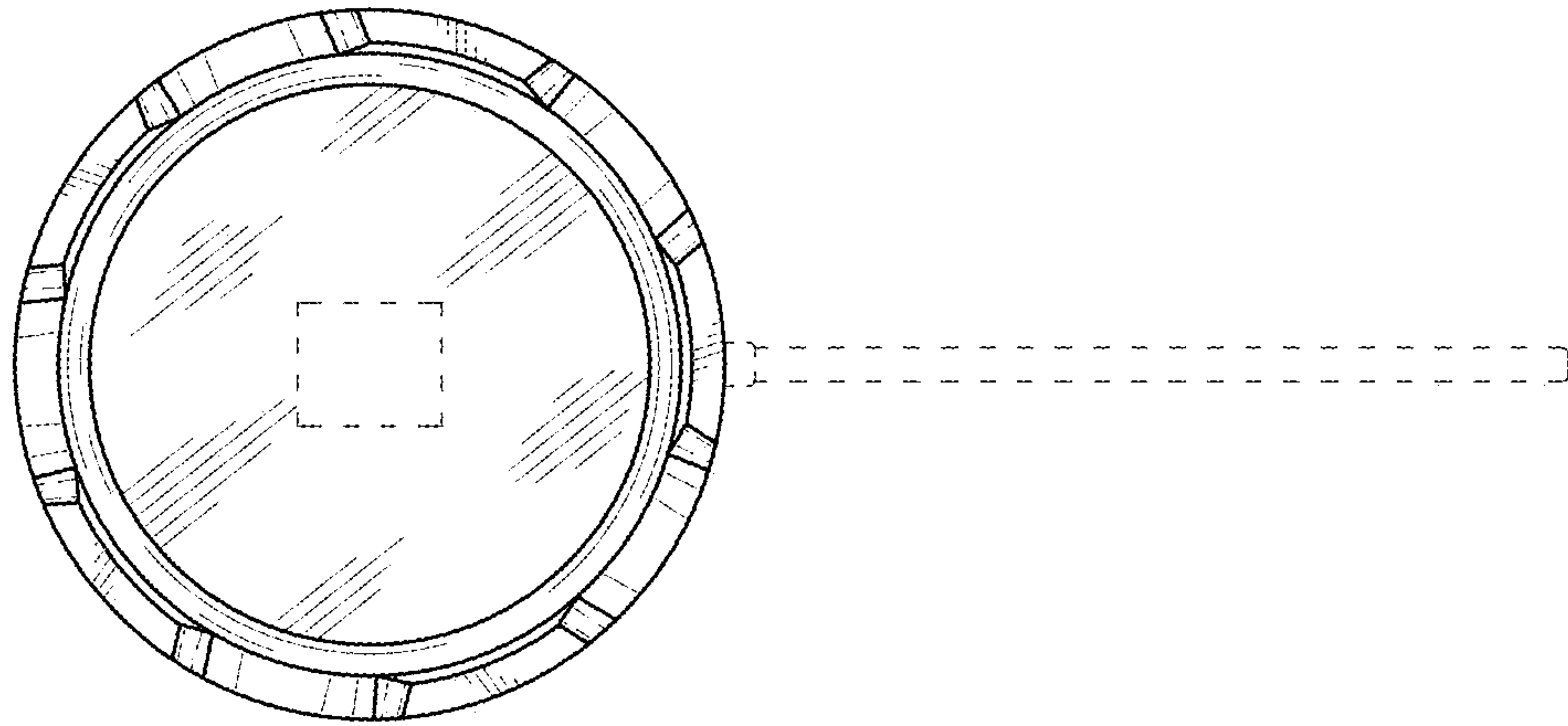


FIG. 6

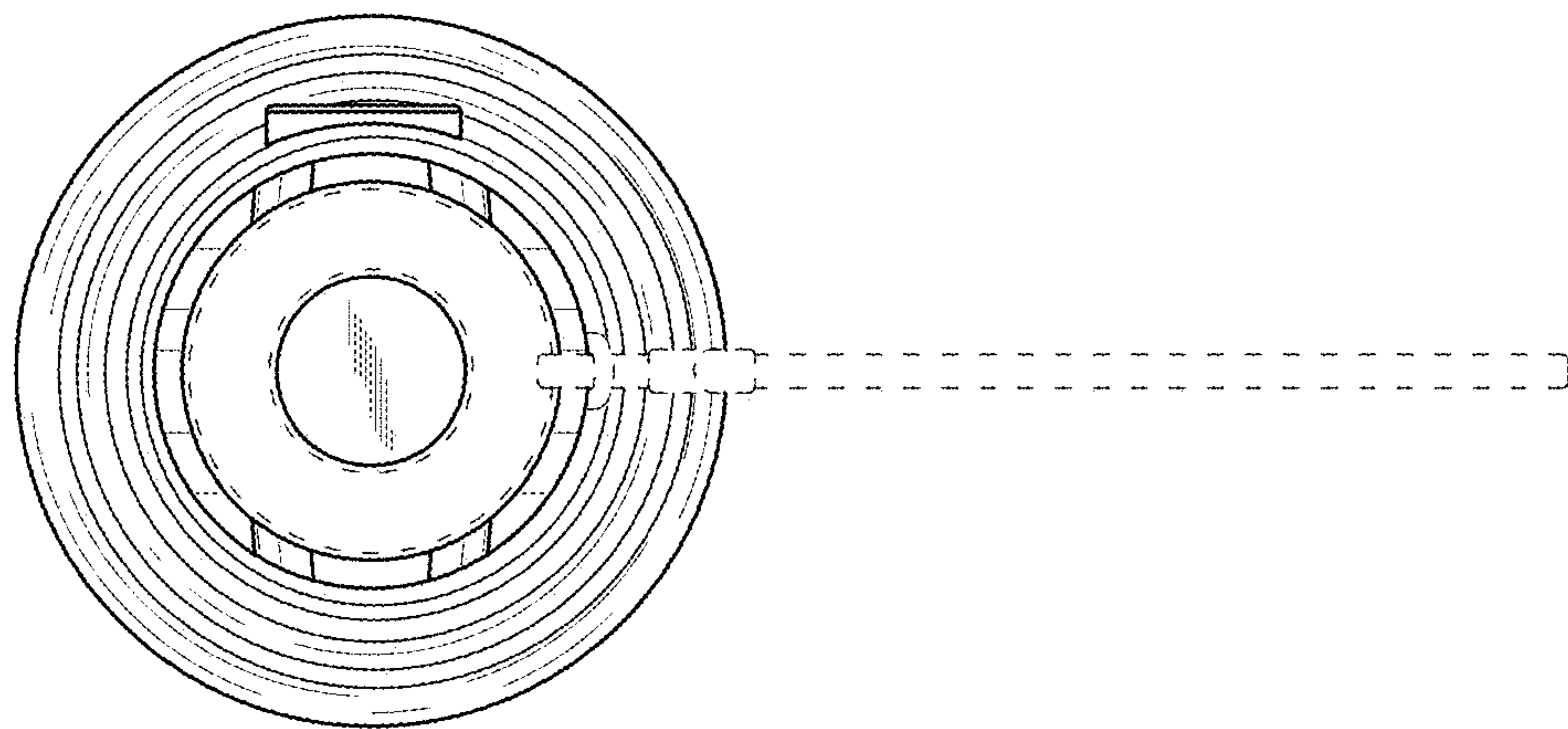


FIG. 7

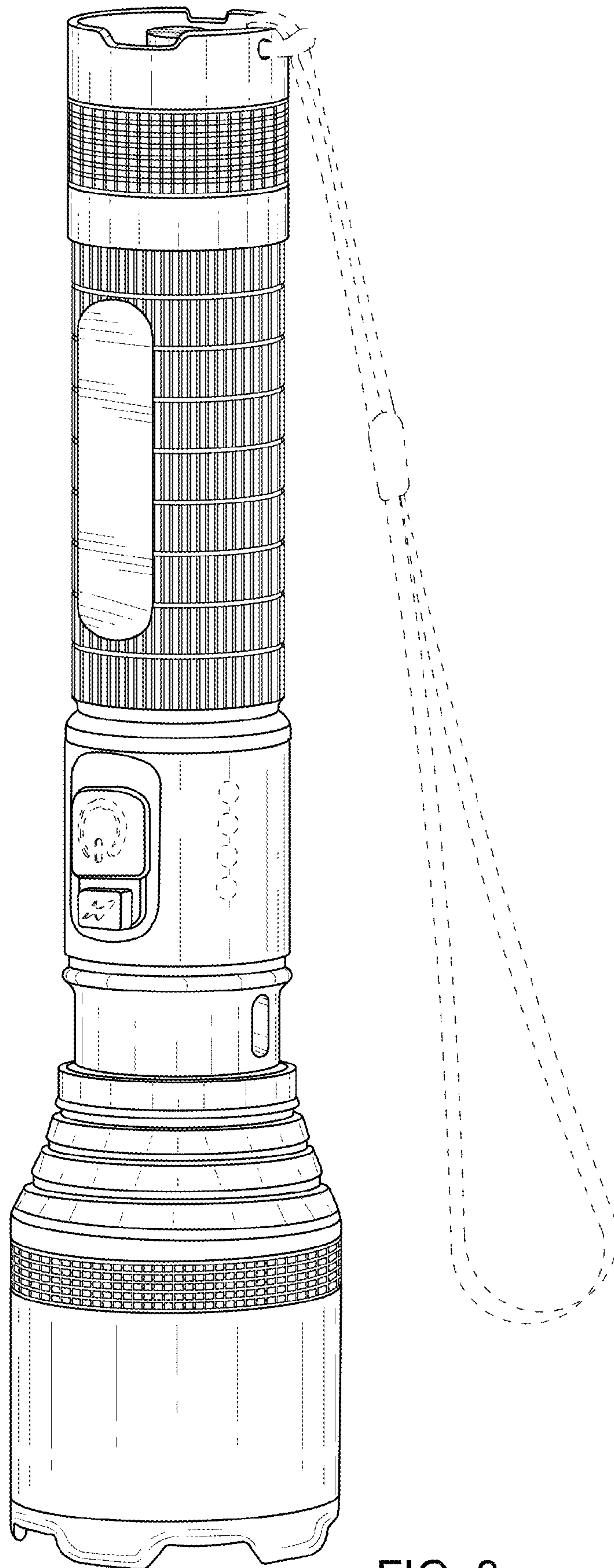


FIG. 8