



US00D983429S

(12) **United States Design Patent**
Mei

(10) **Patent No.:** **US D983,429 S**

(45) **Date of Patent:** **** Apr. 11, 2023**

- (54) **WORK LIGHT**
- (71) Applicant: **Jinyong Mei**, Zhejiang (CN)
- (72) Inventor: **Jinyong Mei**, Zhejiang (CN)
- (73) Assignee: **Ningbo Messi Lighting Electric Co., Ltd.**, Zhejiang (CN)
- (**) Term: **15 Years**
- (21) Appl. No.: **29/752,103**
- (22) Filed: **Sep. 24, 2020**
- (51) **LOC (14) Cl.** **26-02**
- (52) **U.S. Cl.**
USPC **D26/42**
- (58) **Field of Classification Search**
USPC D26/24, 37-52, 60-61, 113, 138
CPC F21Y 2115/10; F21Y 2103/10; F21Y 2105/10; F21Y 2101/00; F21Y 2113/00; F21V 21/08; F21V 21/406; F21V 21/0965; F21V 21/0885; F21V 27/005; F21V 21/145; F21V 23/0414; F21V 15/01; F21V 14/025; F21V 5/006; F21V 14/045; F21V 21/0925; F21V 21/14; F21V 9/083; F21L 14/023; F21L 4/00; F21L 4/08; F21L 4/04; F21L 14/02; F21L 4/02; F21L 4/027; F21L 14/00; F21L 4/045; F21L 4/085; F21W 2111/10
See application file for complete search history.

8,905,572	B2 *	12/2014	Mueckl	F21V 21/06	362/186
D737,488	S *	8/2015	Chen	D26/42	
D739,063	S *	9/2015	Su	D26/42	
D742,568	S *	11/2015	Abernethy	D26/42	
D757,973	S *	5/2016	Zhang	D26/44	
D799,096	S *	10/2017	Bao	D26/65	
D850,684	S *	6/2019	Zhang	D26/44	
D943,132	S *	2/2022	Eichelberger	D26/44	
2013/0258649	A1 *	10/2013	Mueckl	F21V 21/06	362/217.12
2016/0356439	A1 *	12/2016	Inskeep	F21L 4/08	
2017/0138587	A1 *	5/2017	Lu	F21V 33/0064	
2019/0331306	A1 *	10/2019	Westling	F21V 5/006	

* cited by examiner

Primary Examiner — Marissa J Cash
Assistant Examiner — William B Melliar

(57) **CLAIM**

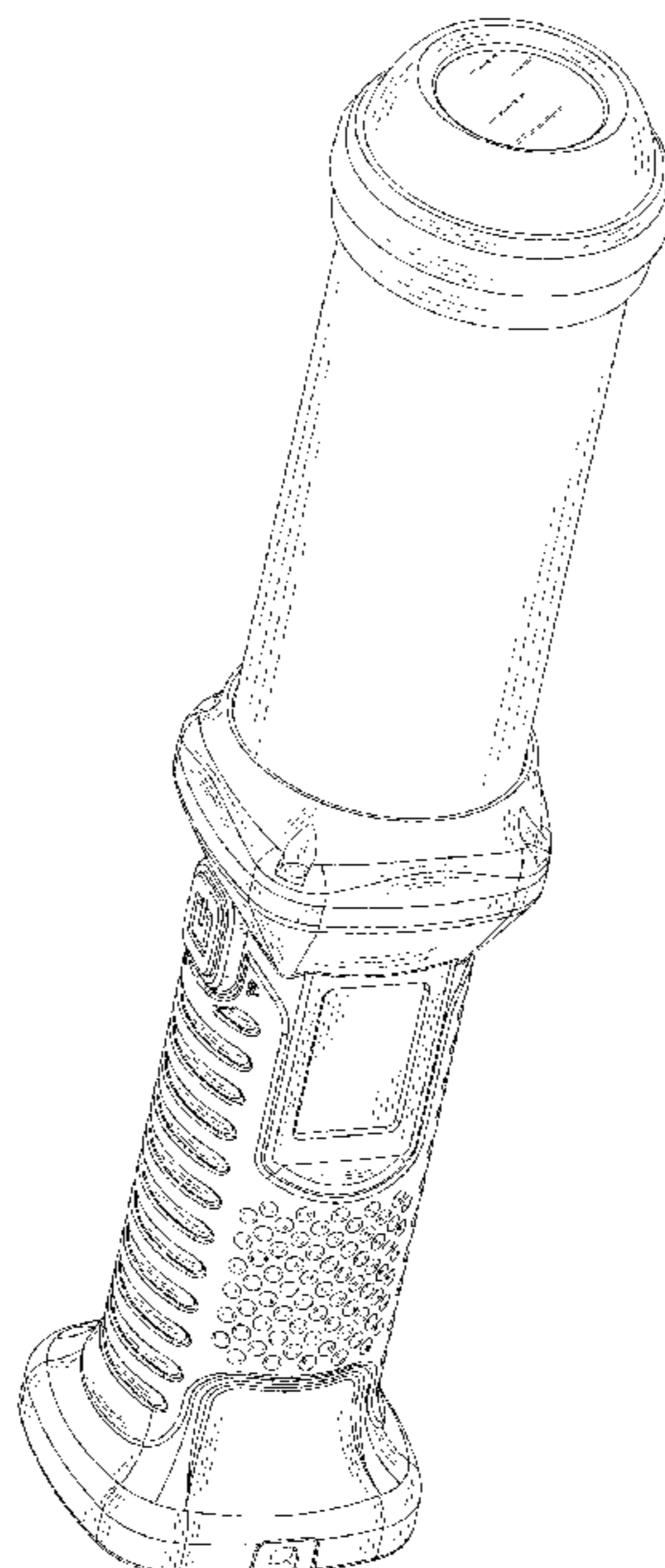
The ornamental design for a work light, as shown and described.

DESCRIPTION

FIG. 1 is a perspective view of a work light showing my new design;
 FIG. 2 is a front elevation view thereof;
 FIG. 3 is a rear elevation view thereof;
 FIG. 4 is a left side elevation view thereof;
 FIG. 5 is a right side elevation view thereof;
 FIG. 6 is a top plan view thereof;
 FIG. 7 is a bottom plan view thereof; and,
 FIG. 8 is an enlarged view of the work light taken from the circle part in FIG. 7.
 The broken lines depict portions of the work light that form no part of the claimed design. The additional broken lines shown in FIGS. 7-8 are for annotative purposes only and form no part thereof.

1 Claim, 8 Drawing Sheets

- (56) **References Cited**
U.S. PATENT DOCUMENTS
D530,843 S * 10/2006 Yamamoto D26/42
D545,469 S * 6/2007 Wikle D26/42
D656,646 S * 3/2012 Kawase D26/44



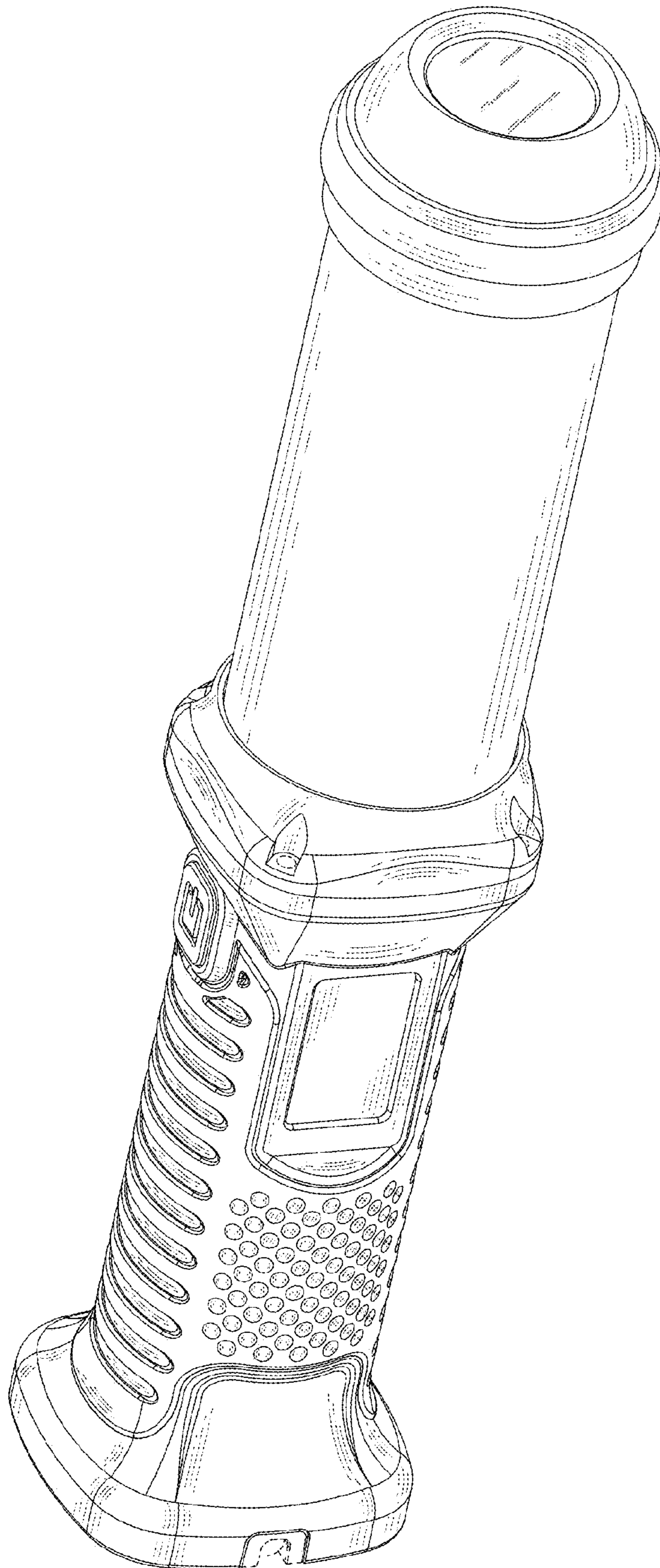


FIG. 1

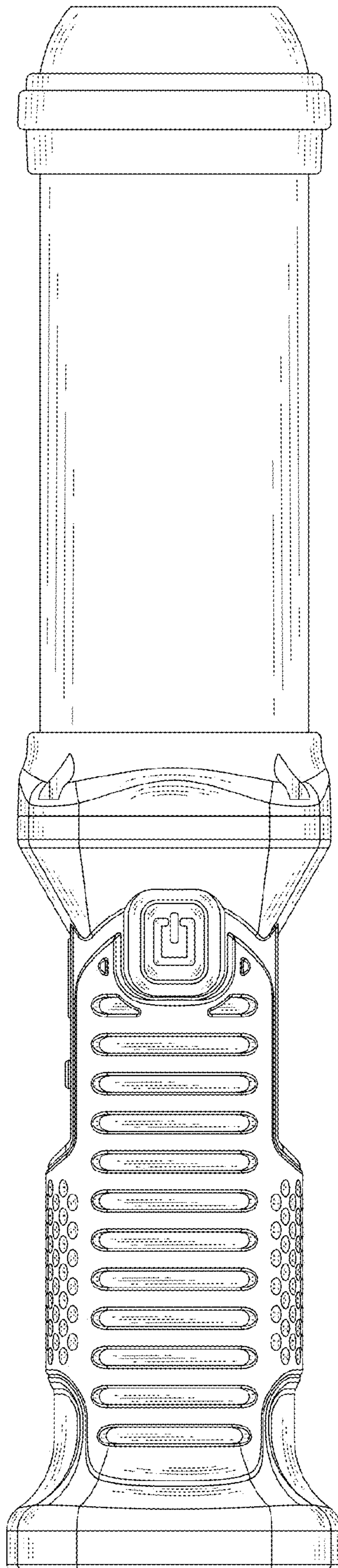


FIG. 2

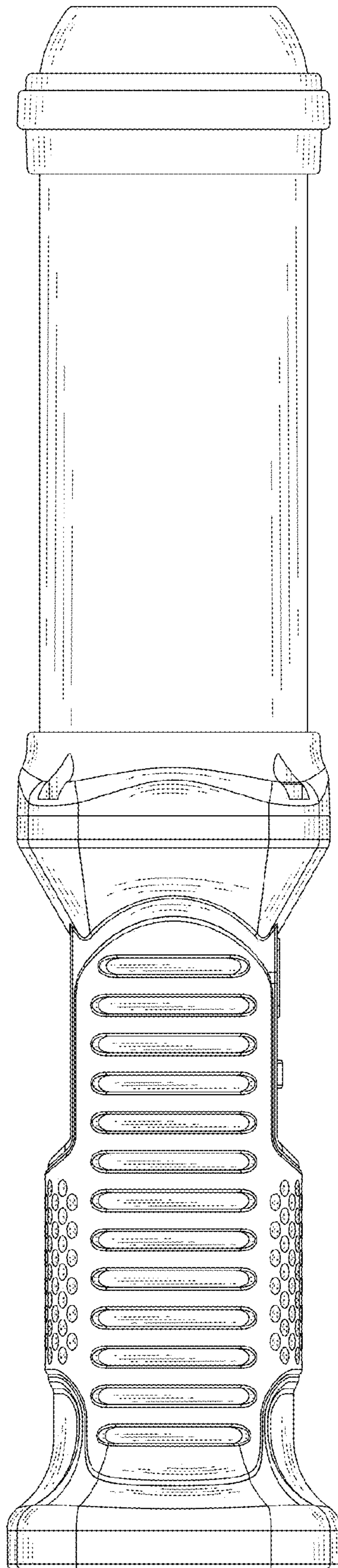


FIG. 3

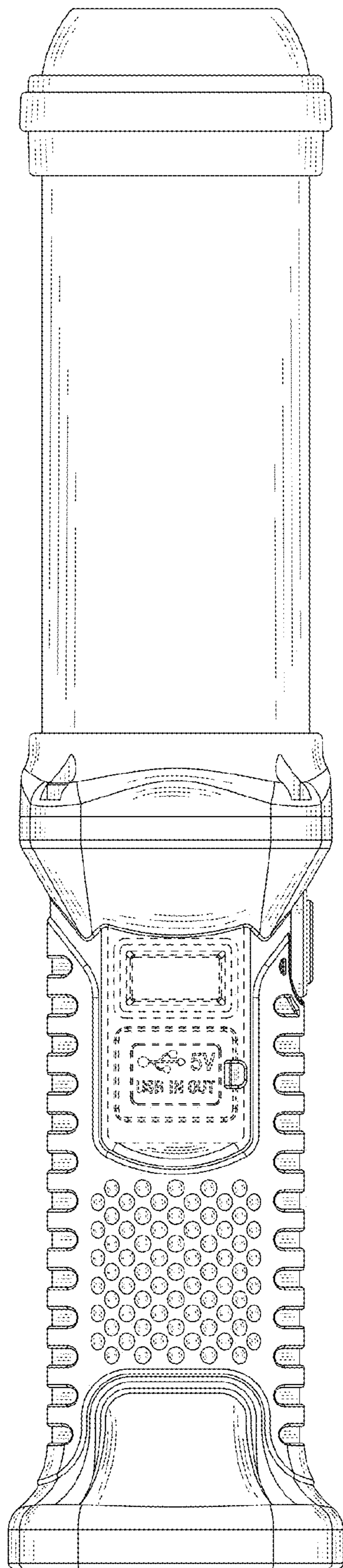


FIG. 4

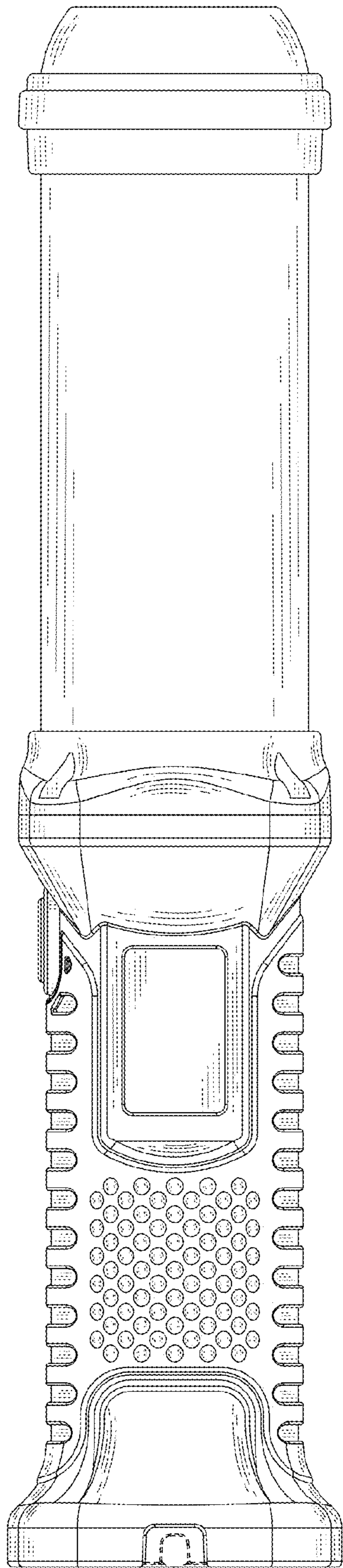


FIG. 5

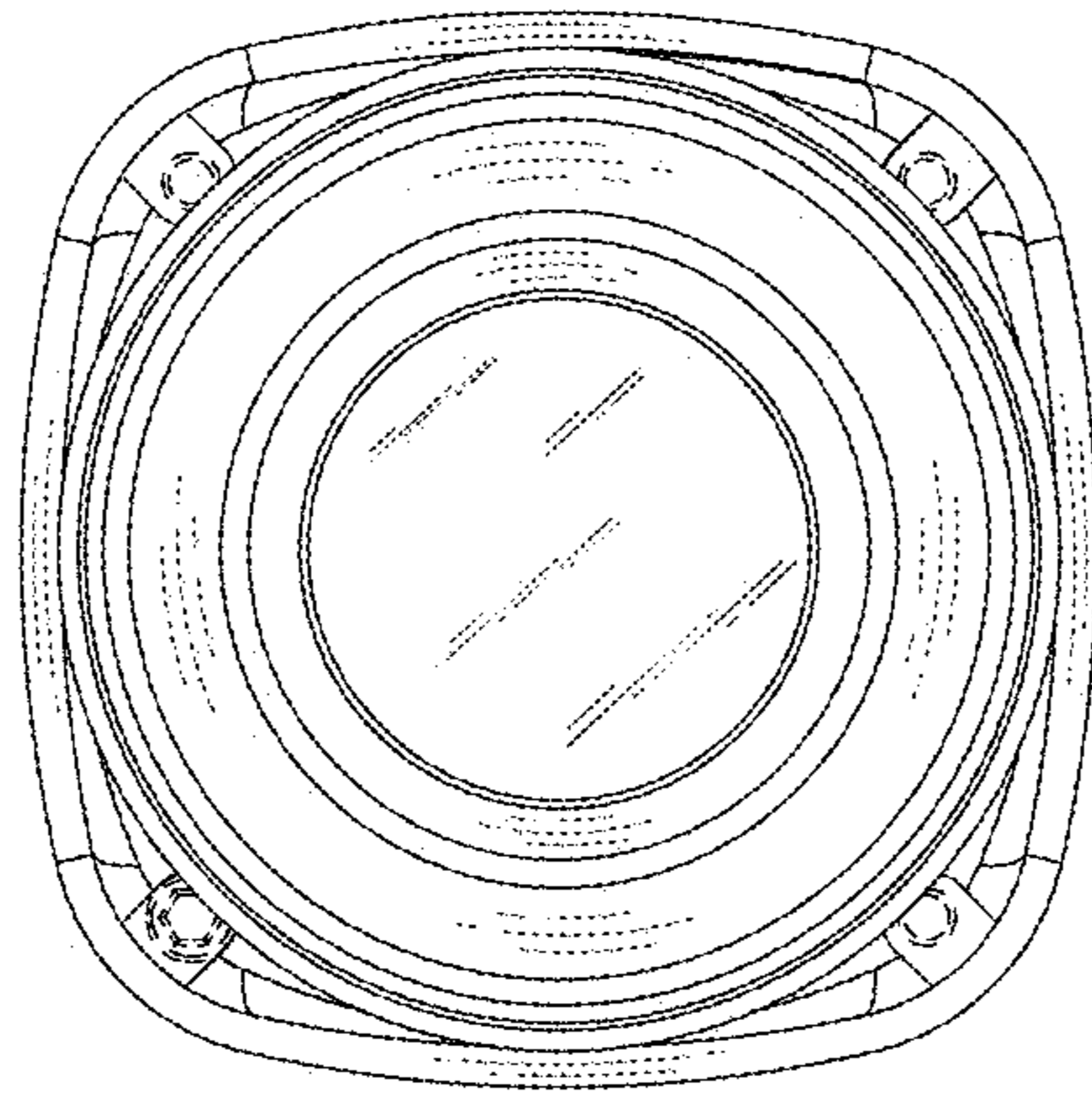


FIG. 6

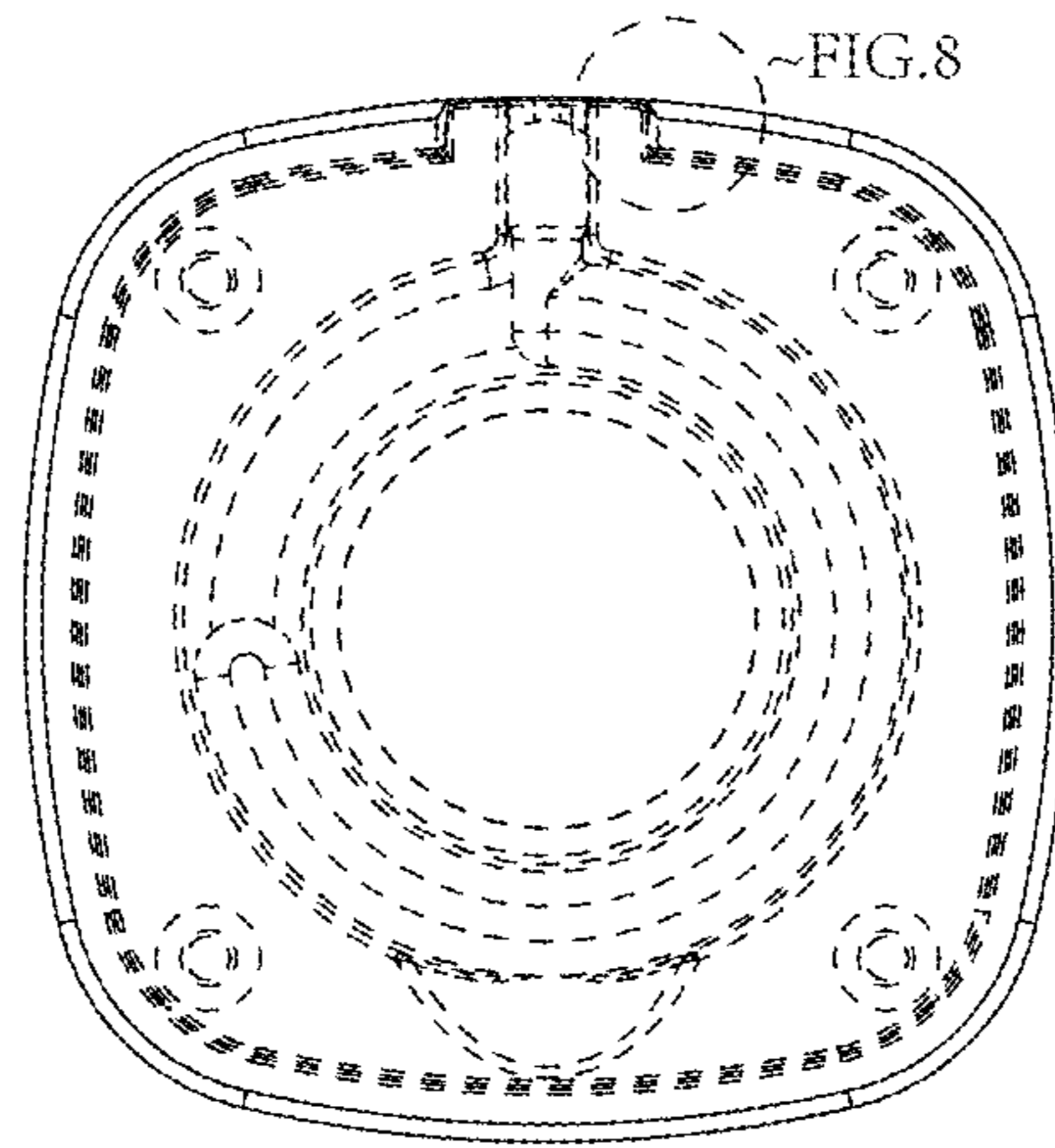


FIG. 7

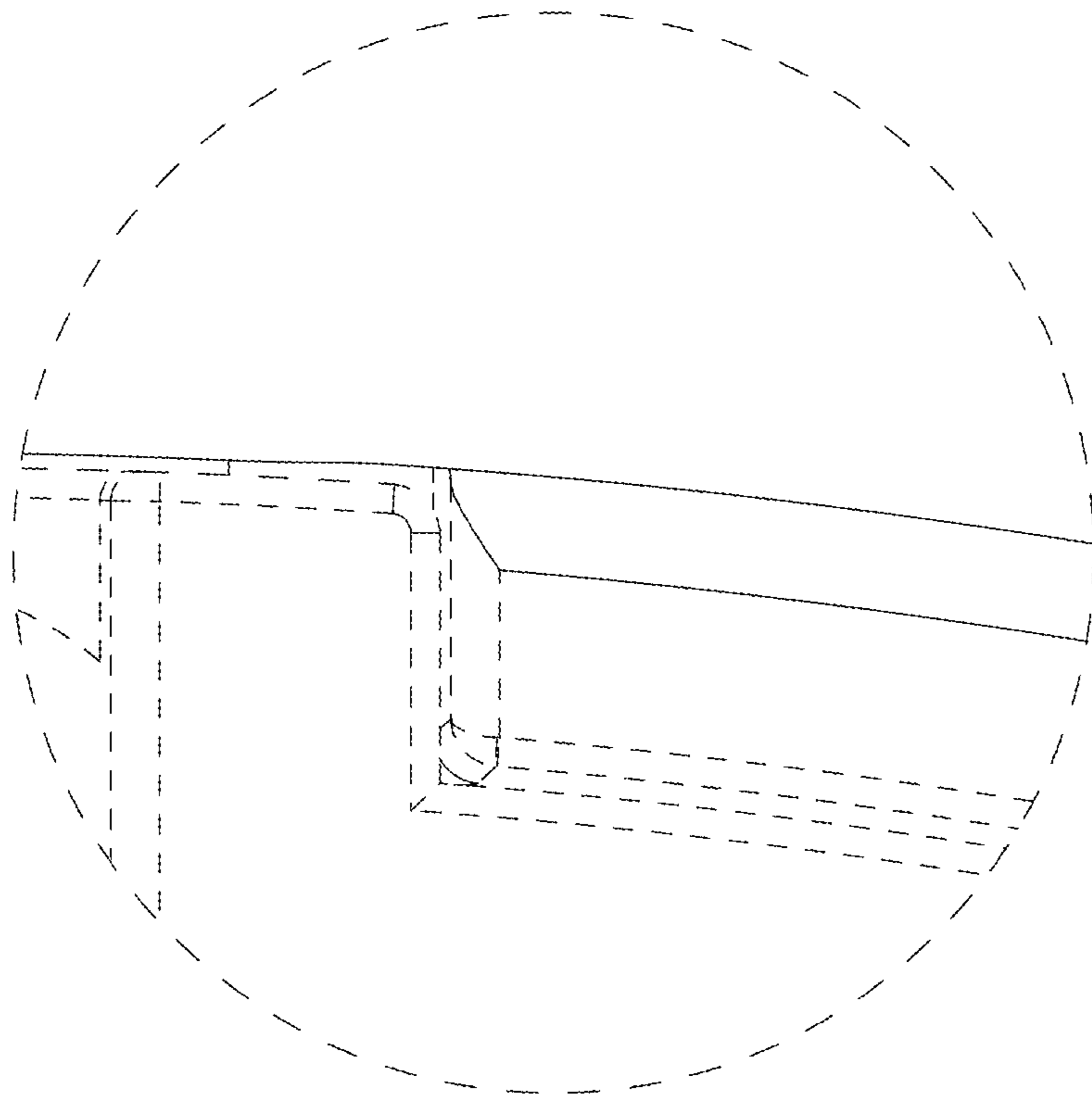


FIG. 8