



US00D983428S

(12) **United States Design Patent**
Zhang

(10) **Patent No.:** **US D983,428 S**

(45) **Date of Patent:** **** Apr. 11, 2023**

(54) **PALACE LANTERN**

D544,636 S * 6/2007 McMinn D26/118
D625,874 S * 10/2010 Sanoner D26/67
D923,837 S * 6/2021 Ye D26/40

(71) Applicant: **Donglin Zhang**, Jinniu Town (CN)

(72) Inventor: **Donglin Zhang**, Jinniu Town (CN)

(73) Assignee: **Shenzhen YuYiYuan Technology Co., Ltd**, Shenzhen (CN)

(**) Term: **15 Years**

(21) Appl. No.: **29/778,188**

(22) Filed: **Apr. 12, 2021**

(51) **LOC (14) Cl.** **26-02**

(52) **U.S. Cl.**
USPC **D26/40**

(58) **Field of Classification Search**
USPC D26/9, 22, 24, 37, 40, 41, 72, 87
CPC . F21L 15/08; F21L 17/00; F21L 19/00; F21V
35/00; F21W 2131/10; F21W 2131/30;
F21W 2131/109; F21W 2111/10; F21Y
2107/00

See application file for complete search history.

(56) **References Cited**

U.S. PATENT DOCUMENTS

D214,186 S * 5/1969 Meltzer D26/85
D217,086 S * 4/1970 Miller D22/123
D445,209 S * 7/2001 Chen D26/72
D470,265 S * 2/2003 Kuelbs D26/118

FOREIGN PATENT DOCUMENTS

CN 306842530 * 9/2021

* cited by examiner

Primary Examiner — Cary M Robinson

Assistant Examiner — Julie Marie Bailey

(74) *Attorney, Agent, or Firm* — Xuan Zhang

(57) **CLAIM**

The ornamental design for a palace lantern, as shown and described.

DESCRIPTION

FIG. 1 is a perspective view of a palace lantern showing my new design;

FIG. 2 is a front view thereof;

FIG. 3 is a rear view thereof;

FIG. 4 is a left view thereof;

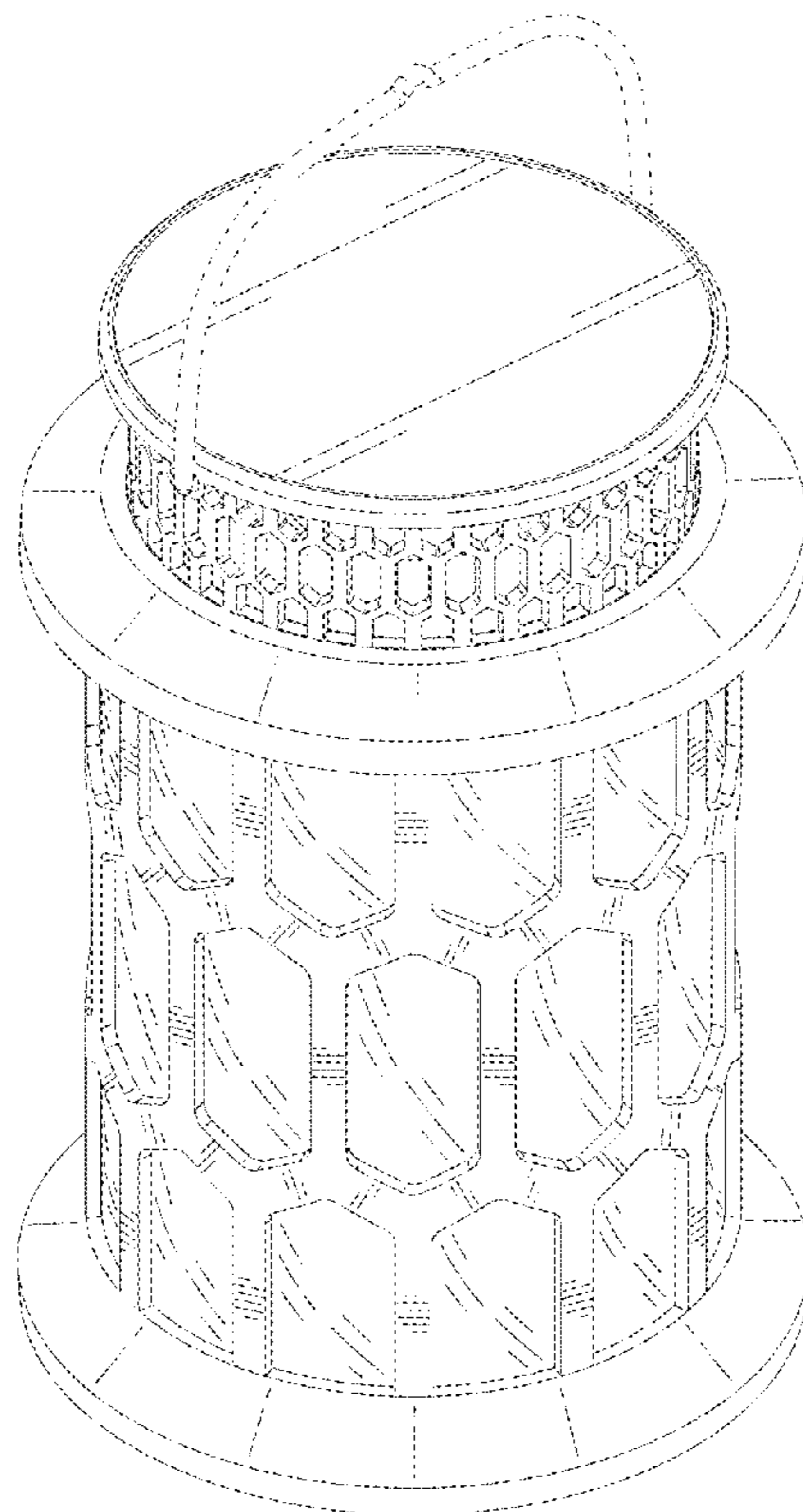
FIG. 5 is a right view thereof;

FIG. 6 is a top view thereof; and,

FIG. 7 is a bottom view thereof.

The broken lines in the drawings are included for the purpose of illustrating environmental structure and forms no part of the claimed design.

1 Claim, 7 Drawing Sheets



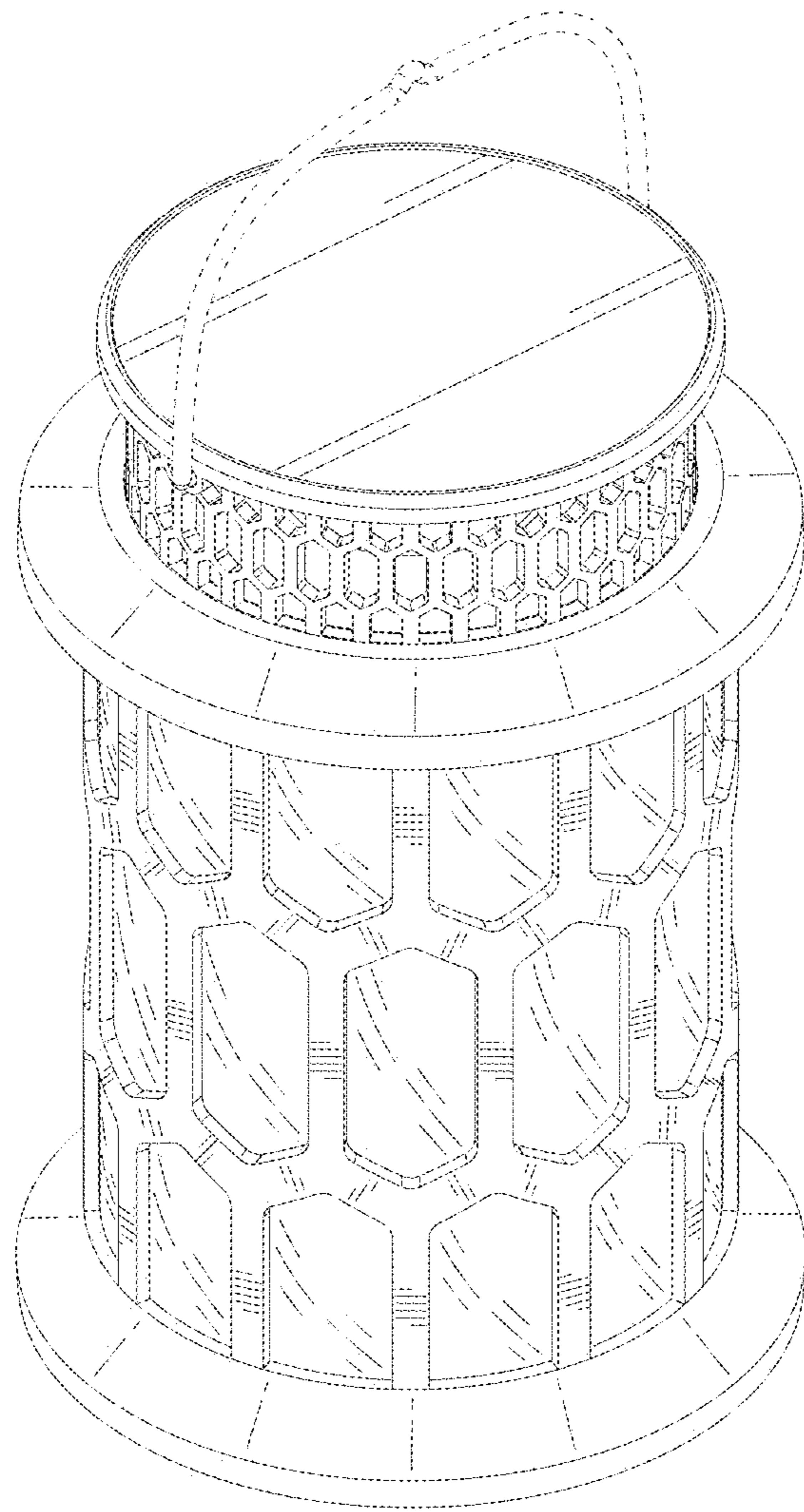


FIG. 1

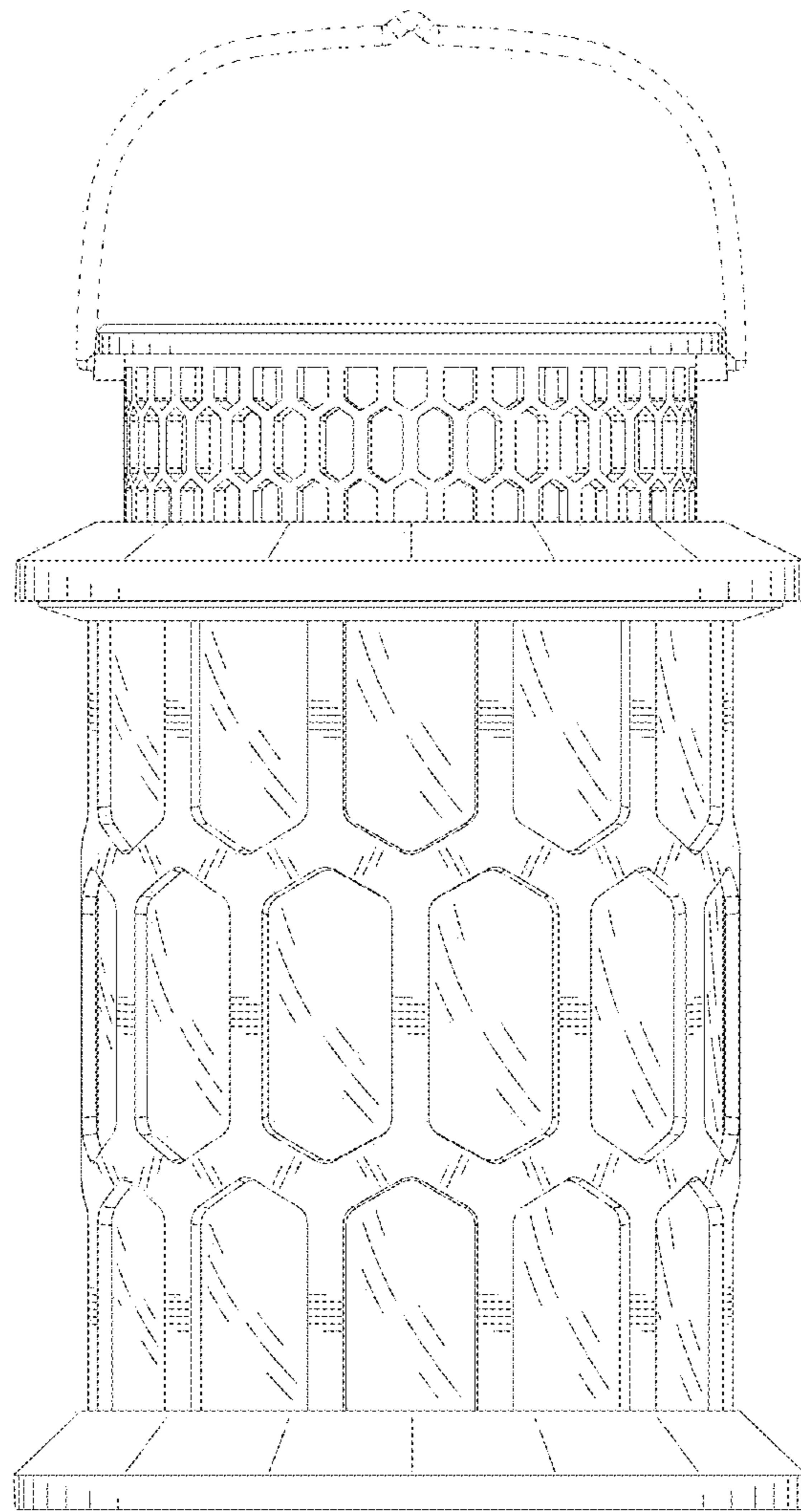


FIG. 2

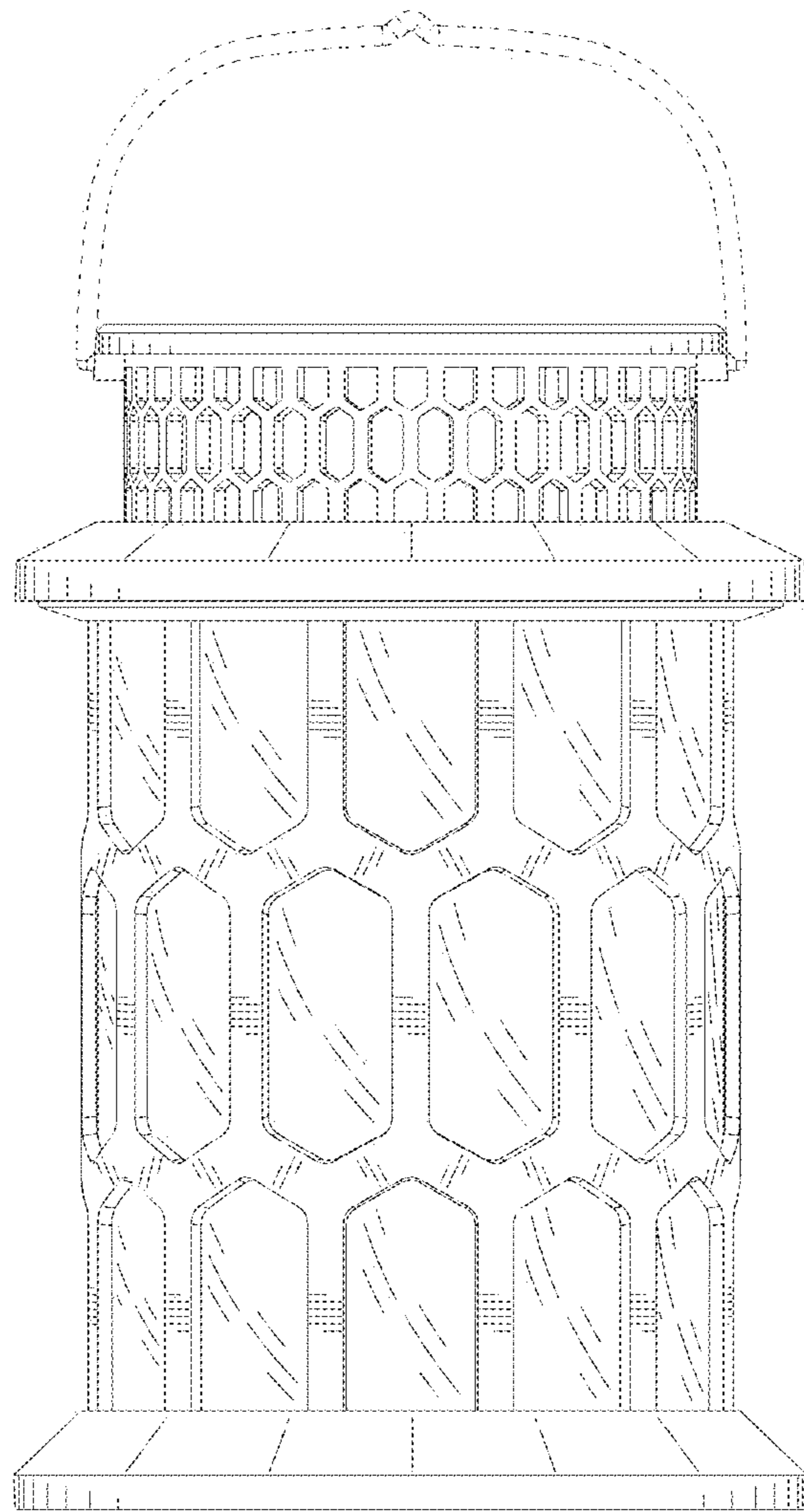


FIG. 3

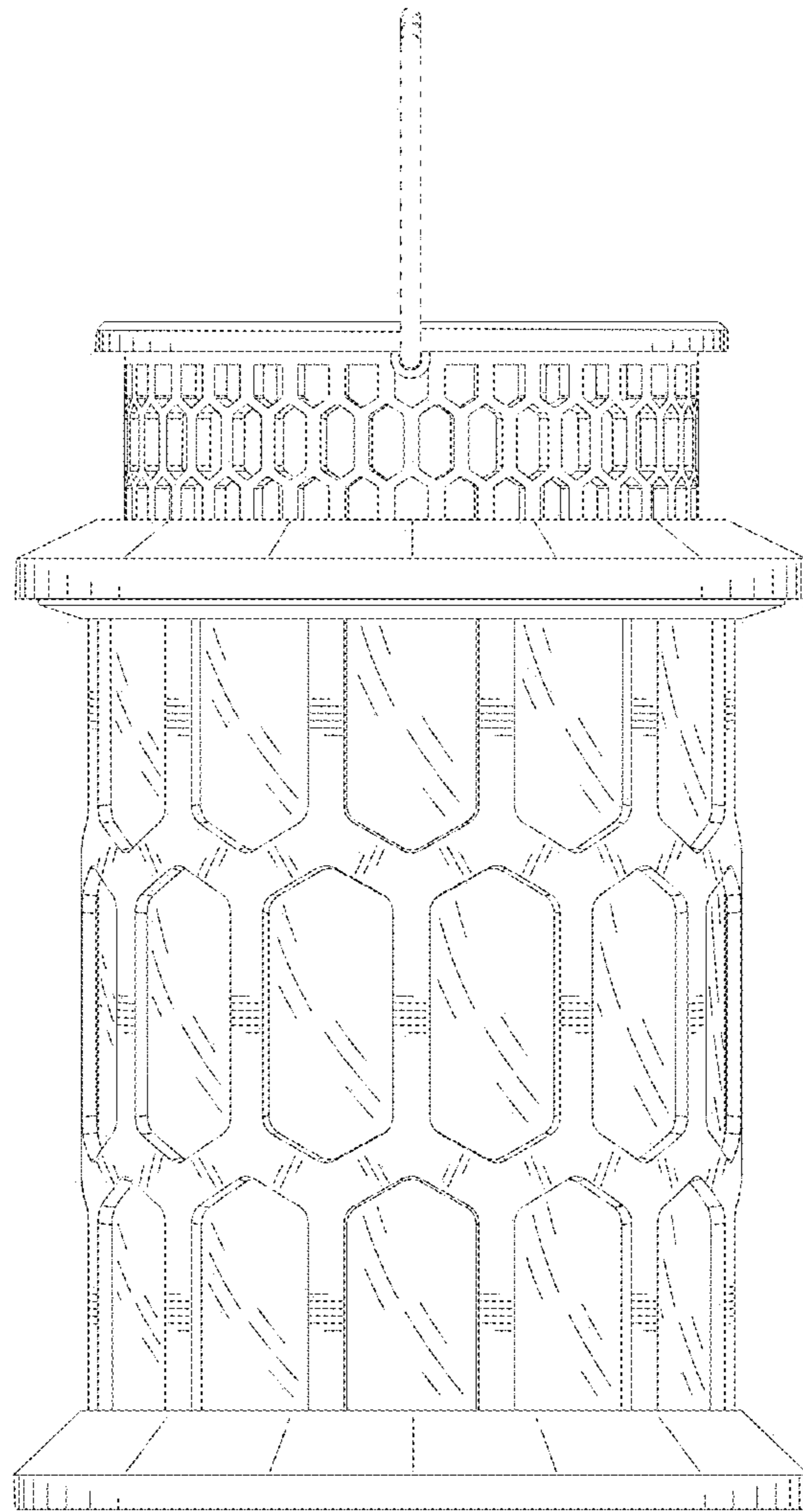


FIG. 4

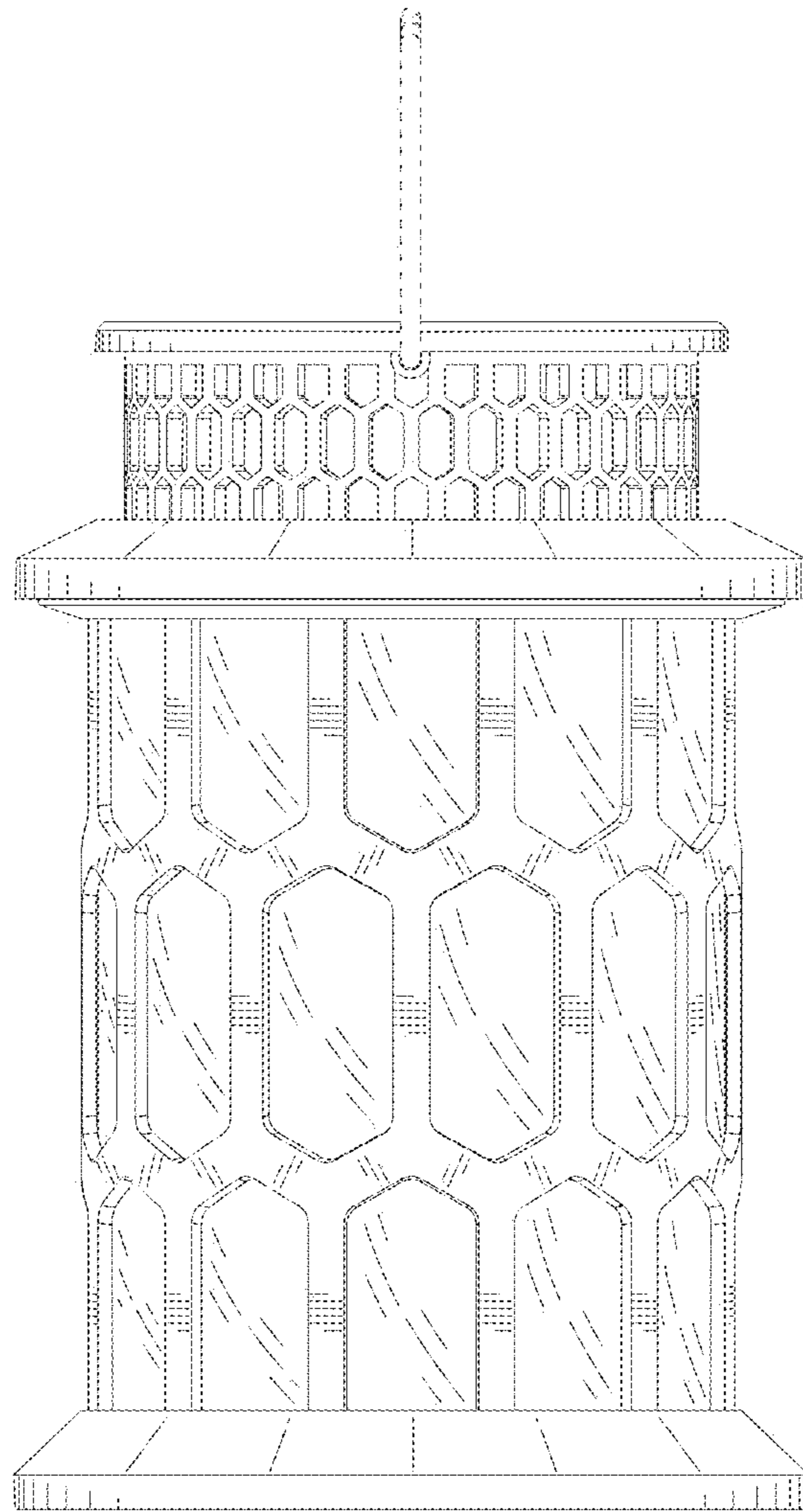


FIG. 5

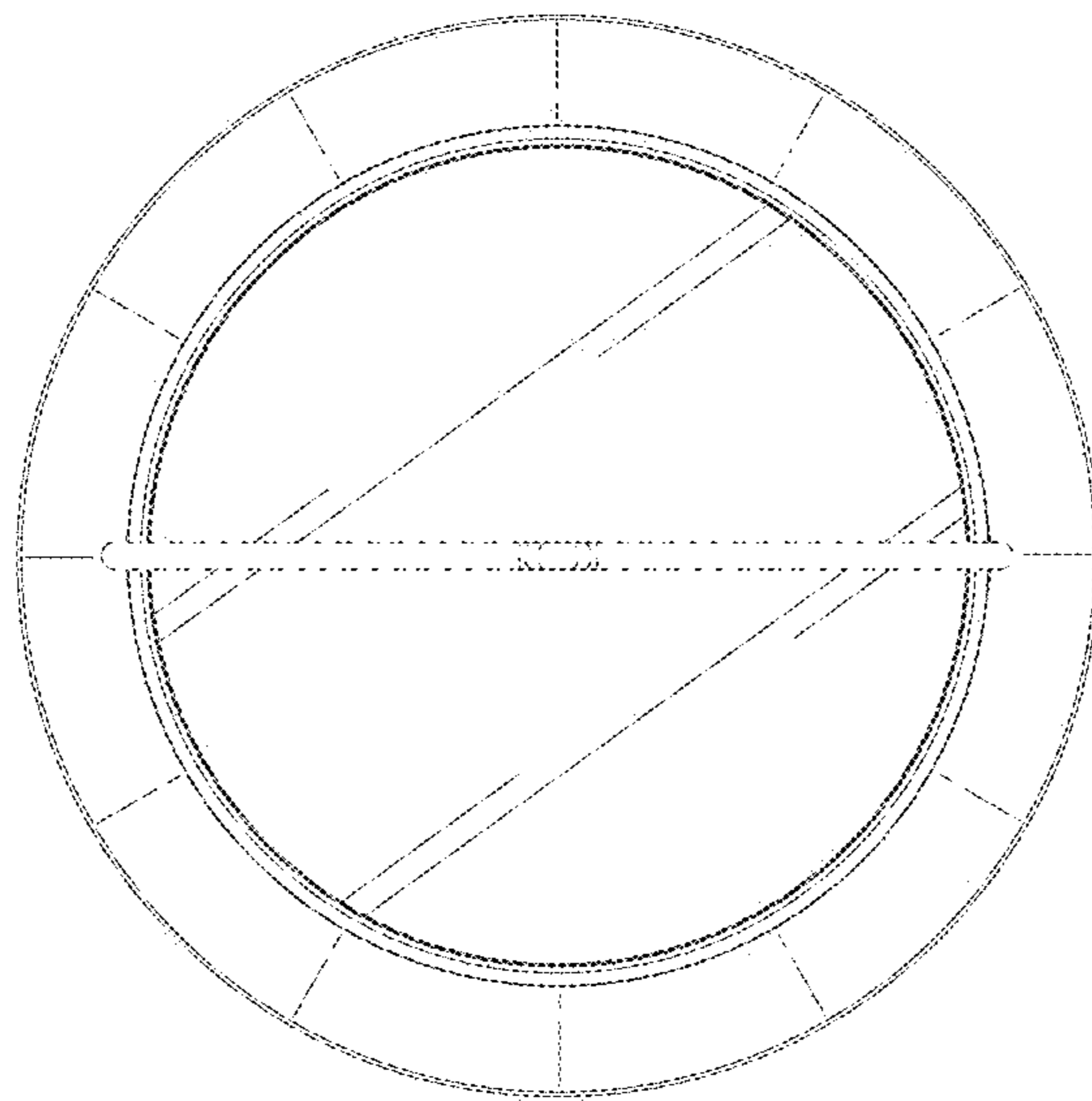


FIG. 6

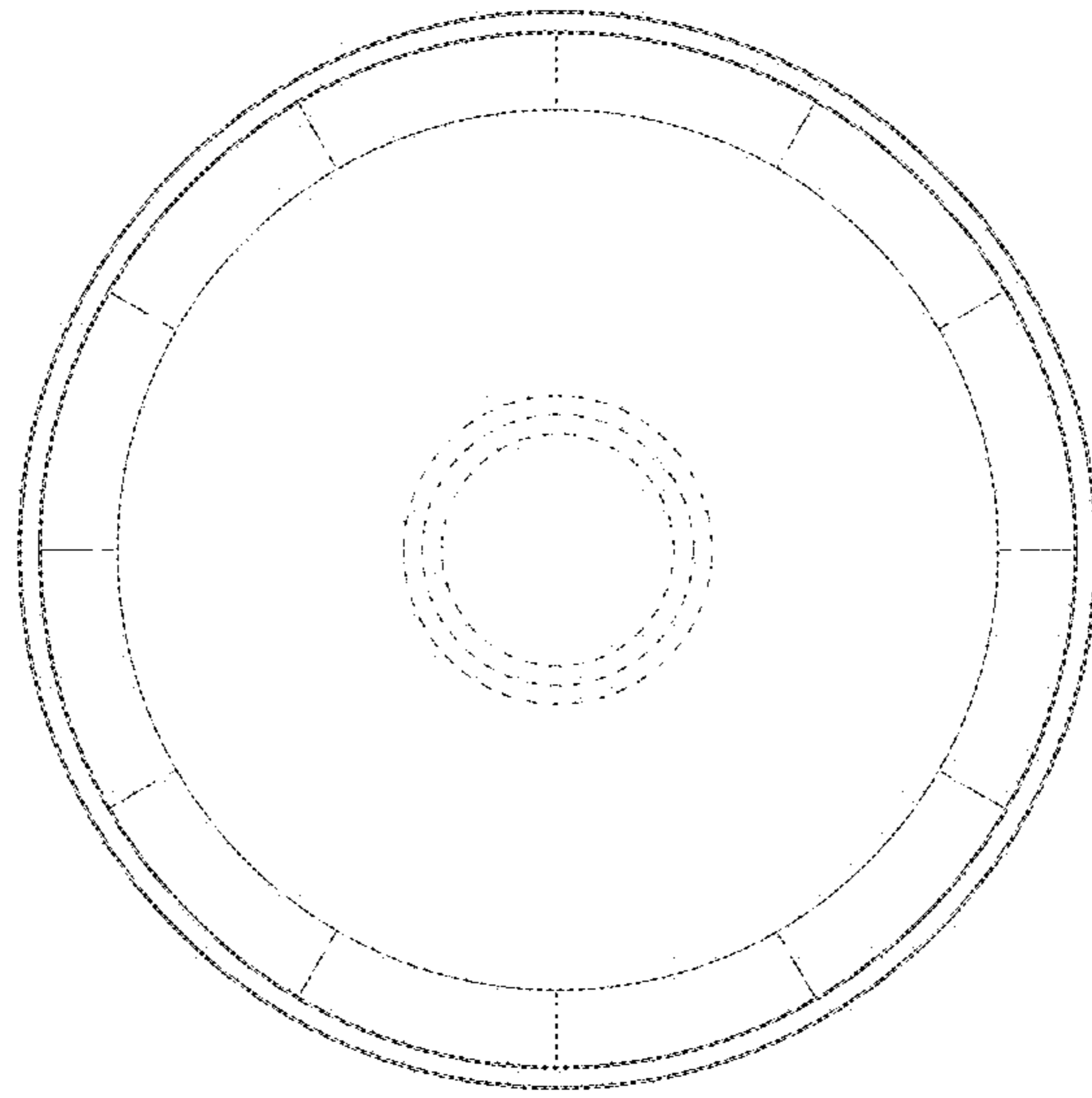


FIG. 7