



US00D983427S

(12) **United States Design Patent**
Xi et al.

(10) **Patent No.:** **US D983,427 S**
(45) **Date of Patent:** **** Apr. 11, 2023**

(54) **FRONT HEADLAMP**

F21W 2103/55; F21W 2104/00; F21W
2107/17; F21W 2107/13

(71) Applicants: **Zhejiang Geely Holding Group CO. LTD.**, Hangzhou (CN); **Shanghai Geely Diran Automobile Design CO. LTD.**, Shanghai (CN)

See application file for complete search history.

(72) Inventors: **Bin Xi**, Shanghai (CN); **Jamie Liam Barrett**, Shanghai (CN); **Tianwei Pan**, Shanghai (CN); **Ning Huang**, Shanghai (CN); **Guy Donovan Burgoyne**, Shanghai (CN); **Peter Horbury**, Shanghai (CN)

(56) **References Cited**

U.S. PATENT DOCUMENTS

D759,863 S *	6/2016	Shim	D26/28
D765,895 S *	9/2016	Haeussinger	D26/28
D772,448 S *	11/2016	Ishii	D26/28
D812,273 S *	3/2018	Wu	D26/28
D856,551 S *	8/2019	Lucas	D26/28
D863,624 S *	10/2019	Kawaguchi	D26/28
D864,437 S *	10/2019	Ishigaki	D26/28
D877,943 S *	3/2020	Smock	D26/28
D905,879 S *	12/2020	Katou	D26/28
D910,891 S *	2/2021	Tseug	D26/28
D950,816 S *	5/2022	Kuehn	D26/28
D950,817 S *	5/2022	Kuehn	D26/28
D958,427 S *	7/2022	Jobling	D26/28

(73) Assignees: **Zhejiang Geely Holding Group CO. LTD.**, Hangzhou (CN); **Shanghai Geely Diran Automobile Design CO. LTD.**, Shanghai (CN)

(**) Term: **15 Years**

* cited by examiner

(21) Appl. No.: **29/812,736**

Primary Examiner — Angela J Lee

(22) Filed: **Oct. 24, 2021**

(57) **CLAIM**

The ornamental design for a front headlamp, as shown and described.

(30) **Foreign Application Priority Data**

DESCRIPTION

Aug. 4, 2021 (CN) 202130501043.9

(51) **LOC (14) Cl.** **26-06**

(52) **U.S. Cl.**
USPC **D26/28**

(58) **Field of Classification Search**
USPC D26/28, 29, 30, 31, 32, 33, 34, 35, 36,
D26/139

CPC F21S 41/00; F21S 41/141; F21S 41/162;
F21S 41/18; F21S 41/20; F21S 41/33;
F21S 41/36; F21S 41/60; F21S 43/00;
F21W 2103/35; F21W 2103/40; F21W
2102/17; F21W 2102/30; F21W 2103/00;

FIG. 1 is a front elevational view of a front headlamp showing our new design.

FIG. 2 is a rear elevational view thereof.

FIG. 3 is a left side view thereof.

FIG. 4 is a right side view thereof.

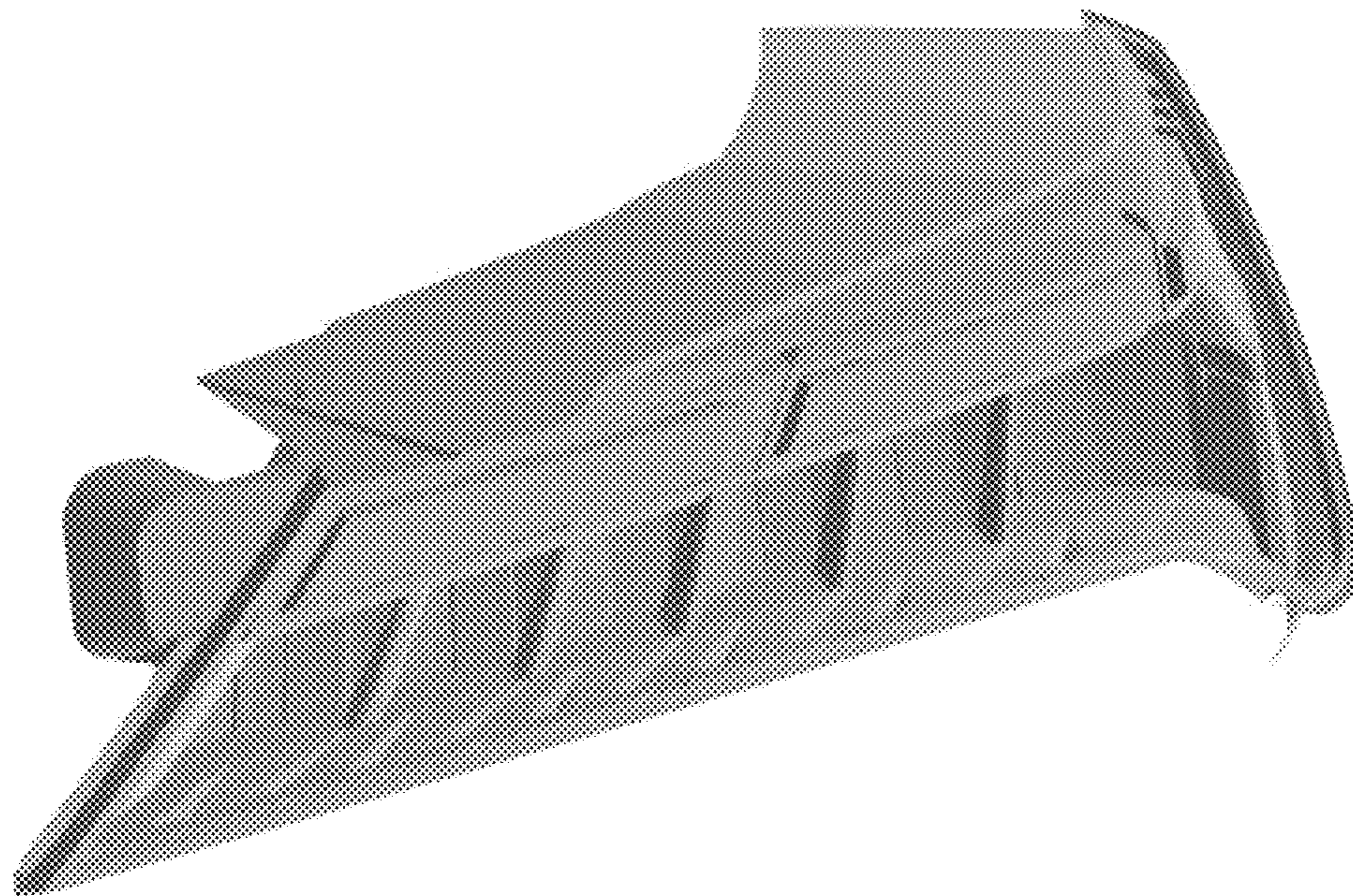
FIG. 5 is a top view thereof.

FIG. 6 is a bottom view thereof.

FIG. 7 is a perspective view thereof; and,

FIG. 8 is an another perspective view thereof.

1 Claim, 4 Drawing Sheets



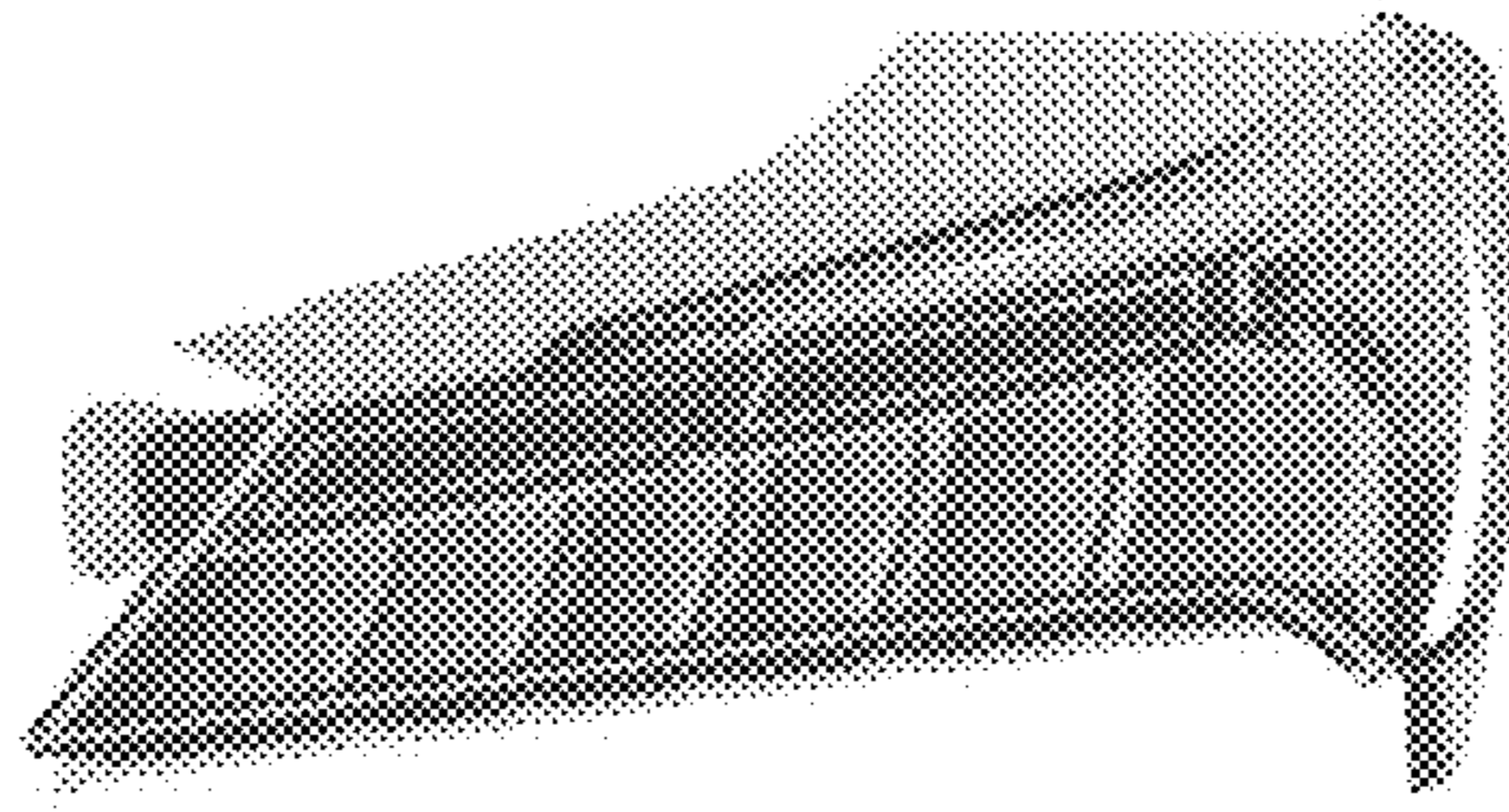


Figure 1

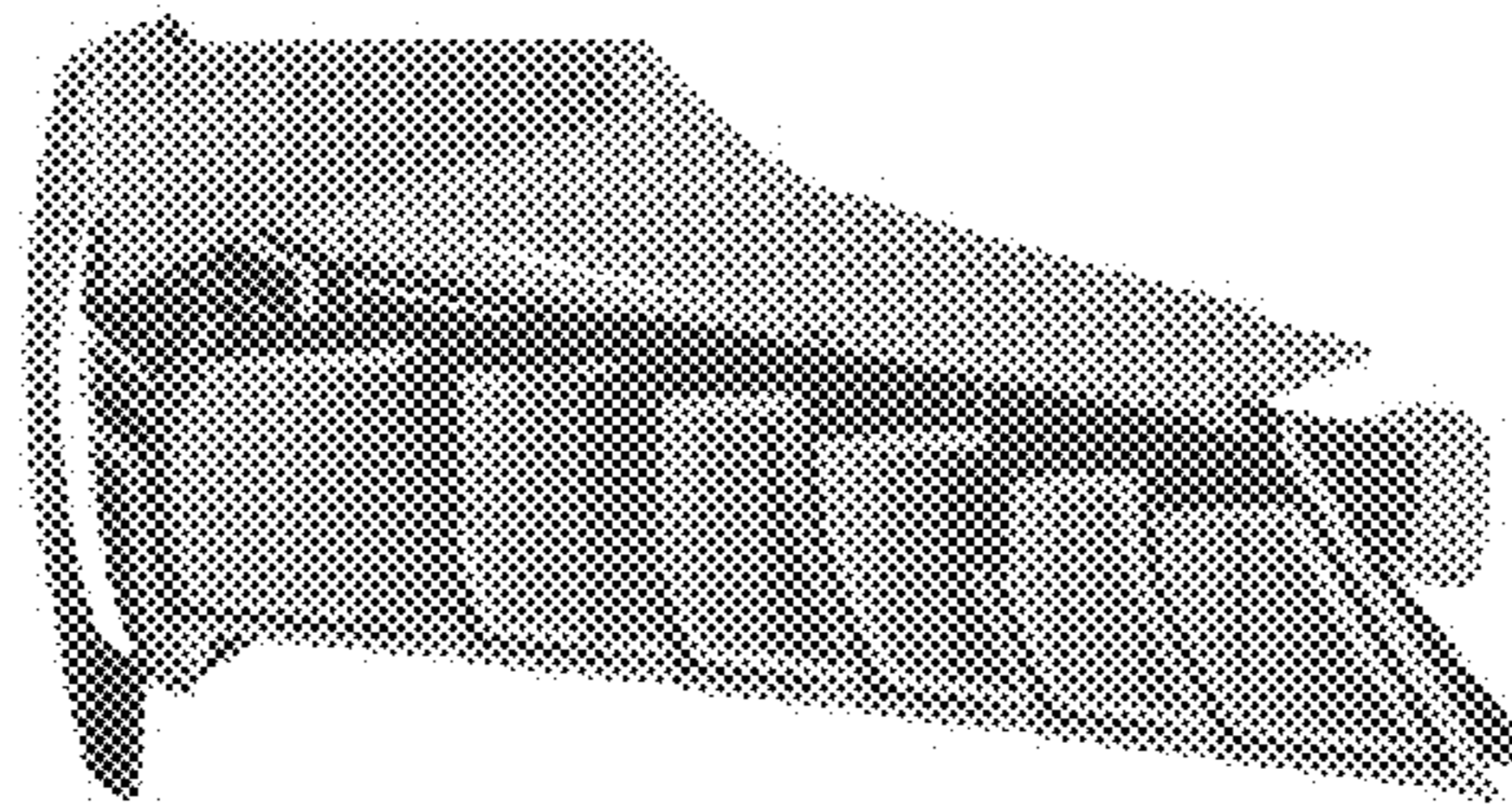


Figure 2

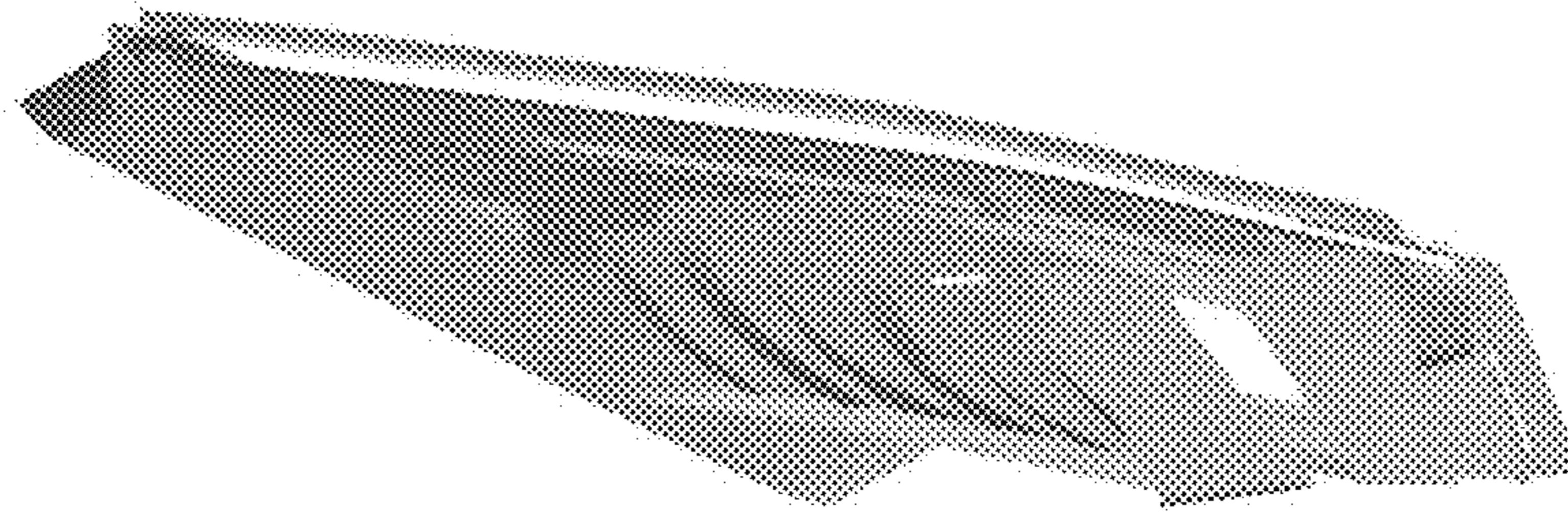


Figure 3

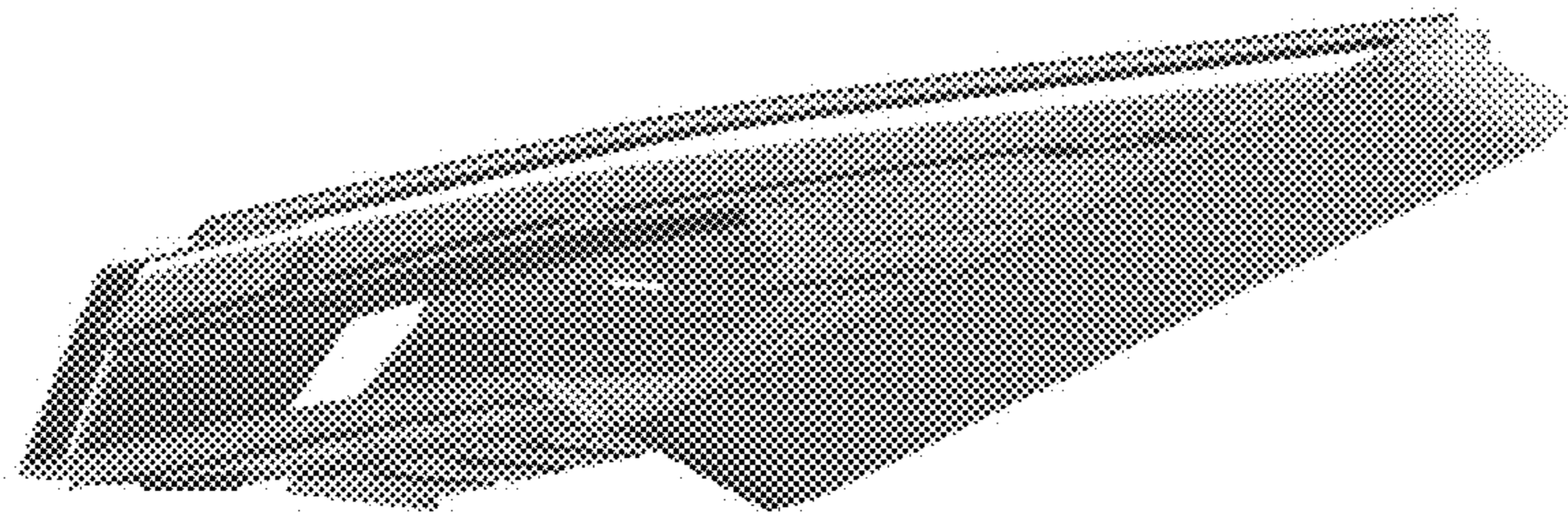


Figure 4

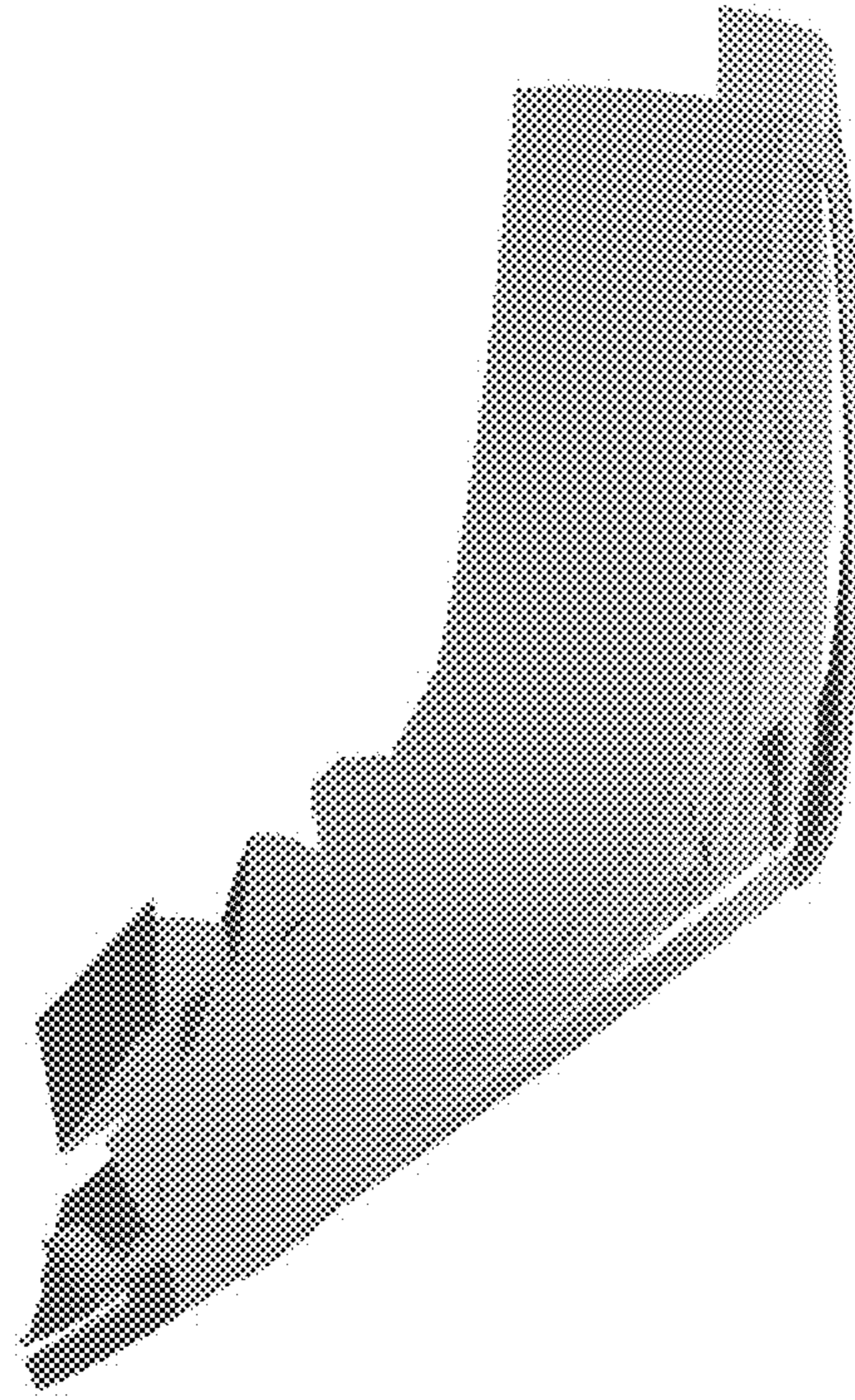


Figure 5

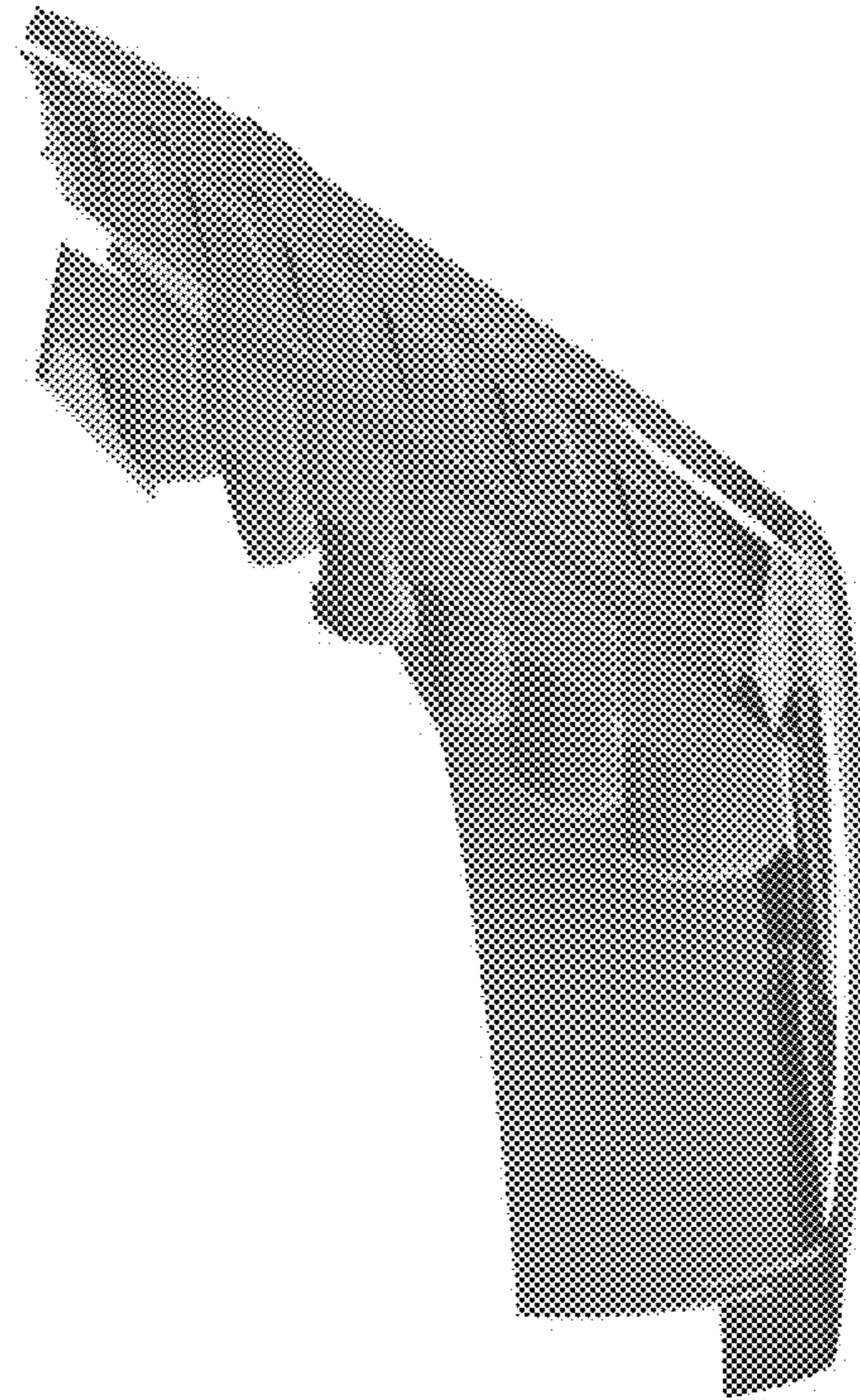


Figure 6

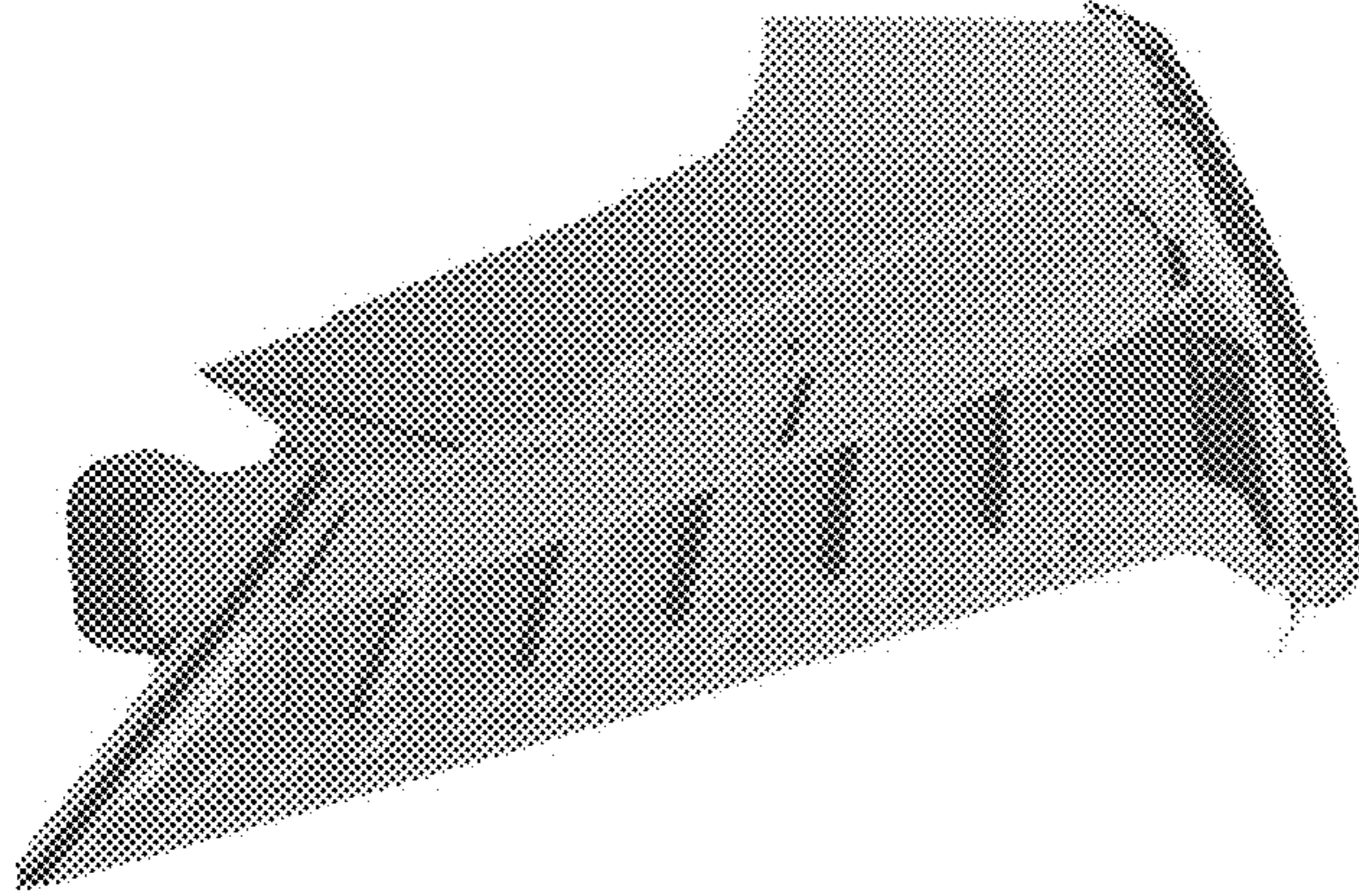


Figure 7

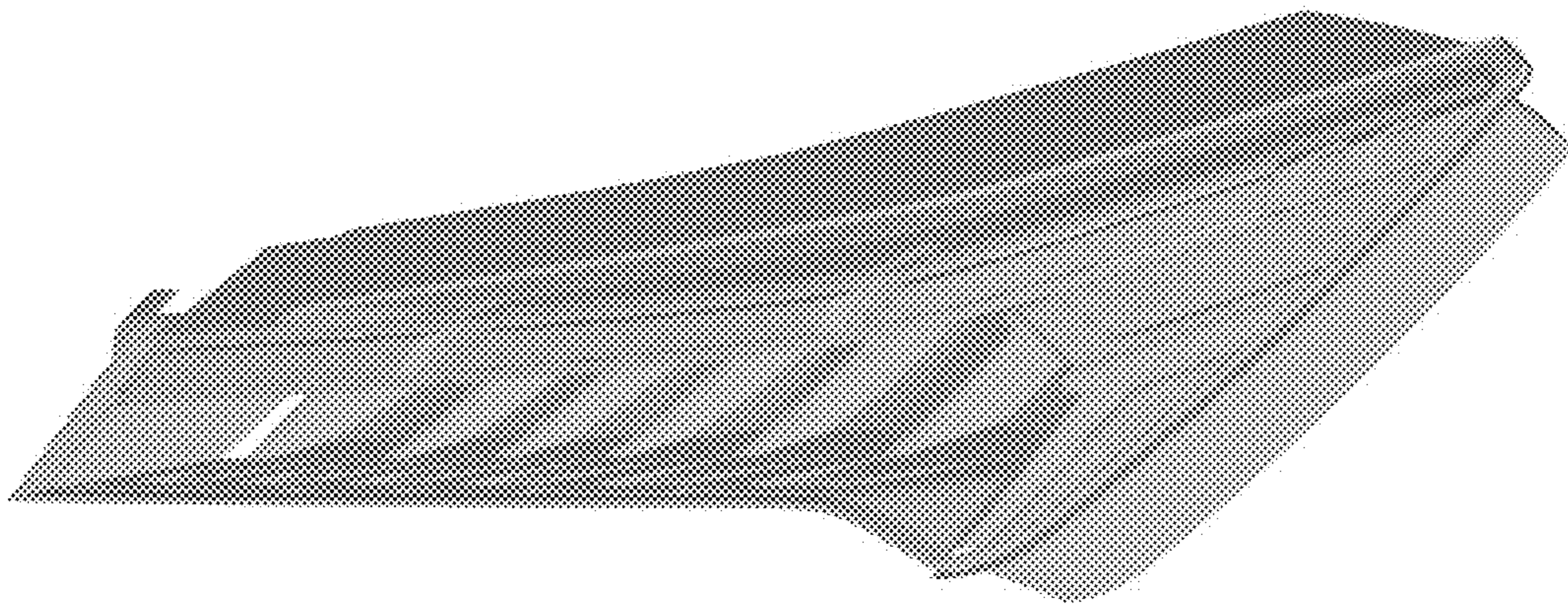


Figure 8