



US00D983425S

(12) **United States Design Patent**
Zhang

(10) **Patent No.:** **US D983,425 S**

(45) **Date of Patent:** **** Apr. 11, 2023**

(54) **NIGHT LAMP**

(71) Applicant: **Xiaobao Zhang**, Yongzhou (CN)

(72) Inventor: **Xiaobao Zhang**, Yongzhou (CN)

(**) Term: **15 Years**

(21) Appl. No.: **29/750,723**

(22) Filed: **Sep. 16, 2020**

(51) **LOC (14) Cl.** **26-05**

(52) **U.S. Cl.**
USPC **D26/26**

(58) **Field of Classification Search**
USPC D26/26, 24, 113, 118, 119, 120, 52;
D23/366, 367, 369
CPC F21S 8/035; F21V 23/06; F21V 23/0442;
F21W 2121/00; H01R 2103/00; Y10S
362/81
See application file for complete search history.

(56) **References Cited**

U.S. PATENT DOCUMENTS

D352,564 S * 11/1994 Marischen D26/26
D641,098 S * 7/2011 Wildner D26/85
D791,622 S * 7/2017 Chang D10/46

D808,046 S * 1/2018 Jianting D26/26
D821,615 S * 6/2018 Trice D26/26
D835,307 S * 12/2018 Thompson D26/26
D861,930 S * 10/2019 Wu D26/26
D864,430 S * 10/2019 Thompson D26/26
D869,014 S * 12/2019 Wu D26/26
D872,912 S * 1/2020 Wu D26/26
D873,447 S * 1/2020 Wang D26/26
D899,638 S * 10/2020 Li D26/26
D905,299 S * 12/2020 Zhang D26/26

* cited by examiner

Primary Examiner — Angela J Lee

(74) *Attorney, Agent, or Firm* — Georgi Korobanov

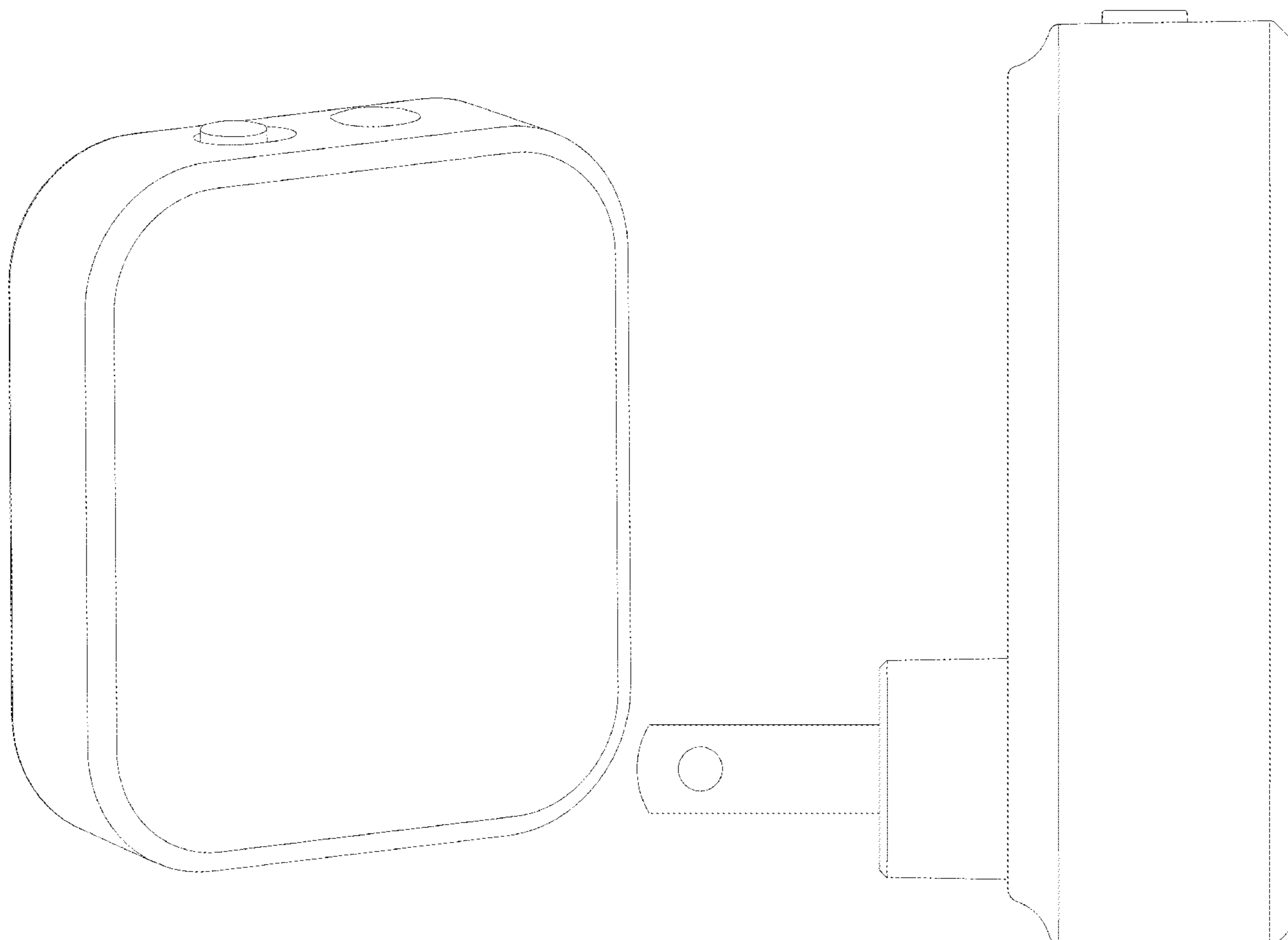
(57) **CLAIM**

The ornamental design for a night lamp, as shown and described.

DESCRIPTION

FIG. 1 is a perspective view of a night lamp showing my new design;
FIG. 2 is a front elevational view thereof;
FIG. 3 is a rear elevational view thereof;
FIG. 4 is a left side elevational view thereof;
FIG. 5 is a right side elevational view thereof;
FIG. 6 is a top plan view thereof; and,
FIG. 7 is a bottom plan view thereof.

1 Claim, 7 Drawing Sheets



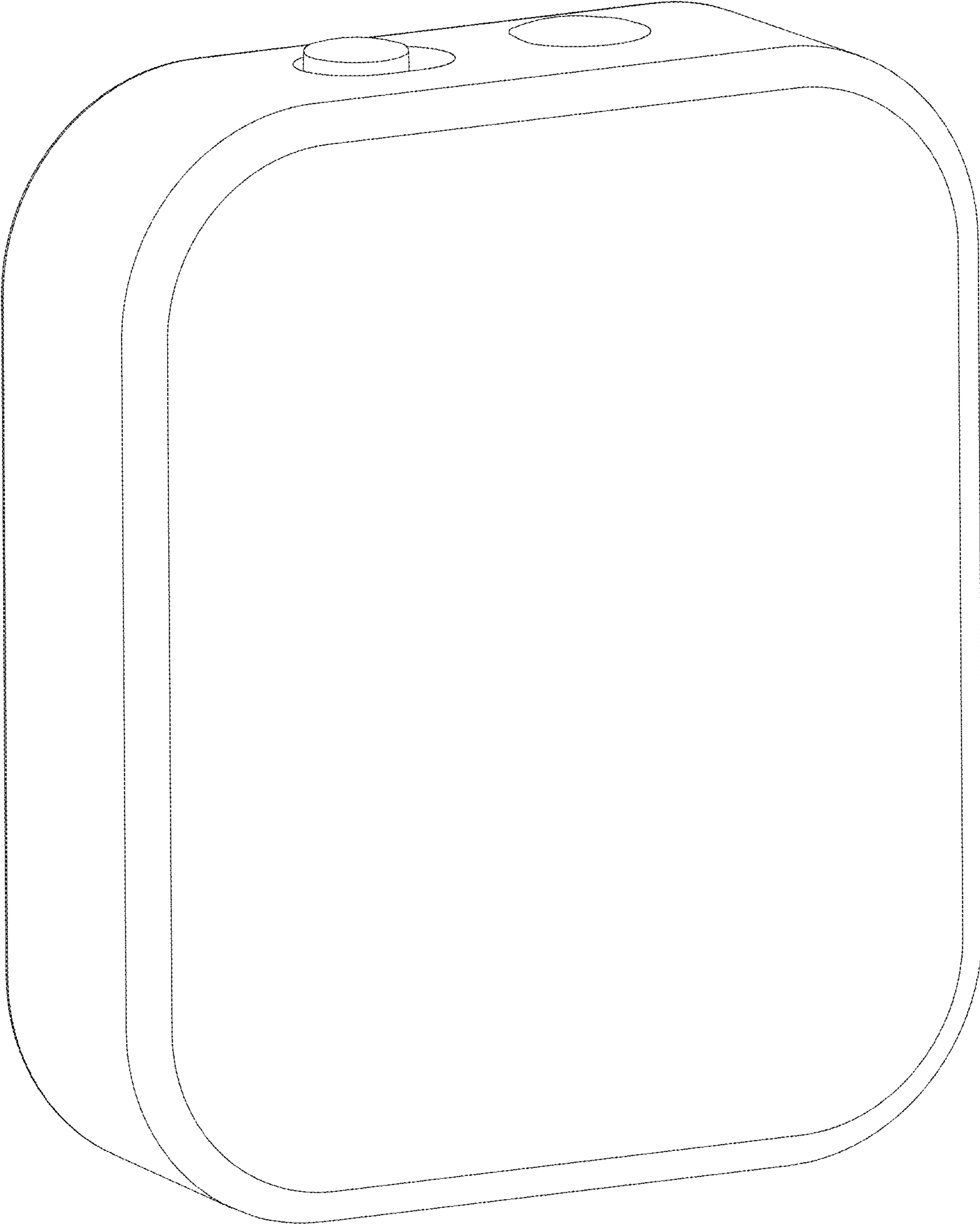


FIG.1

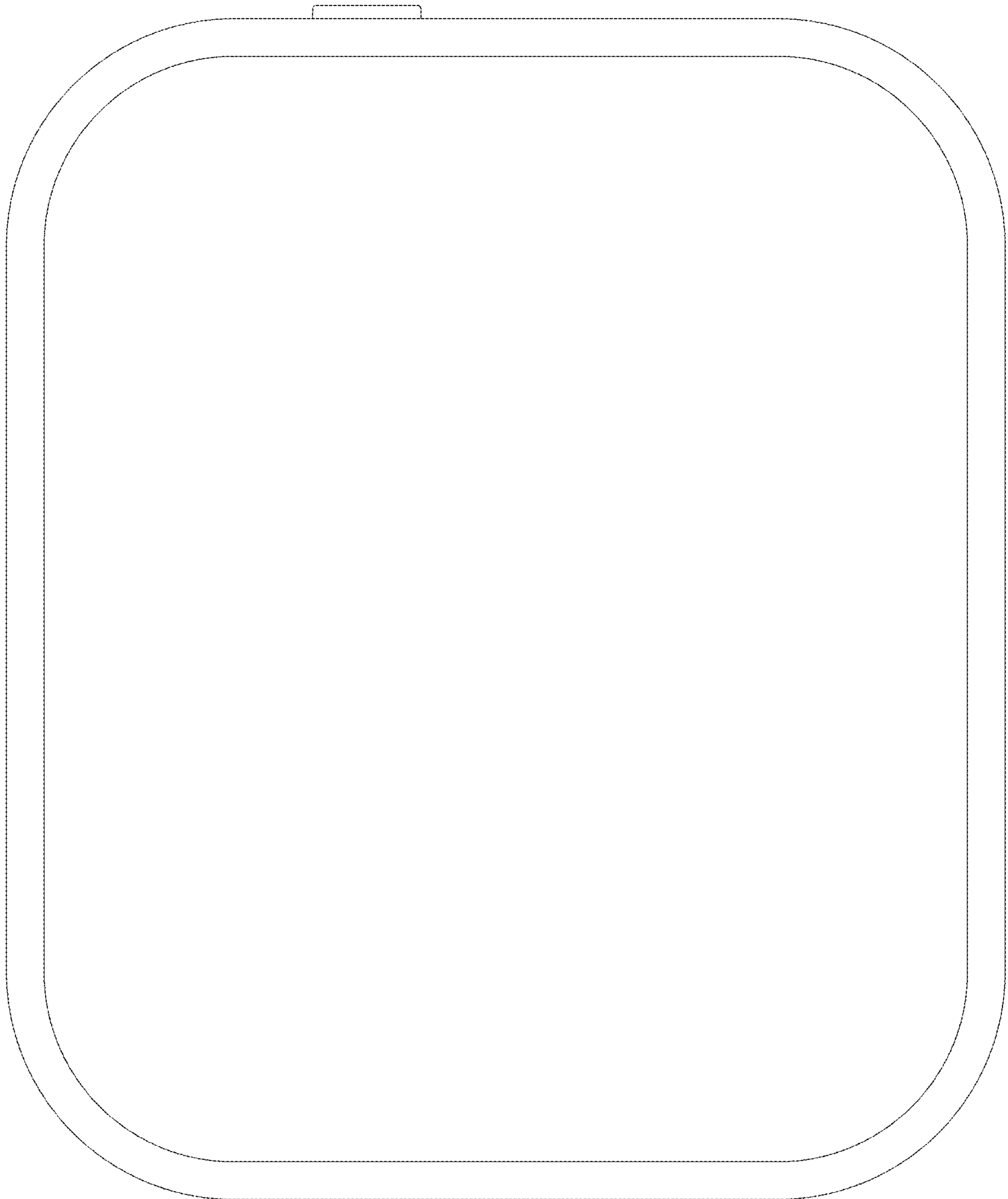


FIG. 2

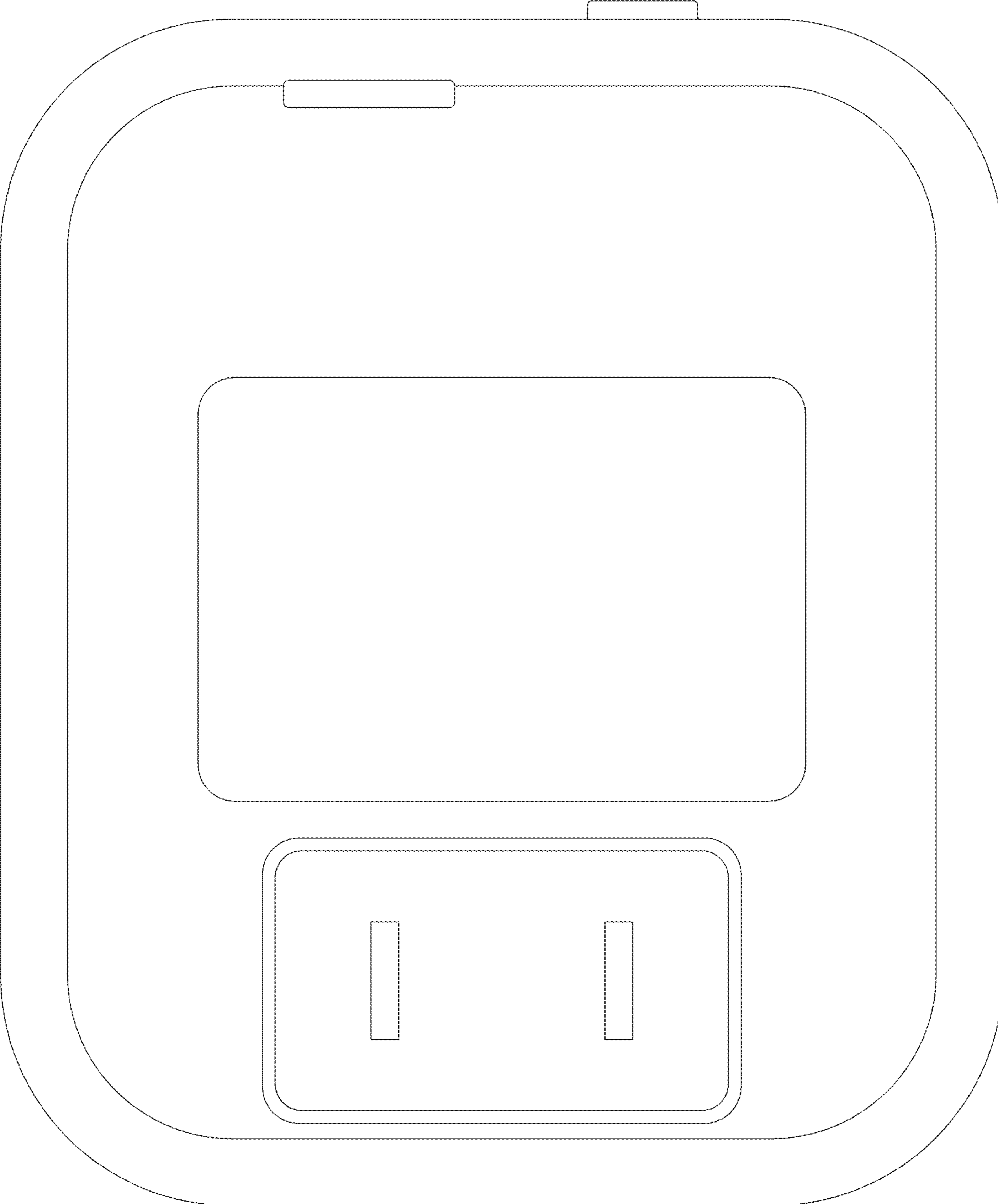


FIG.3

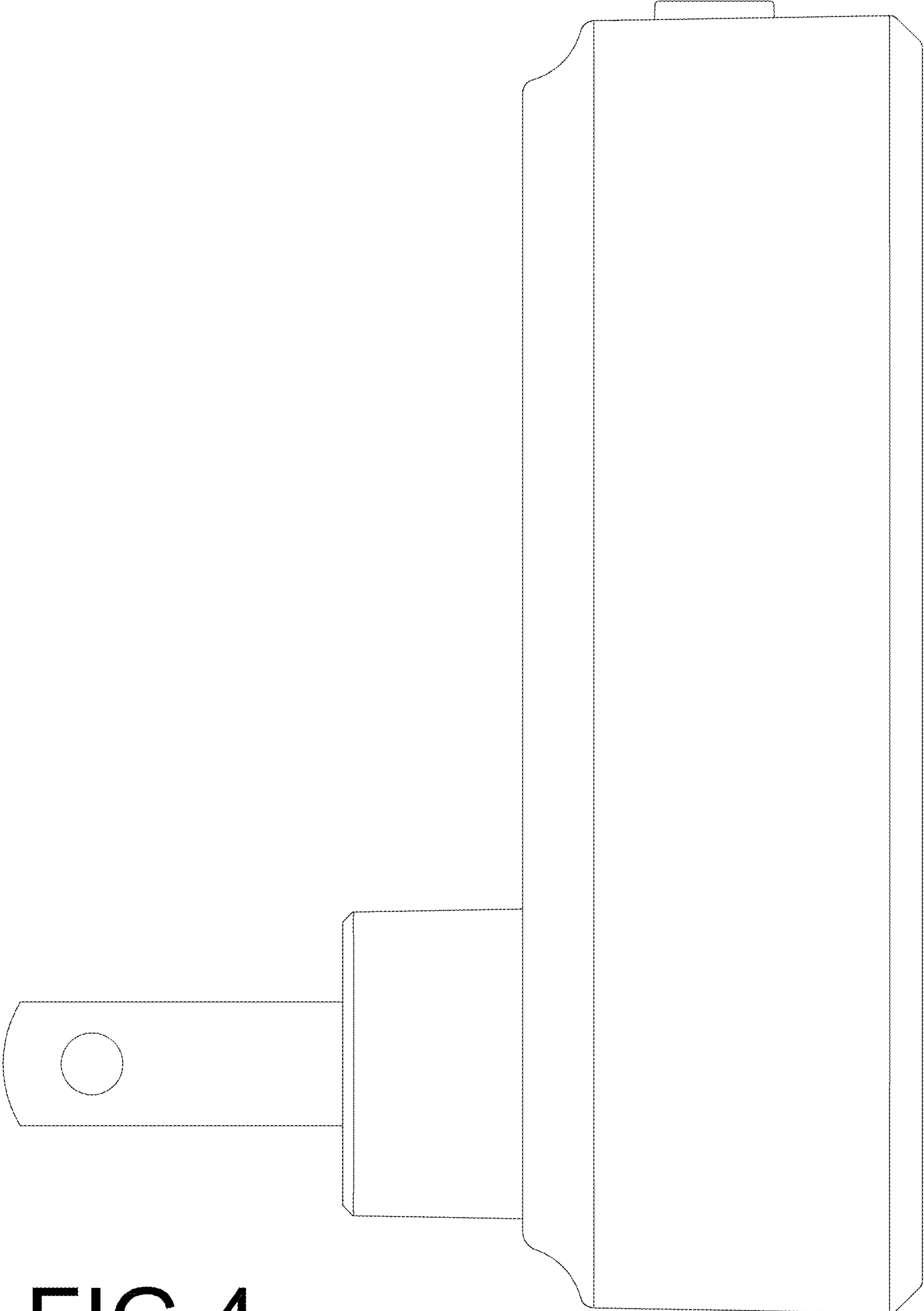


FIG. 4

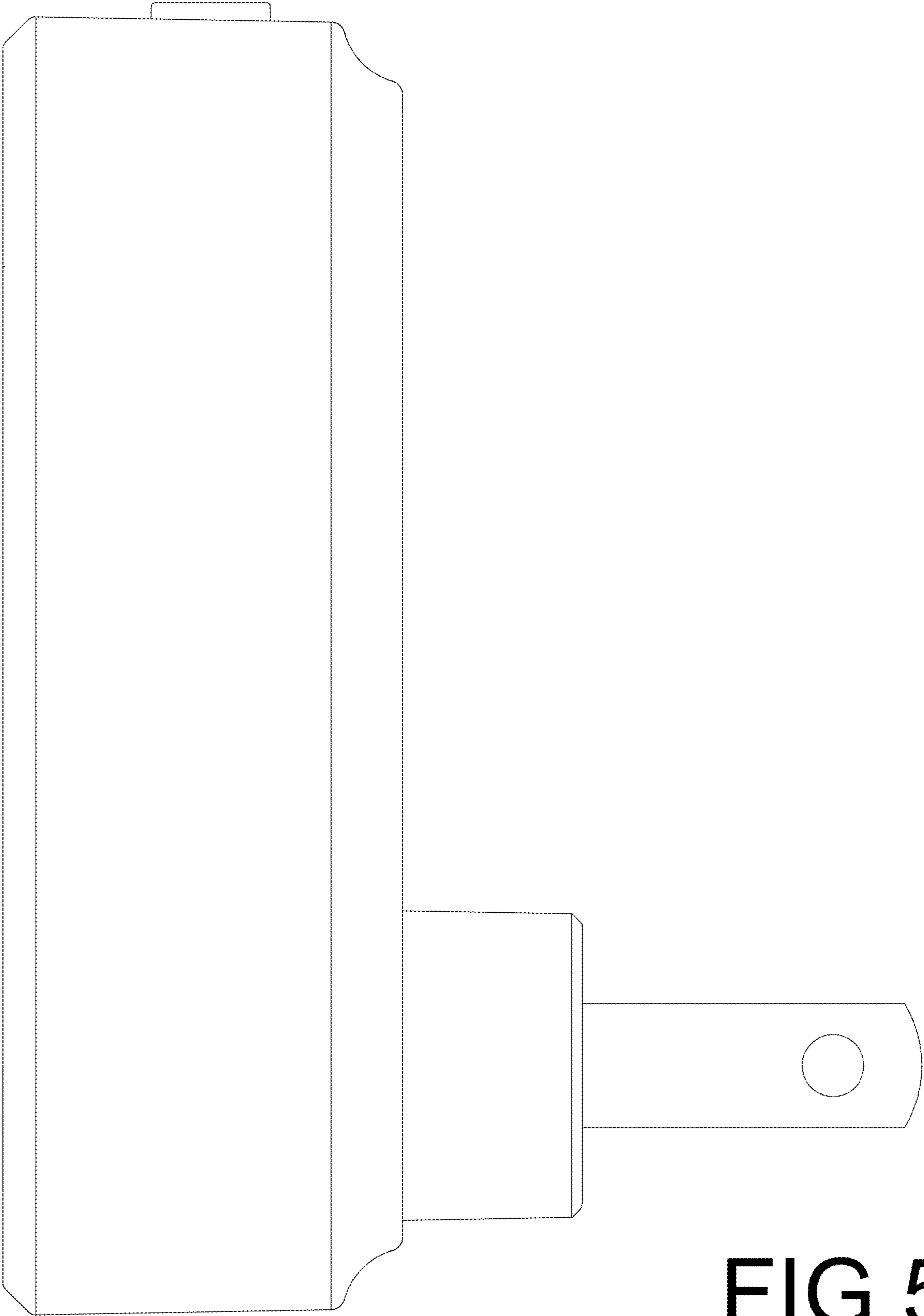


FIG. 5

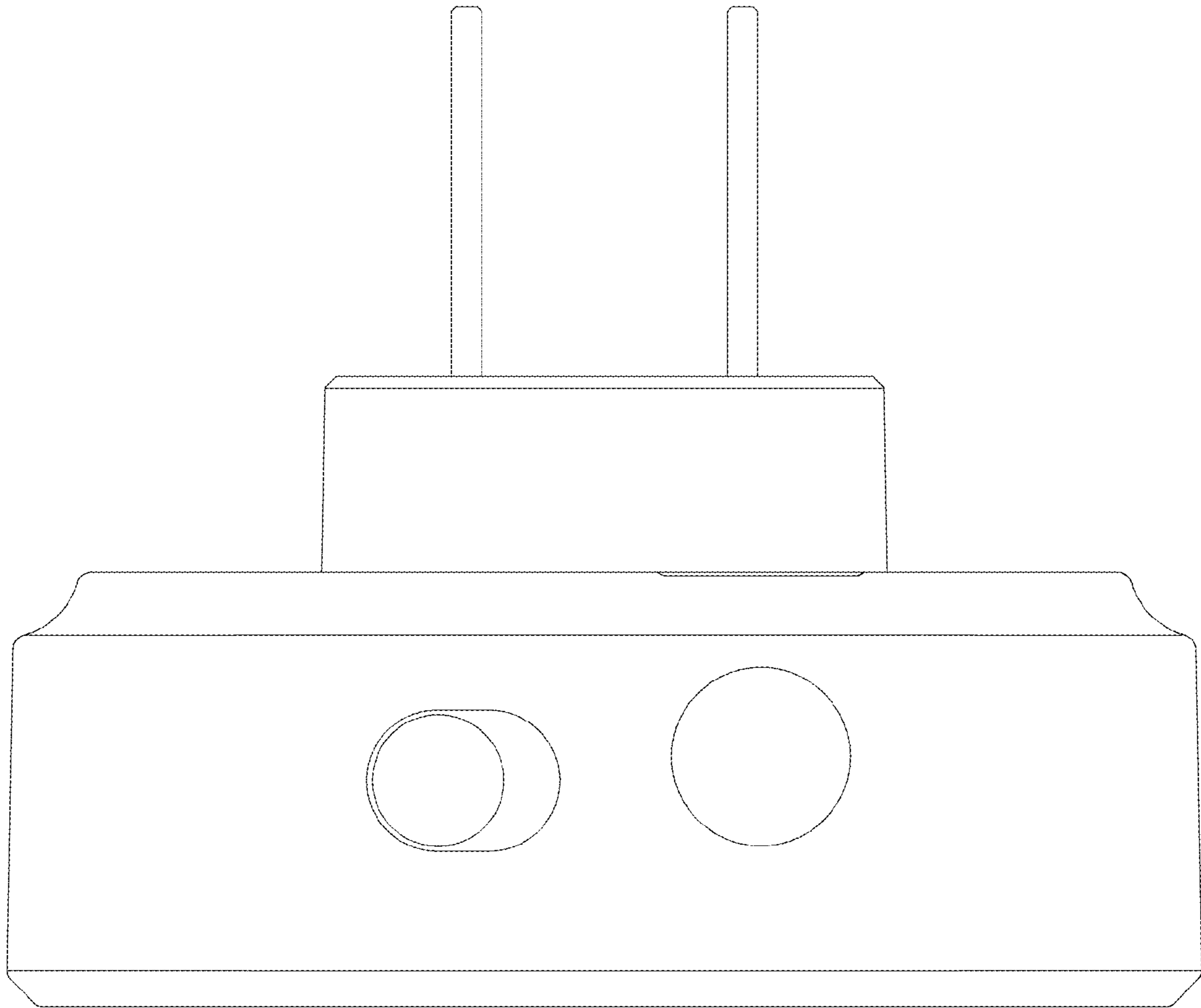


FIG.6

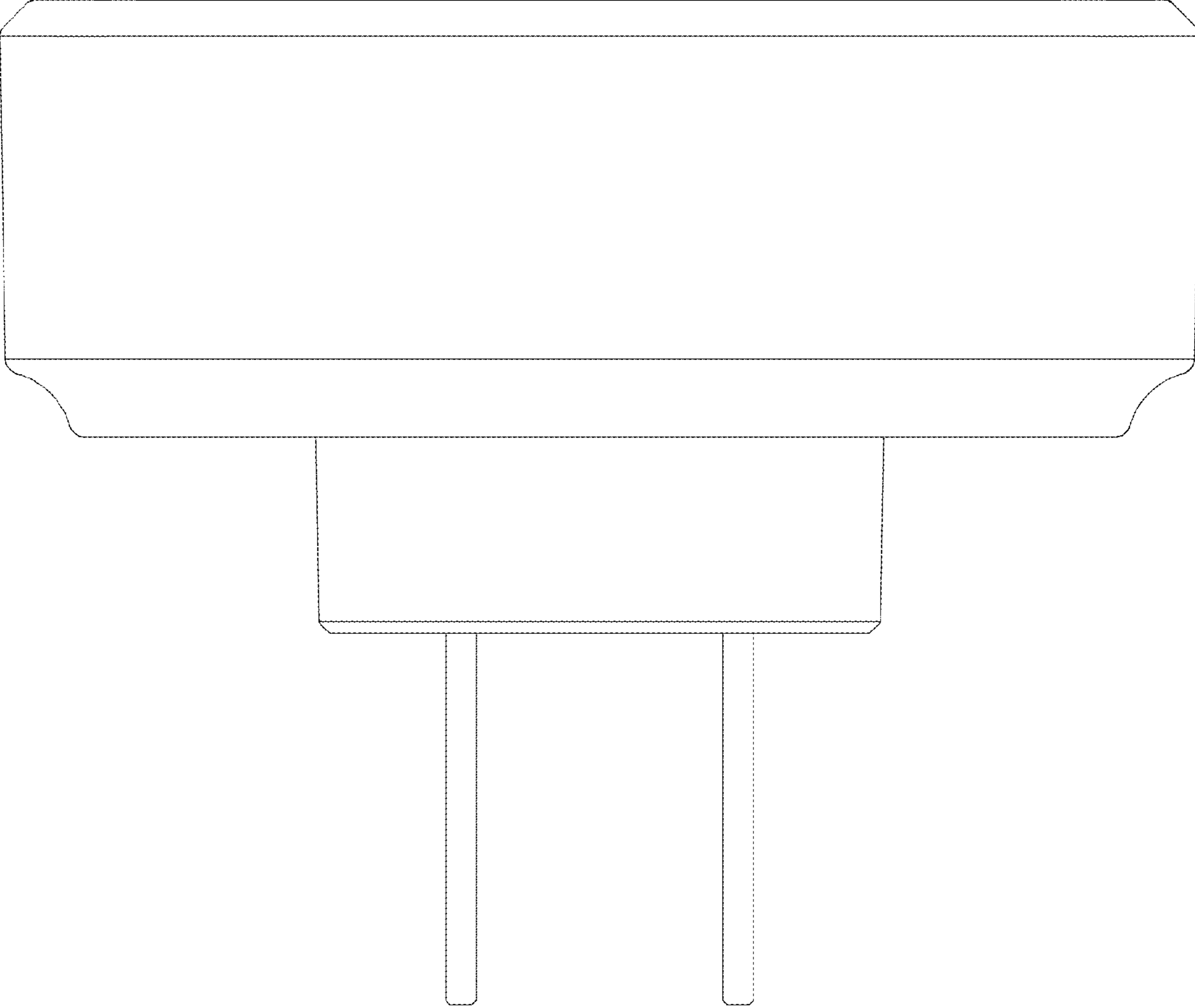


FIG.7