



US00D983418S

(12) **United States Design Patent**
Busatta et al.

(10) **Patent No.:** **US D983,418 S**
(45) **Date of Patent:** **** Apr. 11, 2023**

(54) **STUDED MEMBRANE FOR BUILDING CONSTRUCTIONS**

(71) Applicant: **TEMA-TECHNOLOGIES AND MATERIALS S.R.L.**, Vittorio Veneto (IT)

(72) Inventors: **Nicola Busatta**, Conegliano (IT); **Federico Cais**, S. Vendemiano (IT)

(**) Term: **15 Years**

(21) Appl. No.: **29/867,185**

(22) Filed: **Oct. 13, 2022**

Related U.S. Application Data

(62) Division of application No. 35/511,979, filed on Apr. 22, 2021 (U.S. filing date under 35 U.S.C. 384), and having an international filing date of Apr. 22, 2021, now Pat. No. Des. 970,756.

(51) **LOC (14) Cl.** **25-01**

(52) **U.S. Cl.**
USPC **D25/138**

(58) **Field of Classification Search**
USPC D25/138, 142, 144, 152, 153, 156, 157, D25/158, 159, 160, 161, 163, 199
CPC H05B 3/00; F24D 3/12; F24D 3/14; F24D 3/142; F24D 3/146; F24D 13/02; E04C 2/52; E04F 15/185

See application file for complete search history.

(56) **References Cited**

U.S. PATENT DOCUMENTS

3,232,371 A * 2/1966 Reichert E04B 1/86
D25/153
D587,358 S * 2/2009 Stephan D23/314
D721,191 S * 1/2015 Amend D25/157

D747,503 S * 1/2016 Reynolds D25/158
D773,697 S * 12/2016 Amend D25/157
9,719,265 B2 * 8/2017 Bordin F24D 3/141
9,726,383 B1 * 8/2017 Bordin F24D 3/142
D806,274 S * 12/2017 Bordin D25/138
D806,275 S * 12/2017 Bordin D25/138
D806,276 S * 12/2017 Bordin D25/138
D806,277 S * 12/2017 Bordin D25/138
D806,278 S * 12/2017 Bordin D25/138
D806,279 S * 12/2017 Bordin D25/138
D806,280 S * 12/2017 Bordin D25/138
D806,912 S * 1/2018 Bordin D25/138
D818,615 S * 5/2018 Bordin D25/138
D818,616 S * 5/2018 Bordin D25/138
D818,617 S * 5/2018 Bordin D25/138
D830,584 S * 10/2018 Comitale D25/138
D832,467 S * 10/2018 Bordin D25/138
10,190,324 B2 * 1/2019 Julton E04F 15/02044
D857,244 S * 8/2019 Faotto D25/138
D857,933 S * 8/2019 Julton D25/138
D874,687 S * 2/2020 Schluter D25/138
D897,000 S * 9/2020 Julton D25/138
D907,812 S * 1/2021 Brugger D25/138
10,928,075 B1 * 2/2021 Warneke H05B 3/06
10,934,712 B2 * 3/2021 Egli F24D 3/142

(Continued)

Primary Examiner — Darlington Ly

(74) *Attorney, Agent, or Firm* — Egbert, McDaniel & Swartz, PLLC

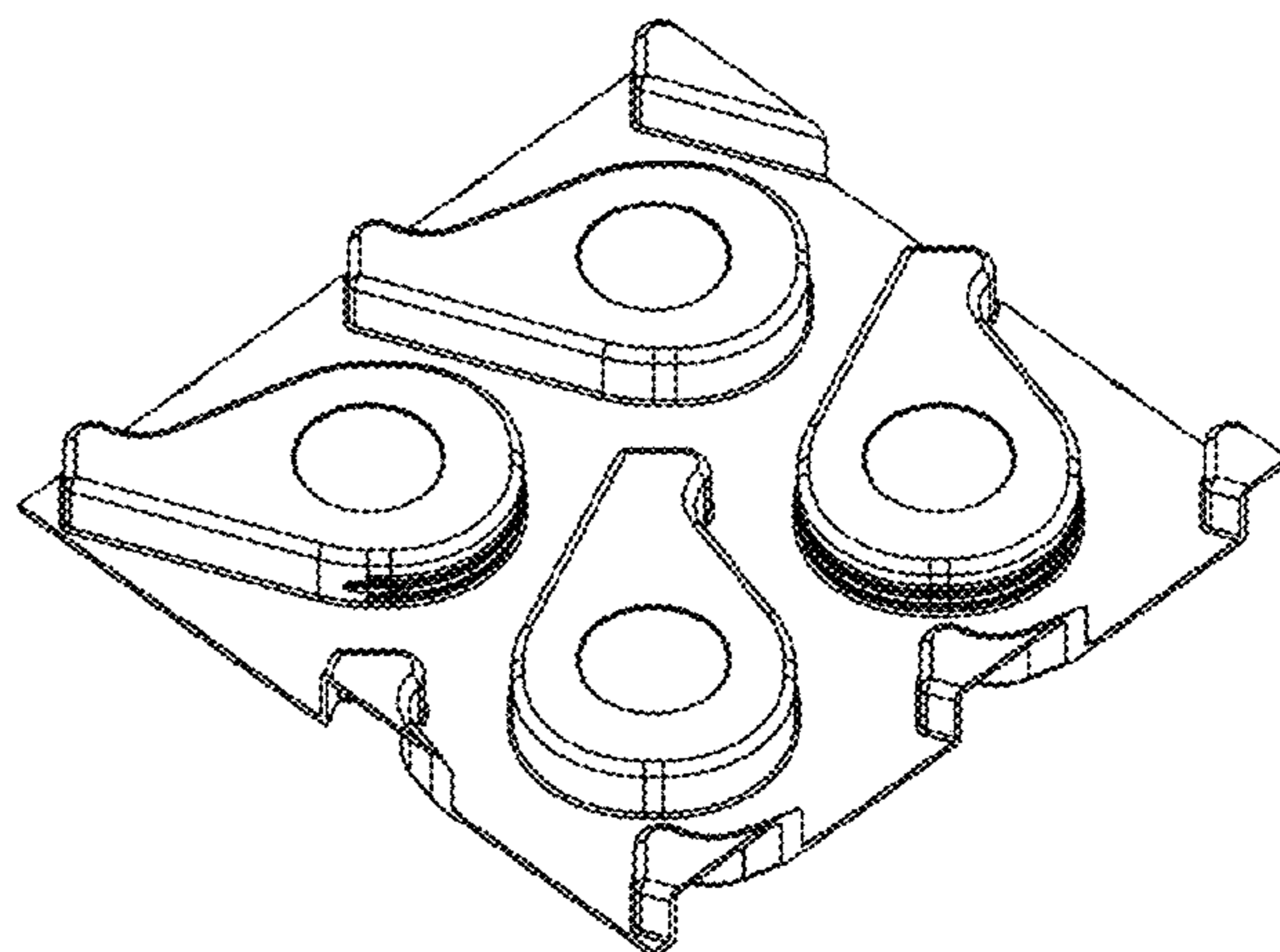
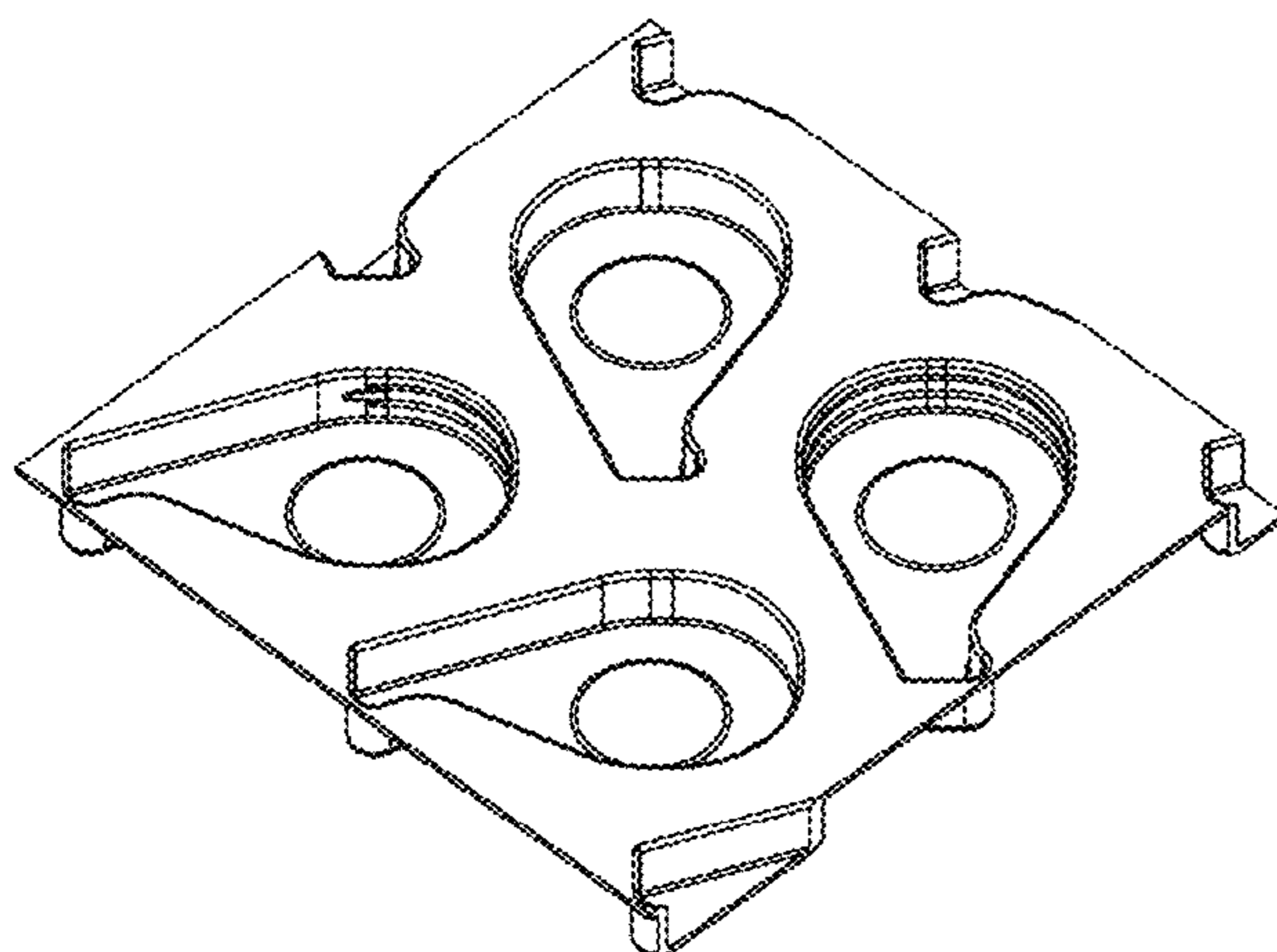
(57) **CLAIM**

The ornamental design for a studded membrane for building constructions, as shown and described.

DESCRIPTION

FIG. 1 is a bottom perspective view of a studded membrane for building constructions embodying our new design; FIG. 2 is a top perspective view thereof; FIG. 3 is a bottom plan view thereof; and, FIG. 4 is a left side elevation view thereof.

1 Claim, 4 Drawing Sheets



(56)

References Cited

U.S. PATENT DOCUMENTS

D971,449 S * 11/2022 Bordin D25/138
2014/0069039 A1 * 3/2014 Schluter E04F 15/185
52/390
2016/0130803 A1 * 5/2016 Comitale B32B 5/028
428/156
2016/0160502 A1 * 6/2016 Brousseau E04C 2/525
52/309.4
2017/0073980 A1 * 3/2017 Szonok H02G 1/06
2017/0307229 A1 * 10/2017 Larson F24D 3/141
2019/0226686 A1 * 7/2019 White F24D 13/024
2020/0191413 A1 * 6/2020 Faotto E04F 13/072
2021/0029782 A1 * 1/2021 White E04C 2/525
2021/0115660 A1 * 4/2021 Amend F24F 8/70
2021/0207386 A1 * 7/2021 Bordin B32B 3/06
2022/0064435 A1 * 3/2022 Liao C08J 5/18

* cited by examiner

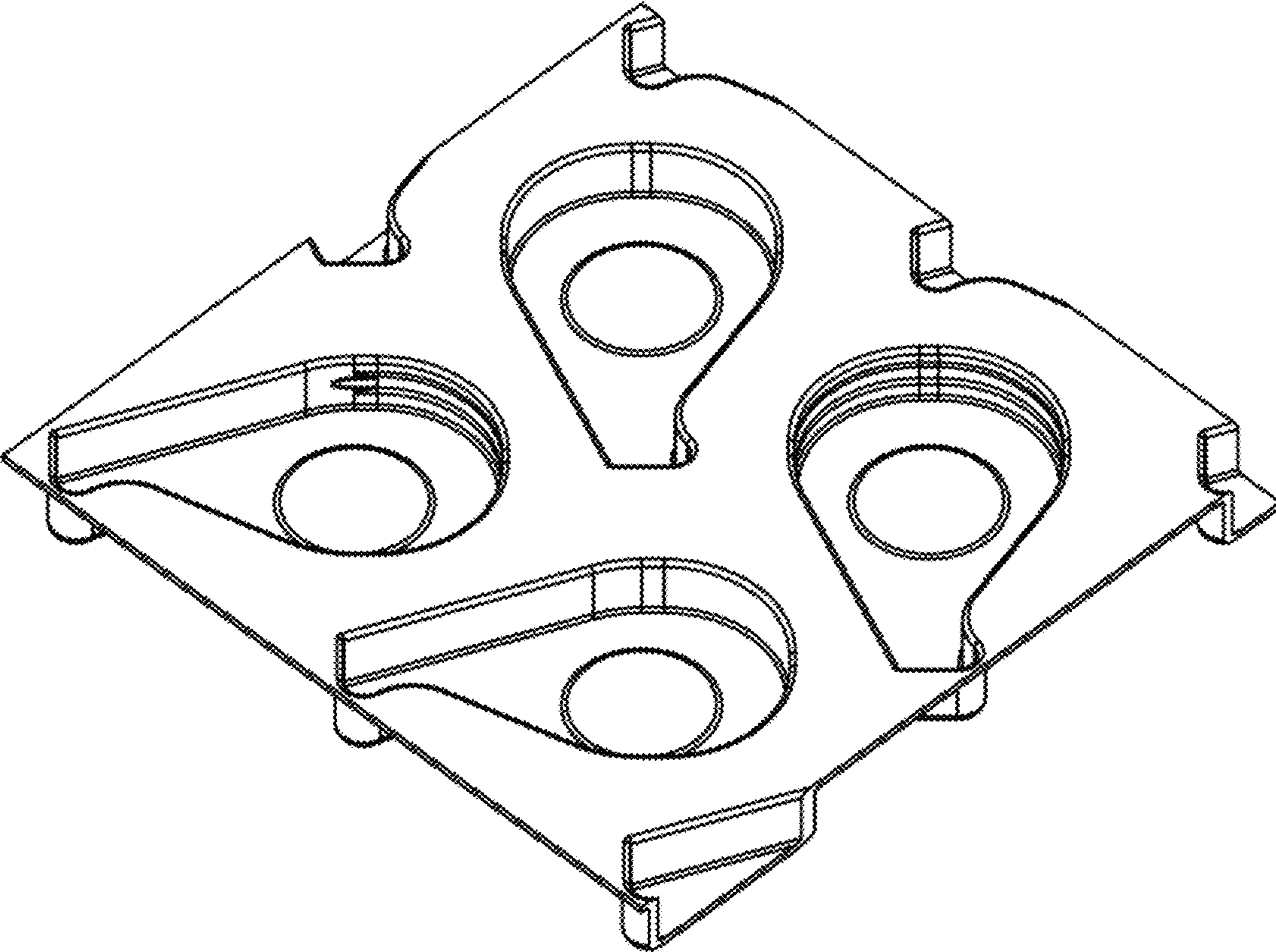


FIG. 1

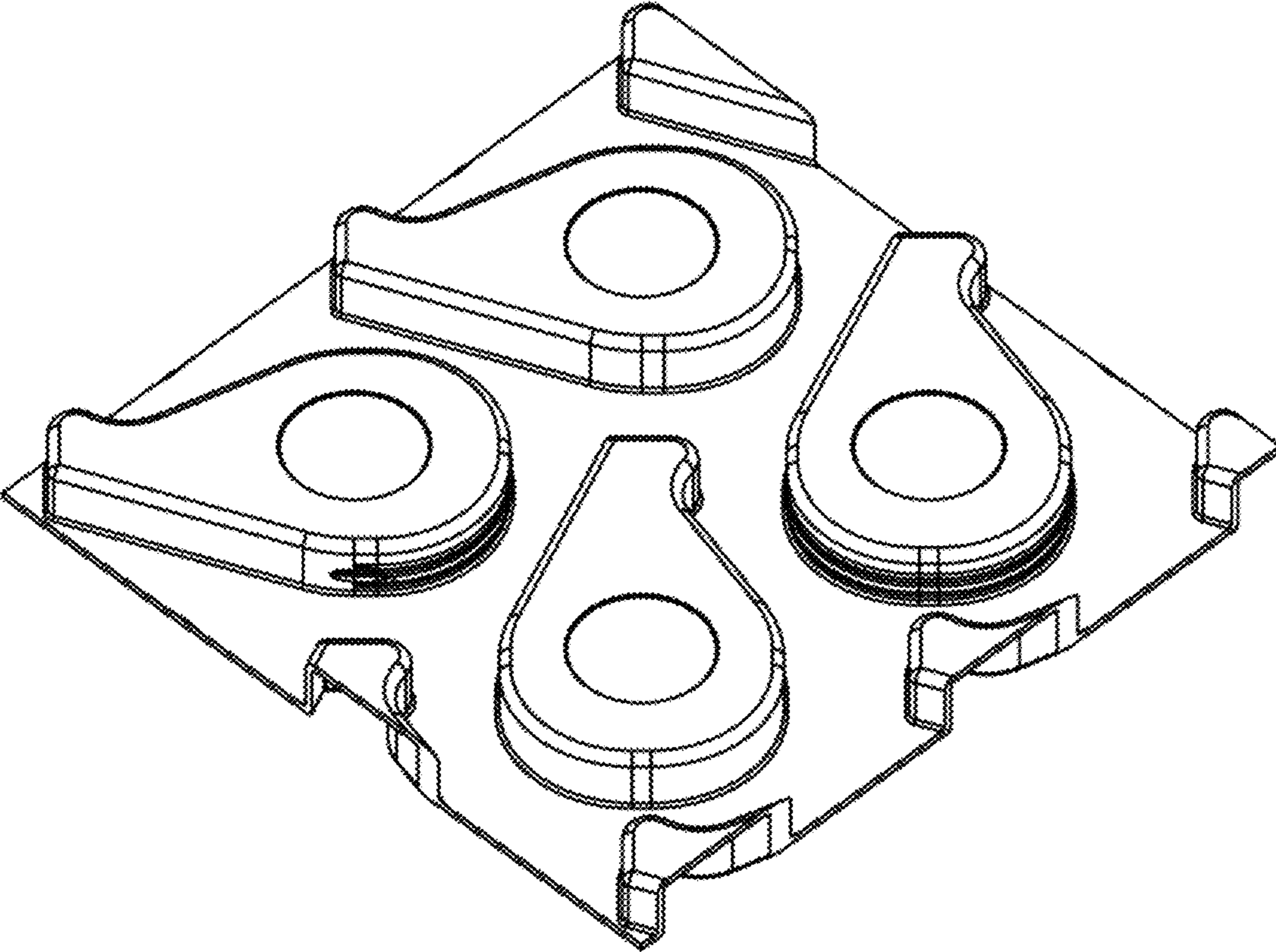


FIG. 2

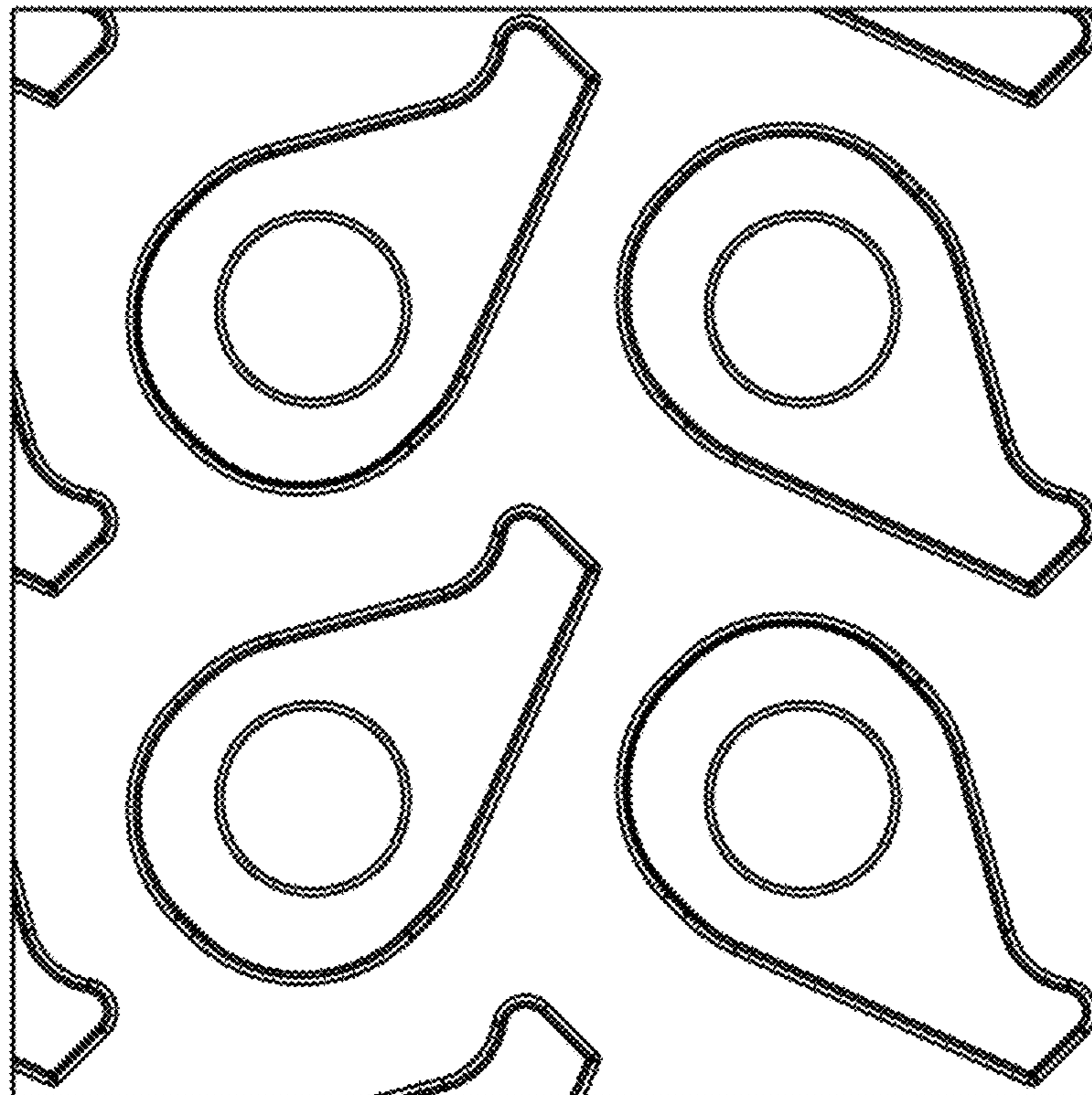


FIG. 3

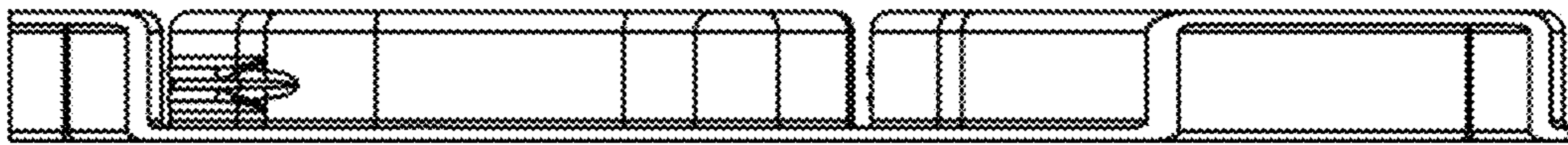


FIG. 4