



US00D983415S

(12) **United States Design Patent** (10) **Patent No.:** **US D983,415 S**  
**Foley** (45) **Date of Patent:** **\*\* Apr. 11, 2023**

- (54) **MAST BASE CONNECTOR** 5,842,746 A \* 12/1998 Rogers ..... A47C 31/10  
297/219.1
- (71) Applicant: **P4 Infrastructure, Inc.**, Milwaukee, WI (US) 6,216,414 B1 4/2001 Feldberg  
6,513,625 B1 \* 2/2003 Gaskins ..... E06C 7/488  
182/206
- (72) Inventor: **Christopher M. Foley**, Milwaukee, WI (US) 6,712,330 B1 3/2004 Damiano  
6,820,389 B1 11/2004 Macchietto  
6,833,505 B1 12/2004 Macchietto  
6,857,615 B2 2/2005 Puckett et al.  
6,857,808 B1 2/2005 Sugimoto et al.  
D599,915 S 9/2009 Godwin  
D602,175 S 10/2009 Droomer  
7,694,476 B2 4/2010 Cook et al.  
7,694,487 B1 4/2010 Ryan  
D625,029 S 10/2010 Badgley et al.
- (73) Assignee: **P4 Infrastructure, Inc.**, Milwaukee, WI (US)
- (\*\*) Term: **15 Years**
- (21) Appl. No.: **29/733,923**
- (22) Filed: **May 7, 2020**

(Continued)

**FOREIGN PATENT DOCUMENTS**

EP 1617015 B1 9/2009

*Primary Examiner* — Samantha Q Lawrence  
(74) *Attorney, Agent, or Firm* — Reinhart Boerner Van Deuren s.c.

**Related U.S. Application Data**

- (62) Division of application No. 29/643,840, filed on Apr. 12, 2018, now Pat. No. Des. 887,026.
- (51) **LOC (14) Cl.** ..... **25-01**
- (52) **U.S. Cl.**  
USPC ..... **D25/133**
- (58) **Field of Classification Search**  
USPC ..... D25/119, 125, 126, 127, 128, 129, 130,  
D25/131, 132, 133, 134, 135, 136, 38,  
D25/43; D8/354  
CPC ... E04H 12/2261; E04H 12/08; E04H 12/085;  
E04H 12/2269; E01F 9/696; E04C 3/32;  
F16B 2200/50; F16F 15/02; Y10T  
403/7117  
See application file for complete search history.

**CLAIM**

(57) I claim the ornamental design for the mast base connector, as shown and described.

**DESCRIPTION**

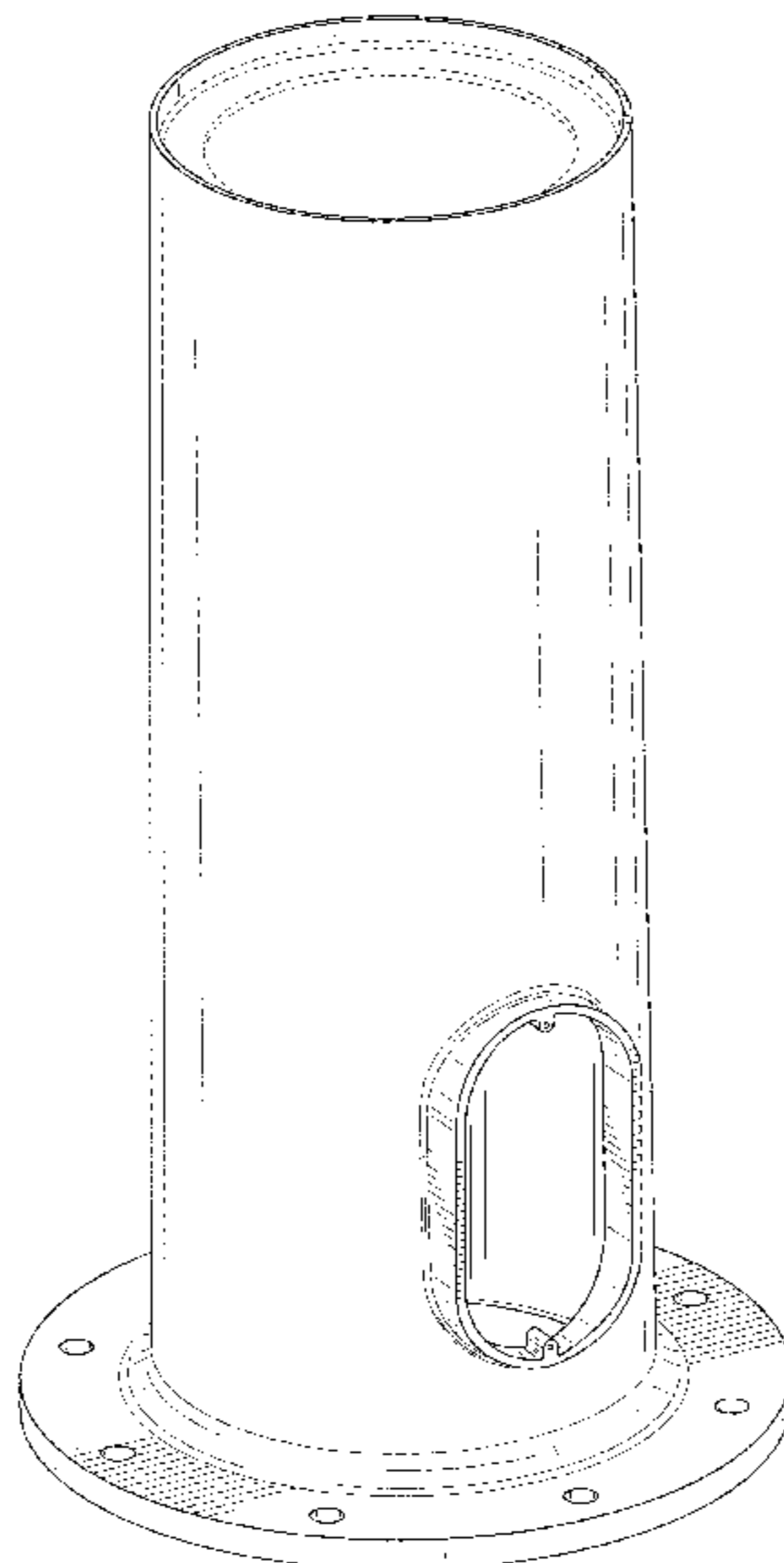
FIG. 1 is a top front perspective view of a mast base connector;  
FIG. 2 is a top rear perspective view thereof;  
FIG. 3 is a bottom rear perspective view thereof;  
FIG. 4 is a bottom front perspective view thereof;  
FIG. 5 is a front view thereof;  
FIG. 6 is a rear view thereof;  
FIG. 7 is a right side view thereof;  
FIG. 8 is a left side view thereof;  
FIG. 9 is a top view thereof;  
FIG. 10 is a bottom view thereof; and,  
FIG. 11 is a top front perspective view thereof.

**1 Claim, 11 Drawing Sheets**

**References Cited**

**U.S. PATENT DOCUMENTS**

- 3,444,512 A 5/1969 Reinitz
- 3,854,685 A 12/1974 Parduhn
- 3,952,978 A 4/1976 Reinitz
- 4,914,258 A 4/1990 Jackson
- 5,481,846 A 1/1996 Macchietto



(56)

**References Cited**

U.S. PATENT DOCUMENTS

8,074,955	B2	12/2011	Kumar et al.	
D673,306	S	12/2012	Chung	
D696,835	S	12/2013	Rogerson	
8,756,874	B2	6/2014	Hurlebaus et al.	
8,757,598	B1	6/2014	Jones	
9,343,887	B2	5/2016	Butler	
10,193,320	B1	1/2019	Milligan et al.	
10,550,588	B2 *	2/2020	Smith	E04G 21/166
D892,193	S *	8/2020	Masuda	D16/208
D948,753	S *	4/2022	Rashid	D25/133
D948,754	S *	4/2022	Rashid	D25/133
D960,396	S *	8/2022	Rashid	D25/133
2003/0037990	A1 *	2/2003	Testa, Jr.	E06C 1/52 248/237
2006/0232490	A1	10/2006	Bisiules et al.	
2012/0240498	A1	9/2012	Hurlebaus et al.	
2019/0236944	A1	8/2019	Diekfuss et al.	

\* cited by examiner

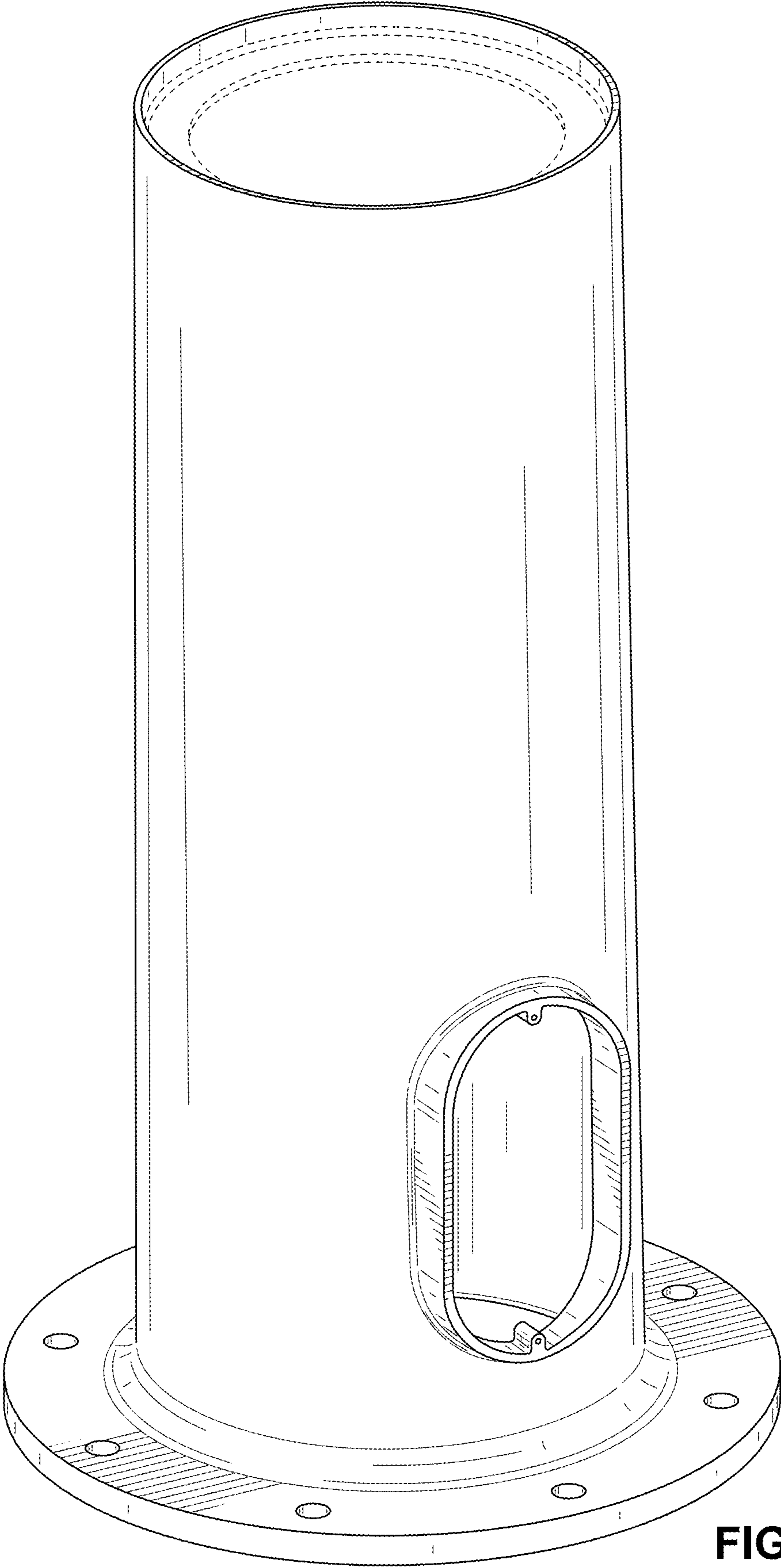


FIG. 1

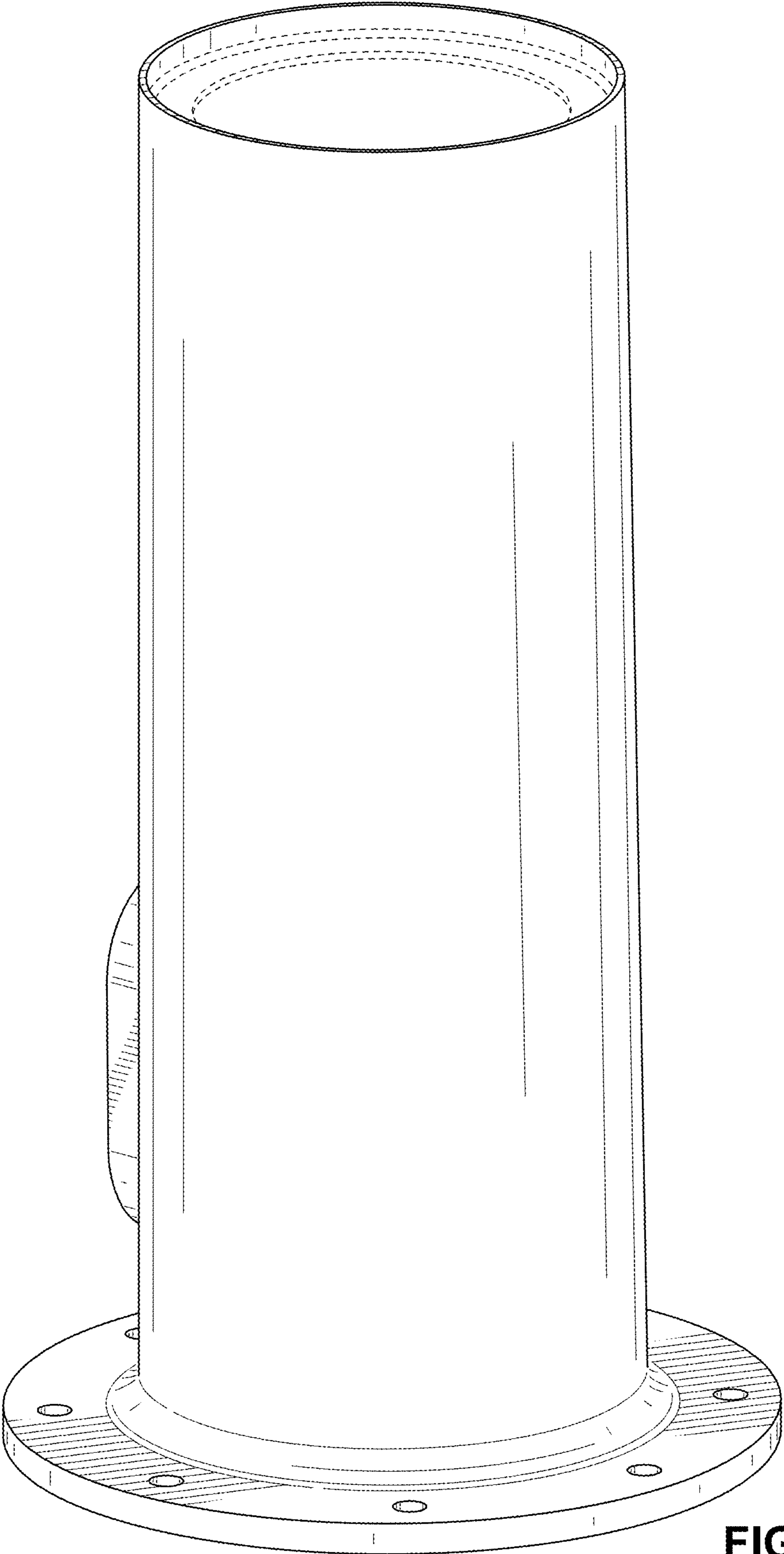
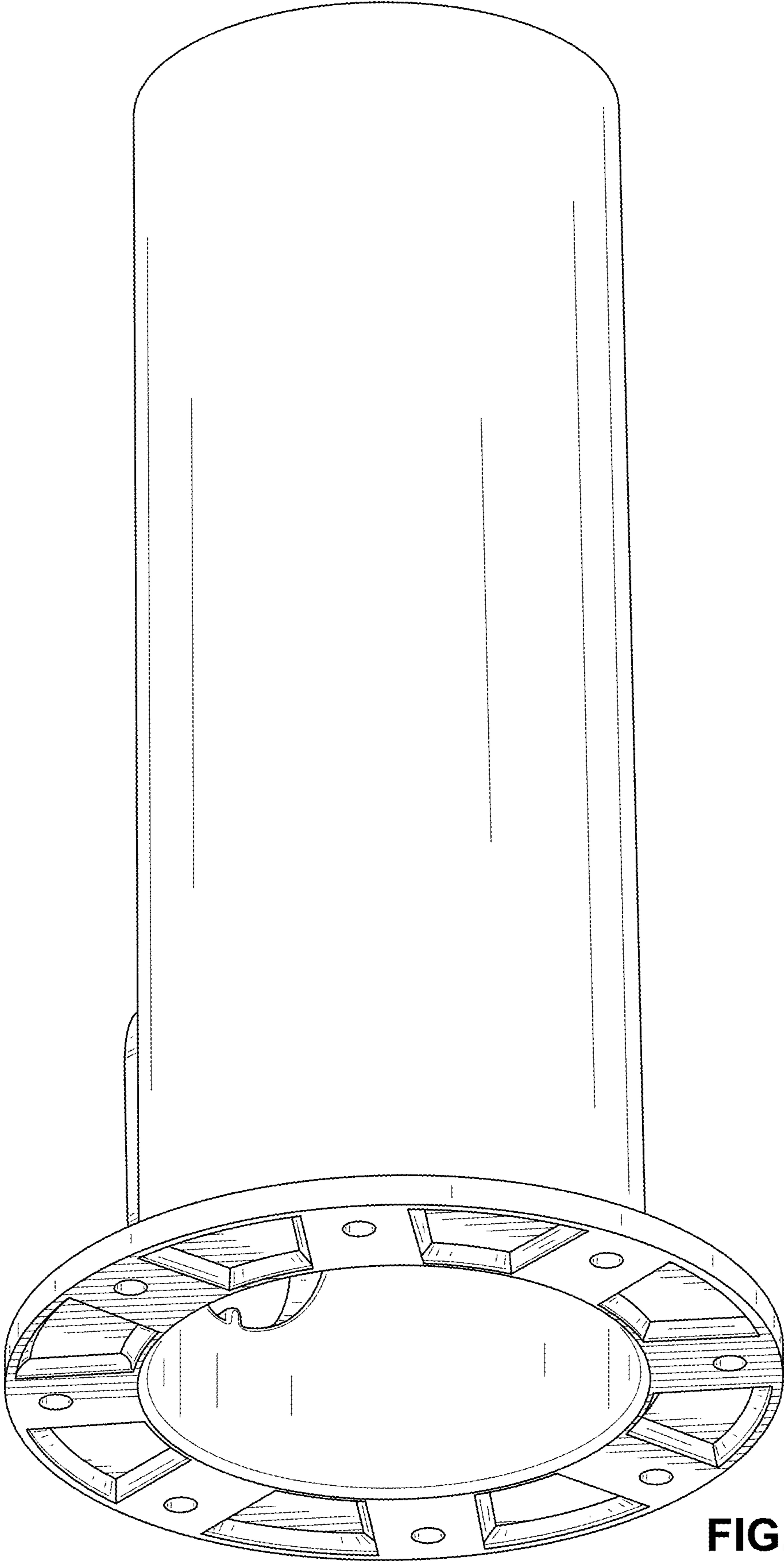


FIG. 2



**FIG. 3**

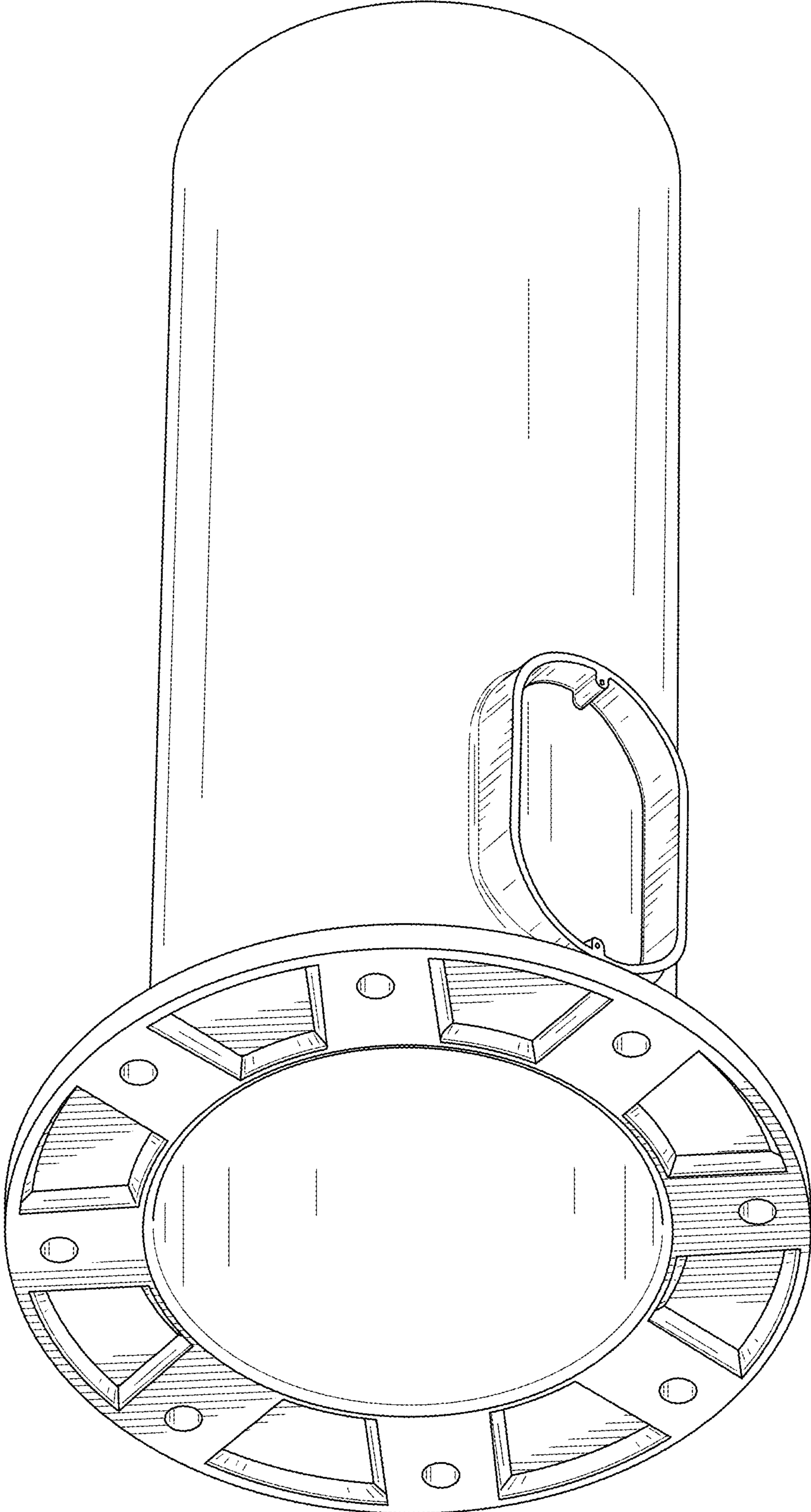


FIG. 4

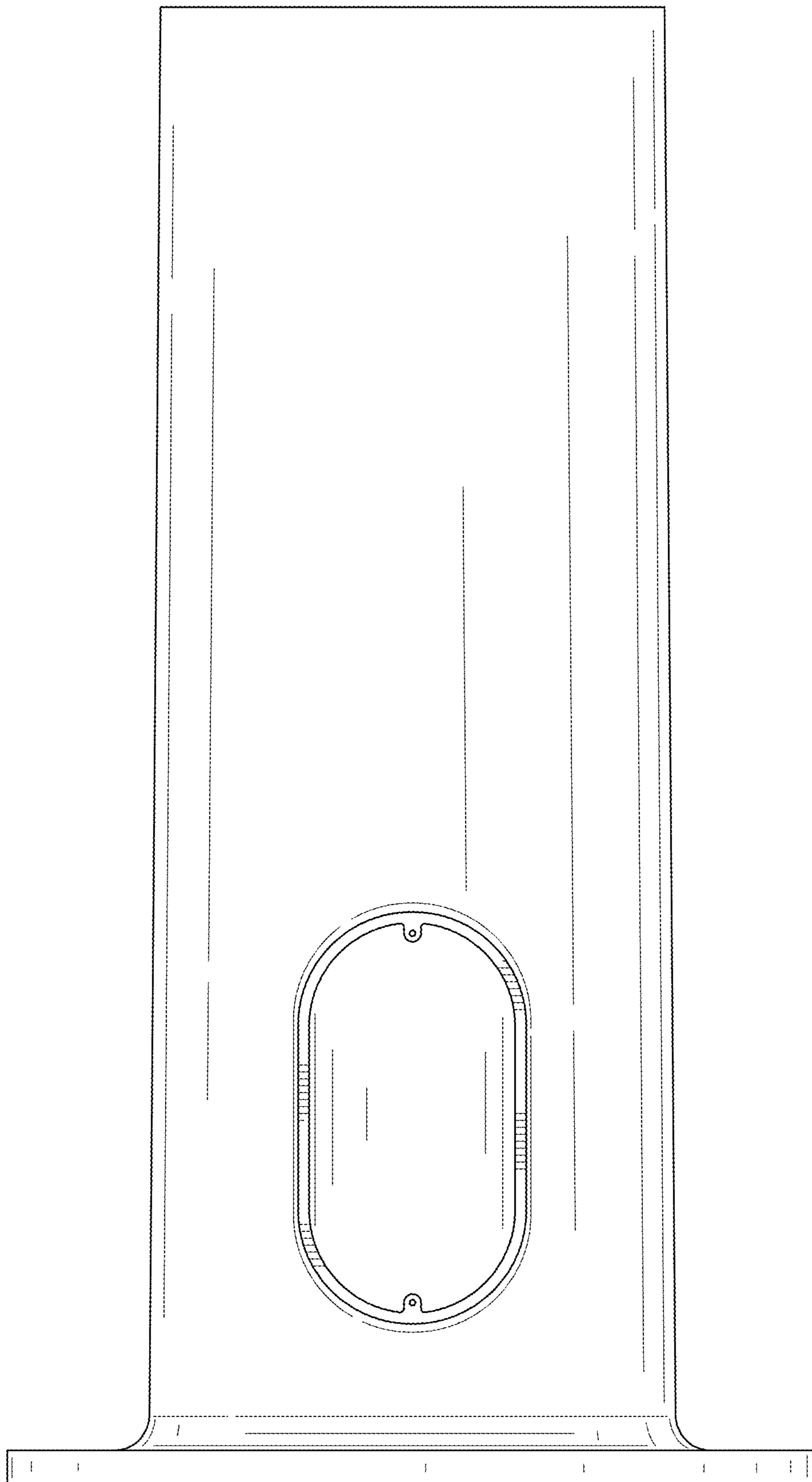


FIG. 5

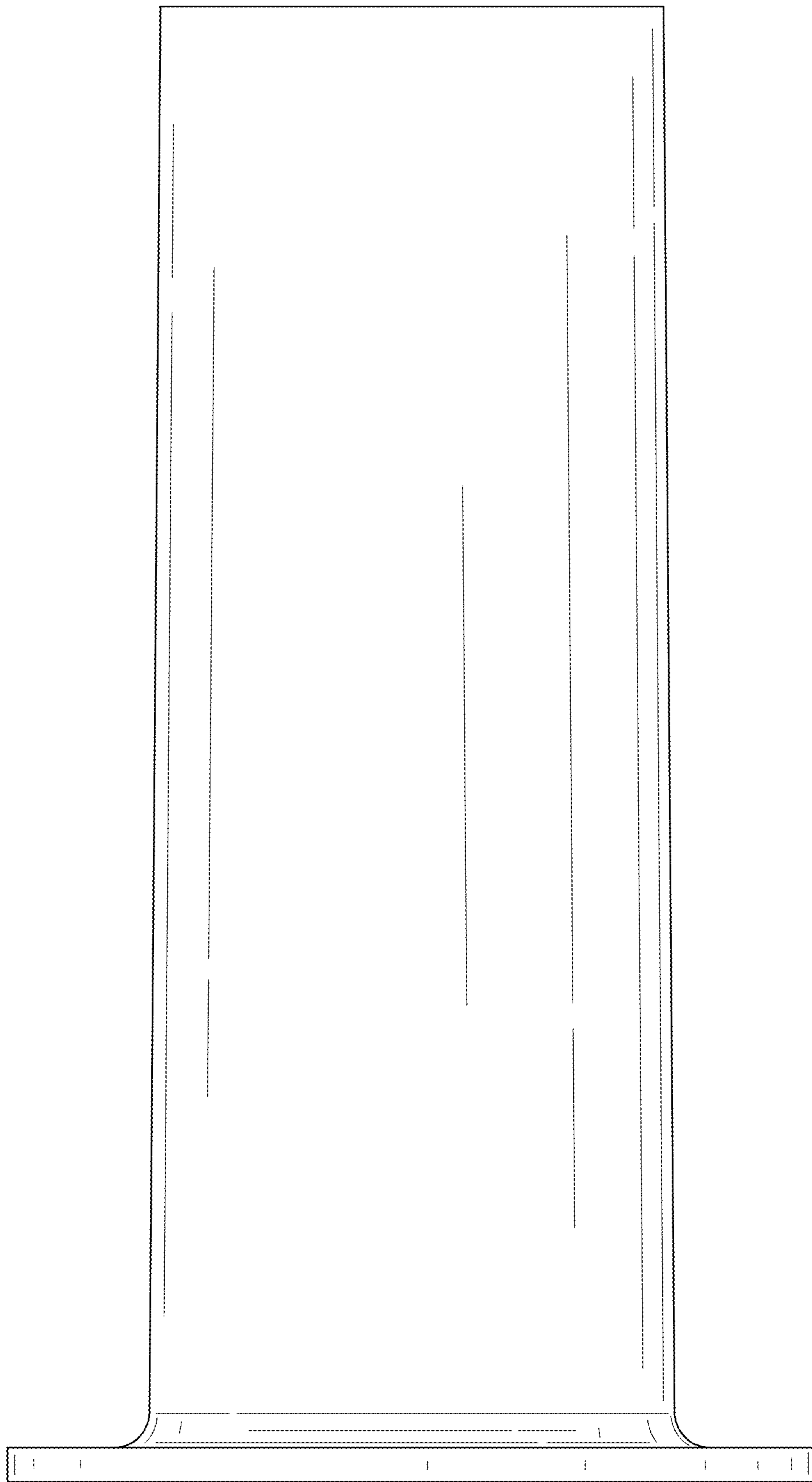


FIG. 6



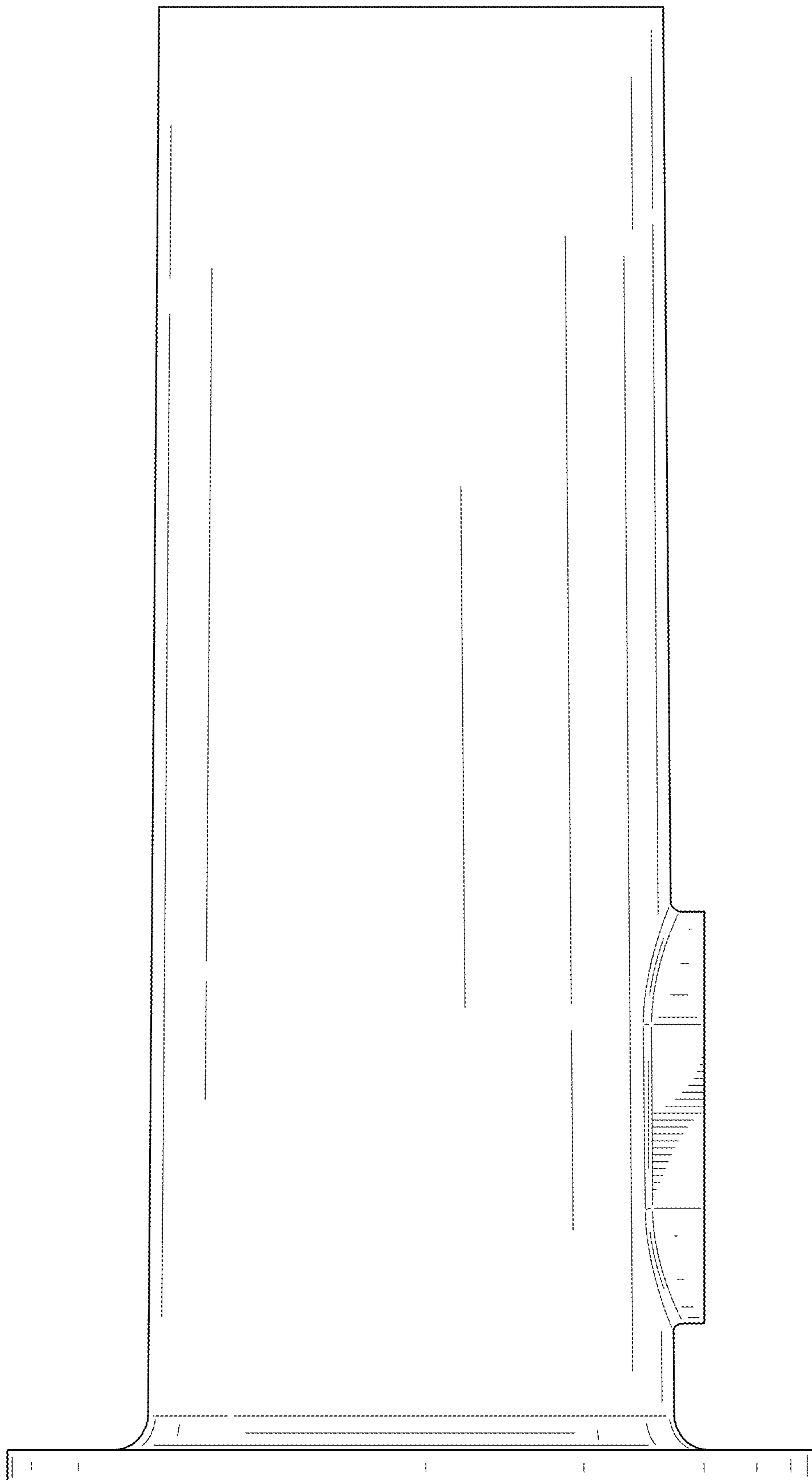


FIG. 7

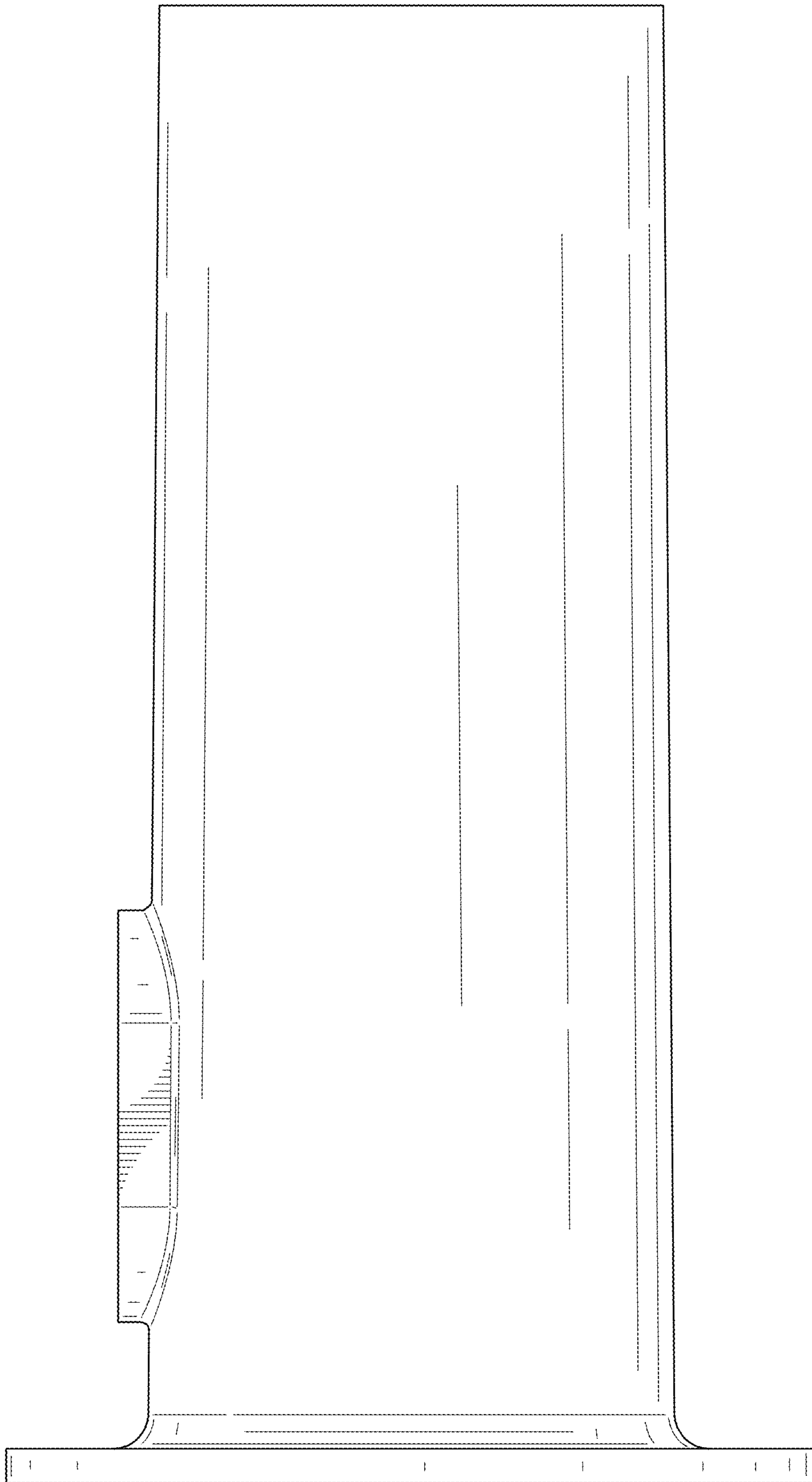


FIG. 8

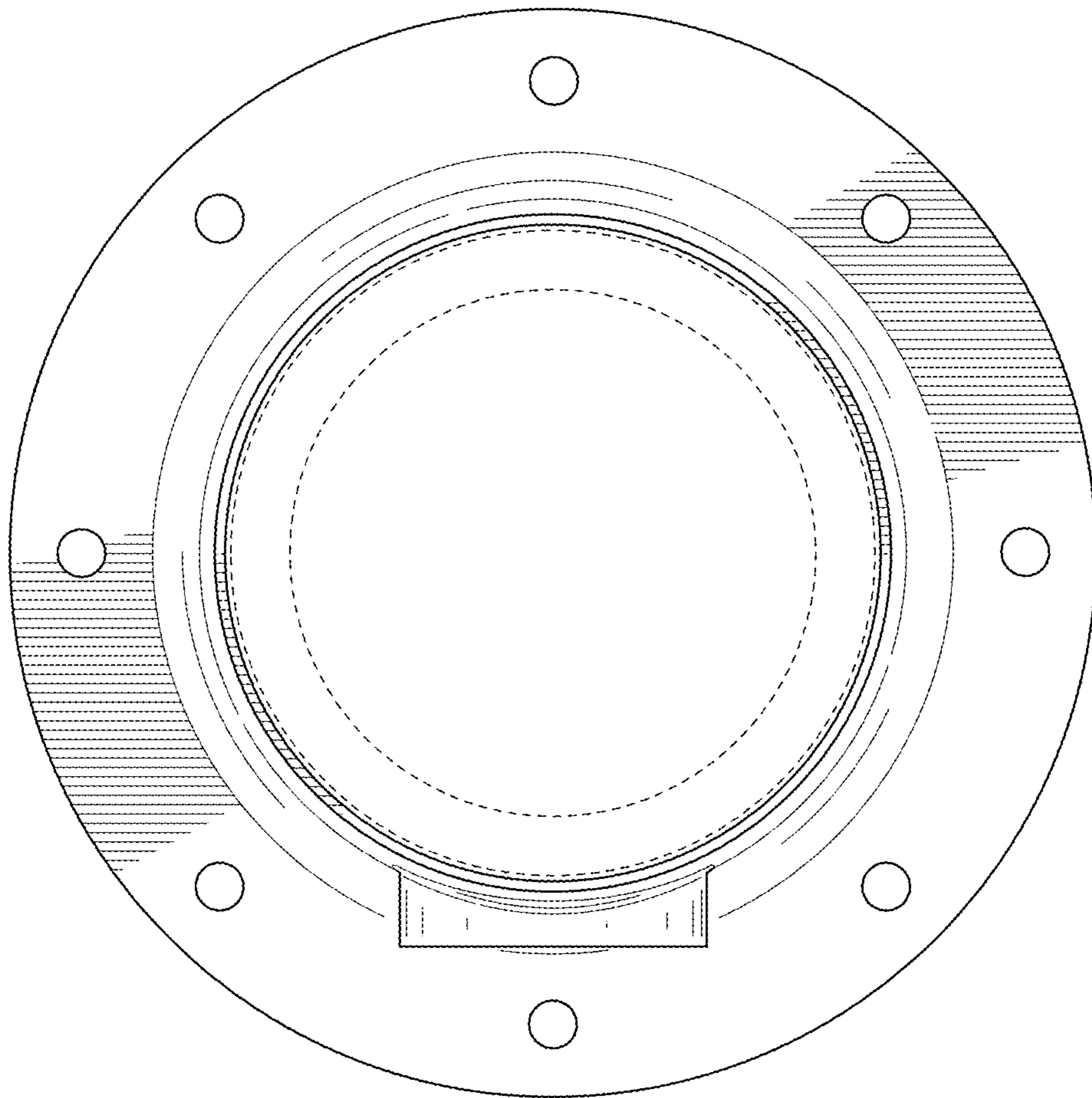


FIG. 9

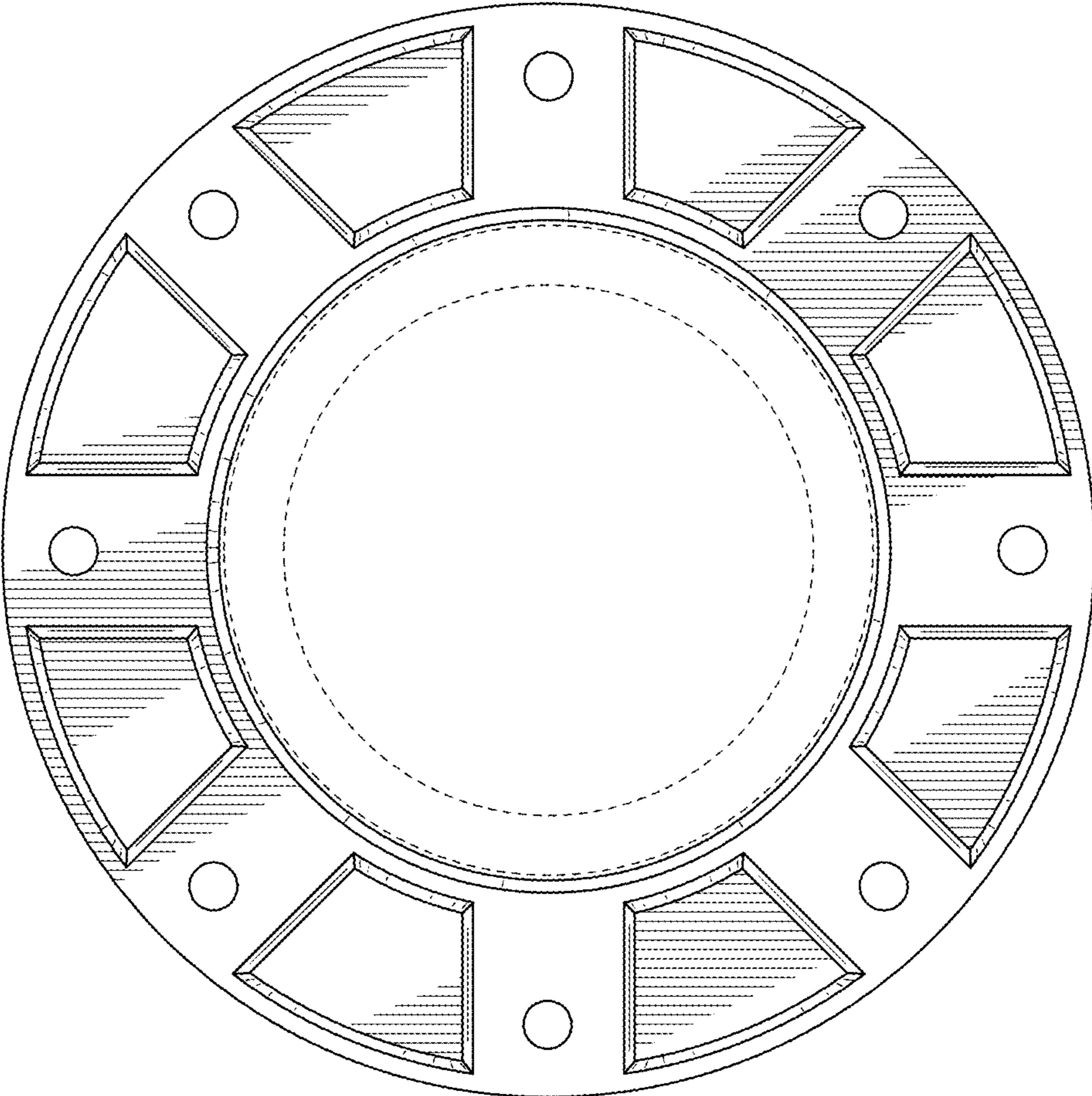


FIG. 10

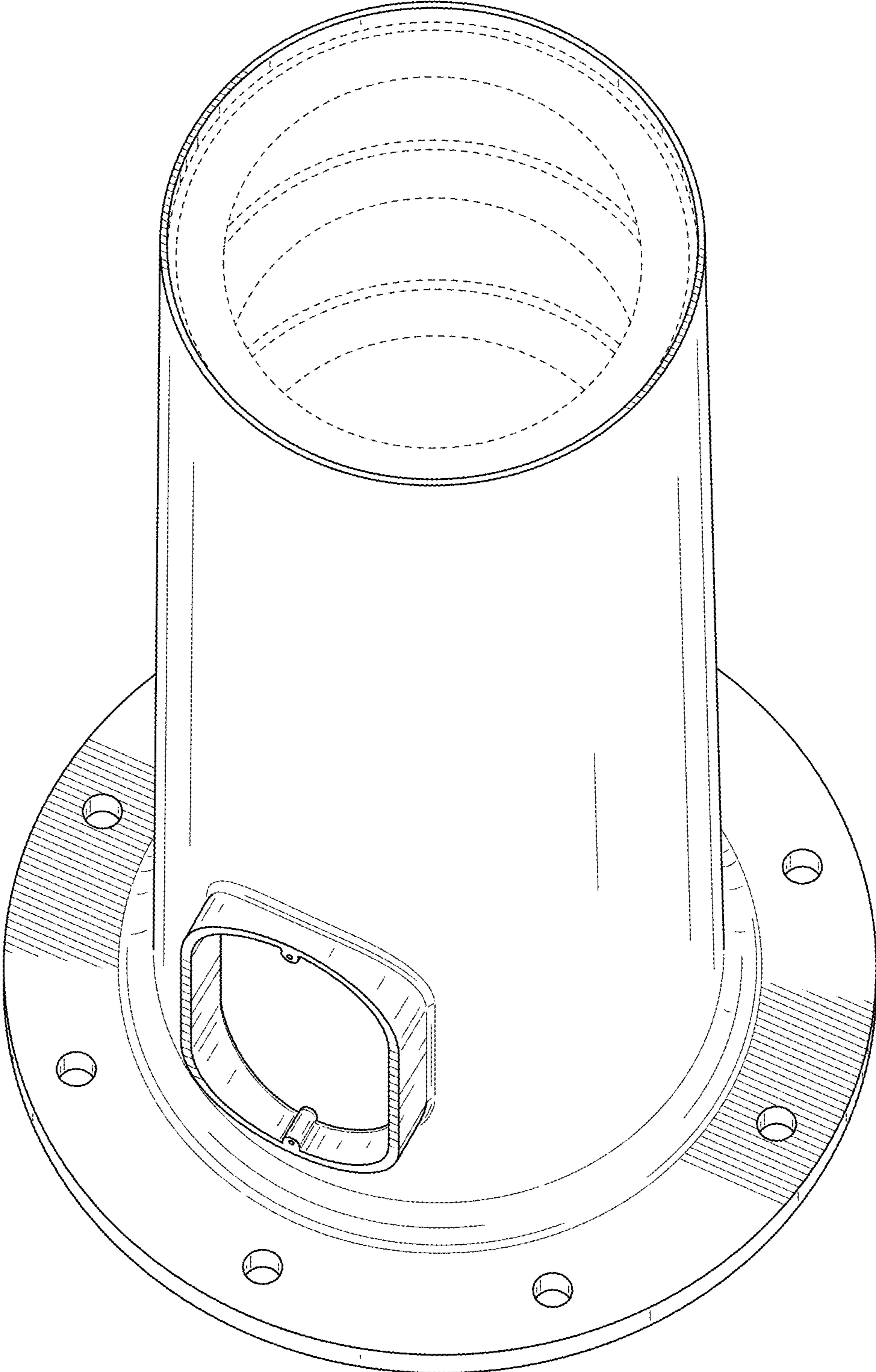


FIG. 11