



US00D983408S

(12) **United States Design Patent**
Liu et al.

(10) **Patent No.:** **US D983,408 S**
(45) **Date of Patent:** **** Apr. 11, 2023**

(54) **CAPILLARY ELECTROPHORESIS CARTRIDGE**

2035/00019; G01N 2035/00306; G01N 2035/00326; G01N 2021/0346

See application file for complete search history.

(71) Applicant: **Life Technologies Corporation**,
Carlsbad, CA (US)

(56) **References Cited**

(72) Inventors: **David M. Liu**, Los Altos, CA (US);
Kirk M. Hirano, Foster City, CA (US);
Albert L. Carrillo, South San Francisco, CA (US); **Alexander V. Dukhovny**, San Francisco, CA (US);
Joseph A. Lazur, Carlsbad, CA (US);
Peng Li, Ridgewood, NJ (US); **Joshua Mead**, San Diego, CA (US)

U.S. PATENT DOCUMENTS

D637,310 S * 5/2011 Barbieux D24/216
D706,933 S * 6/2014 Feurst D24/169
D706,934 S * 6/2014 Feurst D24/169

(Continued)

Primary Examiner — Mary Shannon Malley
(74) *Attorney, Agent, or Firm* — Mauriel Kapouytian Woods LLP; Benjamin Charkow; Michael Mauriel

(73) Assignee: **Life Technologies Corporation**,
Carlsbad, CA (US)

(57) **CLAIM**

(**) Term: **15 Years**

The ornamental design for a capillary electrophoresis cartridge, as shown and described.

(21) Appl. No.: **29/842,625**

DESCRIPTION

(22) Filed: **Jun. 14, 2022**

Related U.S. Application Data

(62) Division of application No. 29/691,961, filed on May 21, 2019, now Pat. No. Des. 958,403, which is a division of application No. 29/591,865, filed on Jan. 24, 2017, now Pat. No. Des. 852,979.

FIG. 1 is a front perspective view of a capillary electrophoresis cartridge.

FIG. 2 is a back perspective view of the capillary electrophoresis cartridge shown in FIG. 1.

FIG. 3 is a front view of the capillary electrophoresis cartridge shown in FIG. 1.

FIG. 4 is a back view of the capillary electrophoresis cartridge shown in FIG. 1.

FIG. 5 is a side view of the capillary electrophoresis cartridge shown in FIG. 1.

FIG. 6 is a side view of the capillary electrophoresis cartridge shown in FIG. 1.

FIG. 7 is a top view of the capillary electrophoresis cartridge shown in FIG. 1; and,

FIG. 8 is a bottom view of the capillary electrophoresis cartridge shown in FIG. 1.

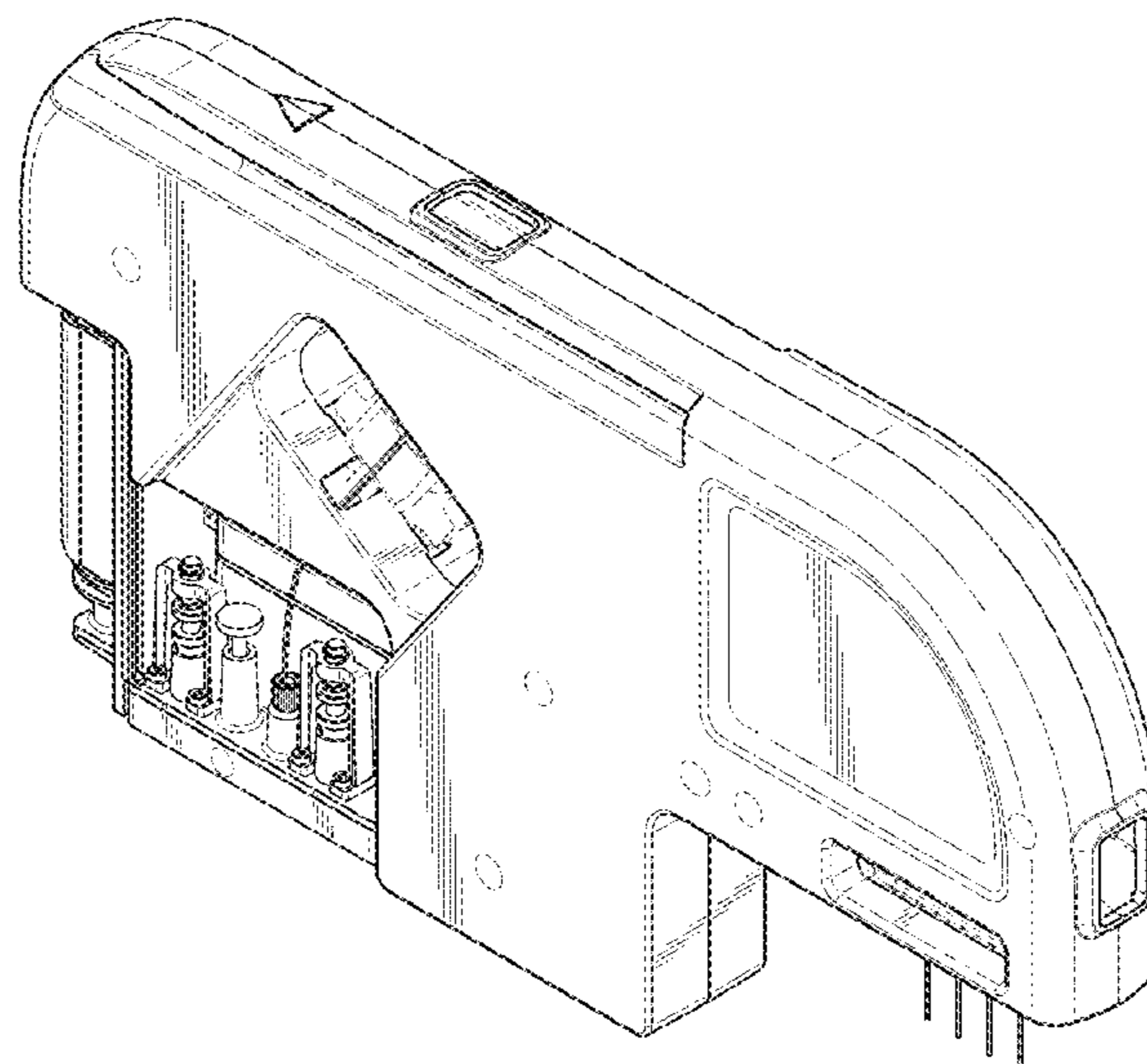
The broken lines show portions of the capillary electrophoresis cartridge that form no part of the claimed design.

(51) **LOC (14) Cl.** **24-01**

(52) **U.S. Cl.**
USPC **D24/233**

(58) **Field of Classification Search**
USPC D24/216–233, 107, 169, 186; D10/81
CPC B01L 2200/10; B01L 2200/16; B01L 2300/0809; B01L 2300/0816; B01L 2300/0819; B01L 2300/0822; B01L 2300/0829; B01L 2300/0832; B01L 2300/0838; B01L 2300/0806; B01L 2300/0861; B01L 2300/0883; B01L 2300/0893; B01L 2300/0877; G01N 35/00029; G01N 35/08; G01N

1 Claim, 6 Drawing Sheets



(56)

References Cited

U.S. PATENT DOCUMENTS

D739,553 S * 9/2015 Yang D24/232
D767,782 S * 9/2016 Cao D24/216
D772,426 S * 11/2016 Sanchez D24/222
D799,055 S * 10/2017 Kennedy D24/224
D800,336 S * 10/2017 Chang D24/224
D852,979 S 7/2019 Liu et al.
D958,403 S 7/2022 Liu et al.
2010/0291588 A1* 11/2010 McDevitt G01N 33/491
435/7.2
2014/0174160 A1* 6/2014 Michienzi G01N 30/06
73/61.55
2014/0315238 A1* 10/2014 Farrell G01N 15/1463
435/29
2016/0245793 A1* 8/2016 Samssoondar G01N 33/49

* cited by examiner

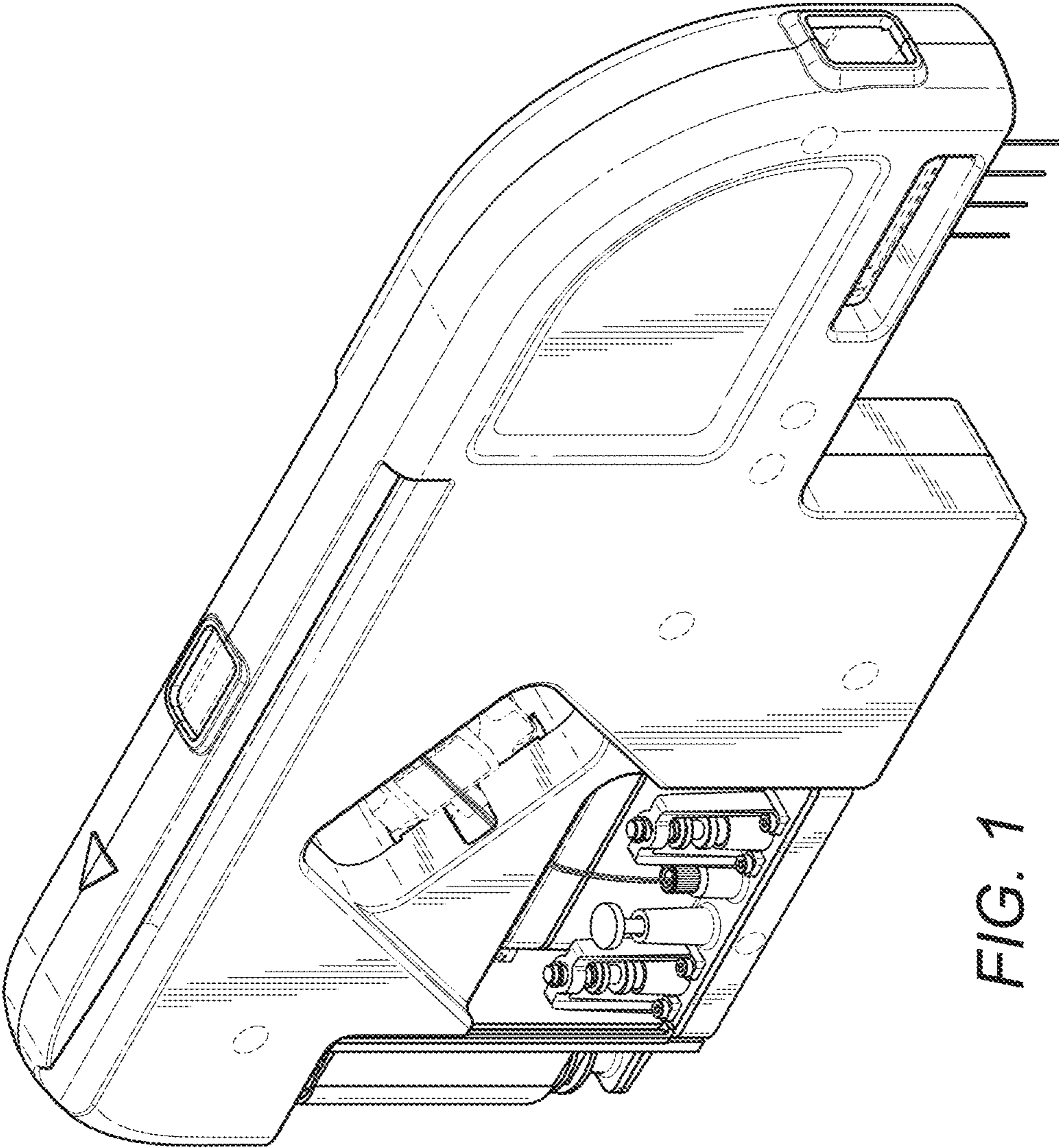


FIG. 1

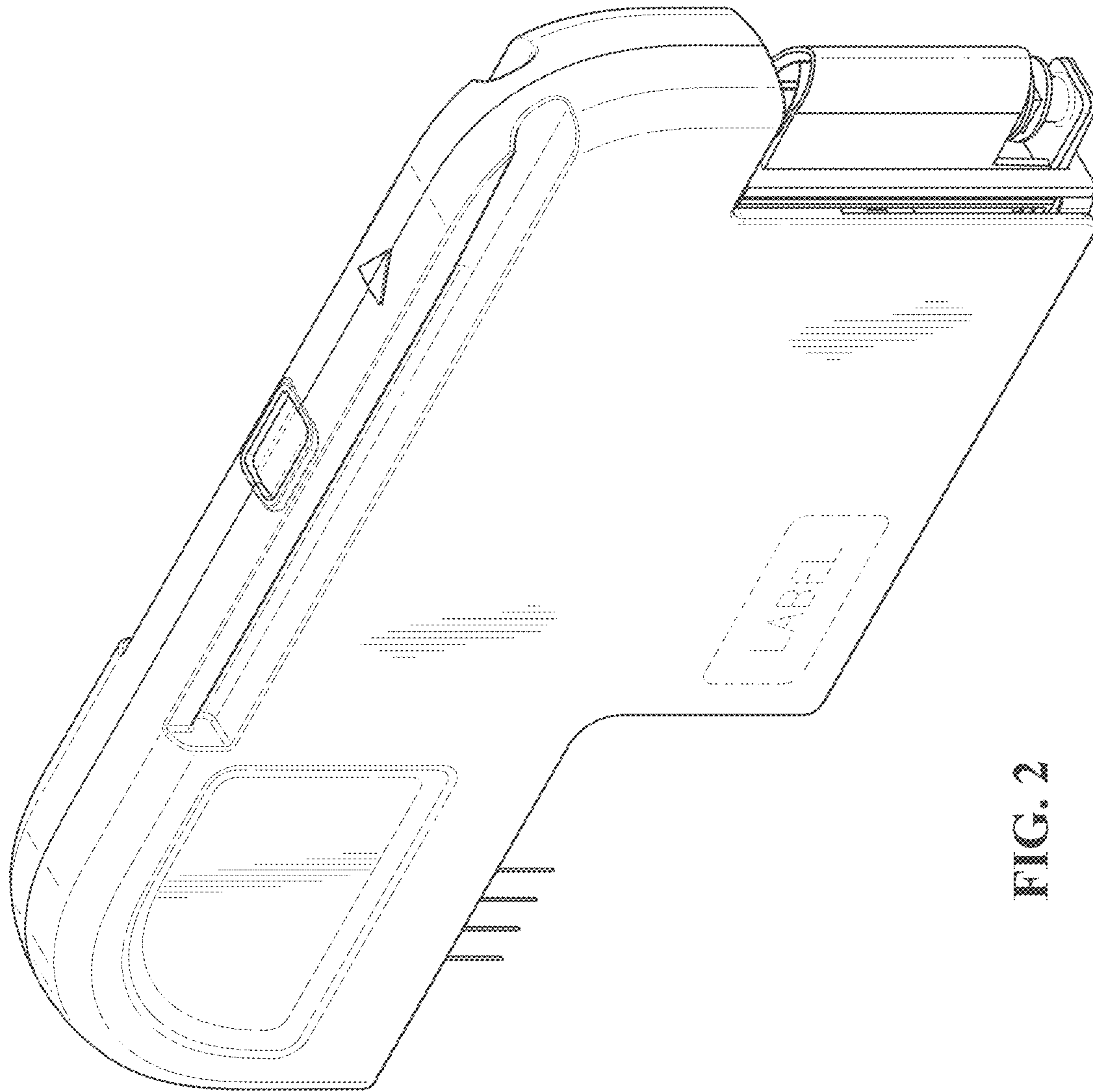


FIG. 2

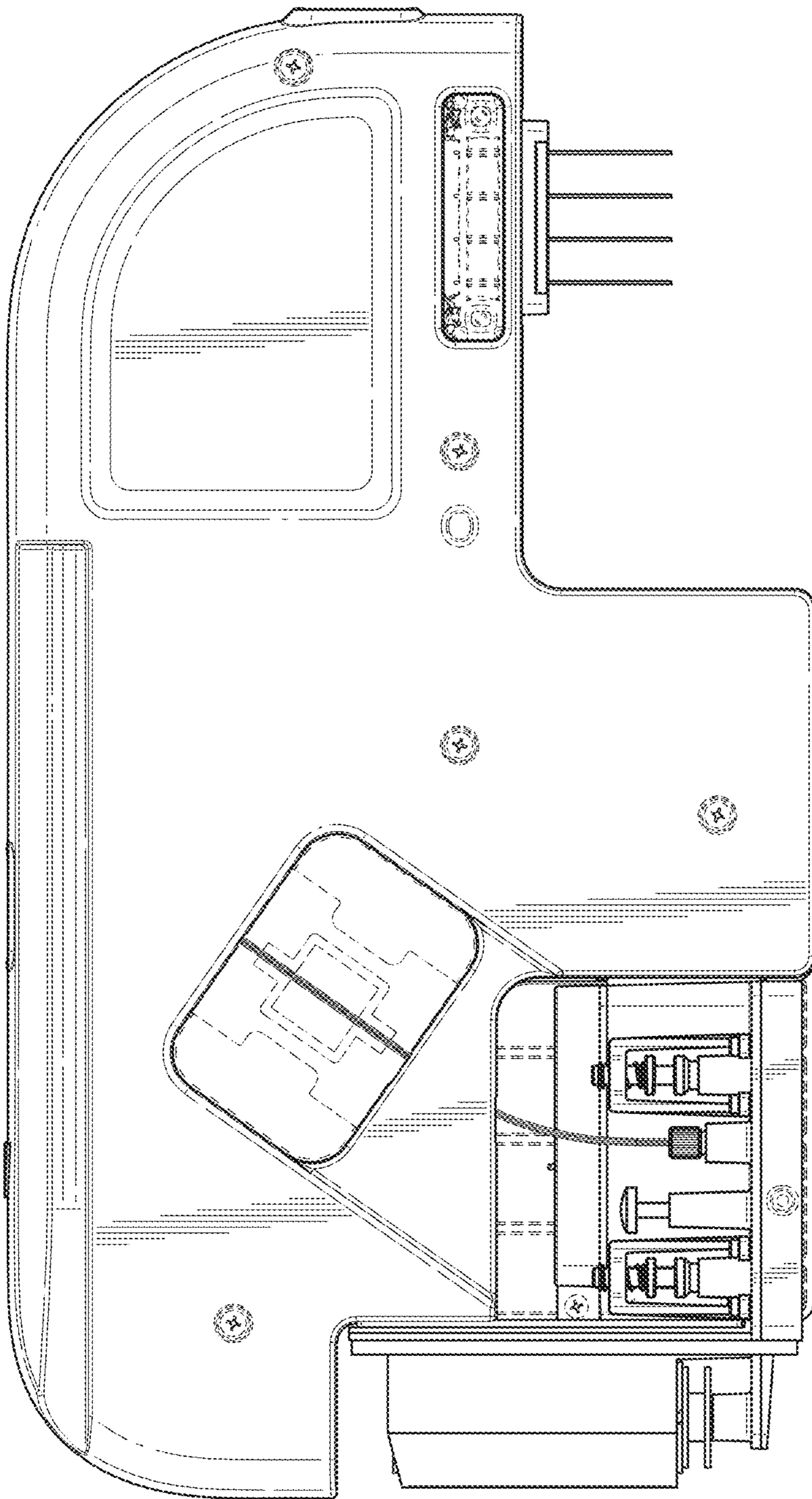


FIG. 3

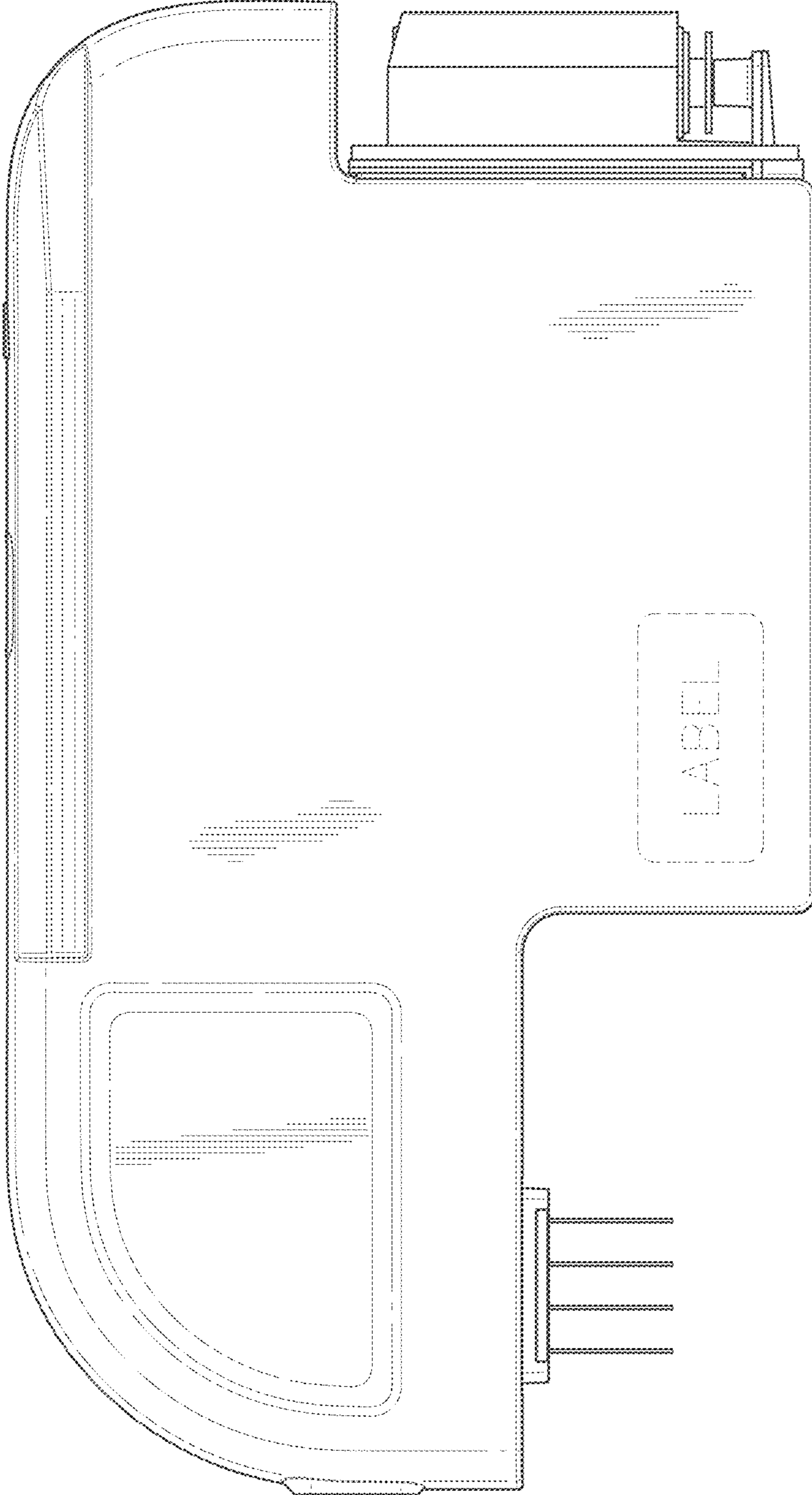


FIG. 4

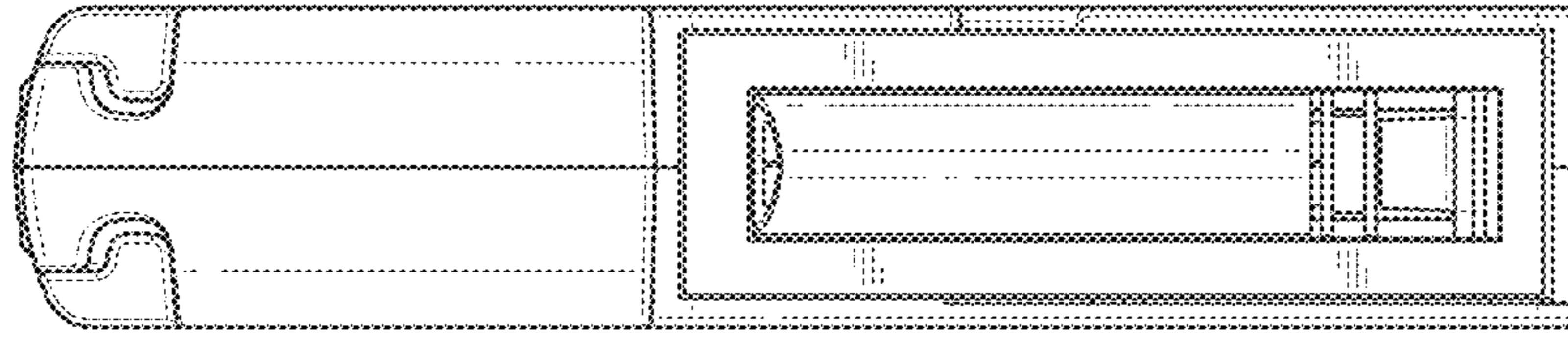


FIG. 6

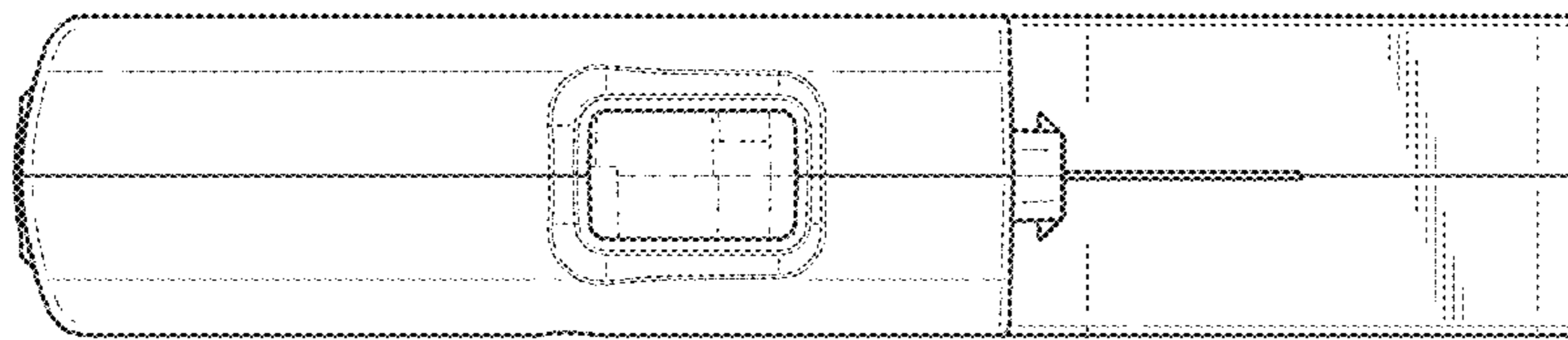


FIG. 5

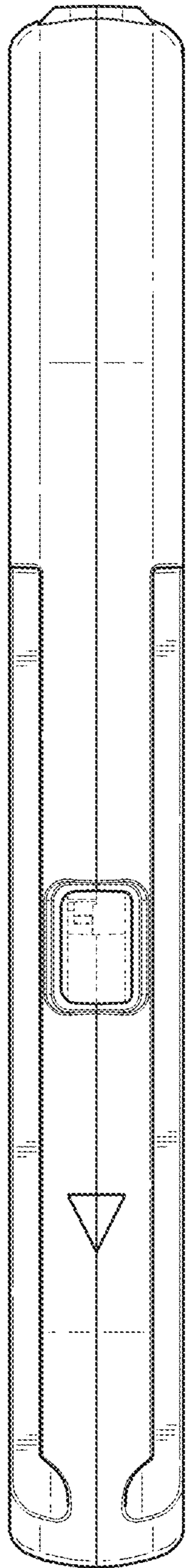


FIG. 7

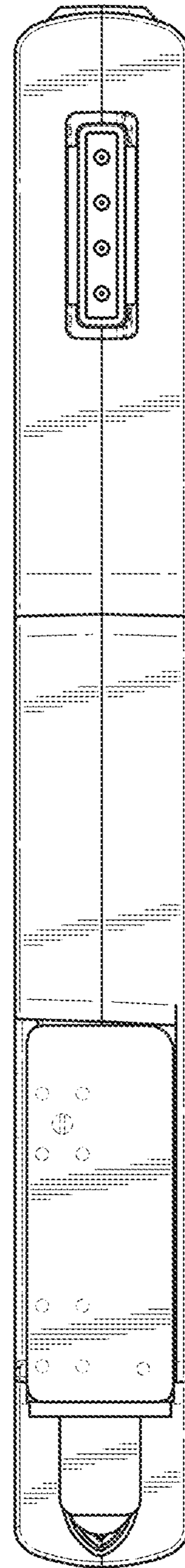


FIG. 8