



US00D983407S

(12) **United States Design Patent**  
**Scavola et al.**

(10) **Patent No.:** **US D983,407 S**  
(45) **Date of Patent:** **\*\* Apr. 11, 2023**

(54) **AMPULE CRUSH TOOL**  
(71) Applicant: **Verrica Pharmaceuticals Inc.**, West Chester, PA (US)  
(72) Inventors: **Eugene R. Scavola**, Charlottesville, VA (US); **Paul Daly**, Plymouth, NH (US); **Gregory Alcorn**, Valley Forge, PA (US); **Vicki Fluck**, Quakertown, PA (US)  
(73) Assignee: **Verrica Pharmaceuticals Inc.**, West Chester, PA (US)

4,353,869 A \* 10/1982 Guth ..... B67B 7/92  
422/561  
4,417,679 A \* 11/1983 Shields ..... B67B 7/92  
83/100  
D312,876 S \* 12/1990 Spock ..... D24/231  
D330,598 S \* 10/1992 Bottner ..... D9/504

(Continued)

**FOREIGN PATENT DOCUMENTS**

GB 6131719 \* 4/2021  
HK 2117857-0002 \* 5/2021

**OTHER PUBLICATIONS**

SnapIT—Instructions for Use, Aug. 8, 2011, youtube.com [online], [site visited Apr. 8, 2022], Available from internet, URL: <https://www.youtube.com/watch?v=Od5WShZIOoY> (Year: 2011).\*

(Continued)

*Primary Examiner* — Wendy L Arminio  
*Assistant Examiner* — Maheen Khurshid  
(74) *Attorney, Agent, or Firm* — Wolf, Greenfield & Sacks, P.C.

(\*\*) Term: **15 Years**  
(21) Appl. No.: **29/755,448**  
(22) Filed: **Oct. 20, 2020**  
(51) **LOC (14) Cl.** ..... **24-99**  
(52) **U.S. Cl.**  
USPC ..... **D24/231**  
(58) **Field of Classification Search**  
USPC ..... D24/108, 220, 224, 114, 130, 231, 230, D24/164, 222  
CPC .. A61B 1/00; A61B 17/00; G02B 1/00; G02B 2207/00; G06V 10/00; A61M 1/00; A61M 3/00; A61M 11/00; A61M 15/00; A61M 25/00; B43K 1/00; G06T 1/00; G06T 2200/00; A61K 6/00; A61K 2121/00; A61J 1/00; A61J 7/00; A61J 2200/00  
See application file for complete search history.

(57) **CLAIM**

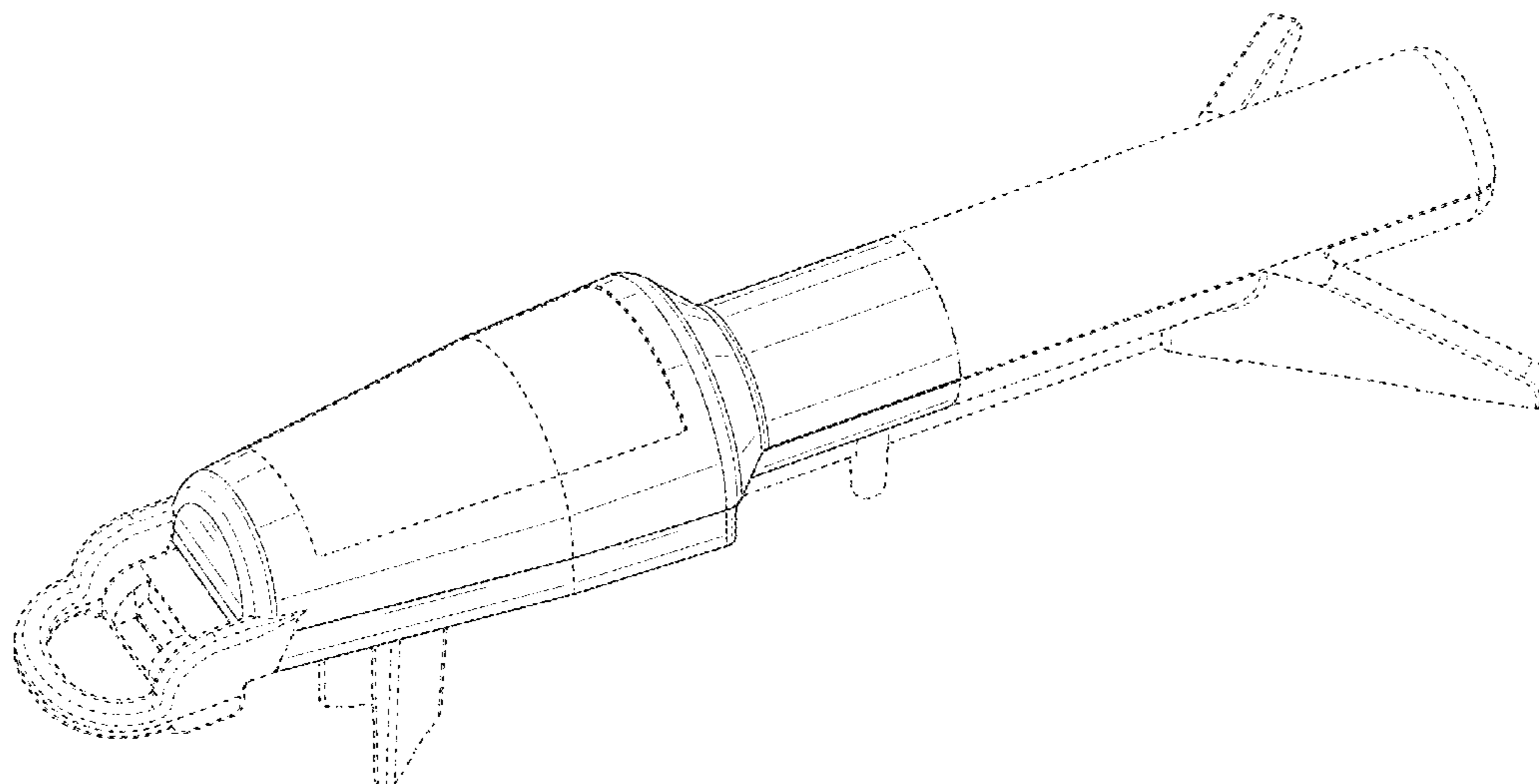
The ornamental design for an ampule crush tool, as shown and described.

**DESCRIPTION**

FIG. 1 is a top, front, and right side perspective view of an ampule crush tool according to our new design; FIG. 2 is a front elevation view thereof; FIG. 3 is a rear elevation view thereof; FIG. 4 is a left side elevation view thereof; FIG. 5 is a right side elevation view thereof; FIG. 6 is a top plan view thereof; and, FIG. 7 is a bottom plan view thereof. The dot-dash broken lines represent boundaries of the claimed design and form no part of the claimed design. The dash-dash broken lines depict portions of the ampule crush tool that form no part of the claimed design.

**1 Claim, 6 Drawing Sheets**

(56) **References Cited**  
U.S. PATENT DOCUMENTS  
2,232,978 A \* 2/1941 Smith ..... A61J 1/2093  
241/99  
2,297,335 A \* 9/1942 Wheaton, Jr. .... C03B 23/091  
215/47  
4,210,142 A \* 7/1980 Worder ..... B65D 51/002  
604/88



(56)

**References Cited**

U.S. PATENT DOCUMENTS

D375,788 S \* 11/1996 Potts ..... D24/129  
 6,022,339 A \* 2/2000 Fowles ..... A61J 1/1406  
 6,582,415 B1 \* 6/2003 Fowles ..... A61J 1/2089  
 6,613,022 B1 \* 9/2003 Doyle ..... A61M 5/326  
 D613,872 S \* 4/2010 Carota ..... D24/220  
 D628,061 S \* 11/2010 Nakano ..... D9/426  
 8,173,418 B2 5/2012 Sestak et al.  
 8,448,830 B2 5/2013 Starr  
 D900,312 S \* 10/2020 Davidson ..... D24/119  
 11,241,690 B2 \* 2/2022 Noguchi ..... B01L 3/5029  
 2003/0111552 A1 \* 6/2003 Vedrine ..... A61M 5/284  
 2008/0298879 A1 12/2008 Chesak et al.  
 2010/0010434 A1 \* 1/2010 Oyama ..... A61J 1/065  
 2012/0208285 A1 \* 8/2012 Deighan ..... A61M 16/04  
 2012/0224387 A1 \* 9/2012 Moore ..... F42B 8/00  
 2015/0216234 A1 \* 8/2015 Chung ..... A24F 40/485

2018/0092807 A1 \* 4/2018 Brandenburger ..... A61J 1/10  
 2018/0177993 A1 \* 6/2018 Fitzgerald ..... A61J 15/0026  
 2019/0015297 A1 \* 1/2019 Harada ..... B65D 11/02  
 2019/0159969 A1 \* 5/2019 Porter ..... A61J 1/1406  
 2021/0138214 A1 \* 5/2021 Davidson ..... A61K 9/06

OTHER PUBLICATIONS

Multifunctional Ampoule Opener, Sep. 28, 2018, youtube.com [online], [site visited Apr. 8, 2022], Available from internet, URL: <<https://www.youtube.com/watch?v=4kOrDXPJNvU>> (Year: 2018).\*  
 Health Care Ampule Opener, Jul. 6, 2016, youtube.com [online], [site visited Apr. 8, 2022], Available from internet, URL: <[https://www.amazon.com/Health-Care-7371-Ampule-Opener/dp/B00HYUN2W2/ref=sr\\_1\\_6?crd=2TYUY73PVFKAX&keywords=ampule+cutter+opener&qid=1649529532&sprefix=ampule+c%2Caps%2C192&sr=8-6](https://www.amazon.com/Health-Care-7371-Ampule-Opener/dp/B00HYUN2W2/ref=sr_1_6?crd=2TYUY73PVFKAX&keywords=ampule+cutter+opener&qid=1649529532&sprefix=ampule+c%2Caps%2C192&sr=8-6)> (Year: 2016).\*  
 Ampule Snapper, Mar. 20, 2008, youtube.com [online], [site visited Apr. 8, 2022], Available from internet, URL: <[https://www.amazon.com/Wheaton-Science-Products-Plastic-Snapper/dp/B01HIQ4EW8/ref=sr\\_1\\_25?crd=3JJI849C9RF3Q&keywords=ampule+opener&qid=1649533698&sprefix=ampule+opene%2Caps%2C85&sr=8-25](https://www.amazon.com/Wheaton-Science-Products-Plastic-Snapper/dp/B01HIQ4EW8/ref=sr_1_25?crd=3JJI849C9RF3Q&keywords=ampule+opener&qid=1649533698&sprefix=ampule+opene%2Caps%2C85&sr=8-25)> (Year: 2008).\*

\* cited by examiner

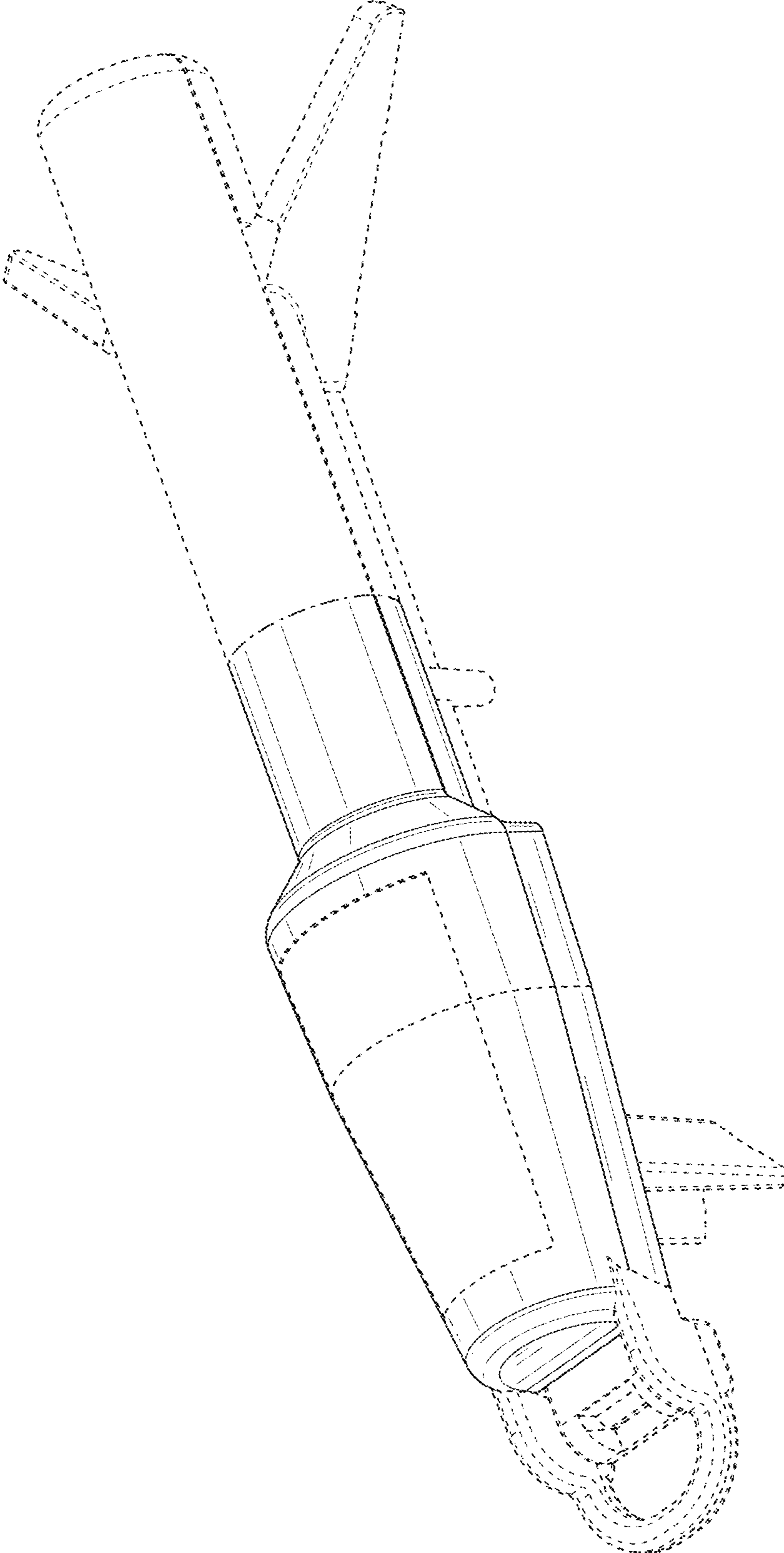


FIG. 1

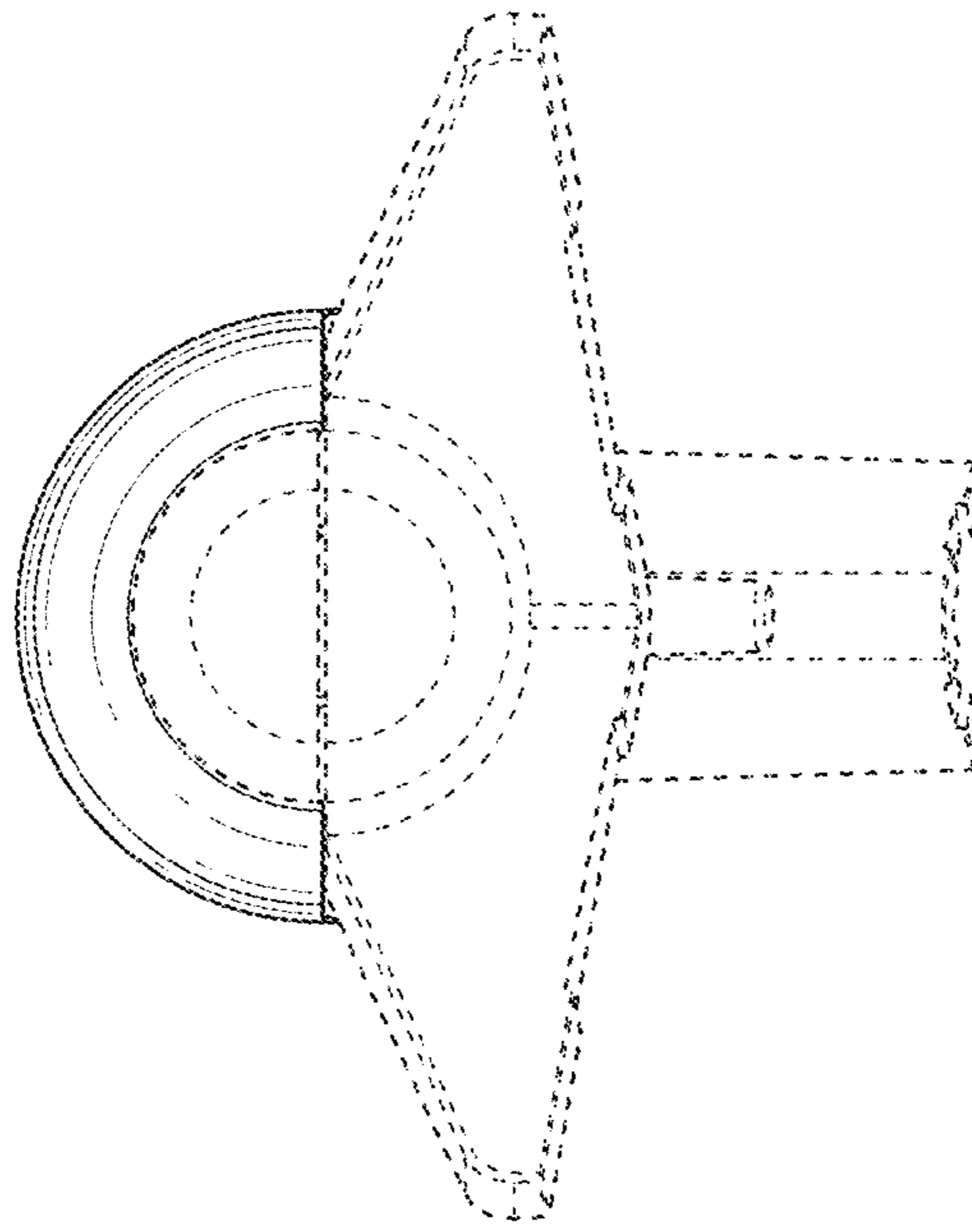


FIG. 3

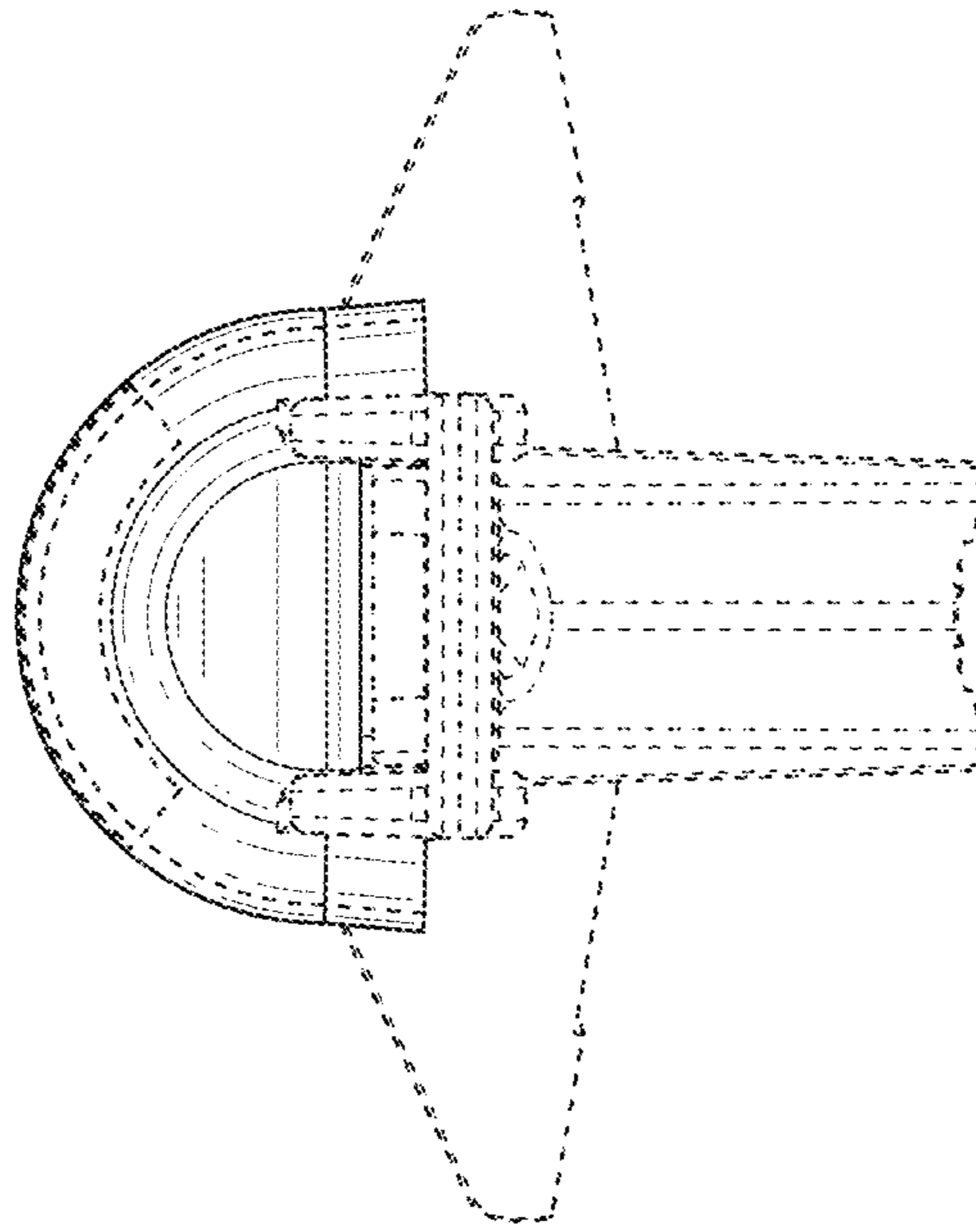


FIG. 2



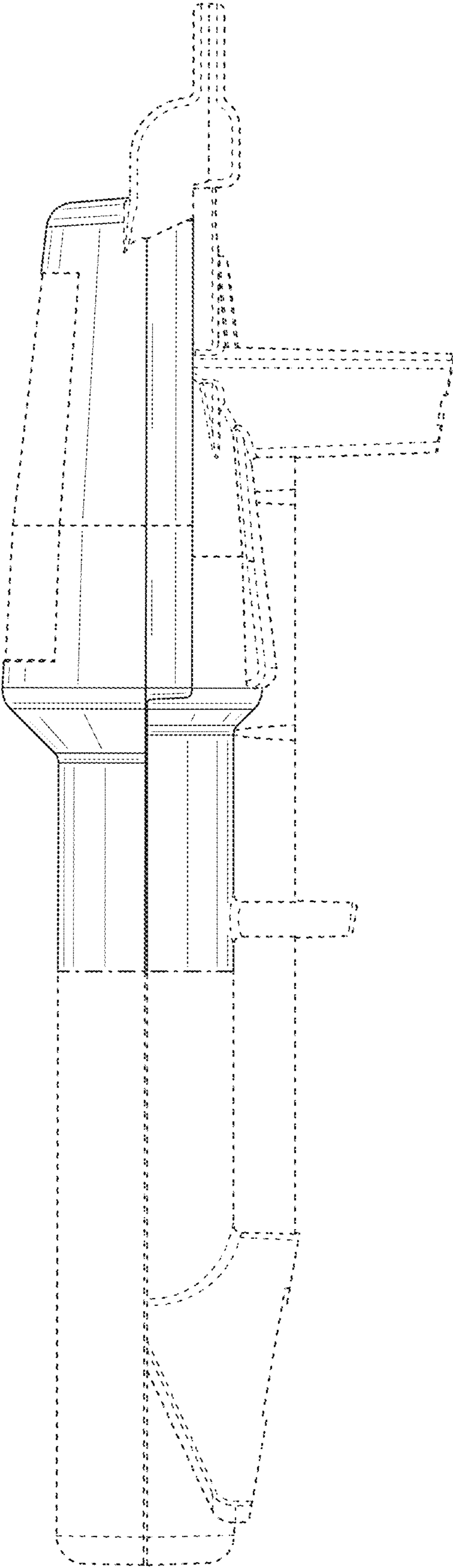


FIG. 4

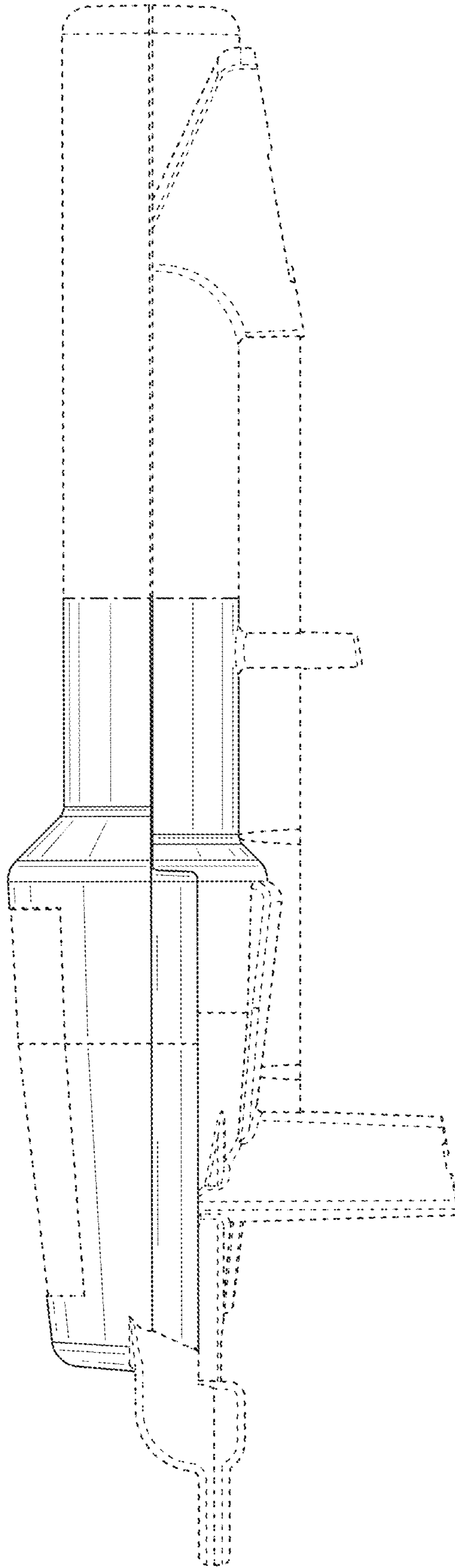


FIG. 5

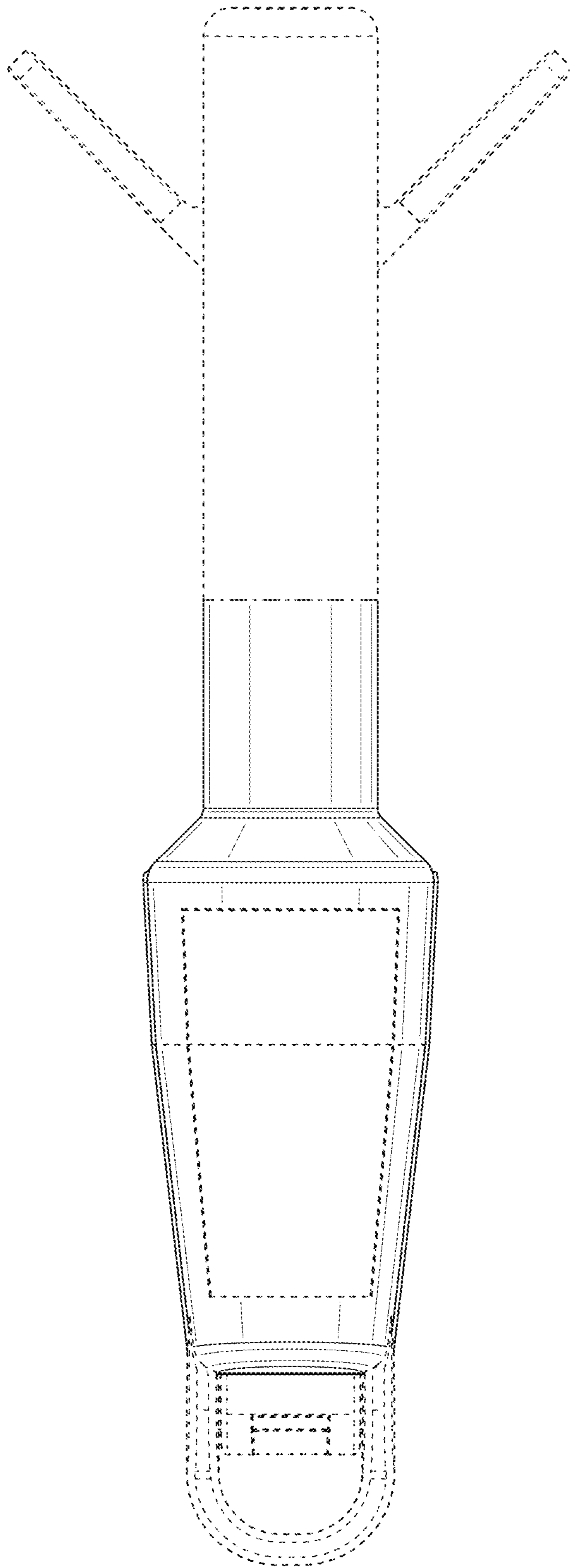


FIG. 6

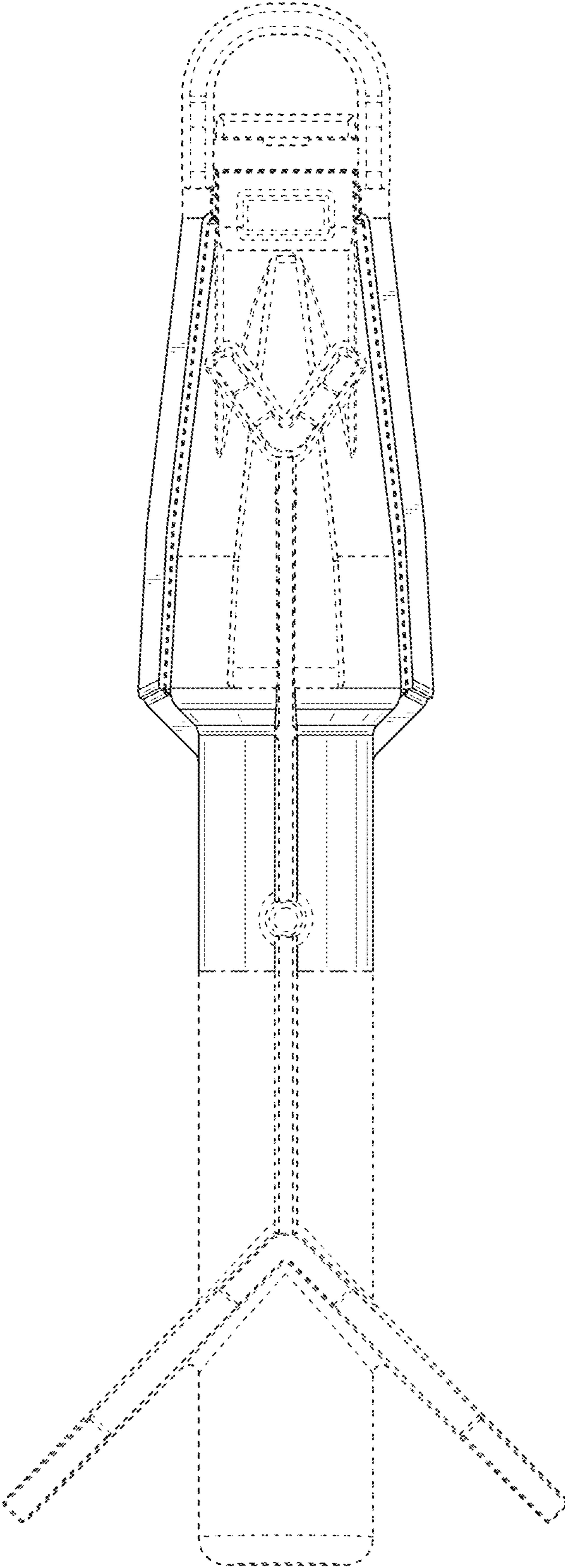


FIG. 7